

ASSEMBLY INSTRUCTION

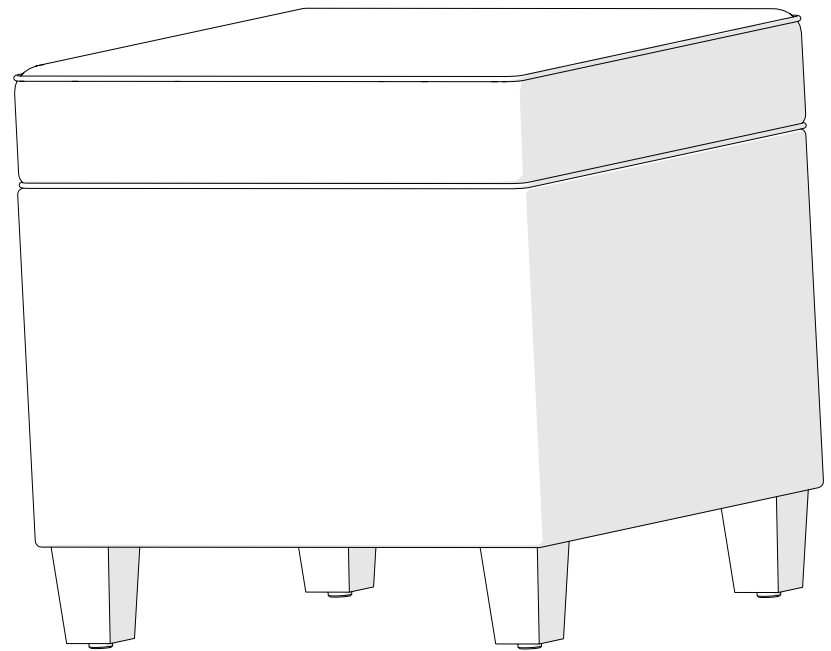


table of contents

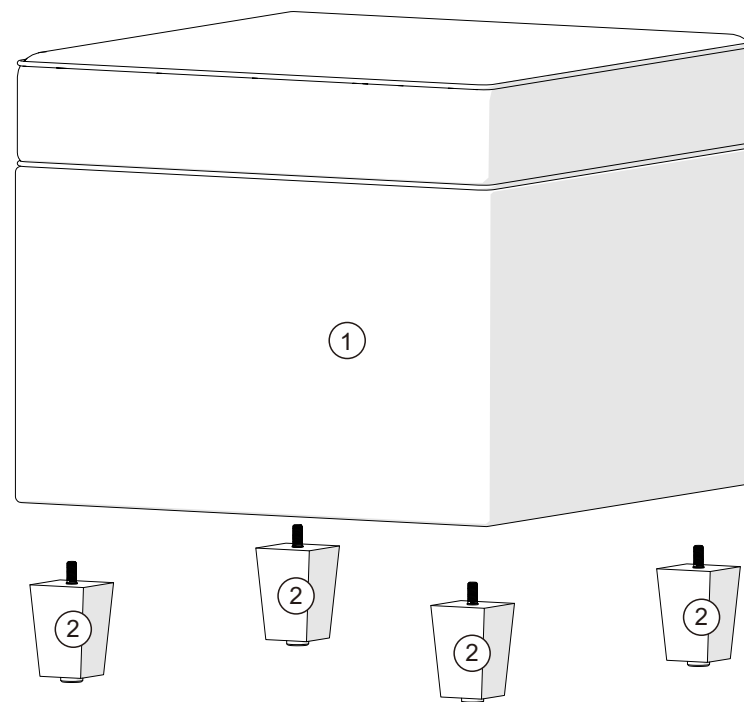


introduction	2
parts list	4
assembly	5

ITEM DESCRIPTION QUANTITY



①	box	1
②	leg	4



step 1.

1

