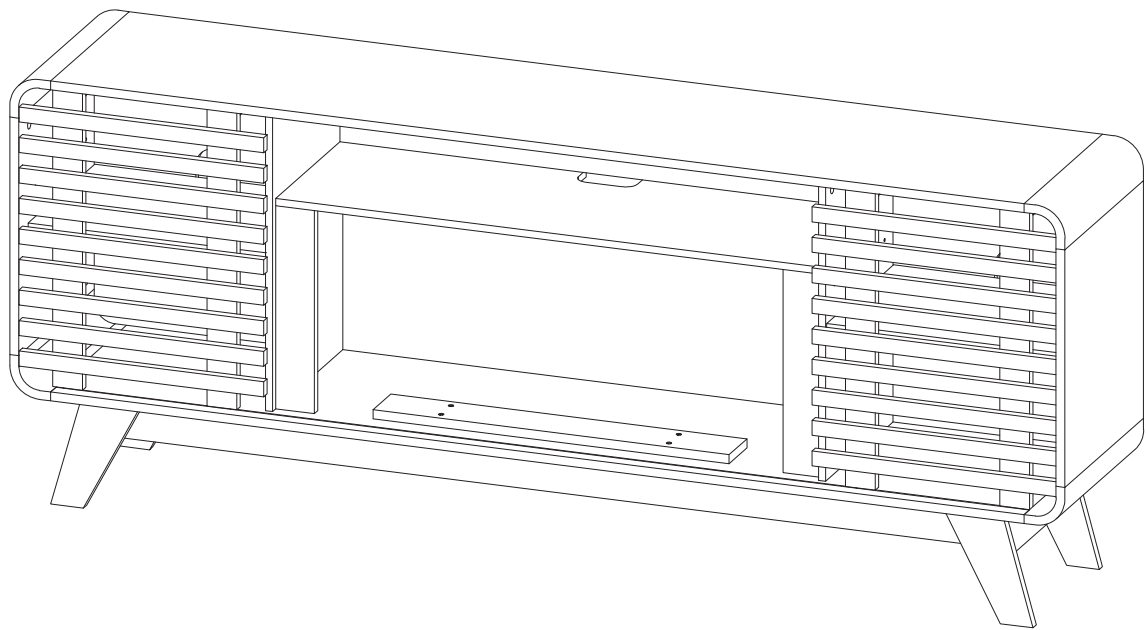


TV & Media Furniture

Television Stands & Entertainment Centers

Fireplace TV Stand for 70" TV



✉ (24/7):service@kmcglobe-us.com

☎ (USA) +1 213-816-4788

ATTENTION



1. The product must be assembled and used according to the manual. The seller is not liable for any damage caused by incorrect assembly or misuse.
2. Do not sit or stand on the product.
3. Place the item on a flat surface.
4. Keep small parts away from children to avoid choking hazards.
5. Keep product away from corrosive gases, liquids and dusty environment.
6. Keep the original box(es) until assembly is complete or no quality issues need to be confirmed.

AFTER-SALE SERVICE

If you have any suggestions or encounter quality issues with our products, please contact us first. Our after-sales team will respond within 24 hours, and we will do our best to provide a solution until you are satisfied.

GUARANTEED CUSTOMER SERVICE

Your shopping experience is very important to us!

If you feel unsatisfied or have any questions, just contact us without any hesitation!

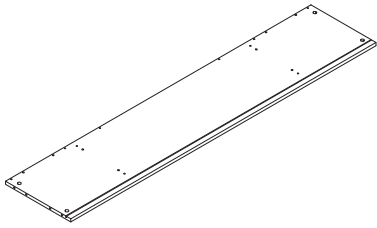
If you want to share how wonderful our smart product makes your home, you can share your pictures with us!

For further information, contacts immediately:

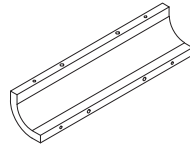


service@kmcglobe-us.com

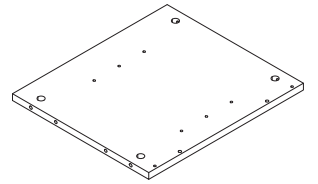
PARTS



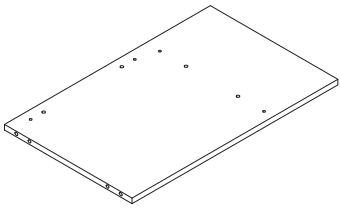
A × 1



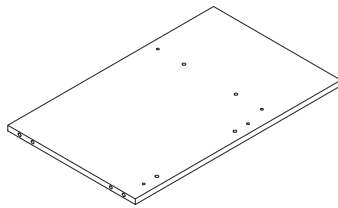
B × 4



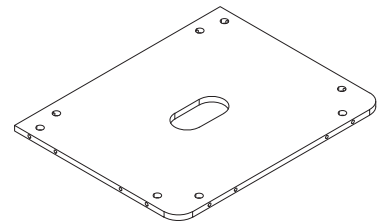
C × 2



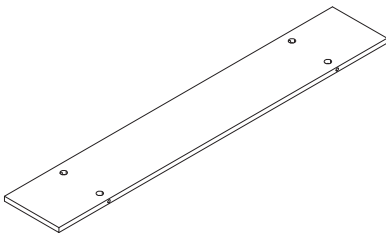
D × 1



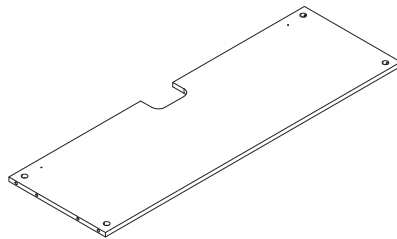
E × 1



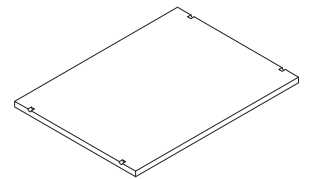
F × 2



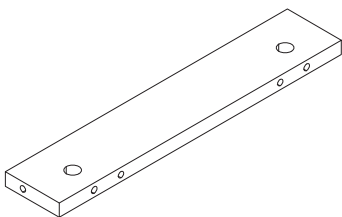
G × 1



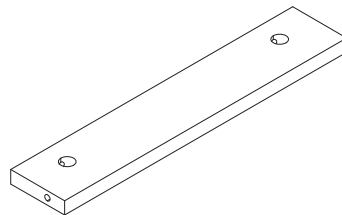
H × 1



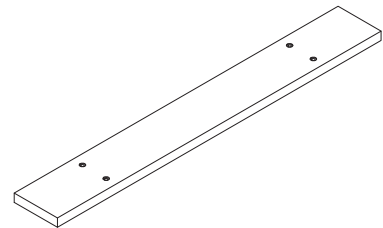
I × 2



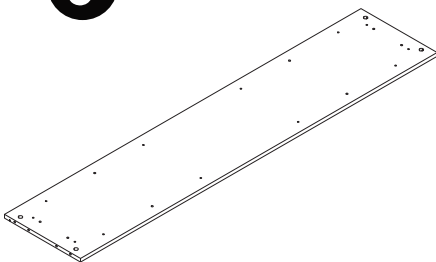
J × 1



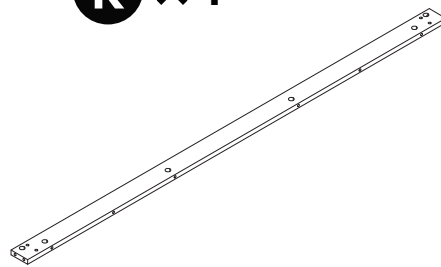
K × 1



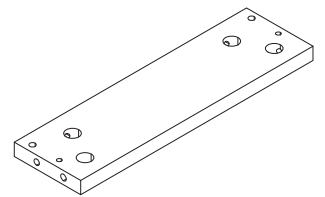
L × 1



M × 1

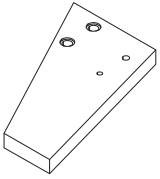


N × 2

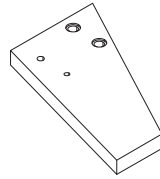


O × 2

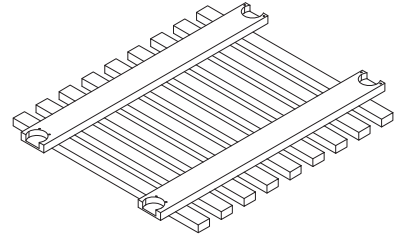
PARTS



P × 2

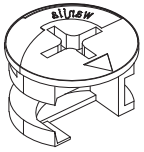


Q × 2



R × 2

HARDWARE



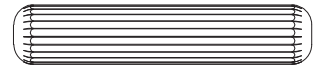
Φ15x9.5mm

1 × 72



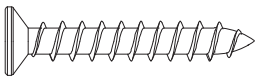
Φ6.5x35mm

2 × 72



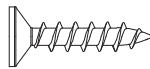
Φ6x30mm

3 × 66



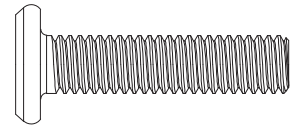
Φ4x25mm

4 × 4



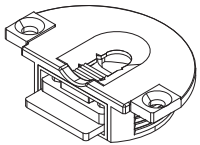
Φ3.5x14mm

5 × 20

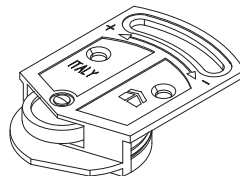


M6x25mm

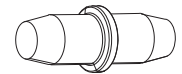
6 × 8



7 × 4



8 × 4



Φ5x17mm

9 × 8



Φ4x12mm

10 × 2 set



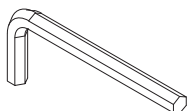
Φ4x40mm



Φ6x30mm



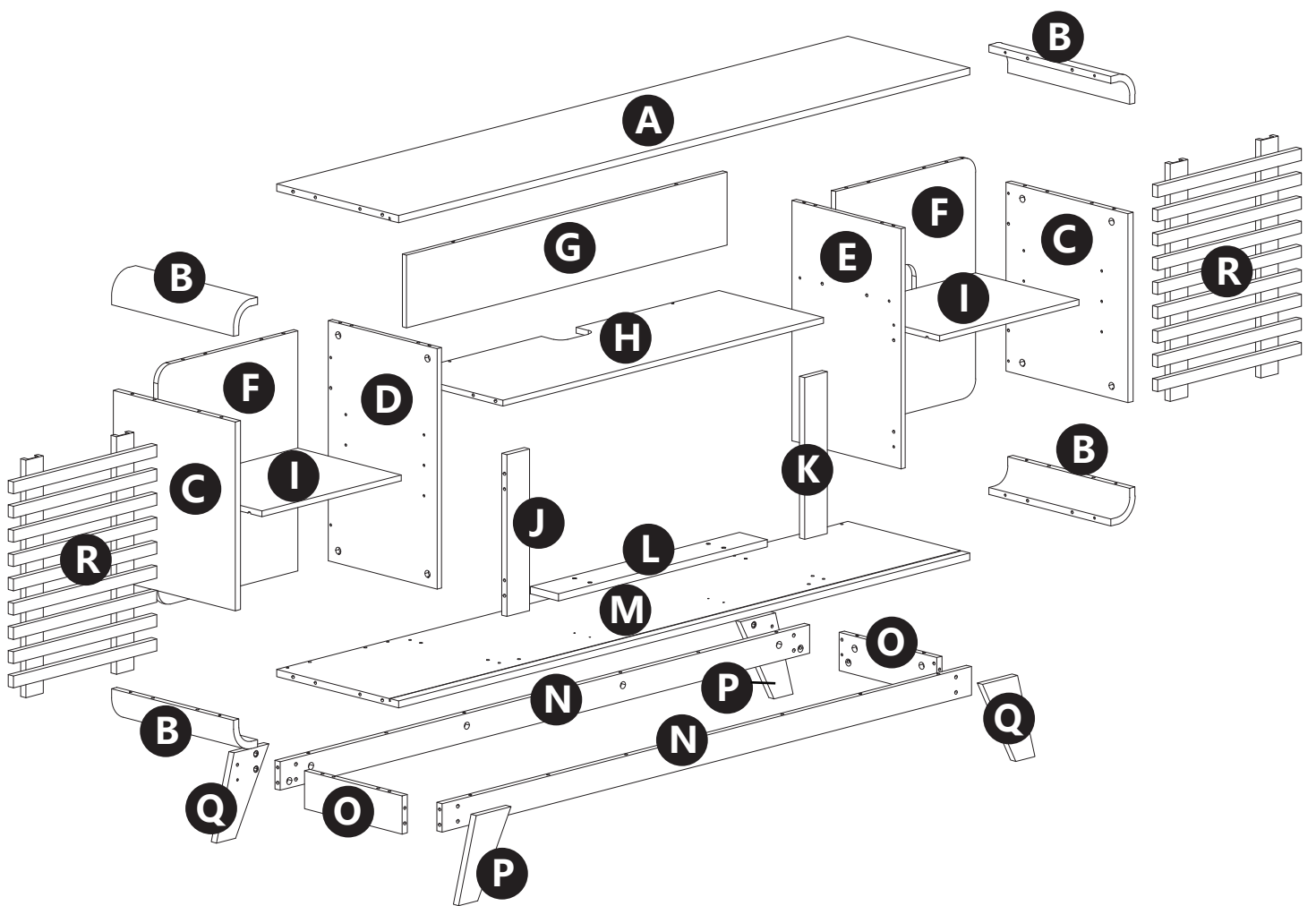
75x15x24mm



M4X65mm

11 × 1

EXPLOSION VIEW



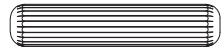
1



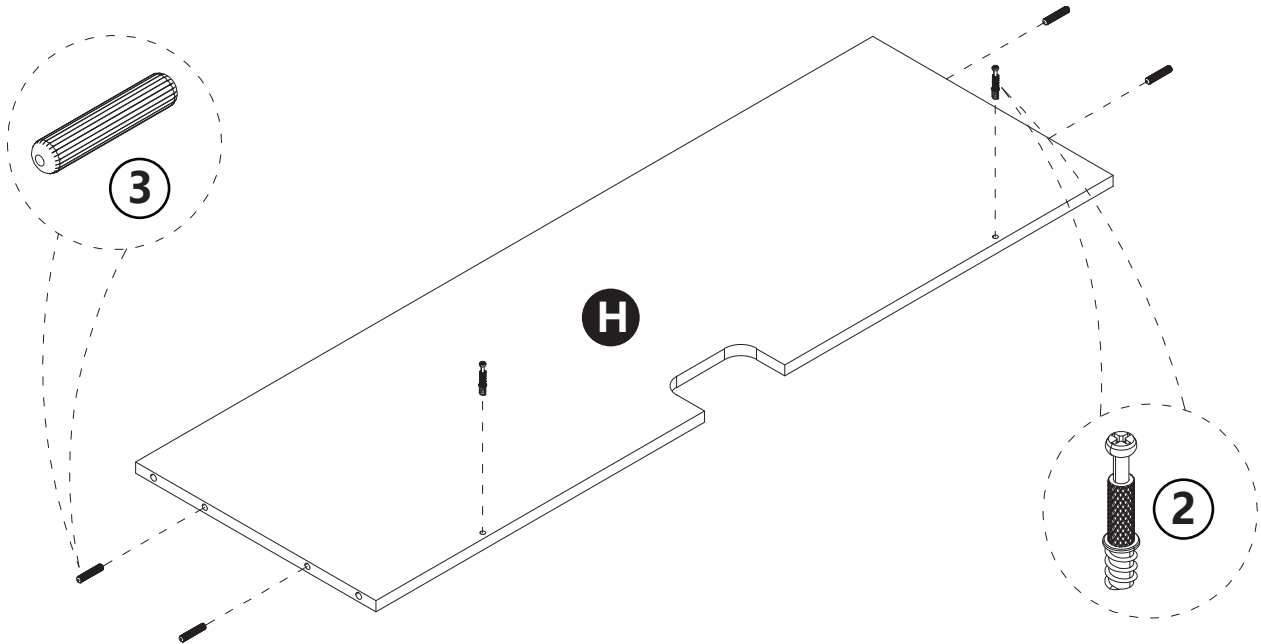
① x2



② x2



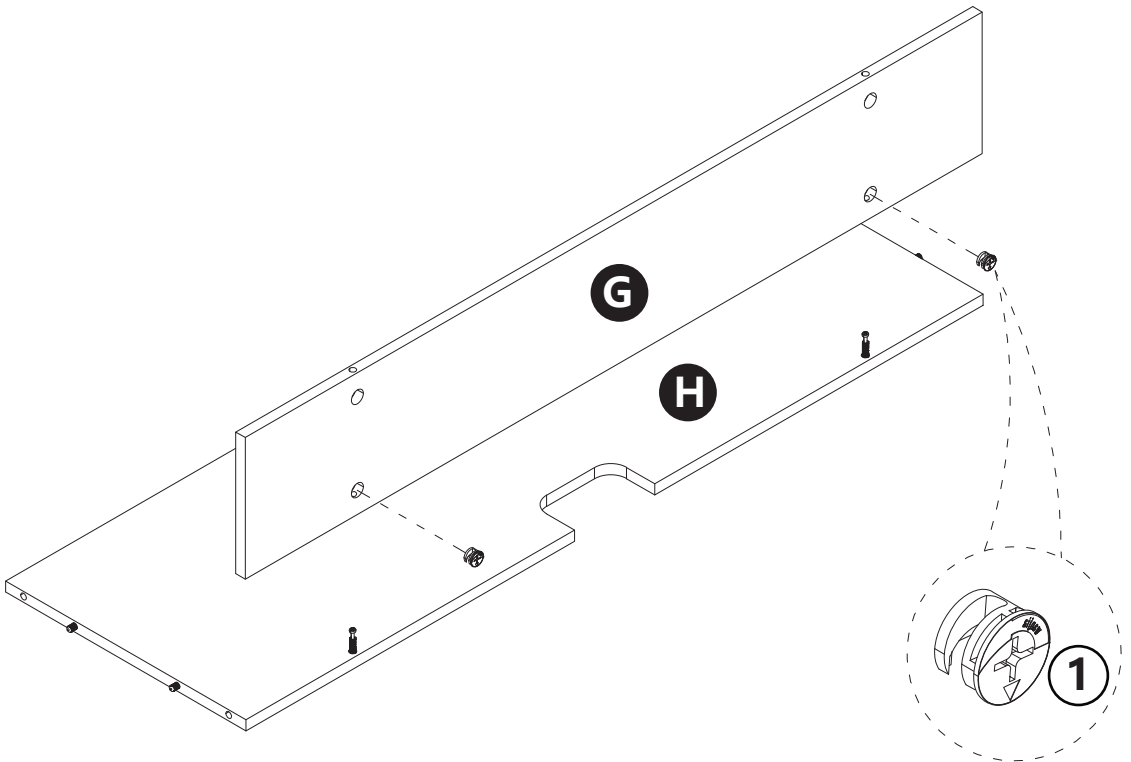
③ x4



③

H

②

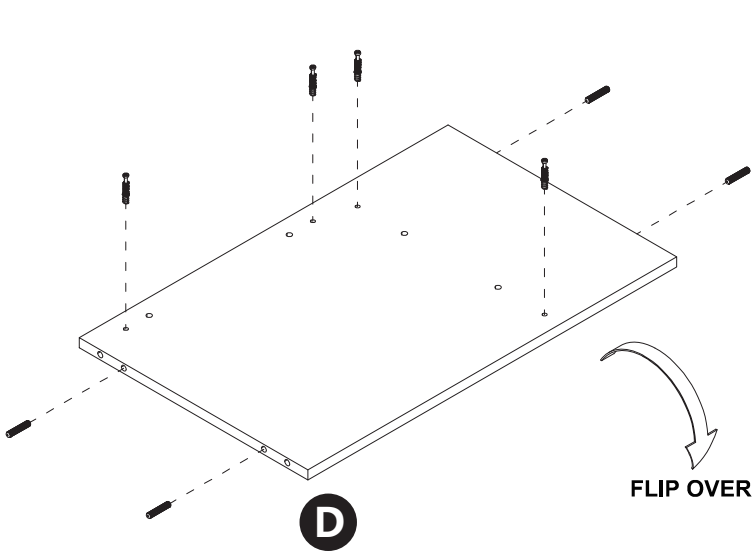
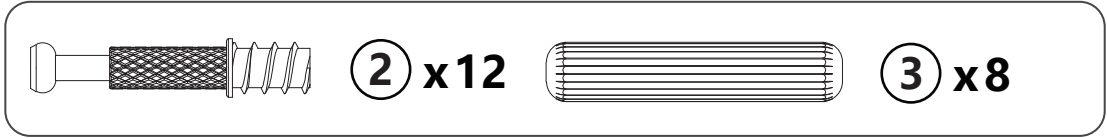


G

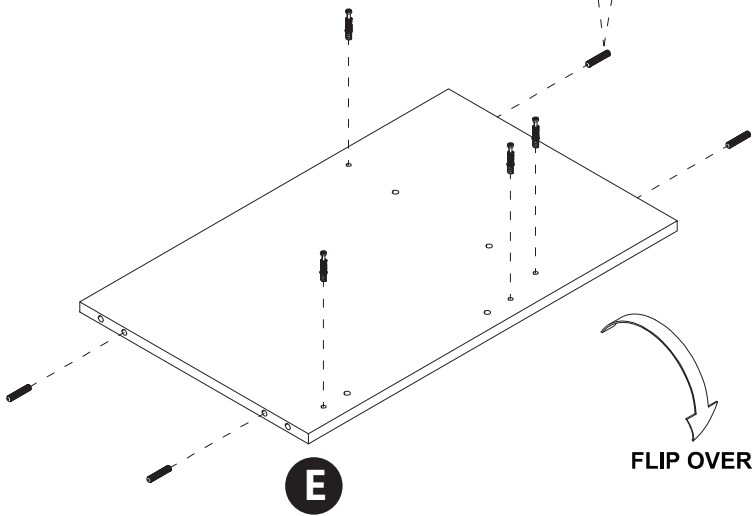
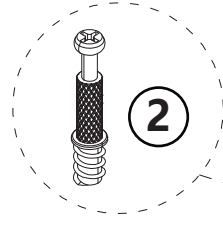
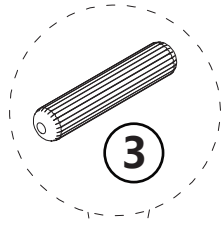
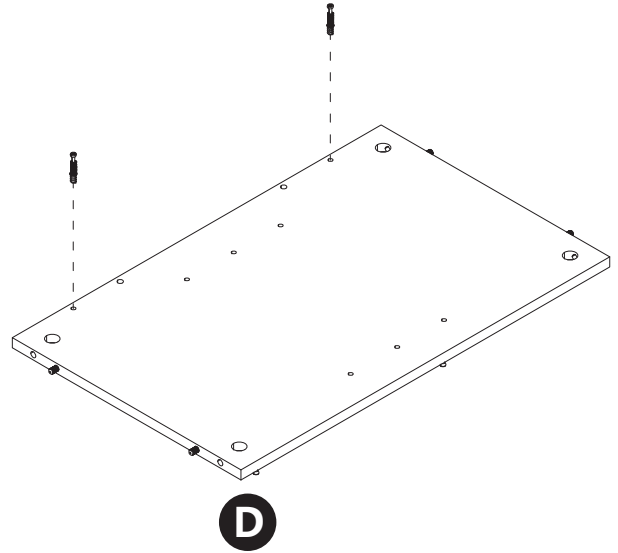
H

①

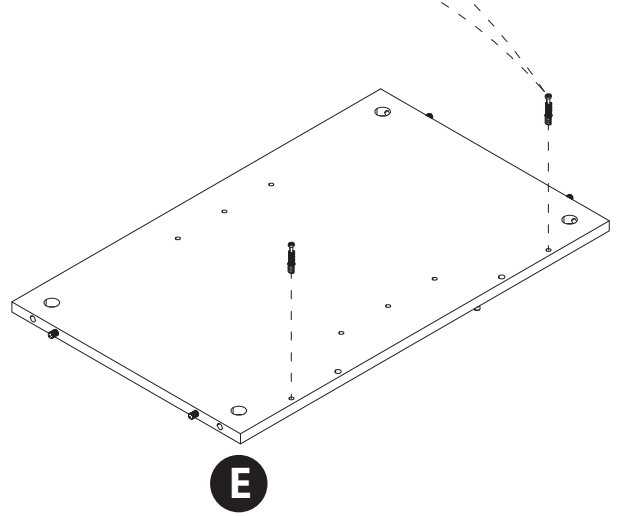
2



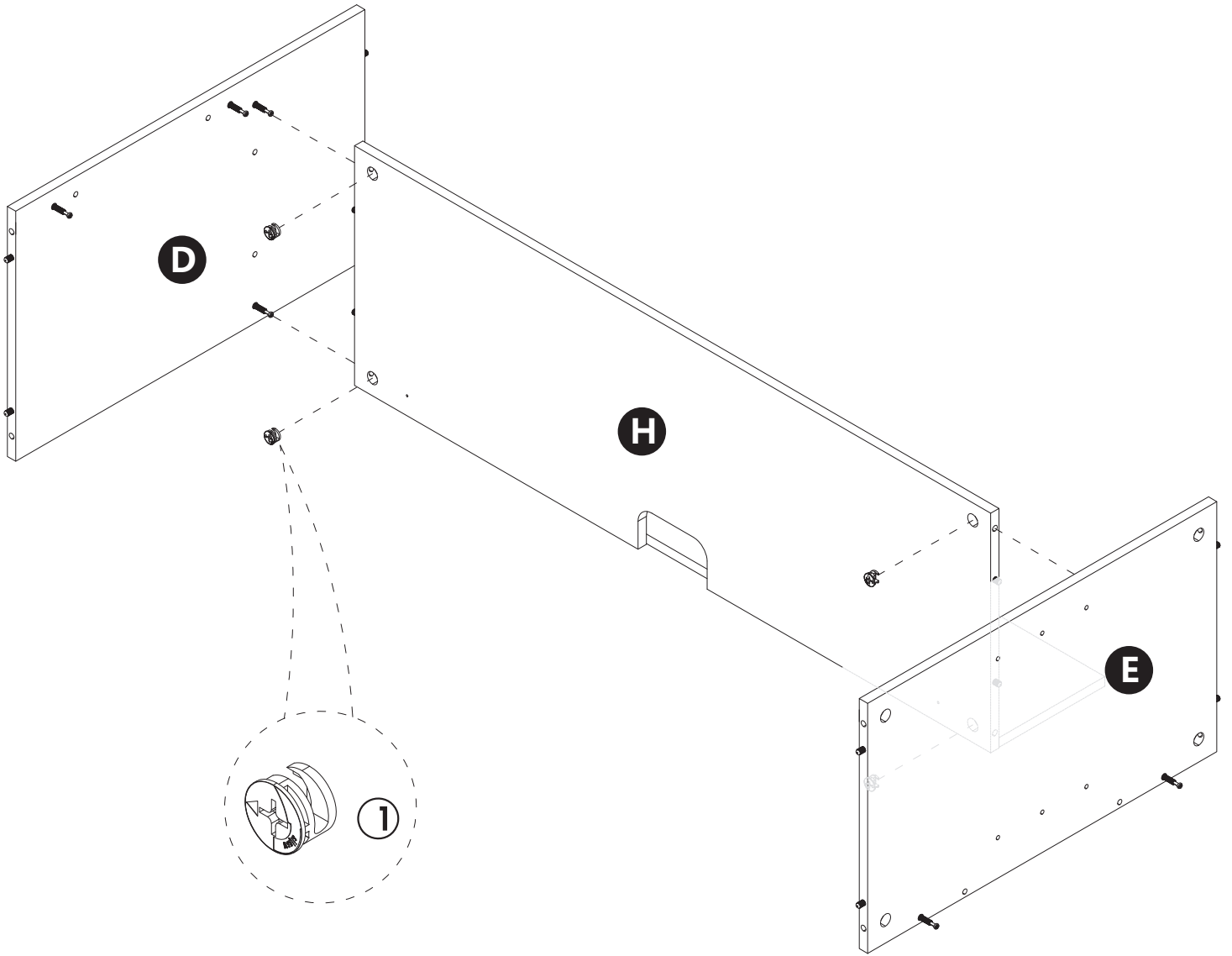
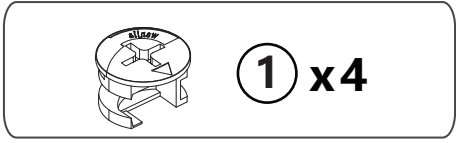
FLIP OVER



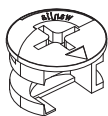
FLIP OVER



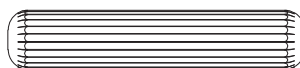
3



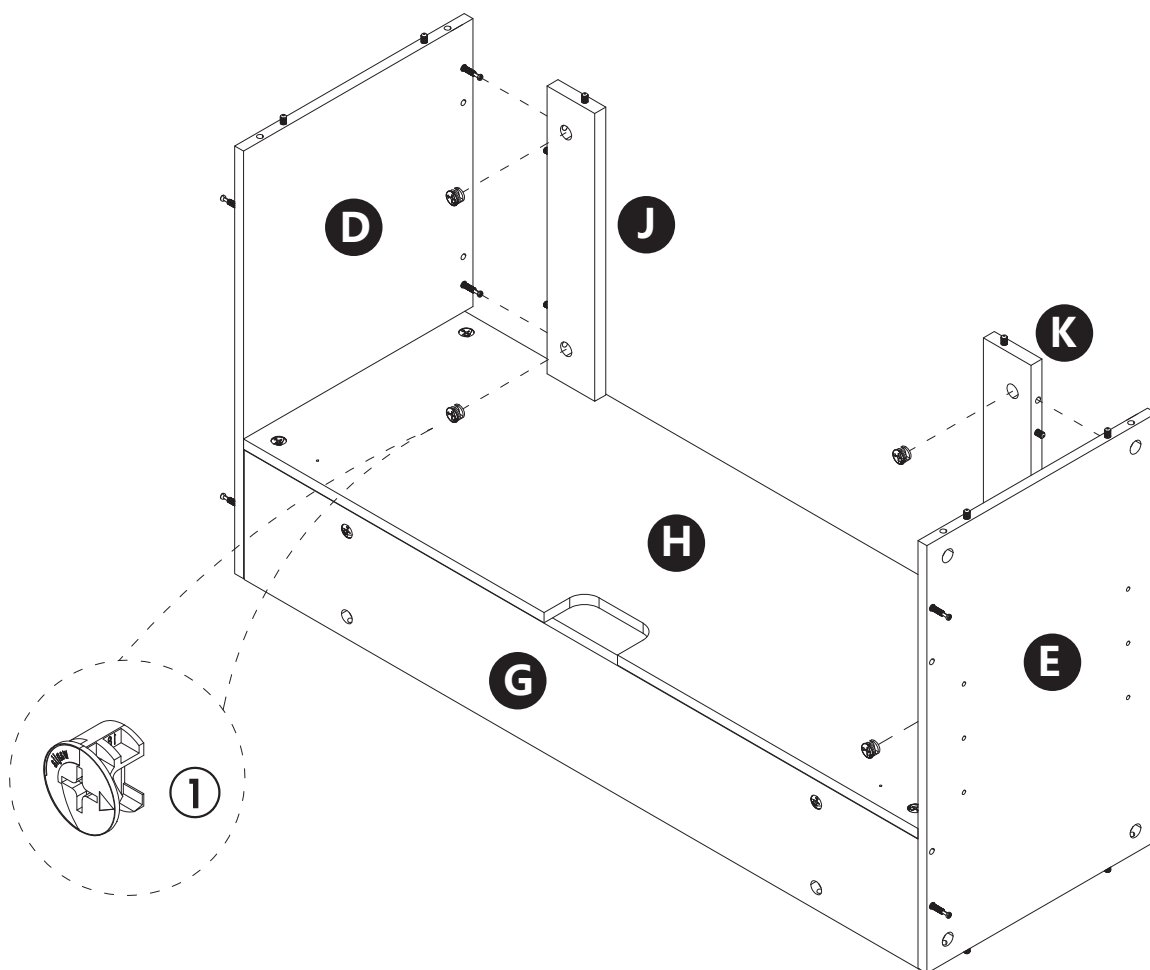
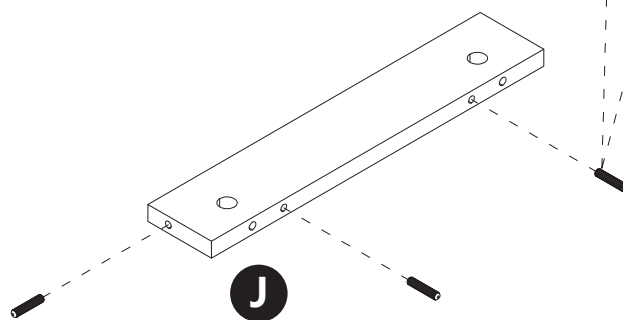
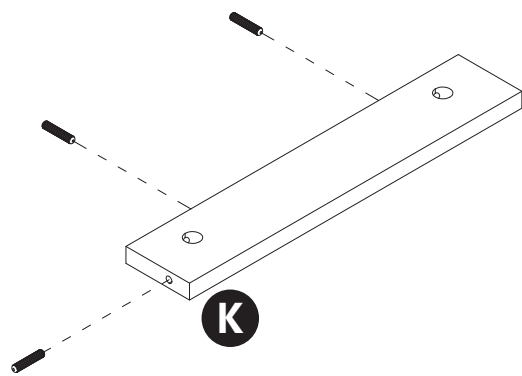
4



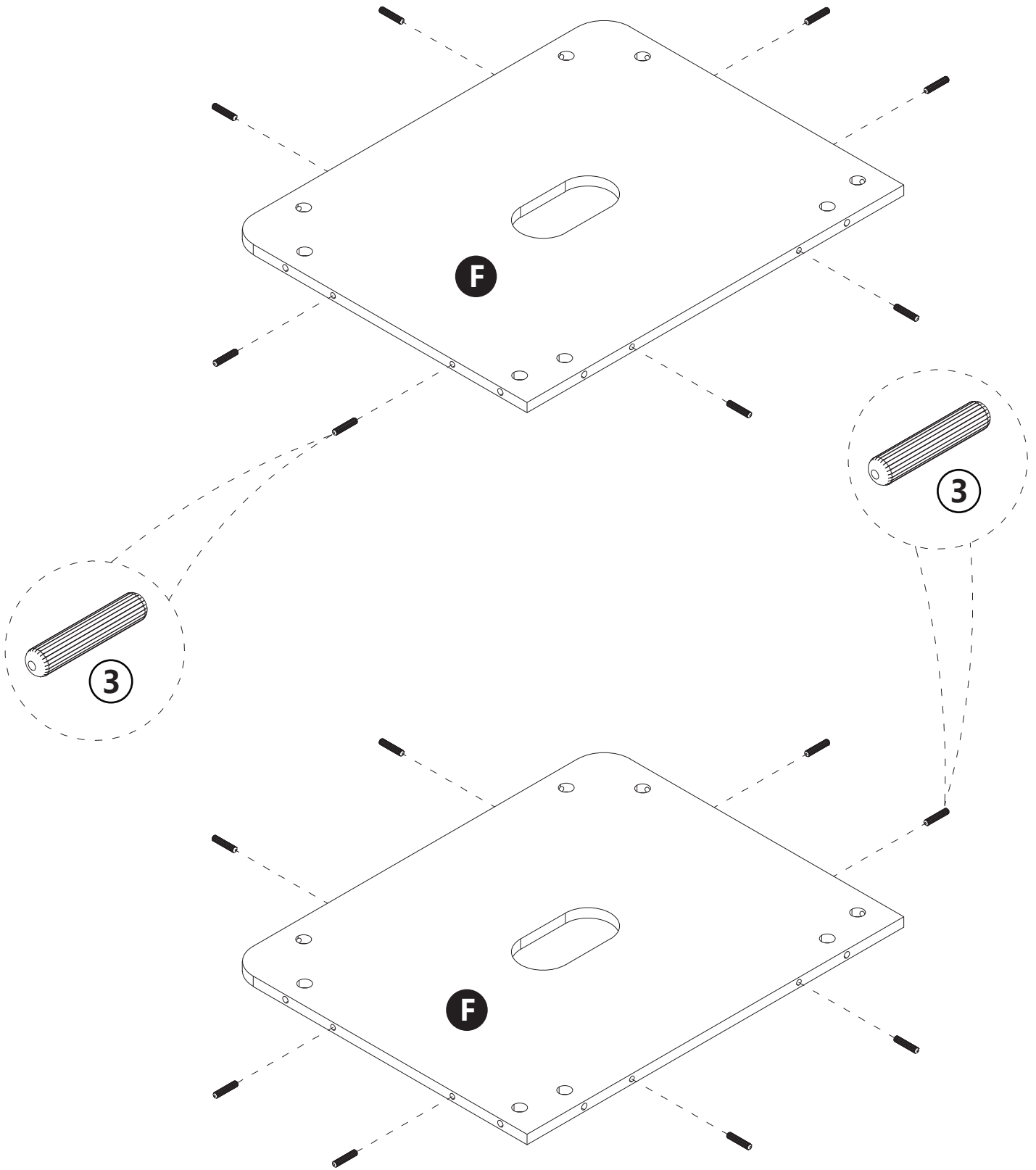
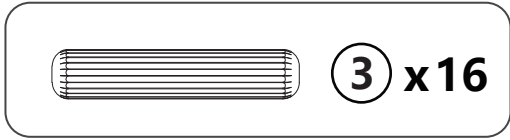
1 x4



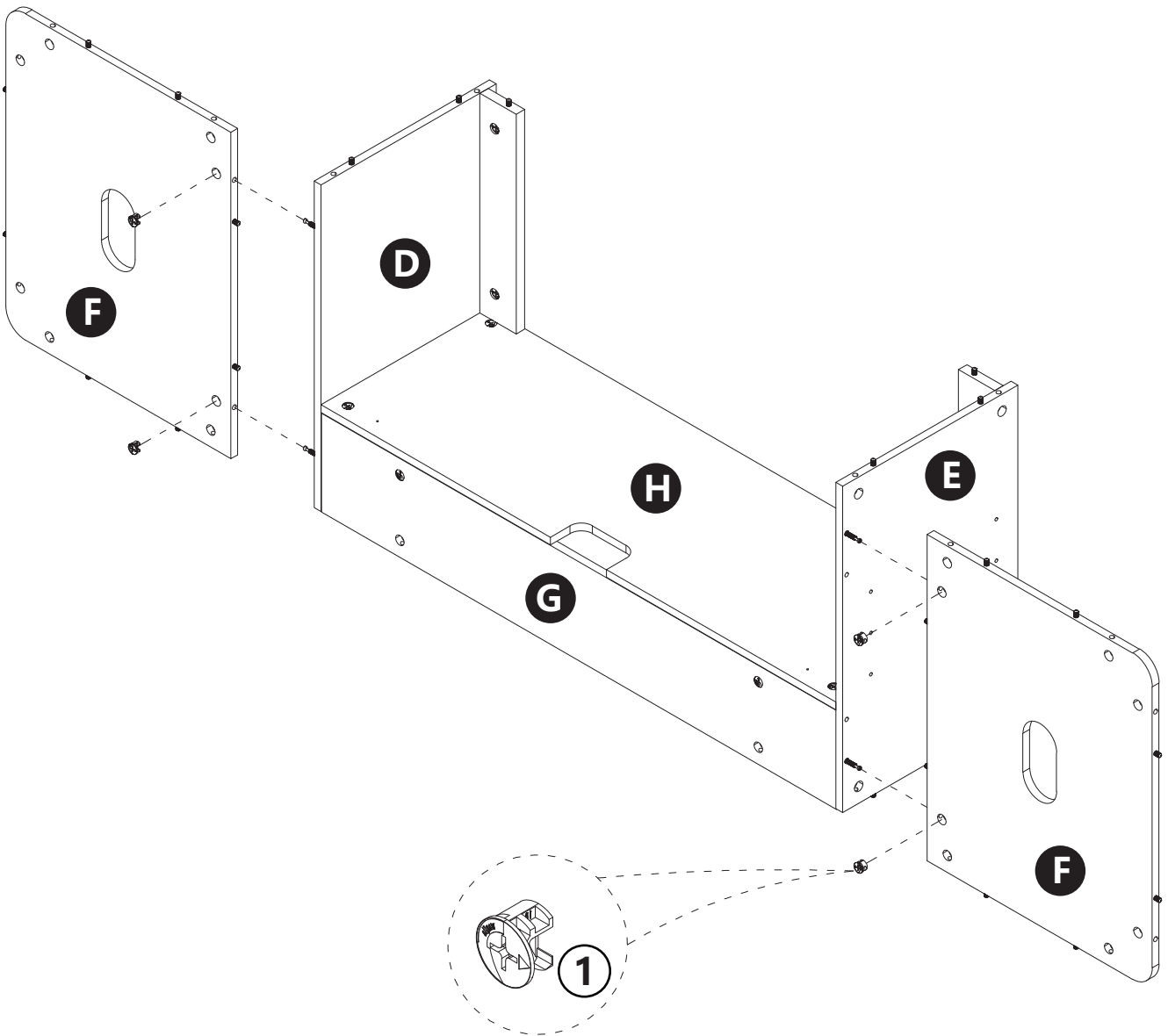
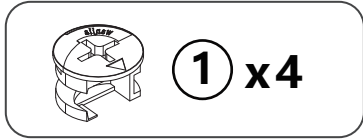
3 x6



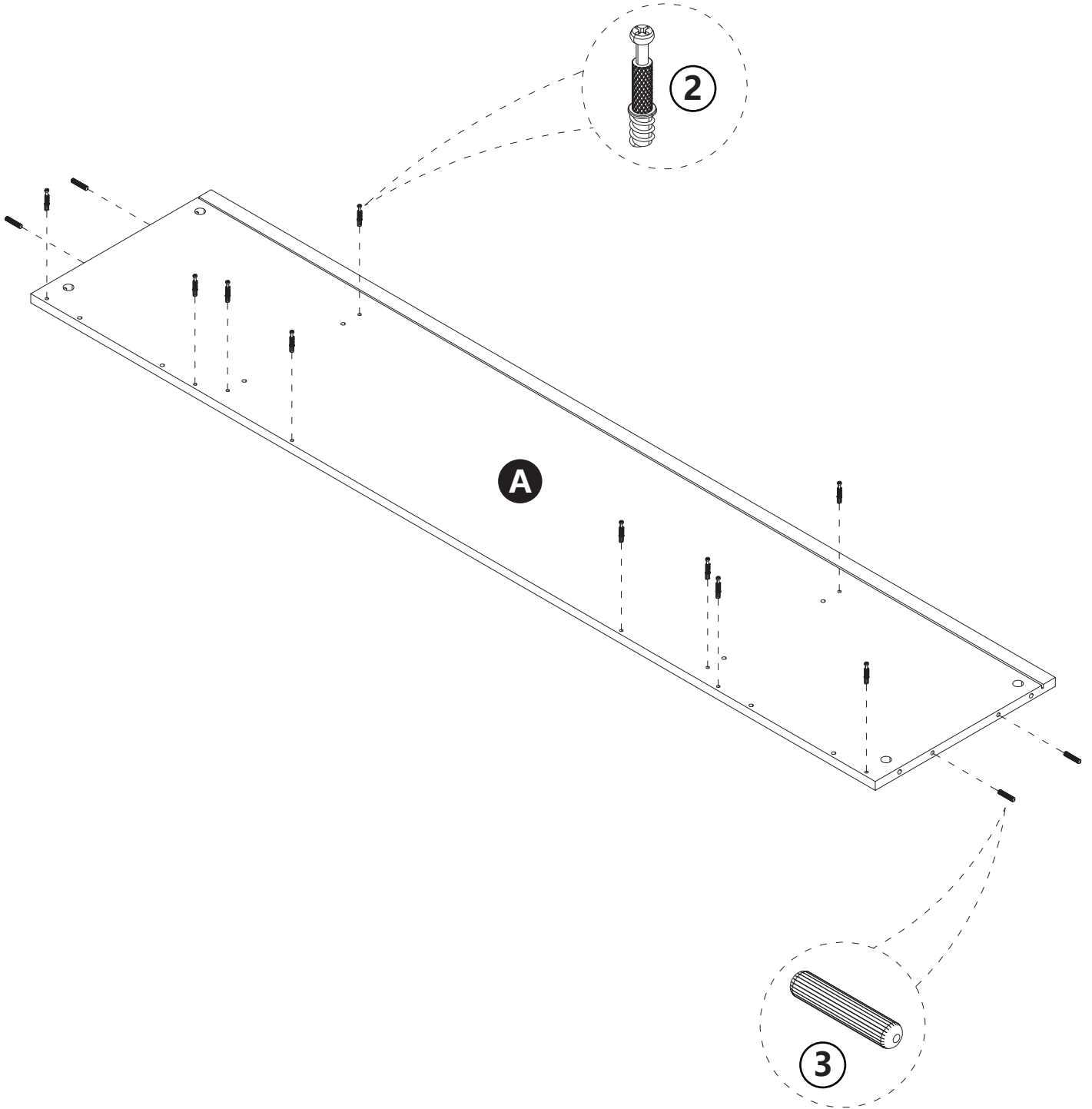
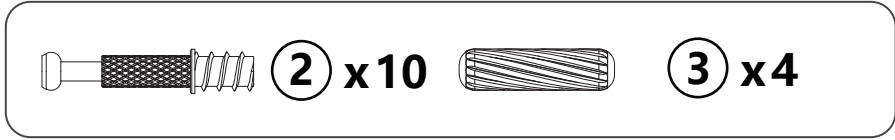
5



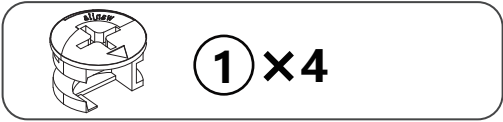
6



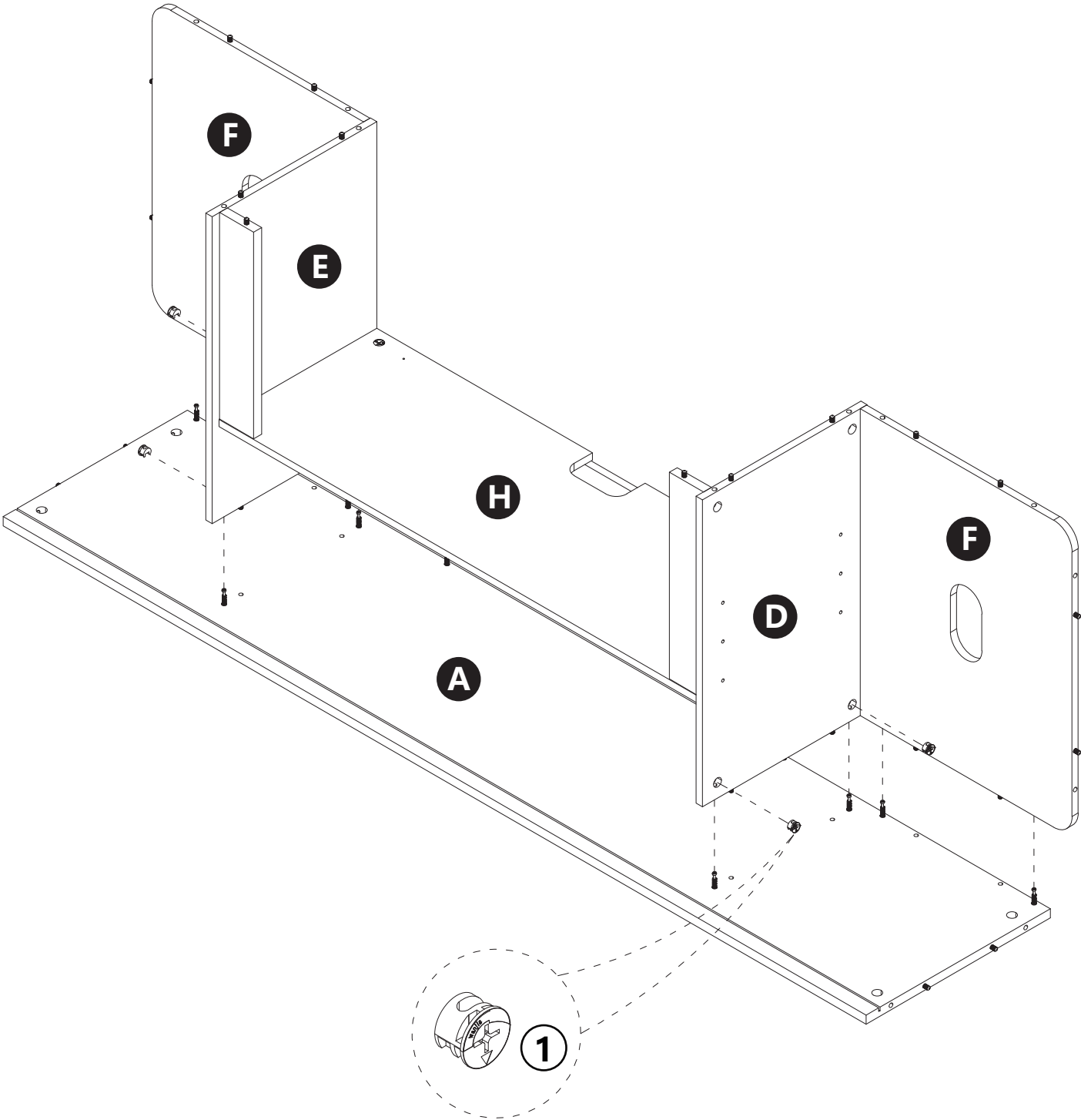
7



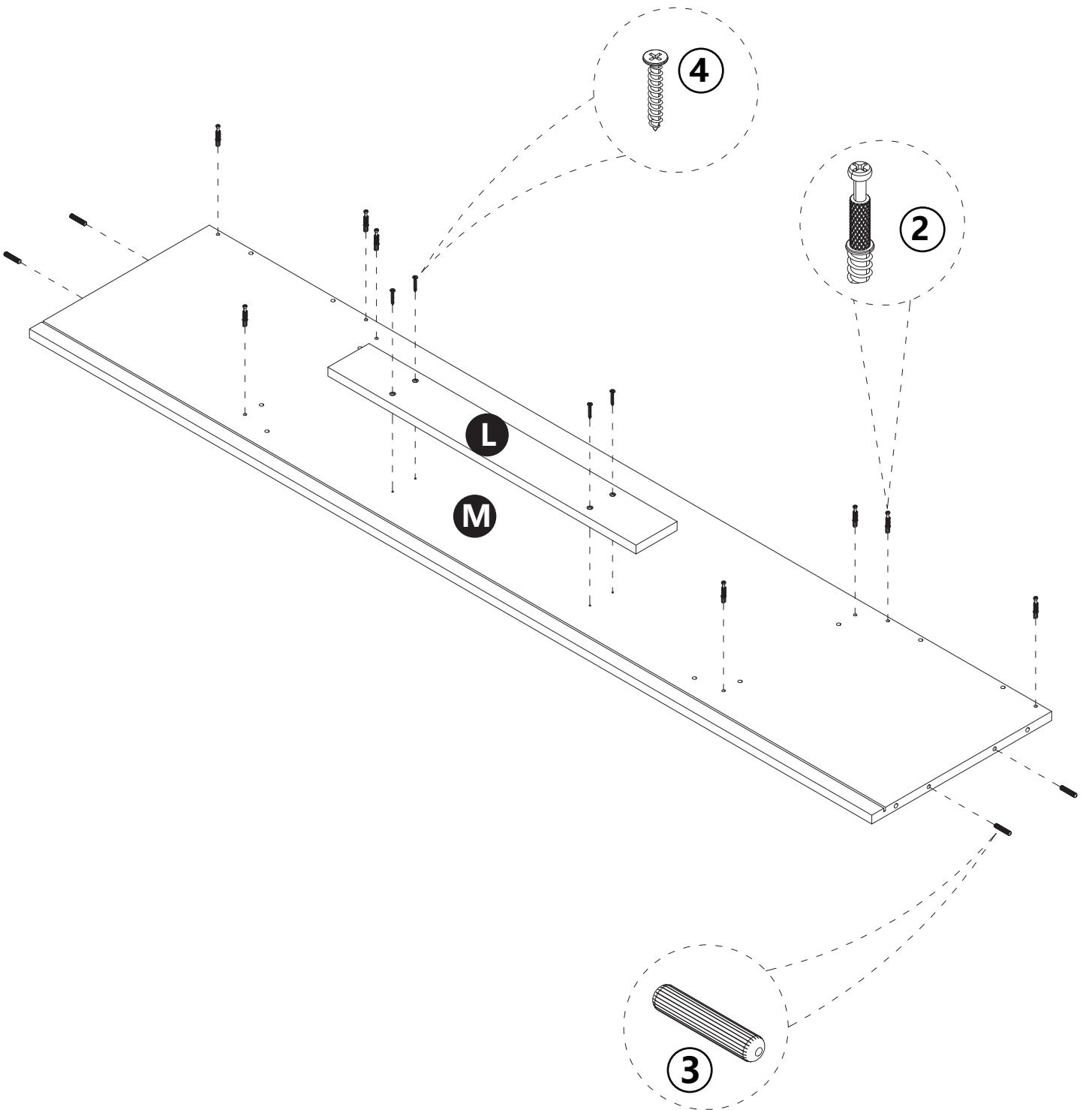
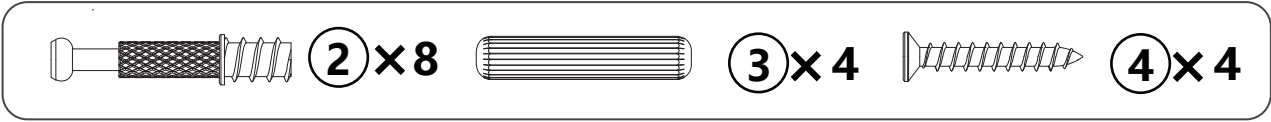
8



THIS STEP REQUIRES 2 PEOPLE



9

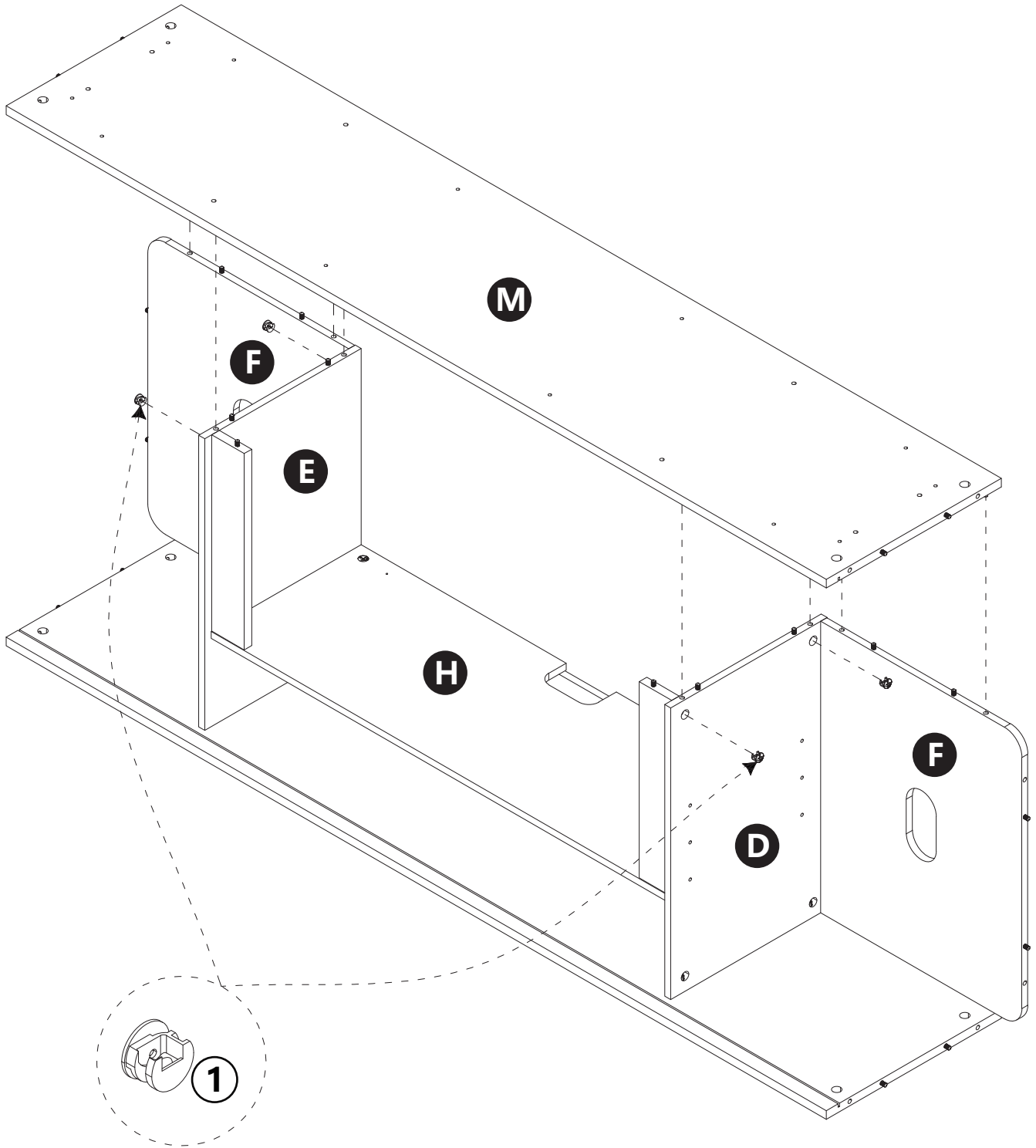


10



1 x 4

THIS STEP REQUIRES 2 PEOPLE



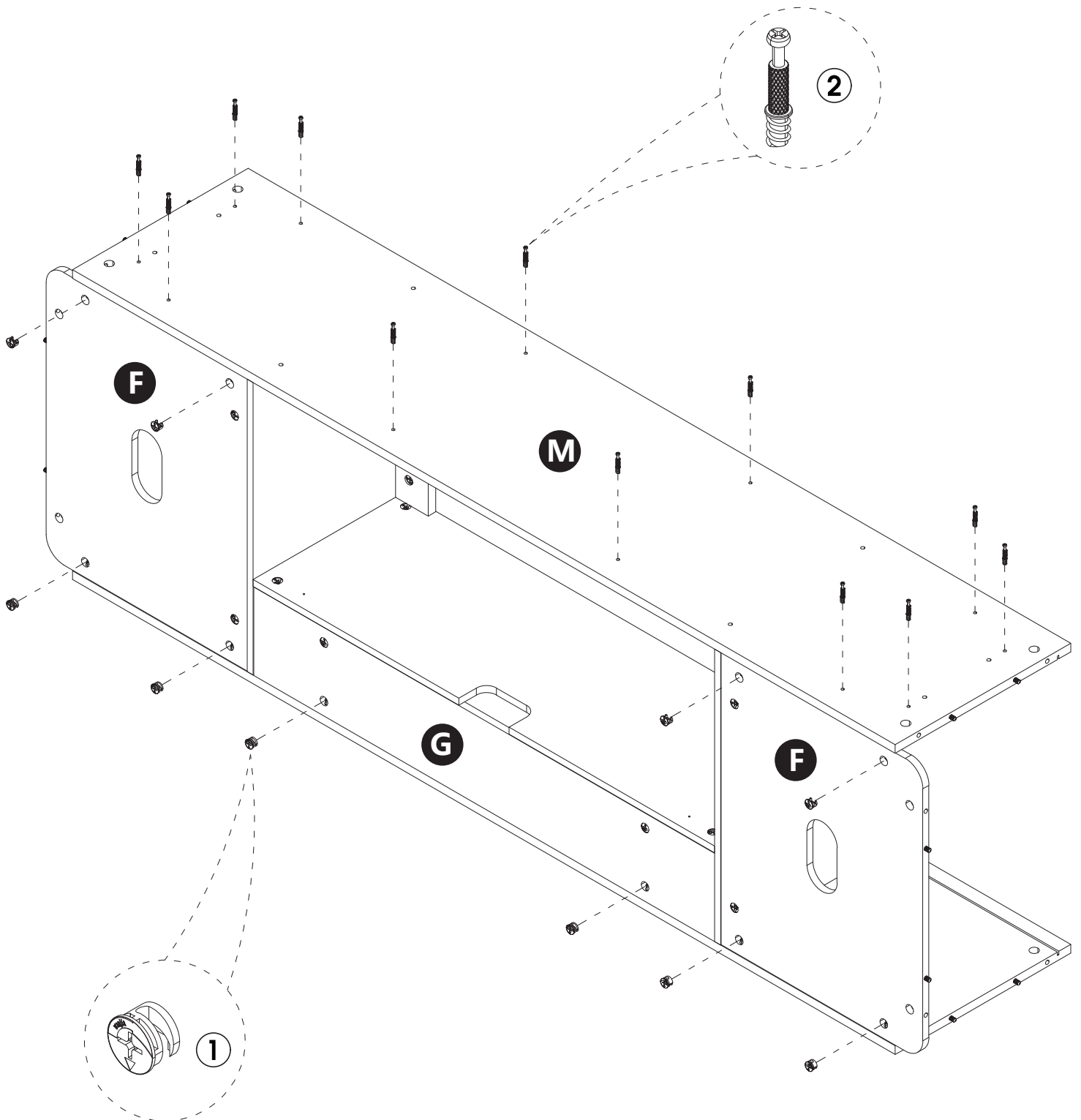
11



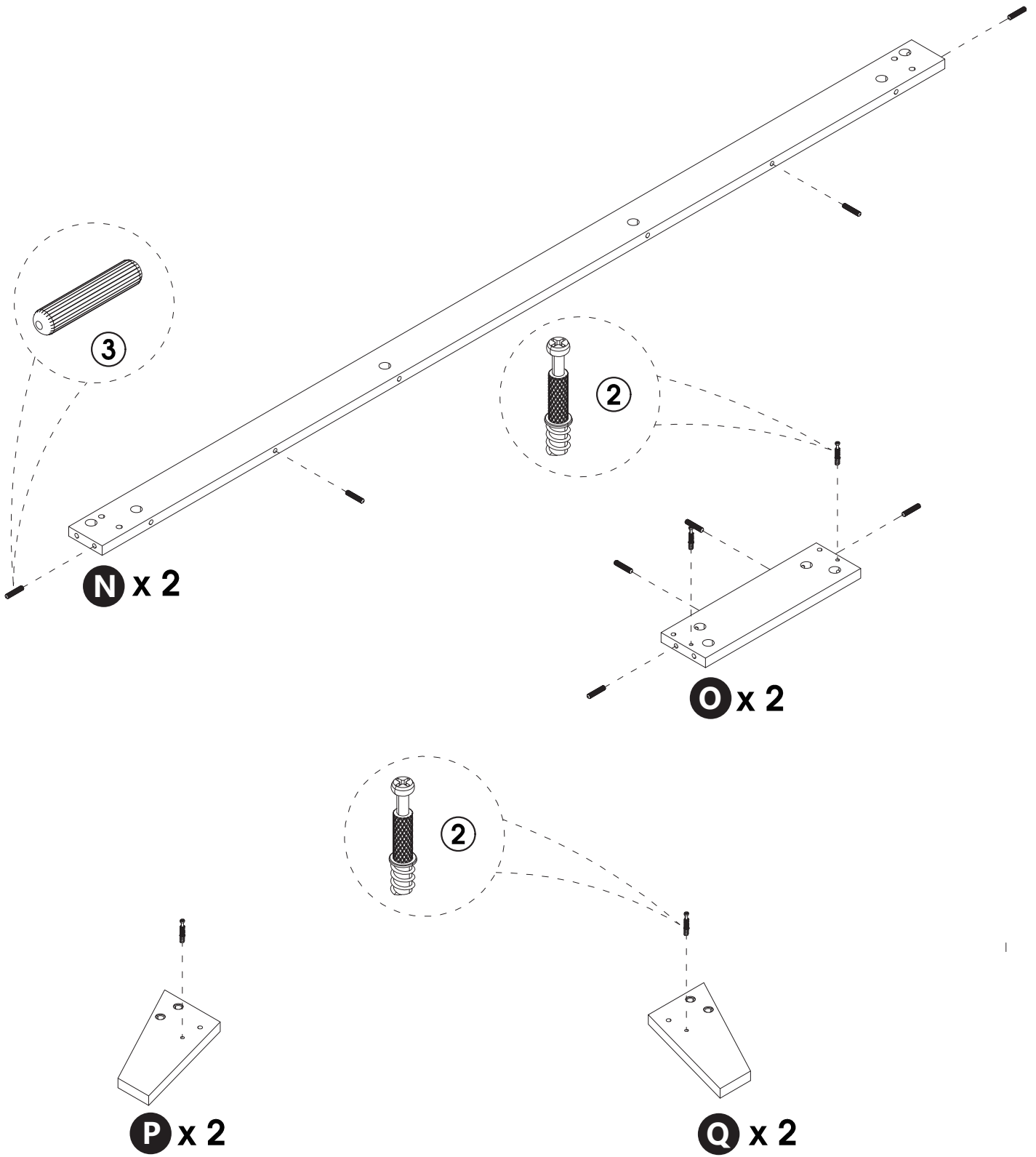
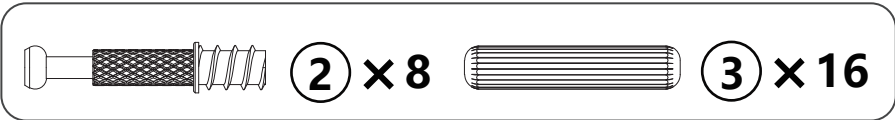
① x 10



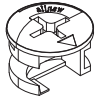
② x 12



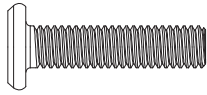
12



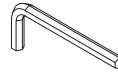
13



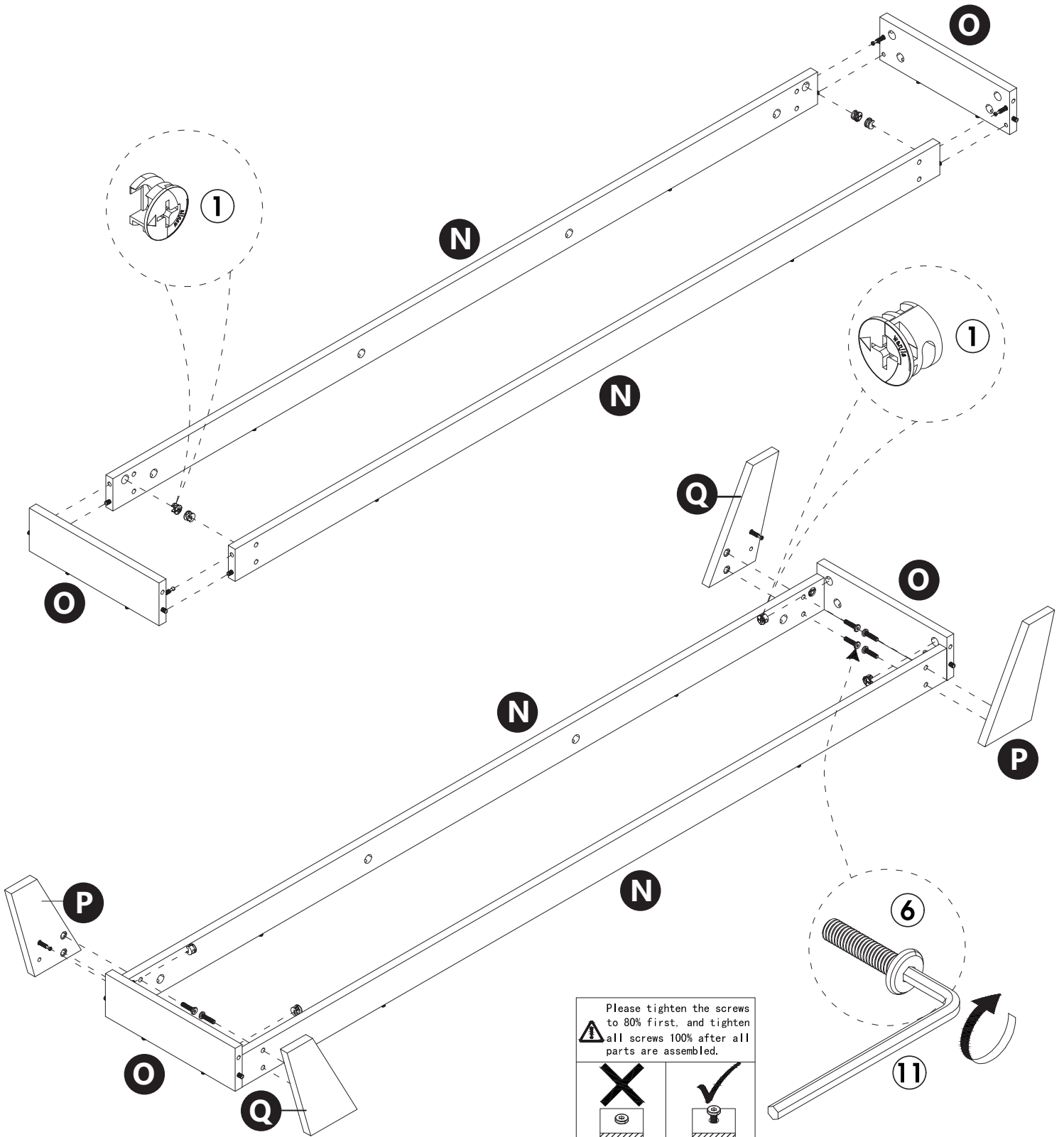
1 x 8



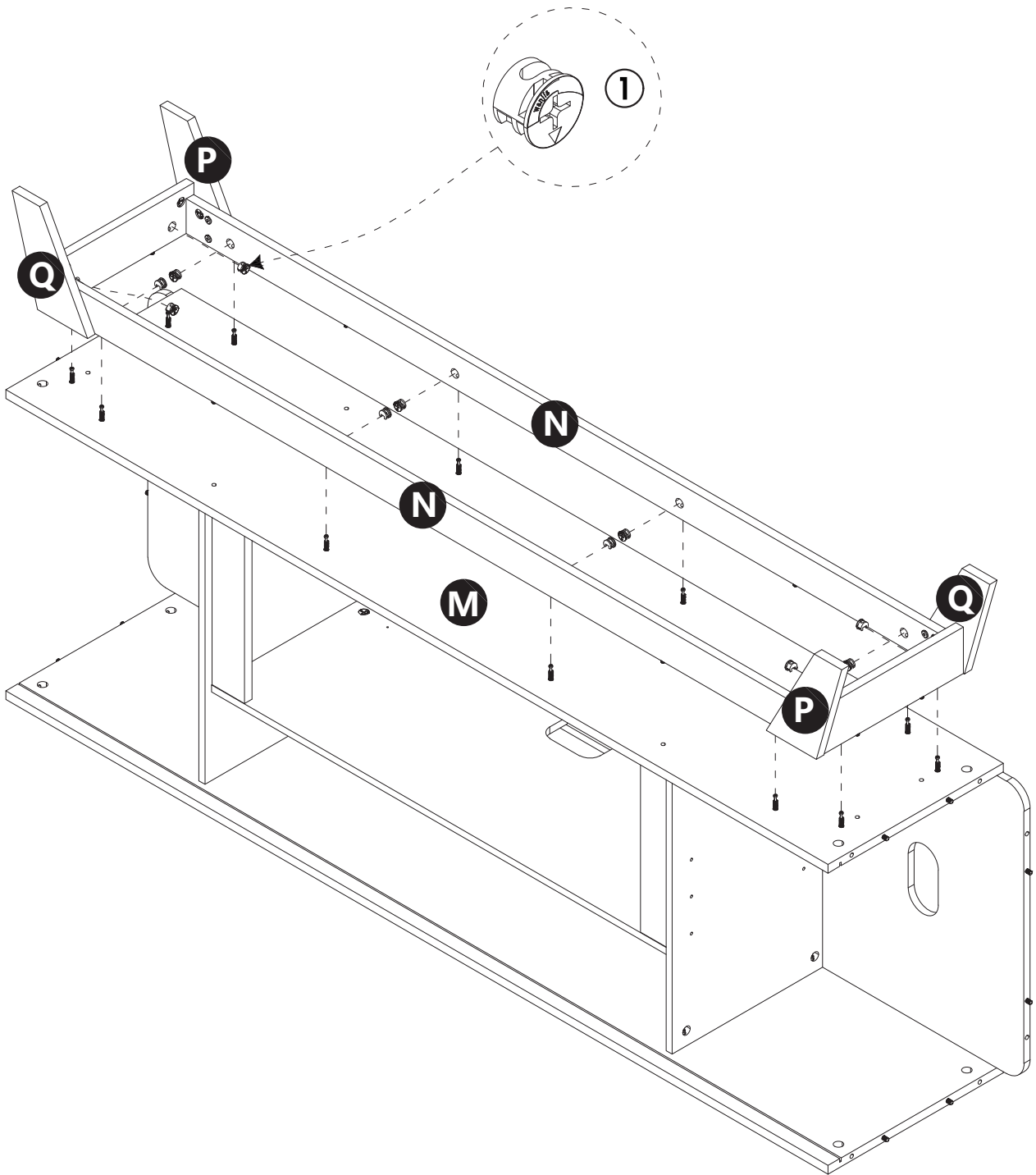
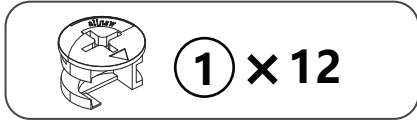
6 x 8



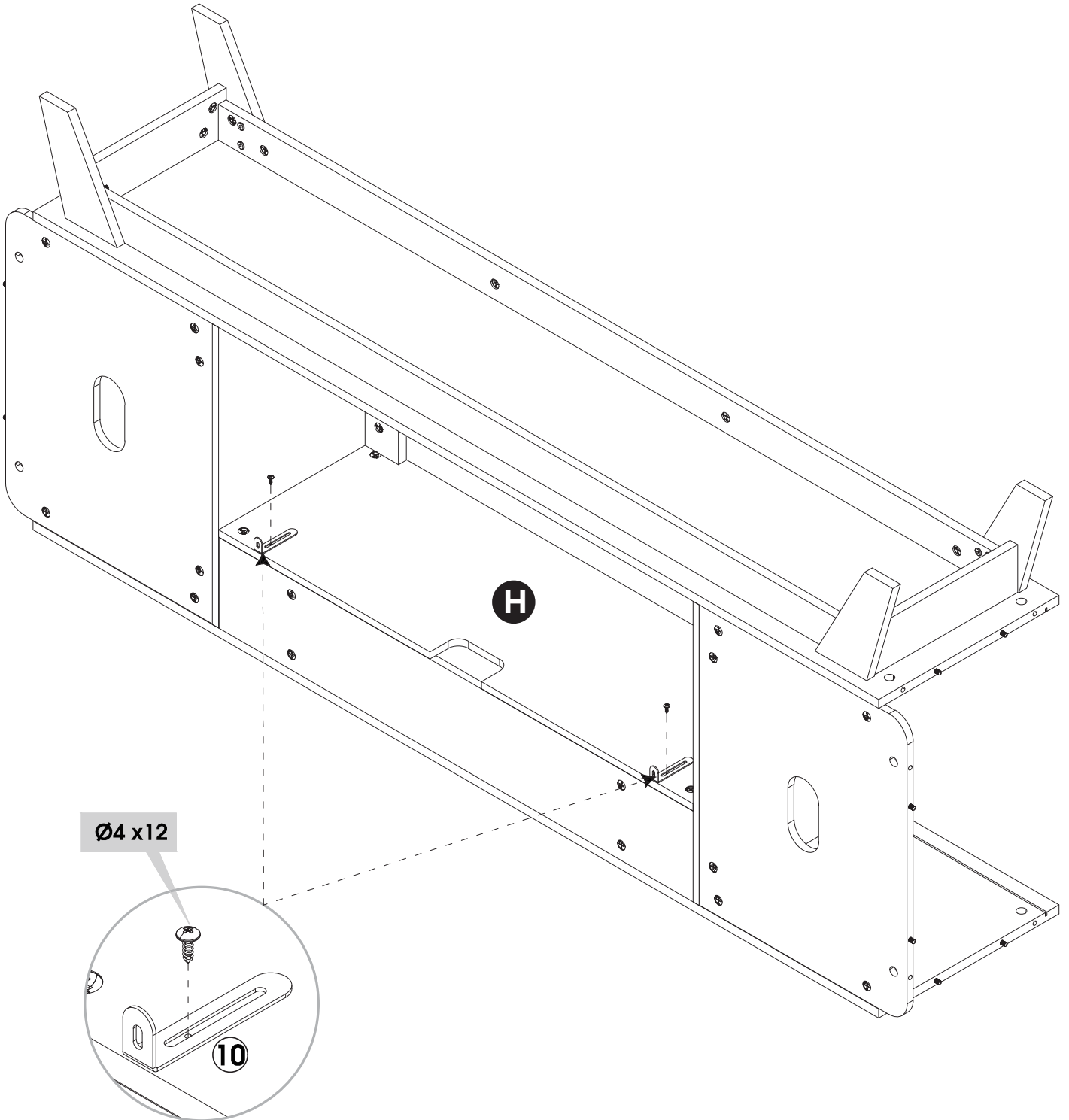
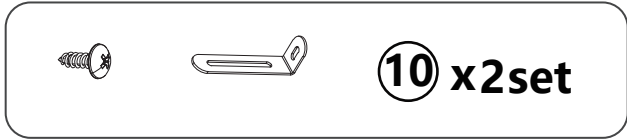
11 x 1



14



15



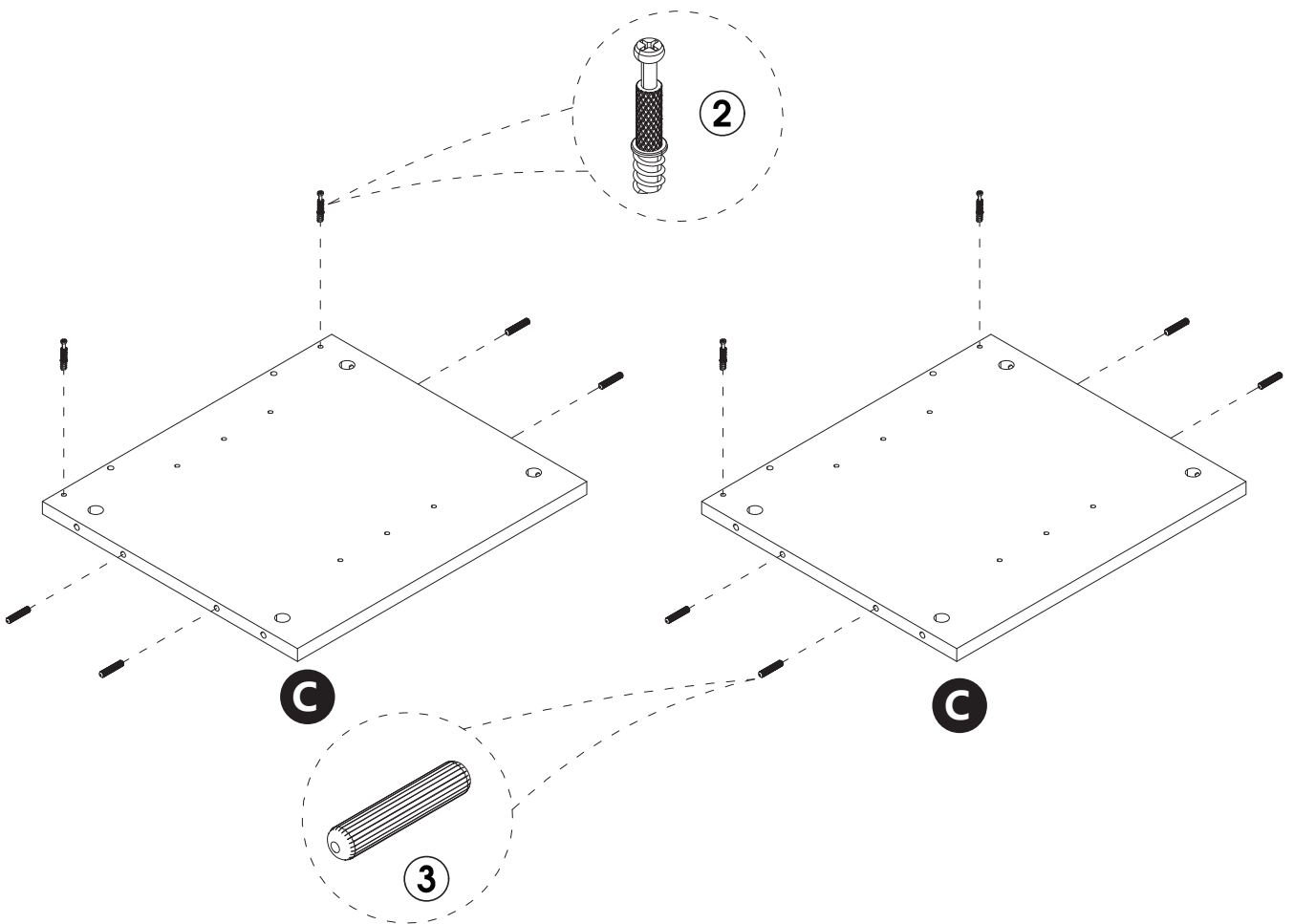
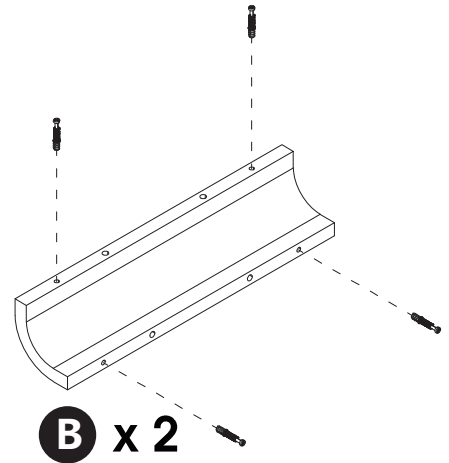
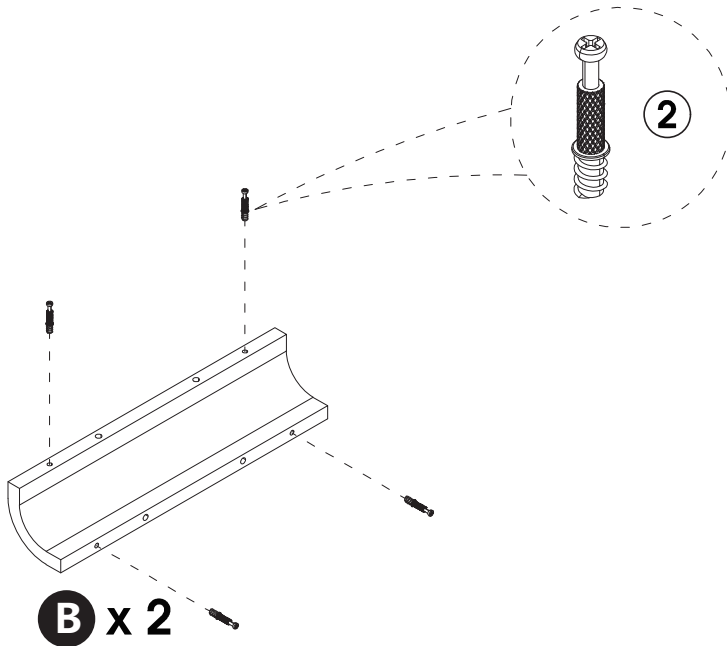
16



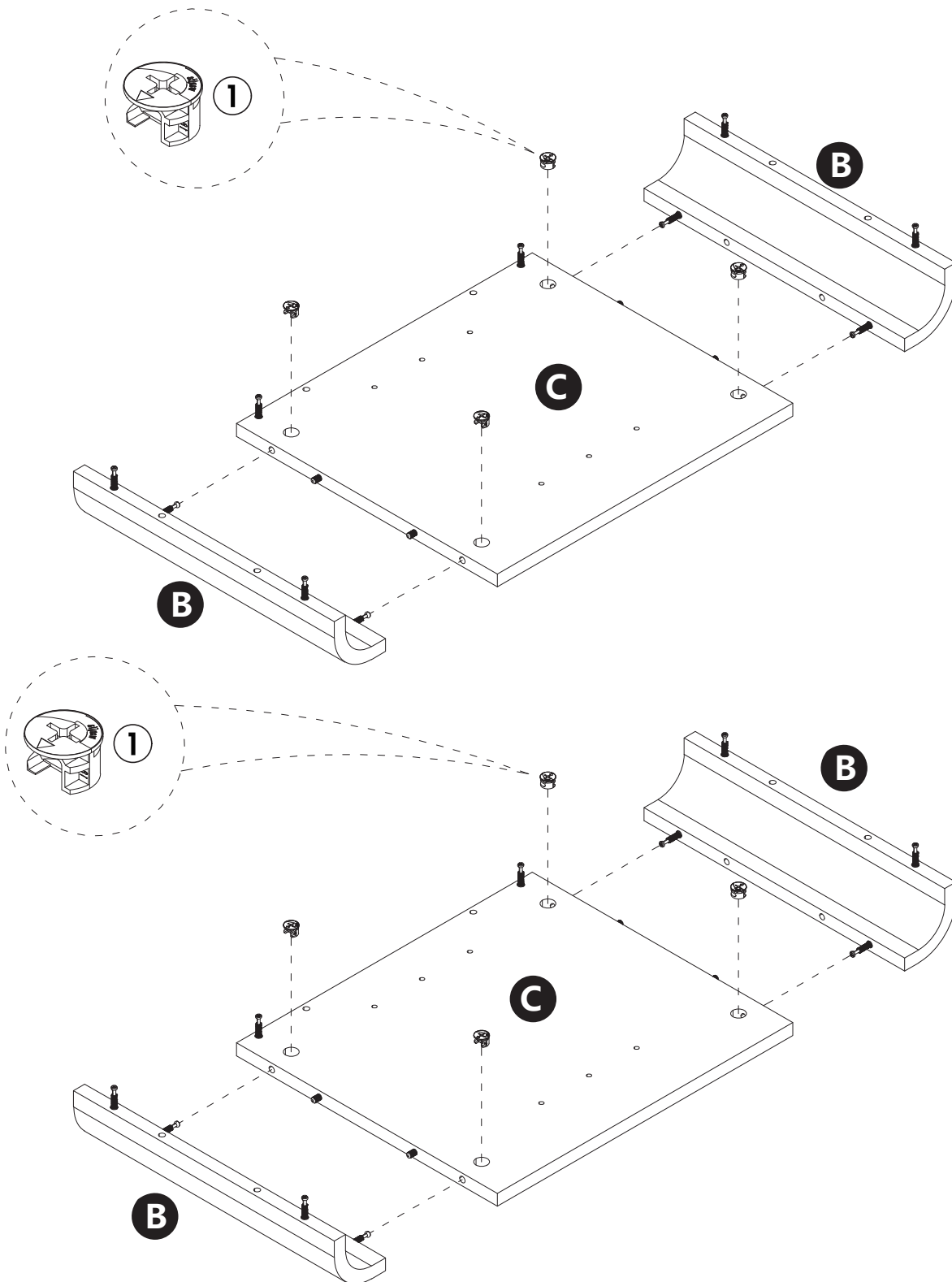
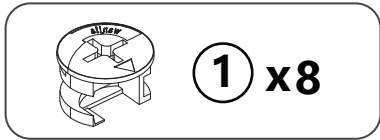
2 x20



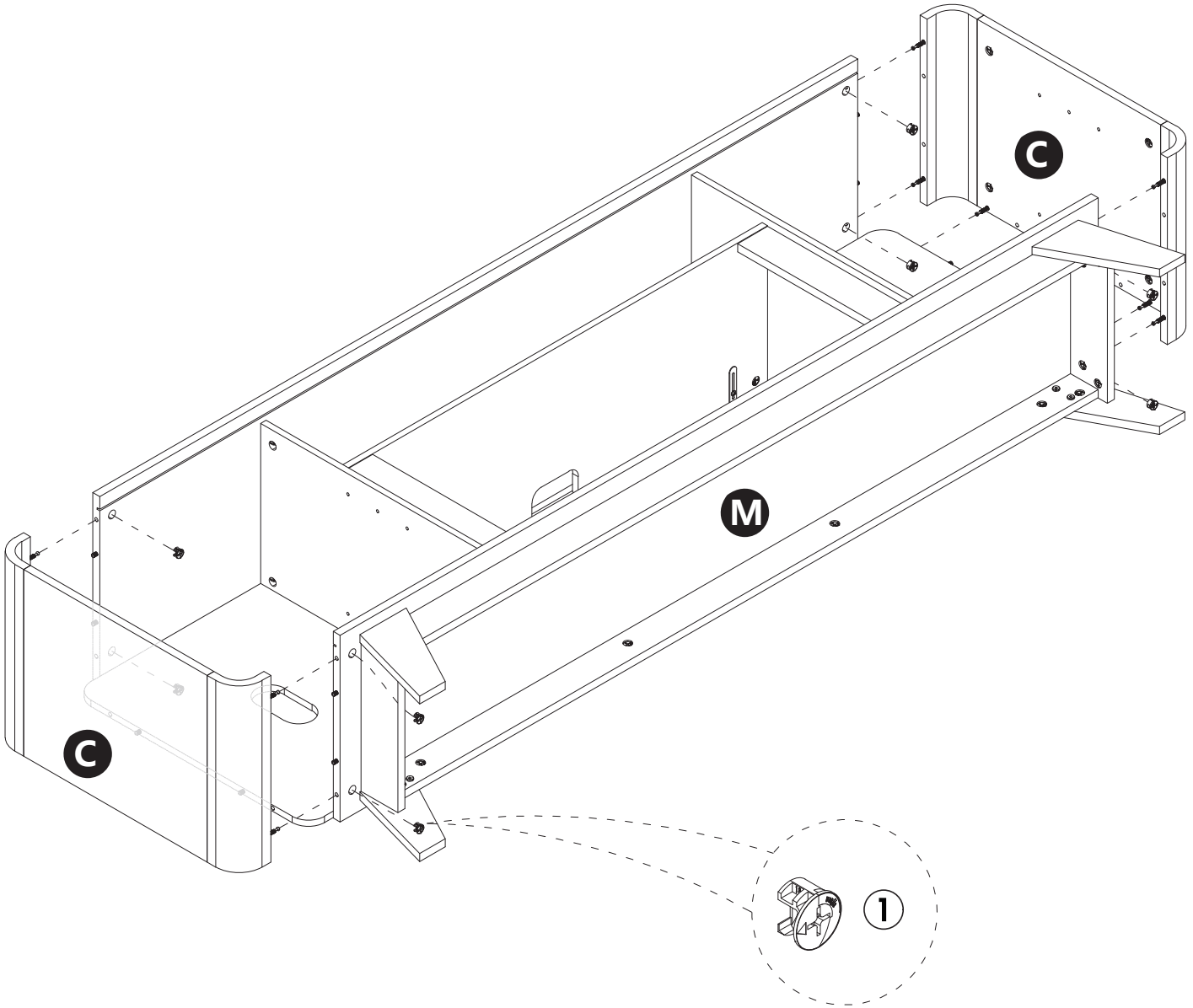
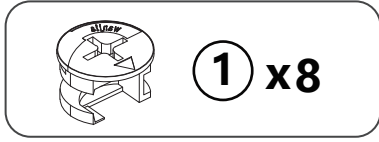
3 x8



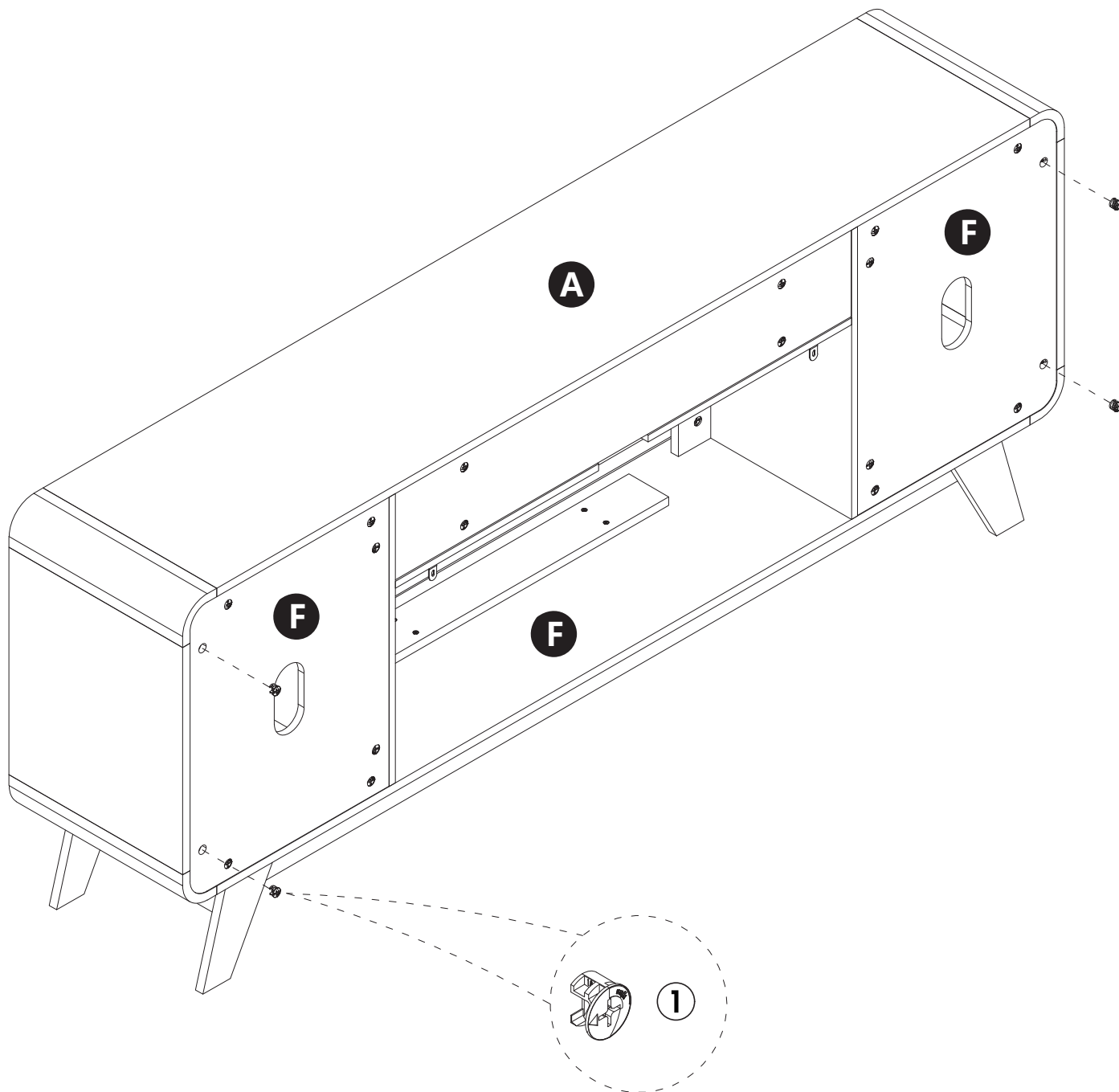
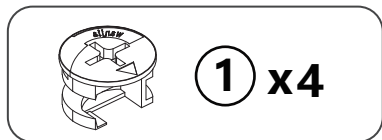
17



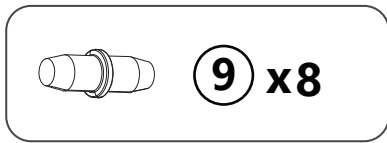
18



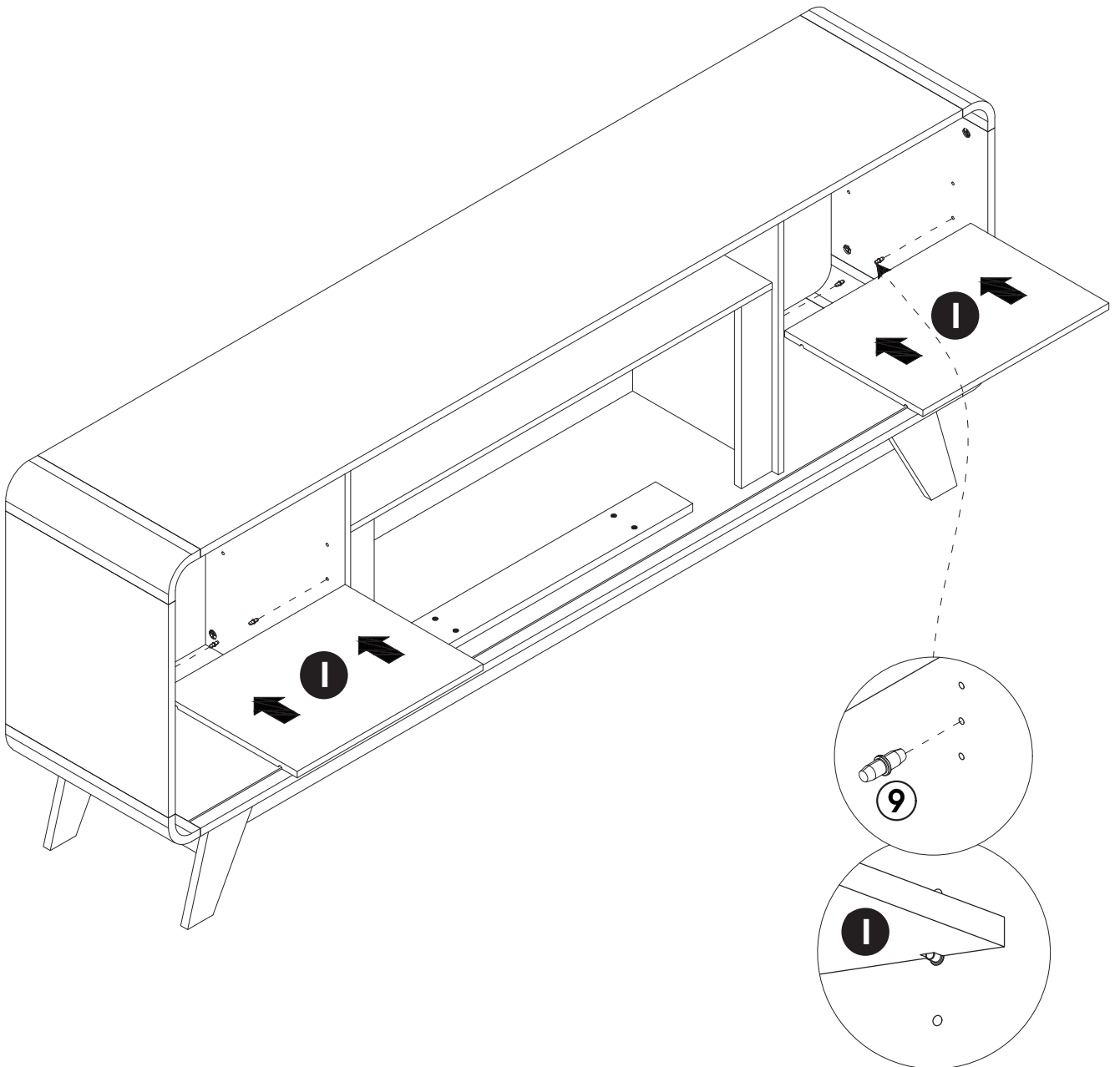
19



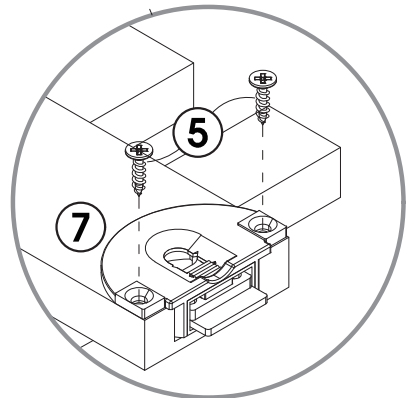
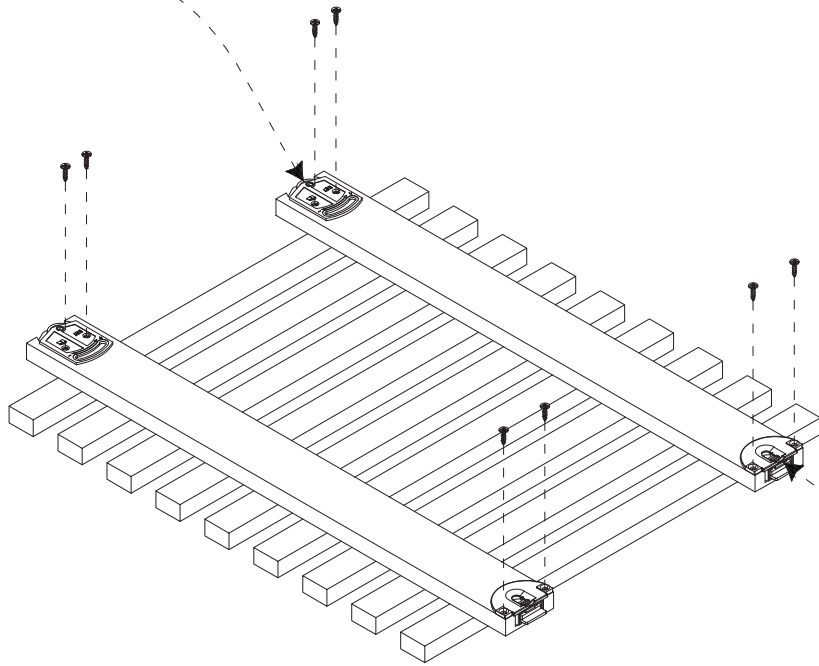
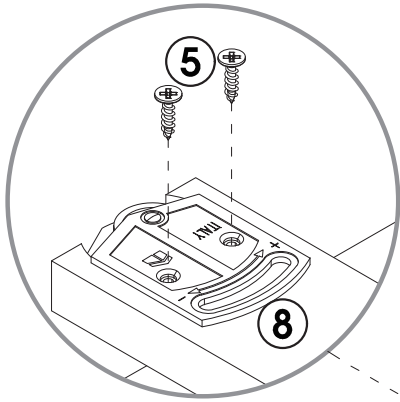
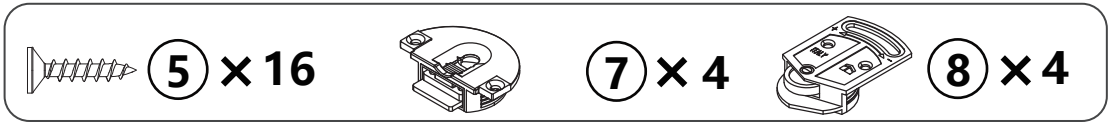
20



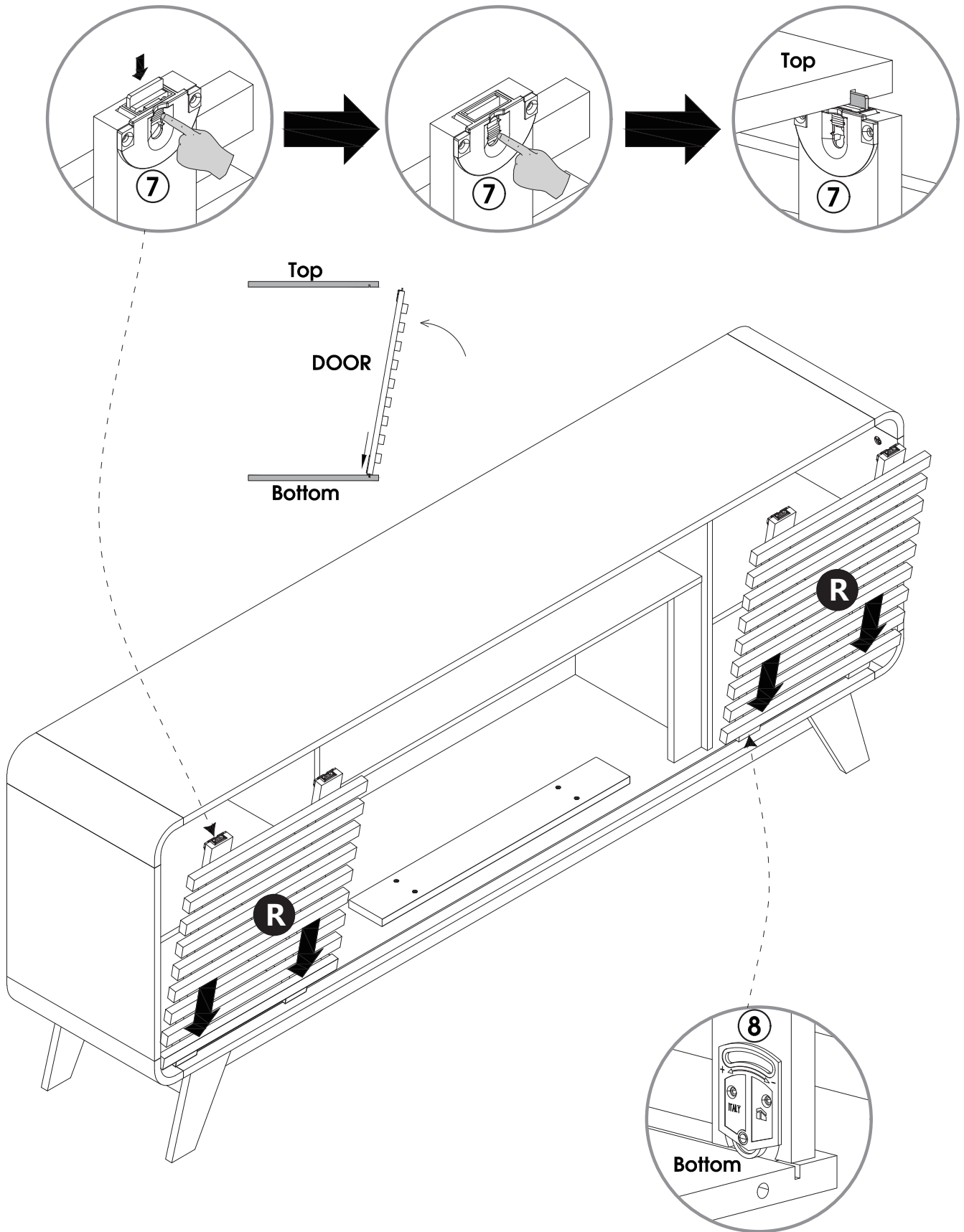
This shelf features freely adjustable height, allowing you to move it vertically according to storage needs. Both side panels are equipped with evenly spaced pre-drilled adjustment holes. Simply align the shelf clips with the desired holes at your preferred height for tool-free adjustment.

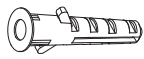


21



x 2

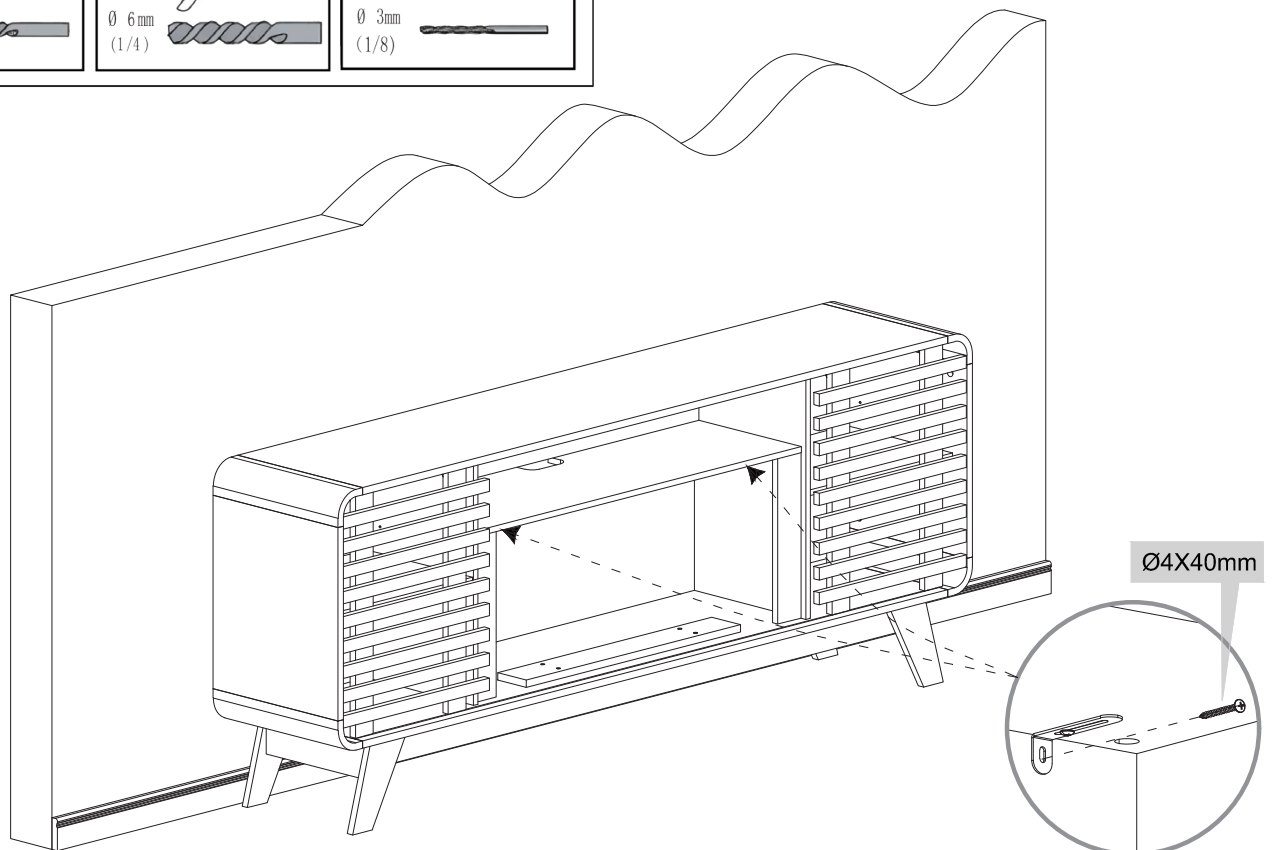
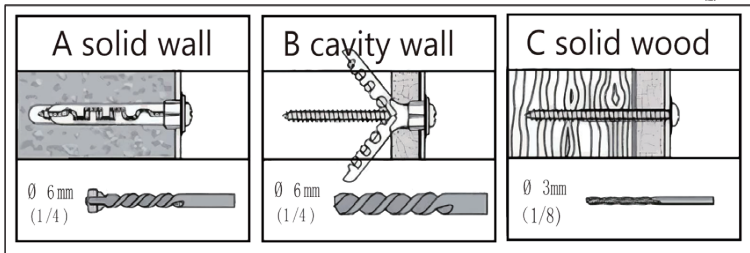
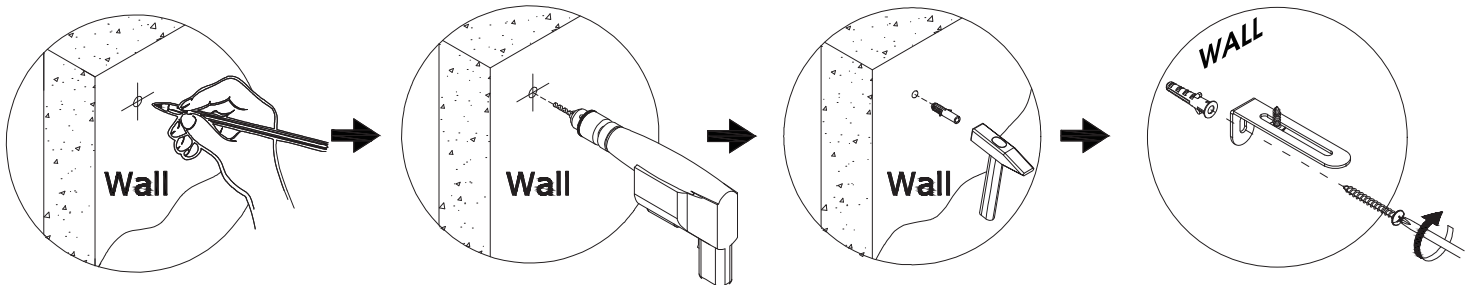


23**10** × 2set

Warning Topple Over

! **Warning:** If you overturn the furniture, it may cause serious or fatal crushing injuries. We have a wall connection device attached, please use it to hold the furniture following these instructions.

1. Mark the corresponding hole positions where you want to place the furniture;
2. Use a impact drill to drill holes and pay attention to avoid wires and water pipes;
3. Knock the expansion pipes into the wall holes;
4. Place the furniture in the corresponding position and tighten the wall connection device with screws.



AFTER-SALE

AFTER-SALE SERVICE

If you have any suggestions or encounter quality issues with our products, please contact us first.

Our after-sales team will respond within 24 hours, and we will do our best to provide a solution until you are satisfied.

GUARANTEED CUSTOMER SERVICE

Your shopping experience is very important to us!

If you feel unsatisfied or have any questions,
just contact us!

If you want to share how wonderful our smart product makes your home, **just contact us** and share your pictures!

For further information,
just contact us!



 service@kmcglobe-us.com

 (USA) +1 213-816-4788