

## Specification Sheet

Model: AWC242DPRS

# WINE REFRIGERATOR



### 24-Inch Dual Zone Undercounter Wine Refrigerator, Solid Panel-Ready Door

#### Features

- 45-bottle capacity built-in dual zone wine refrigerator
- White, blue and amber interior LED lighting options
- Touch panel with digital controls
- Wooden shelves with stainless steel trim
- Added security with a door lock
- Sabbath mode
- Energy Star Rated

Please note: Panel-ready appliances are designed to utilize custom panels to match your cabinetry. The panel-ready finish option does not include the pictured wood paneling.

#### Warranty

- One (1) year parts and labor
- Five (5) years compressor (part only)



#### Model Details

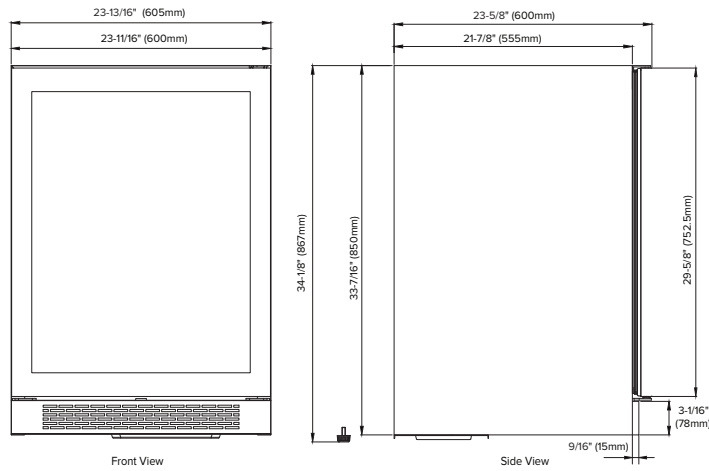
Model	Voltage	Door Swing	Finish
AWC242DPRSLH	115V	Left Hinge	Solid Panel-Ready Door
AWC242DPRSRH	115V	Right Hinge	Solid Panel-Ready Door

#### Accessories

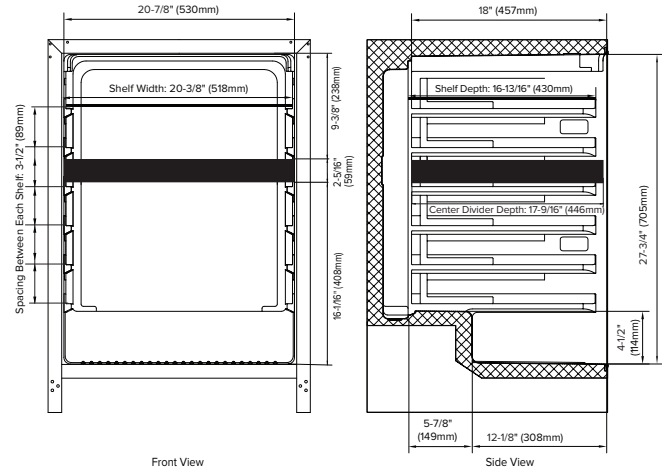
Model	Description	Finish
PCWRFILTER	Replacement Carbon Filter	Gray
HDLPRO	PRO Style Handle for Undercounter Models	Stainless Steel
ADKP48SS	Dual Kickplate (intended for side-by-side installations of two 24" models)	Stainless Steel



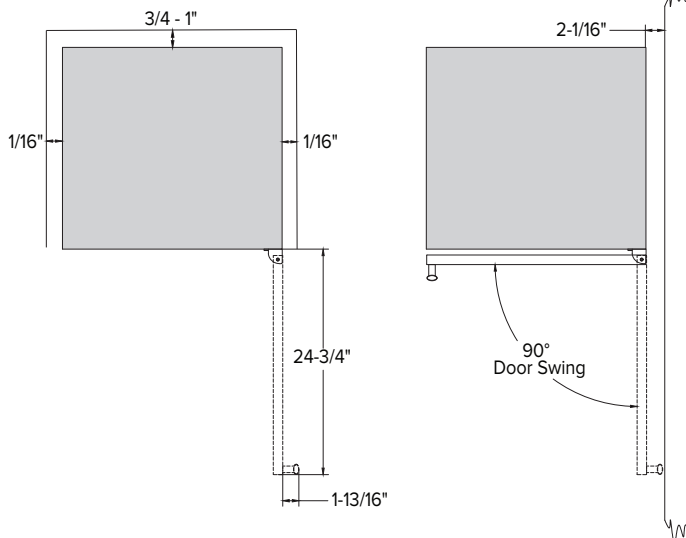
### Exterior Dimensions



### Interior Dimensions



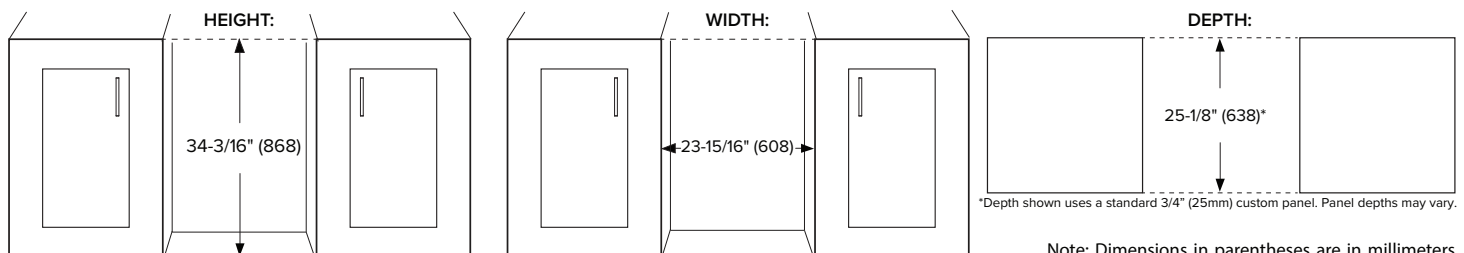
### Door Swing



### Specifications

Model#	AWC242DPRS
Capacity (750 mL Wine Bottles) – Upper Zone	15
Capacity (750 mL Wine Bottles) – Lower Zone	30
Product Depth	23-5/8"
Product Depth with Handle	25-7/16"
Product Height	34-1/8"
Product Width	23-13/16"
Product Weight	111 lbs
Refrigerant Type	R600a
Temperature Range	40°F - 65°F
Power Cord Length	6'
Amps	1.5
Electric Supply	115 VAC, 60 Hz

### Cutout dimensions



\*Depth shown uses a standard 3/4" (25mm) custom panel. Panel depths may vary.

Note: Dimensions in parentheses are in millimeters. Specifications are subject to change without notice. Visit Avallon.com for the latest information.