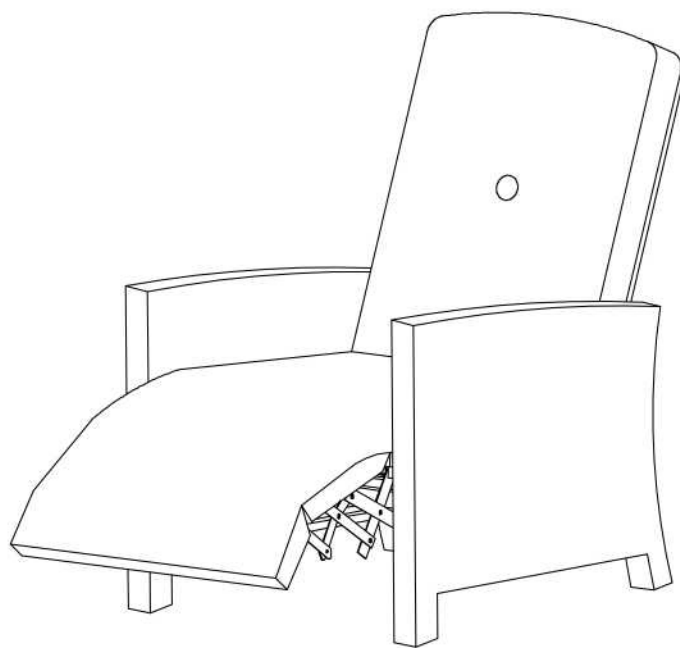
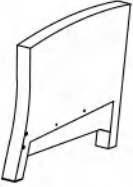
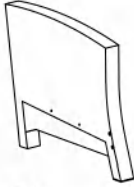
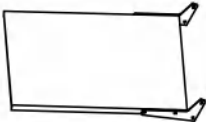







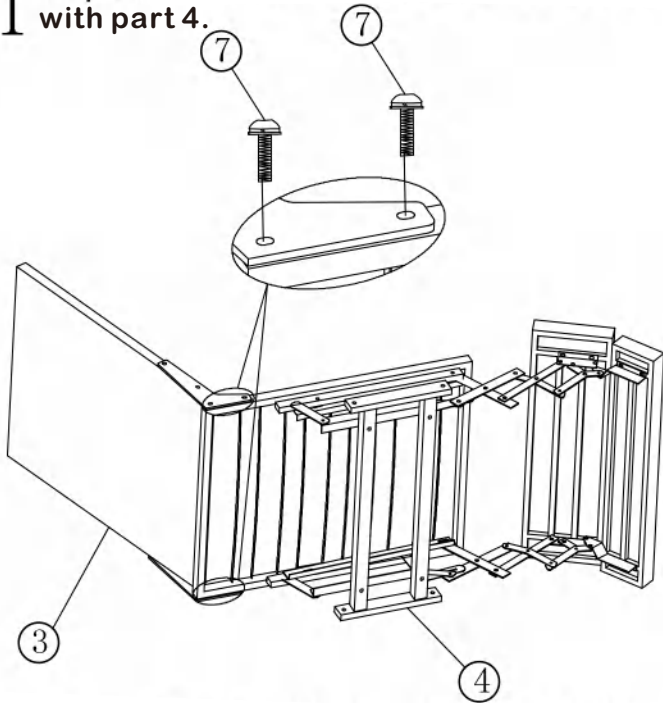


Wicker Chair with Cushion Assembly Manual

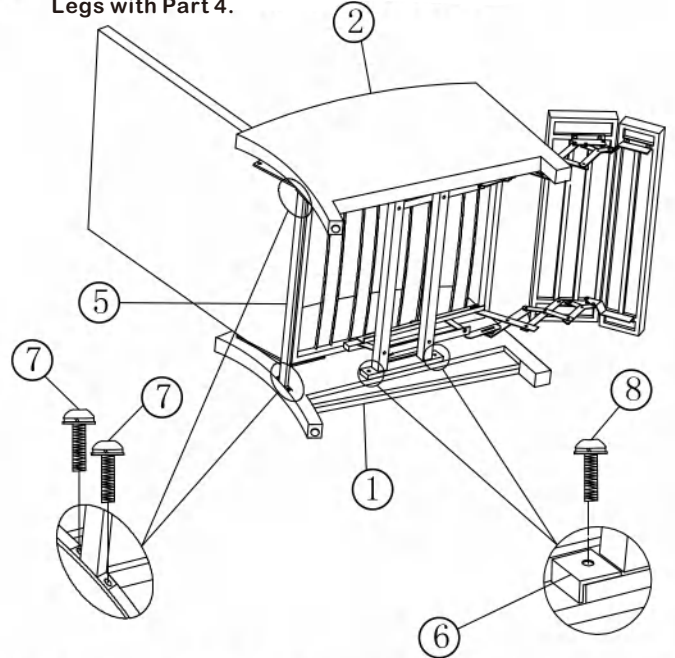


 <p>① 1 X</p>	 <p>② 1 X</p>	 <p>③ 1 X</p>	 <p>④ 1 X</p>	 <p>⑤ 1 X</p>
 <p>⑥ 4 X</p>	 <p>⑦ 8 X M6X18</p>	 <p>⑧ 4 X M6X30</p>	 <p>⑨ 1 X</p>	 <p>⑩ 1 X</p>

1 Step 1 : Use 4 Screws #7 to connect Part 3 with part 4.

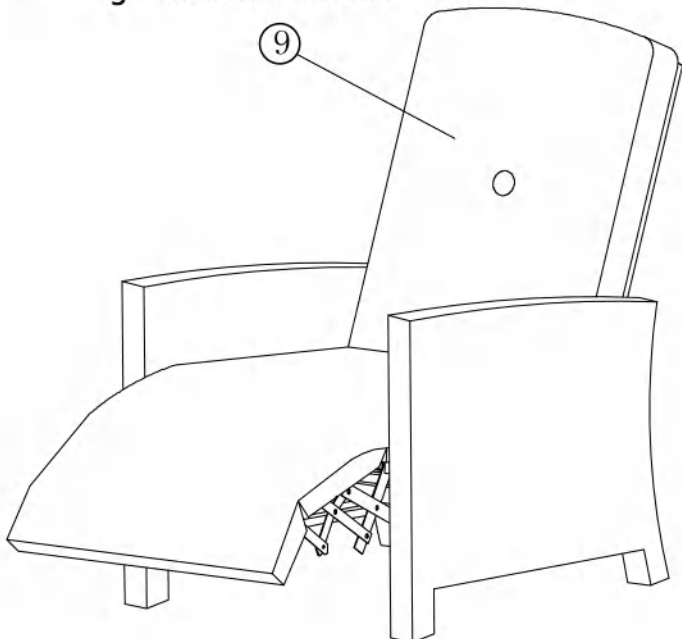


2 Step 2: Use 4 Screw #7 to connect Support Tube #5 with 2 Legs. Use 4 Screw #8 and Bracket #6 to secure the left and right Legs with Part 4.



⚠ (Please don't tighten the screws until the last step.)

3 Step 3: Install Part 9 on Part 4. Tighten all the screws.



4 Step 4 : Check to make sure all screws are fixed tightly before use.

