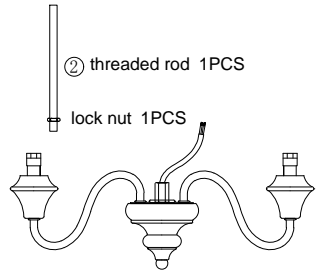
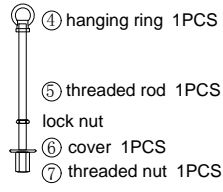


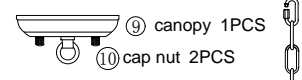
③ lampshade 1PCS



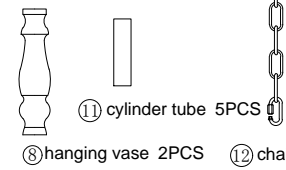
① light fixture 1PCS



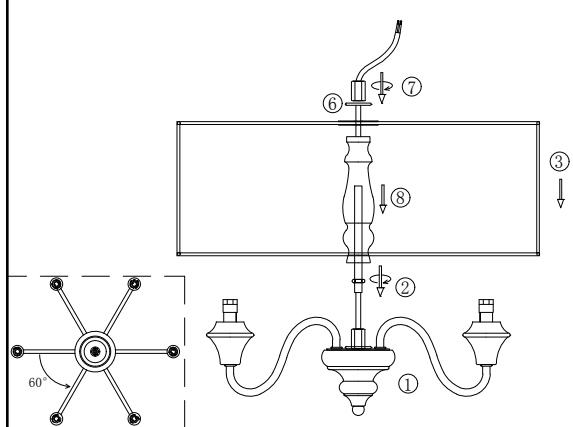
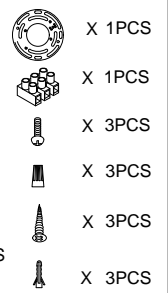
④ hanging ring 1PCS  
⑤ threaded rod 1PCS  
lock nut  
⑥ cover 1PCS  
⑦ threaded nut 1PCS



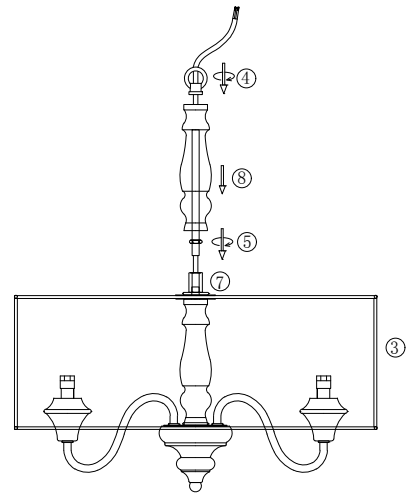
⑨ canopy 1PCS  
⑩ cap nut 2PCS



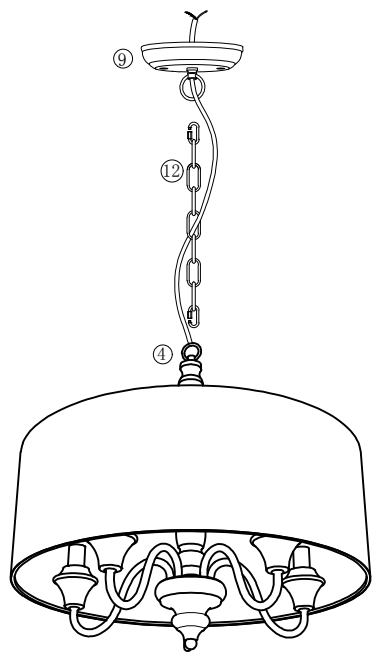
⑧ hanging vase 2PCS  
⑪ cylinder tube 5PCS



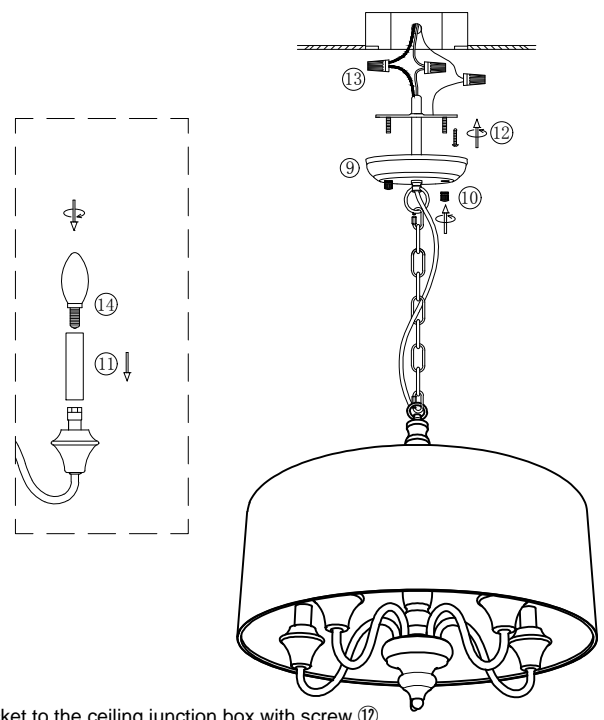
1. Adjust the light arms to suitable position like picture shown.
2. Let the wire go through the threaded rod ②, rotate to install it to the fixture, fasten the rod ② with lock nut.
3. Let the wire go through the hanging vase ⑧, lampshade ③, cover ⑥ and threaded nut ⑦, rotate nut ⑦ to fasten all parts to the fixture.



4. Let the wire go through the threaded rod ⑤, rotate to install it to the fixture, fasten the rod ⑤ with lock nut.
5. Let the wire go through the hanging vase ⑧ and ring ④, rotate ring ④ to fasten the vase ⑧ to the fixture.



6. Hang the fixture to the canopy ⑨ with chain ⑫, let the wire go through the chain ⑫ and canopy ⑨.



7. Install the bracket to the ceiling junction box with screw ⑬.
8. Connect the wire to your home line with cap connector ⑬.
9. Install the fixture to the bracket with cap nut ⑩.
10. Put the cylinder tube ⑪ on top of bulb holder and install the bulb ⑭.

Please read carefully before installation!!!  
 Note : Please make sure that the electricity is powered off during installation !  
 Only a professional electrician should install this kind of product !