



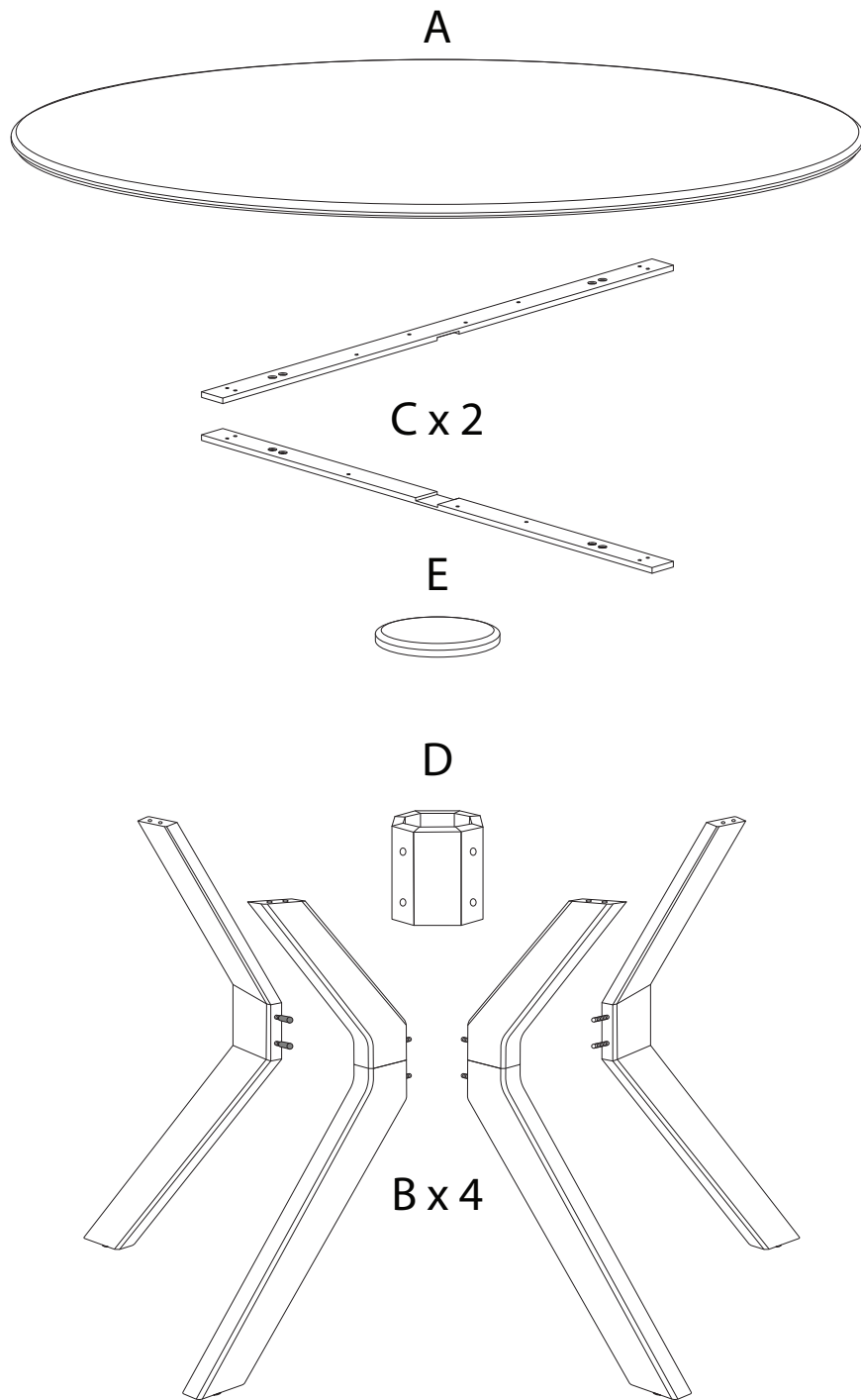
Assembly instructions for the table, including tool requirements, time, and personnel.


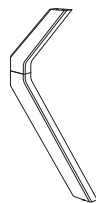

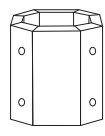

Tools: A circle containing a screwdriver, a wrench, and an L-shaped hex key. A power drill is shown with a diagonal line through it, indicating it is not required.

Time: A clock icon with the text "30'" below it, indicating an estimated assembly time of 30 minutes.

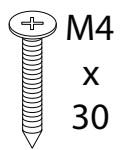
Personnel: A stick figure icon with the number "2" below it, indicating that two people are required for assembly.

Warnings: Two warning triangles (exclamation marks) are present. The top one is connected to the tool requirements, and the bottom one is connected to the personnel requirement.



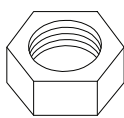
A	B	C	D	E
				
x 1	x 4	x 2	x 1	x 1

1



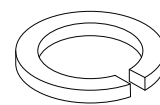
x 16

2



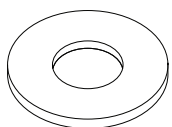
x 8

3



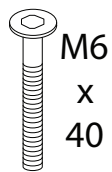
x 8

4



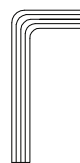
x 8

5



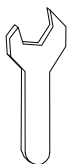
x 8

6



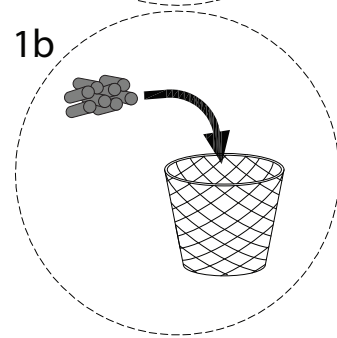
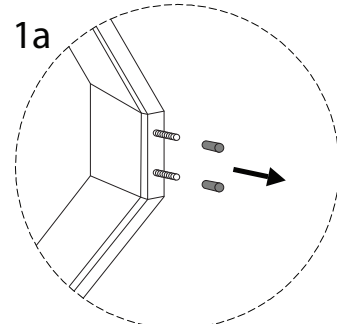
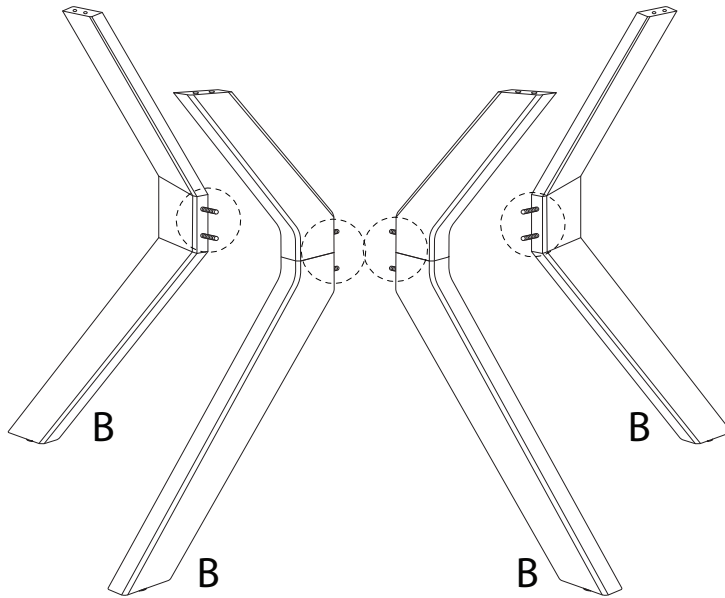
x 1

7


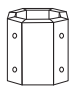
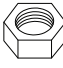
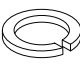




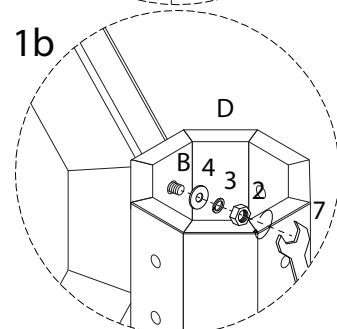
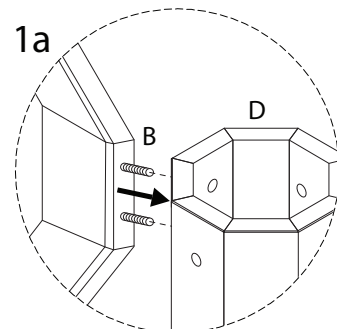
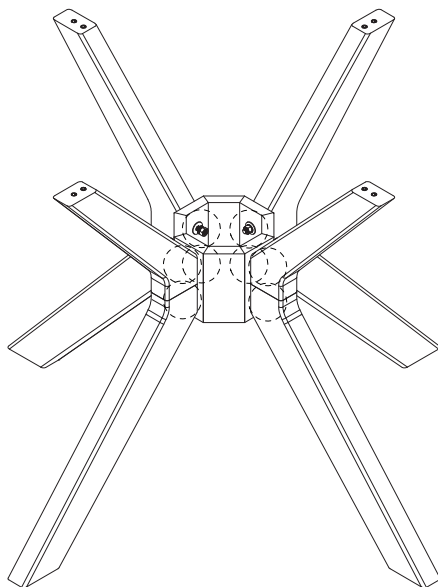
x 1

!

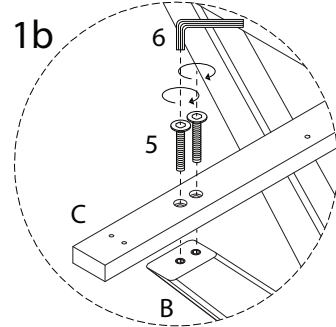
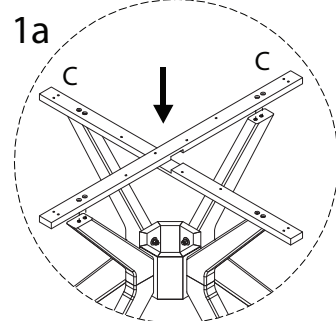
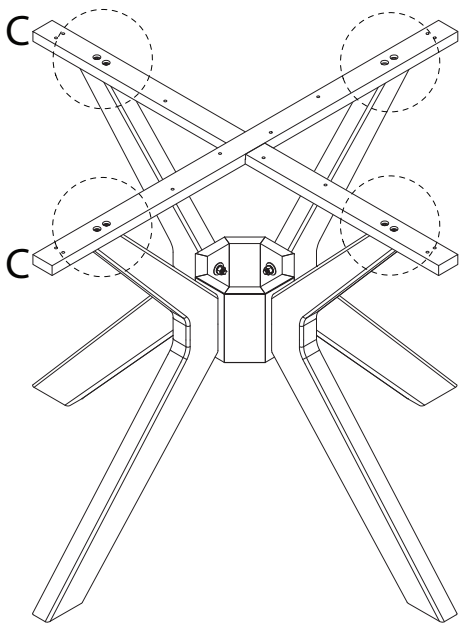
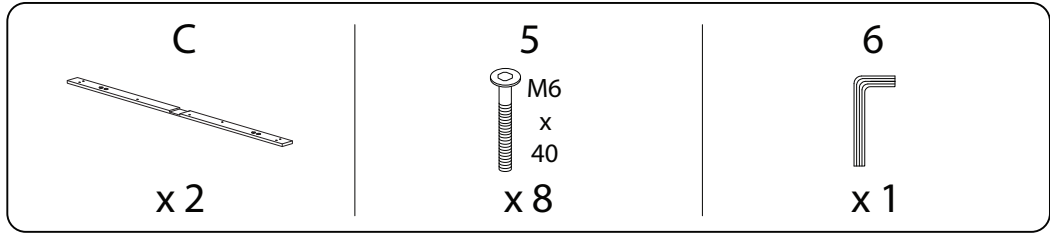


1

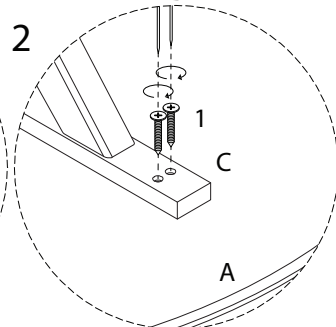
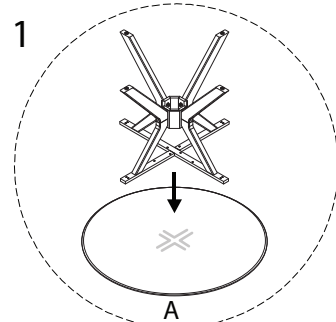
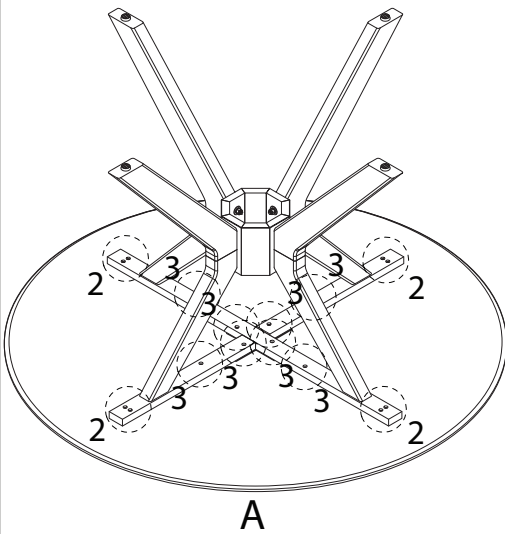
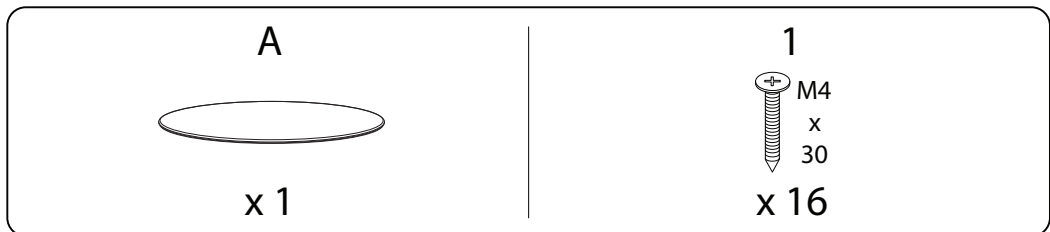
 x 4	 x 1	 x 8	 x 8	 x 8	 x 1
--	--	--	---	--	--



2



3



4

E



x 1

