

Fashion design hidden under American maple .



Top counter:

Integrated basin.

Mirror:

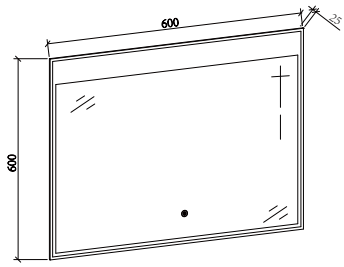
MMZL02.LED mirror.Rectangle.Wraparound light strip.Anti-fogging.Touch switch.

Cabinet:

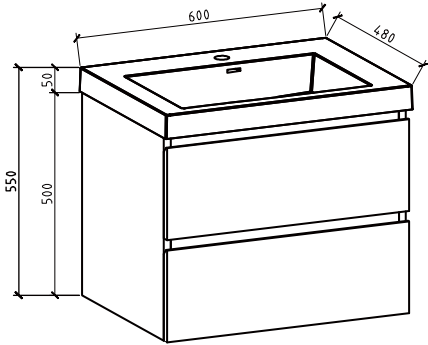
MFC,5535 Maple gray color.ABS material ultra-thin U shape.45 ° bevelled invisible handle.DTC silient damping guide rail.Wooden drawer sideboard.

Basin:

Artificial marble.White glossy.Integrated basin.Rectangle.

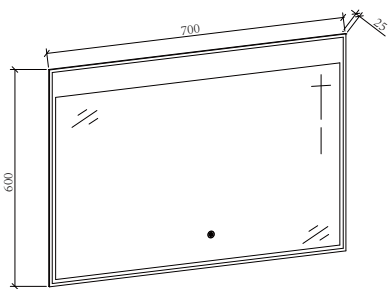


Cabinet :
(CCM011-600)
594*475*500 mm (W*D*H)
GW :24.36kg NW:22.31kg CBM:0.191m³

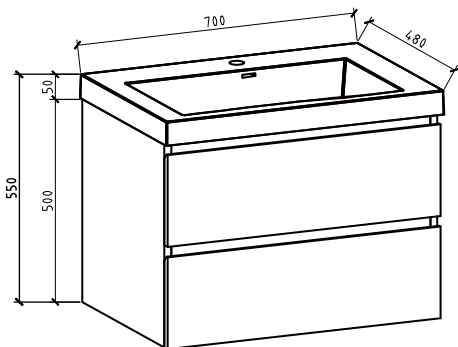


Basin:
(BBG003-600W)
600*480*145 mm (W*D*H)
GW :12.66kg NW:11.69kg CBM:0.066m³

Mirror :
(MMZL04-600)
600*25*600 mm (W*D*H)
GW :5.16kg NW:4.24kg CBM:0.043m³

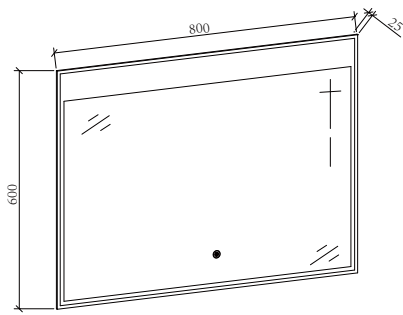


Cabinet :
(CCM011-700)
694*475*500 mm (W*D*H)
GW :26.85kg NW:24.58kg CBM:0.22m³



Basin:
(BBG003-700W)
700*480*145 mm (W*D*H)
GW :14.46kg NW:13.39kg CBM:0.076m³

Mirror :
(MMZL04-700)
700*25*600 mm (W*D*H)
GW :5.98kg NW:4.95kg CBM:0.05m³

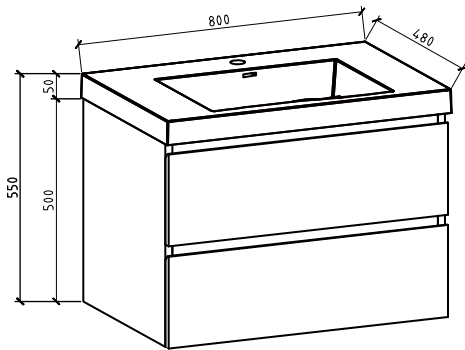


Cabinet :

(CCM011-800)

794*475*500 mm (W*D*H)

GW :29.26kg NW:26.83kg CBM:0.25m³



Basin:

(BBG003-800W)

800*480*145 mm (W*D*H)

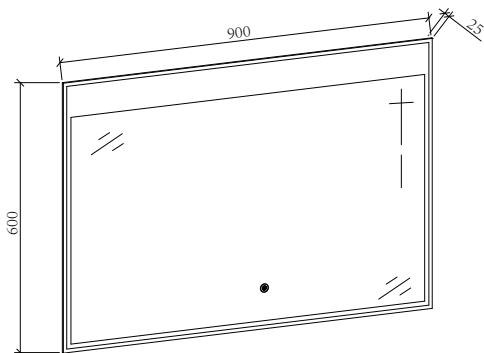
GW :18.87kg NW:17.69kg CBM:0.086m³

Mirror :

(MMZL04 -800)

800*25*600 mm (W*D*H)

GW :6.8kg NW:5.66kg CBM:0.056m³

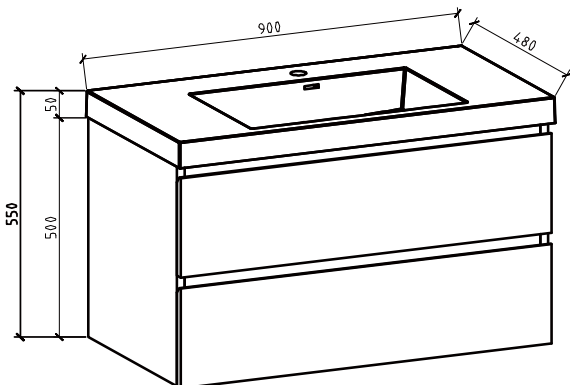


Cabinet :

(CCM011-900)

894*475*500 mm (W*D*H)

GW :31.69kg NW:29.11kg CBM:0.279m³



Basin:

(BBG003-900W)

900*480*145 mm (W*D*H)

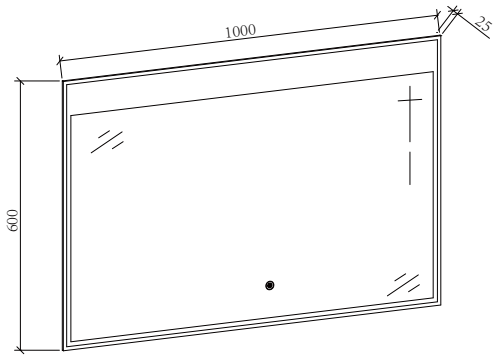
GW :19.02kg NW:17.73kg CBM:0.096m³

Mirror :

(MMZL04 -900)

900*25*600 mm (W*D*H)

GW :7.62kg NW:6.37kg CBM:0.063m³



Cabinet :

(CCM011-1000)

994*475*500mm (W*D*H)

GW :34.34kg NW:31.61kg CBM:0.309m³

Basin:

(BBG003-1000W)

1000*480*145 mm (W*D*H)

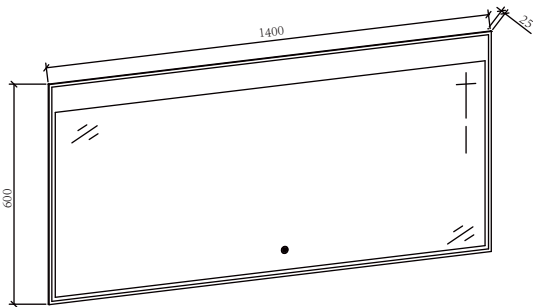
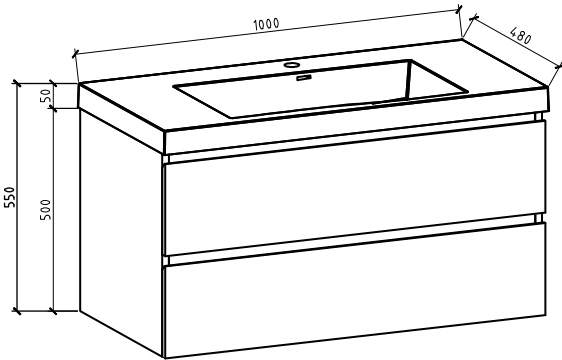
GW :21.6kg NW:20.2kg CBM:0.106m³

Mirror :

(MMZL04 -1000)

1000*25*600 mm (W*D*H)

GW :8.44kg NW:7.08kg CBM:0.069m³



Cabinet :

(CCM011-1500)

1492*494*520mm (W*D*H)

GW :52.1kg NW:48.3kg CBM:0.509m³

Basin:

(BBG003-1500W)

1498*525*155mm (W*D*H)

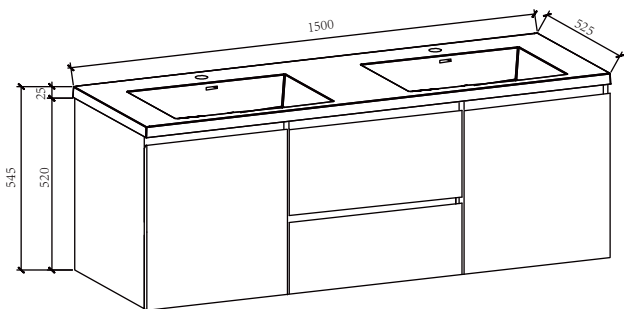
GW :44.4kg NW:42.2kg CBM:0.189m³

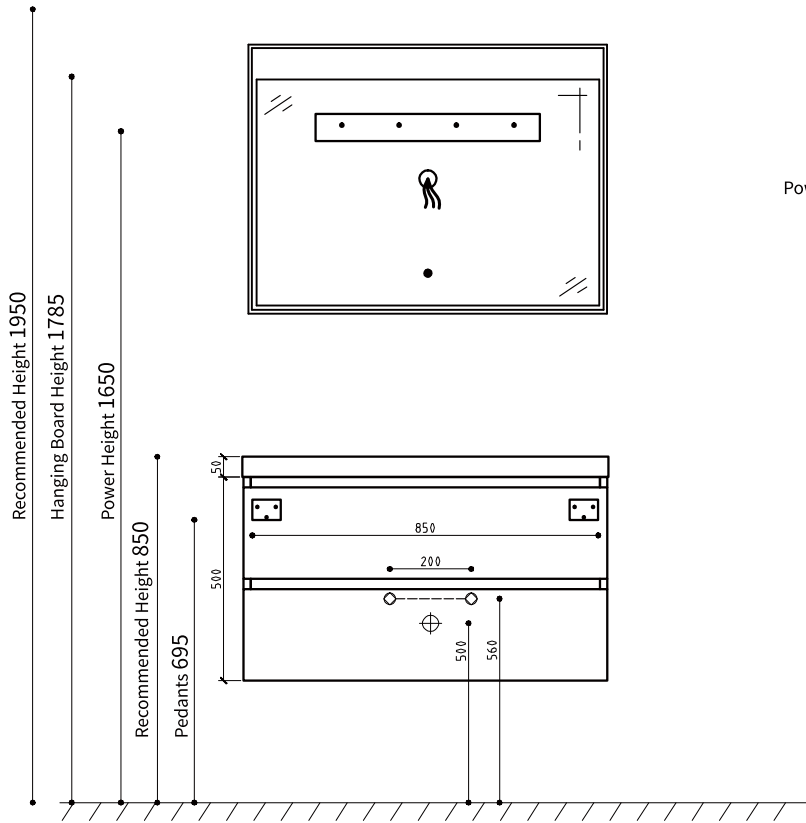
Mirror :

(MMZL04-1500)

1400*30*600mm (W*D*H)

GW :11.3kg NW:9.4kg CBM:0.101m³





Hanging Board

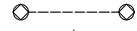


The 220 v power supply
 Power supply and lighting control



Pedants

Cold-hot water



Wall drainage