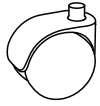
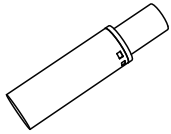


ASSEMBLY GUIDE

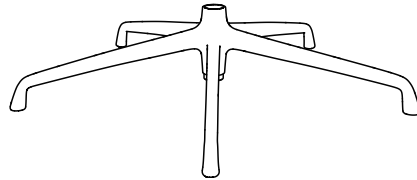
PACKAGE CONTENTS



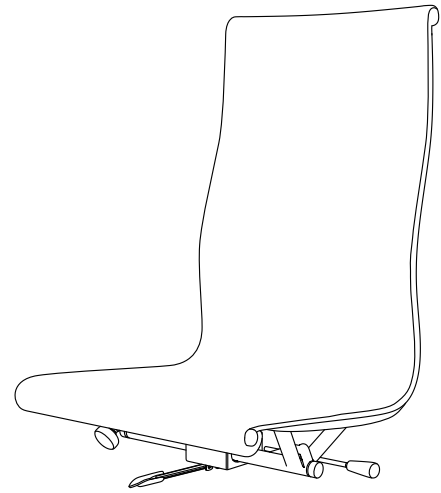
5x Wheels



1x Gas Rod



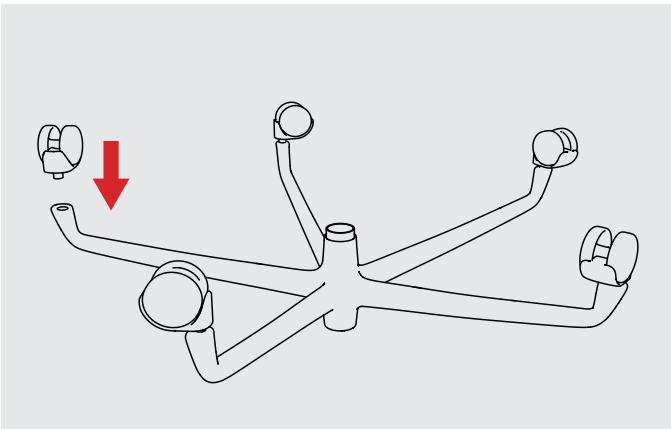
1x Metal Leg



1x Seat

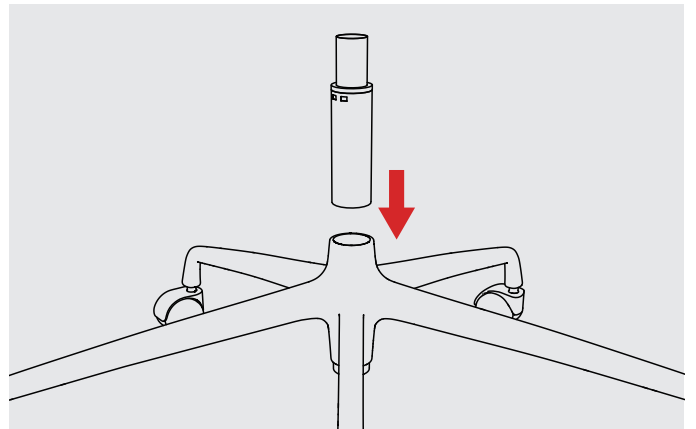
1

Insert the wheels into the base.



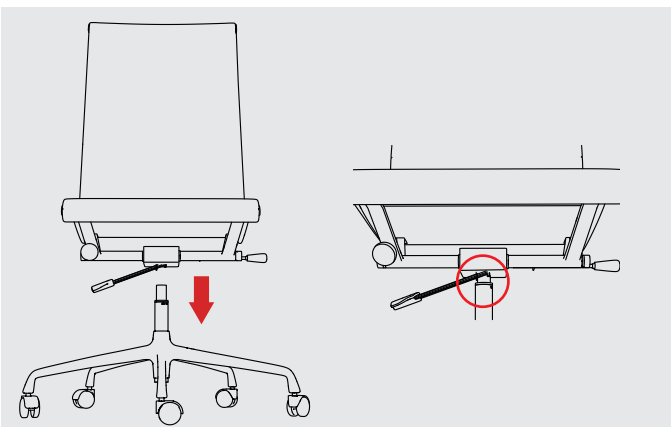
2

Buckle the bottom of the gas rod into the base.



3

Align the installed seat into the air pressure bar.



4

A. Seat height adjuster.
B. Seat tifting tension adjustor. Loose/Locking

