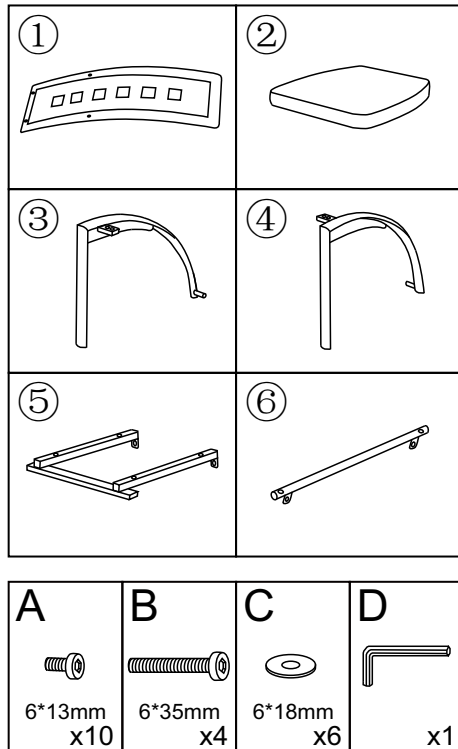
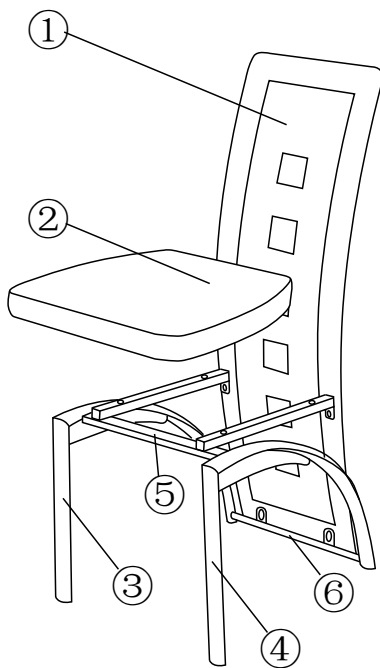
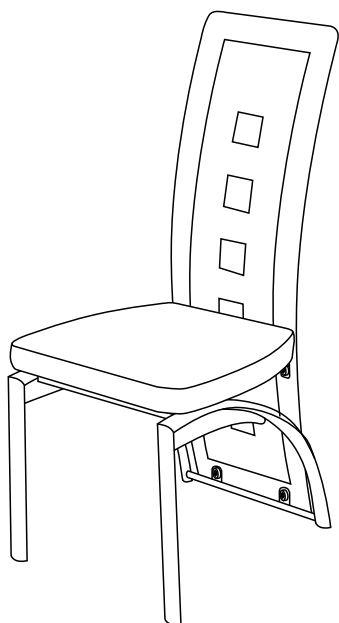


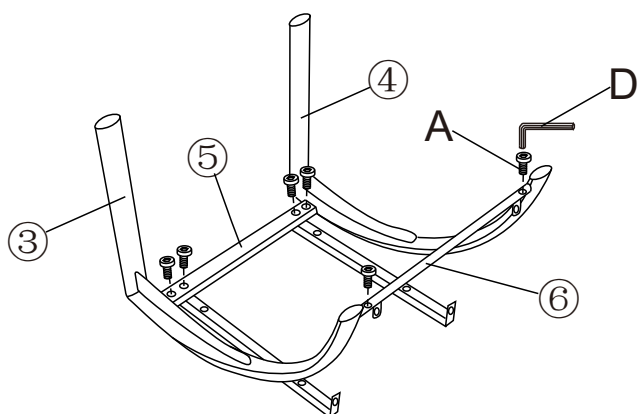
ASSEMBLY INSTRUCTIONS

ABK-00000

C-018



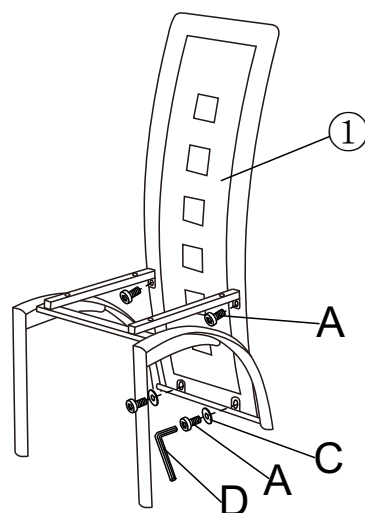
STEP 1



Tighten the screws to 50%.

Ax6
Dx1

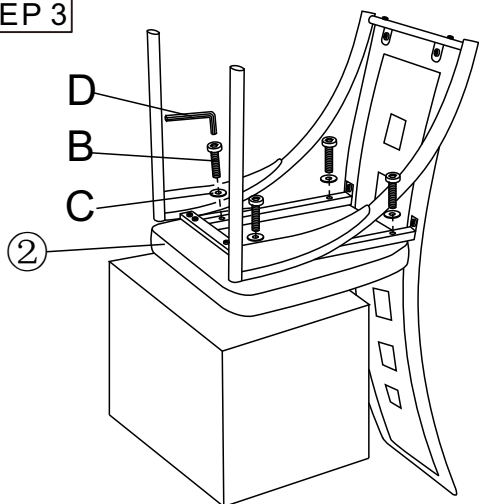
STEP 2



Tighten the screws to 50%.

Ax4
Cx2
Dx1

STEP 3



Tighten all of the screws to 100%.

Bx4
Cx4
Dx1

STEP 4

