

ASSEMBLY INSTRUCTION

ASSEMBLY TIPS:

- 1.Remove hardware from box and sort by size.
- 2.Please check to see that all hardware and parts are present prior to start of assembly.
- 3.Please follow attached instructions in the same sequence as numbered to assure fast & easy assembly.



Warning!!

- 1.Don't attempt to repair or modify parts that are broken or defective. Please contact the store immediately.
- 2.This product is for home use only and not intended for commercial establishment.

ASSEMBLY TIME PER UNIT: 45 MINUTES

PARTS IDENTIFICATION

A

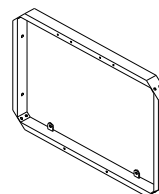
SHELF GLASS



2PCS

B

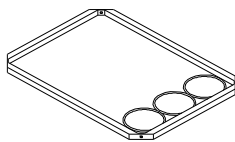
TOP FRAME



1PC

C

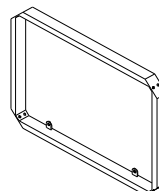
WINE FRAME



1PC

D

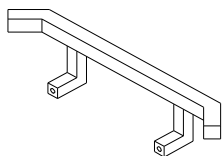
BOTTOM FRAME



1PC

E

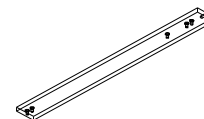
HANDLE



2PCS

F

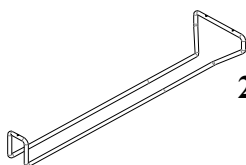
SUPPORT PANEL



4PCS









G

WINE GLASS RACK

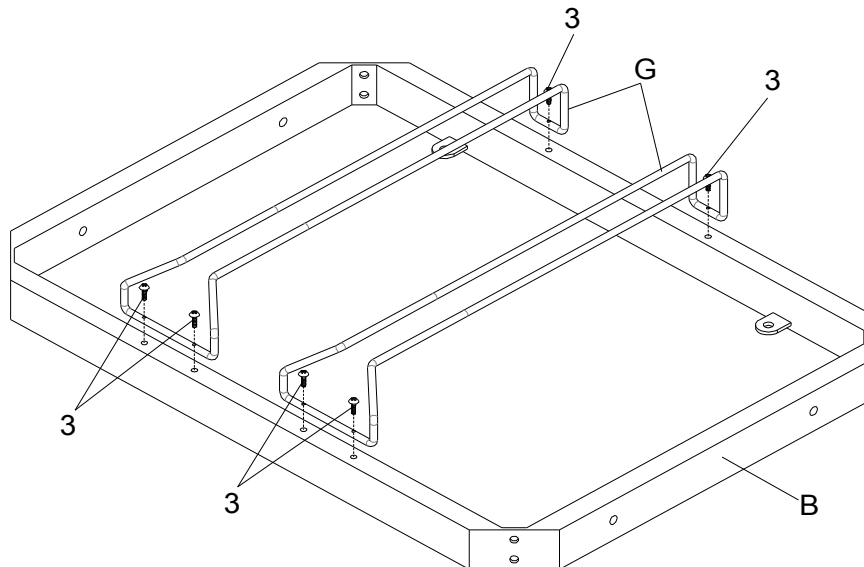


2PCS

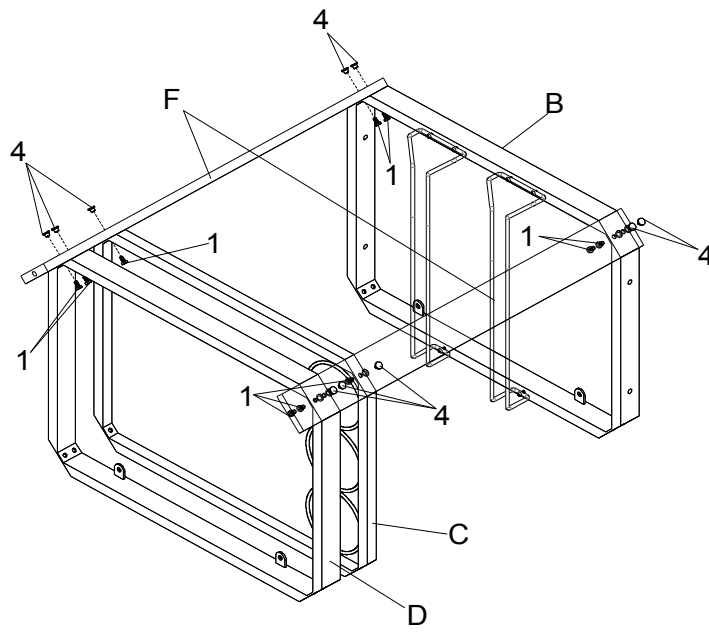
HARDWARE PACKAGE

Z	DESCRIPTION	FIGURE	Q'TY
1	SHORT BOLT		20PCS
2	LONG BOLT		4PCS
3	SCREW		6PCS
4	NUT		20PCS
5	SUCTION CUP		8PCS
6	WHEEL-LOCK		2PCS
7	WHEEL		2PCS
8	ALLEN WRENCH		1PC

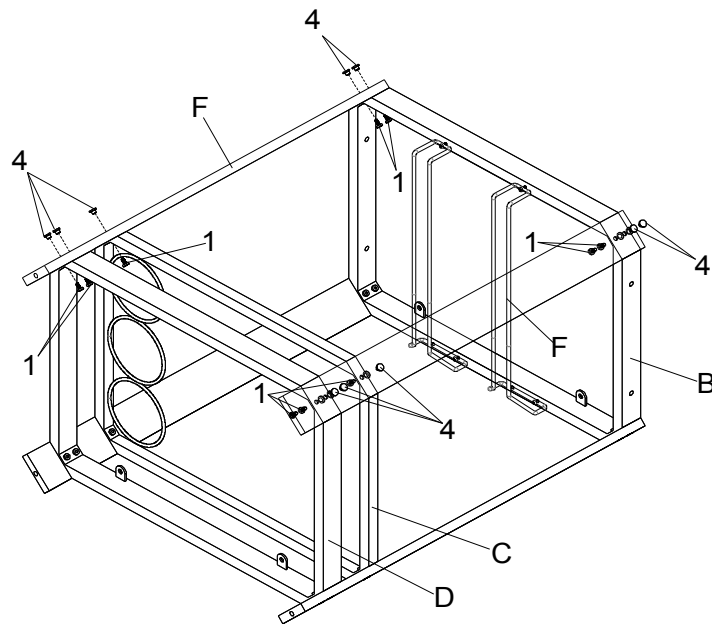
STEP 1



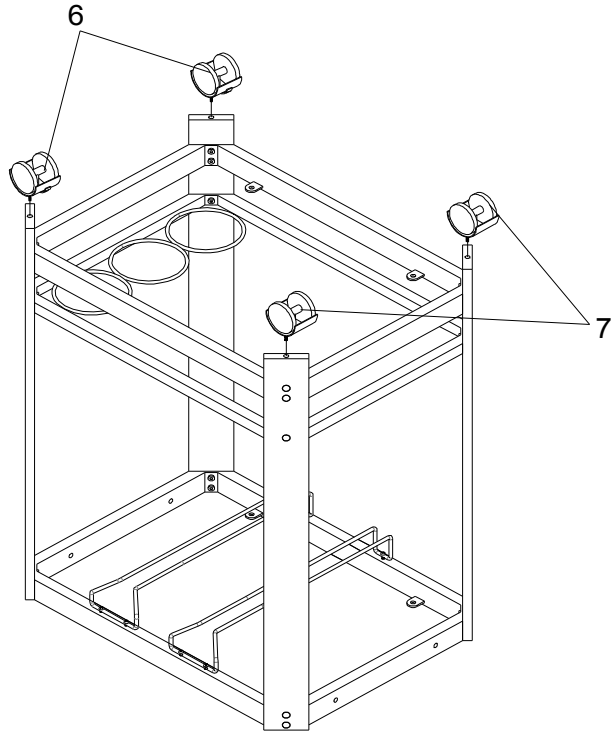
STEP 2



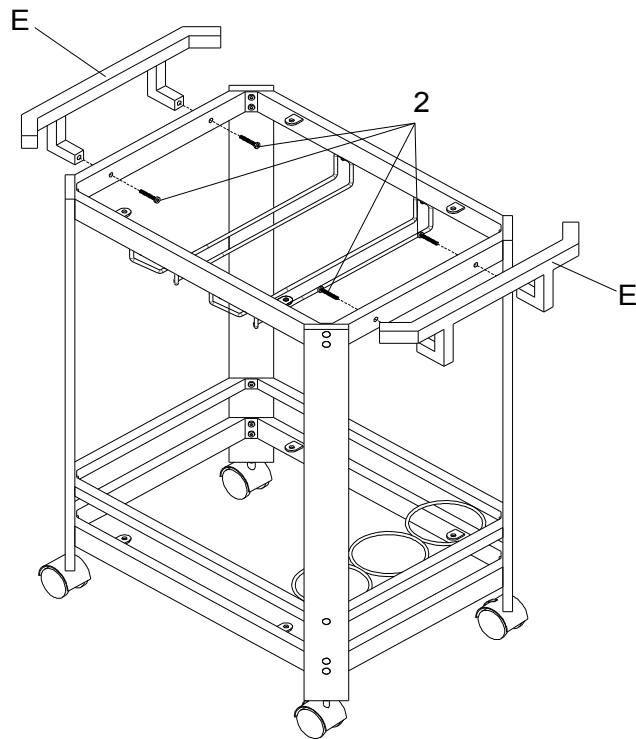
STEP 3



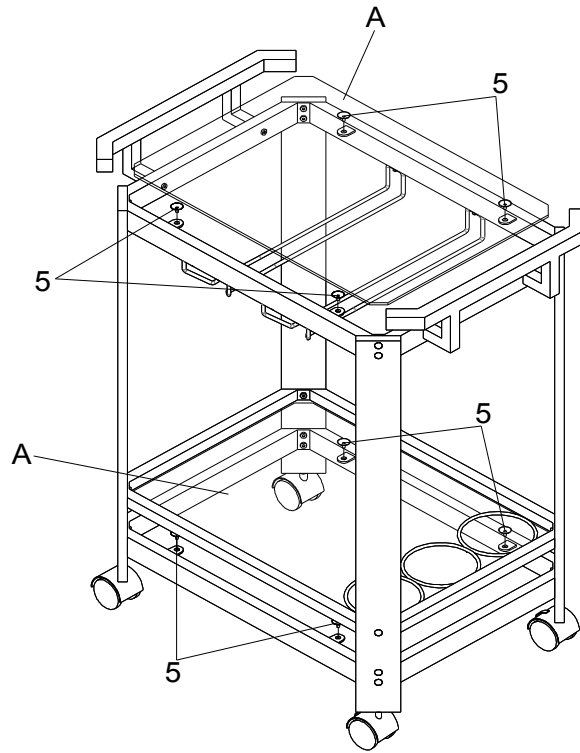
STEP 4



STEP 5



STEP 6



FINISH

