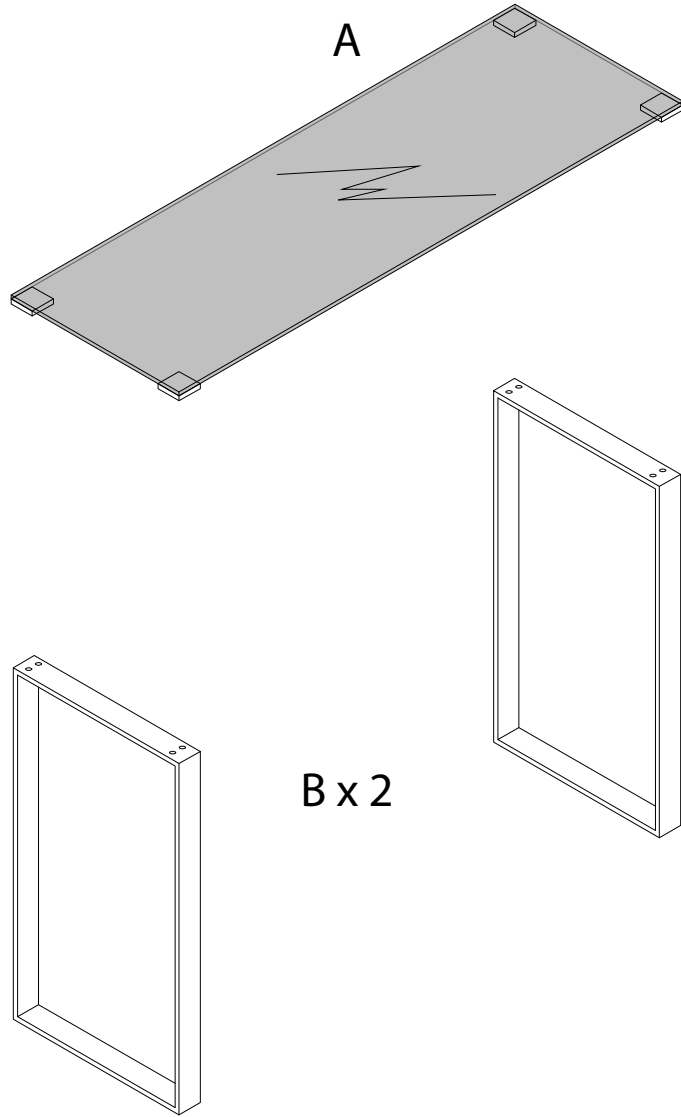


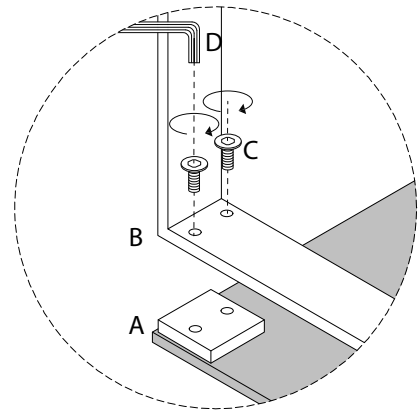
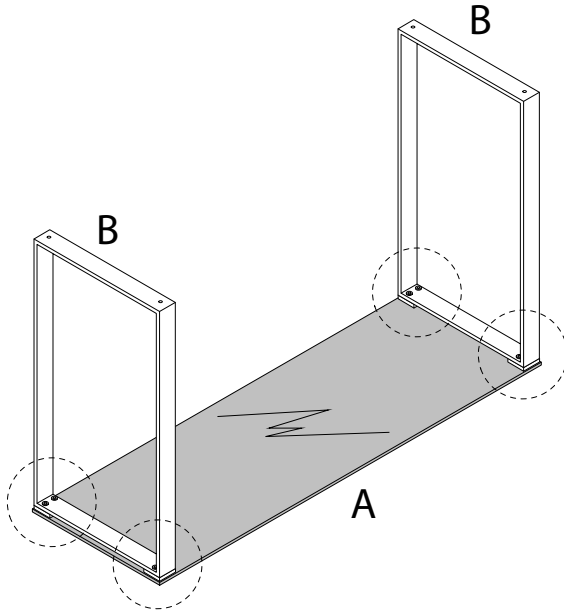
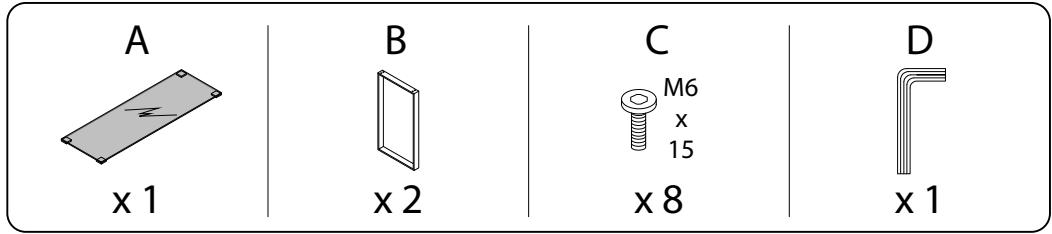
Diagram illustrating assembly steps and safety warnings:

- Step 1:** Shows an L-shaped corner bracket being inserted into the frame. A power drill is shown with a diagonal line through it, indicating that a drill should not be used on this part. A warning triangle with an exclamation mark is positioned to the right.
- Step 2:** Shows a rectangular block being placed on a surface. A power drill is shown with a diagonal line through it, indicating that a drill should not be used on this part. A warning triangle with an exclamation mark is positioned to the right.
- Time:** A clock icon is shown with the text "15'" below it, indicating a 15-minute assembly time.
- Person:** A stick figure icon is shown with the text "1" below it, indicating that one person is required for assembly.



A	B	C	D	E
		<p>M6 x 15</p>		
x 1	x 2	x 8	x 1	x 4

1



2

