

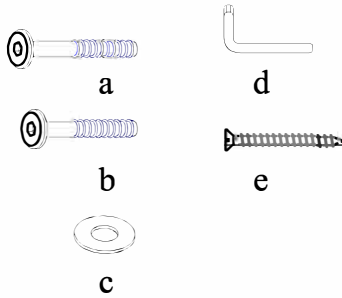
# MINI DESK

# SERIES

## Assembly Instructions

### A . Components :

- 1. Top Desk 1 x
- 2. Legs 2 x
- 3. Stretcher 1 x



### B . Hardware :

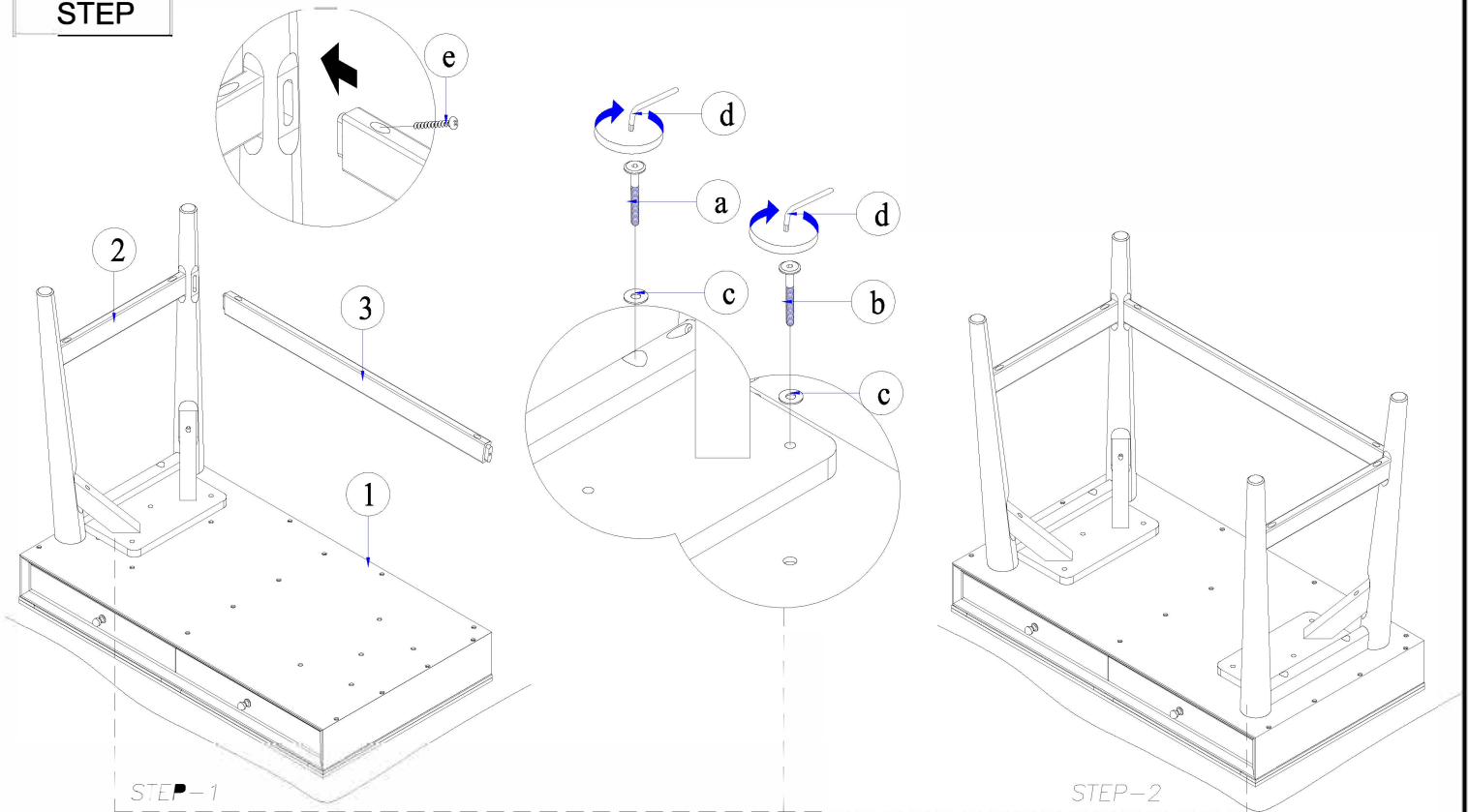
- a. Allen Bolt Long 4 x
- b. Allen Bolt Short 6 x
- c. Flat Washer 10 x
- d. Allen Key 1 x
- e. Screw 2 x

### C . Tool Required :

- 1. Screw Driver = (not included)



### STEP



### FINISH

