

INSTALLATION

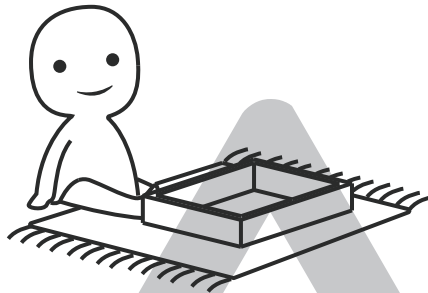
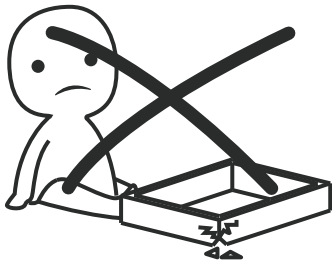
Product Manual

Version: 460114US-01-25A-AA



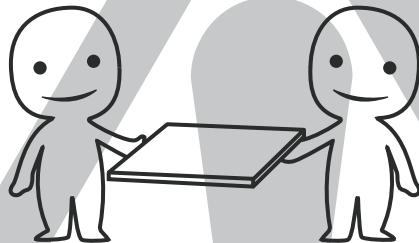
IMPORTANT INFORMATION!

please read the entire manual before starting to assemble and/or using this product. follow the manual thoroughly and keep it for further reference.



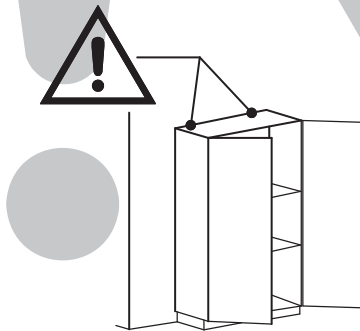
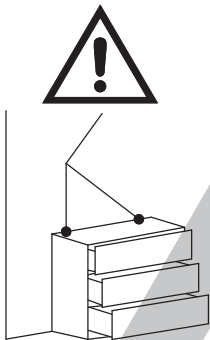
AVOID SCRATCHES!

In order to avoid scratching this furniture should be assembled on a soft layer - could be a rug.



IMPROVE EFFICIENCY !

Try to find a partner to install with you, which can speed up the installation efficiency and shorten the time.



ANTI-TOPPLE WARNING !

Overtipped furniture can cause serious or fatal crush injuries. To prevent tipping over, be sure to use the wall attachment, if not included with this product. Please purchase the wall attachment that fit your wall. If unsure, seek professional advice. Please read and follow each step of the instructions carefully.

IMPORTANT !

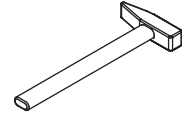
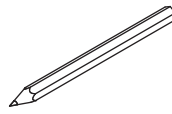
It is important that any product which is assembled using any kind of screw is re-tightened 2 weeks after assembly, and once every 3 months - in order to assure stability through-out the lifespan of the product.

For regular maintenance and cleaning of the product, for the frame, please use a rag dipped in neutral detergent to fully wipe it, and then dry it with a clean rag. For glass materials, wipe with a rag dampened with water glass cleaner, and then dry with a dry rag.

Do not use an electric screwdriver, and do not use too much force when installing, because the board is easy to break.

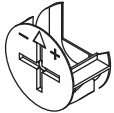


Please prepare the following tools



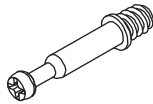
When installing, please carefully confirm whether each screw corresponds to the manual, accessories with similar shapes can be distinguished by size

A x 38



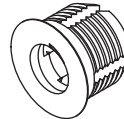
CRB1595A

B x 38

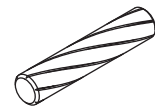


CRA0635B

C x 38



D x 48



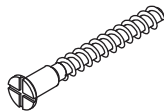
CRF0630A

E x 9



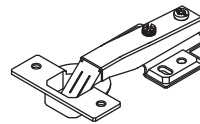
CRF0620A

F x 34



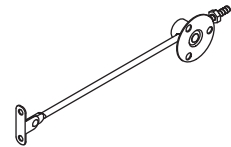
CRC0540A

G x 5

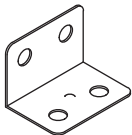


DGA861A

H x 4



J x 4

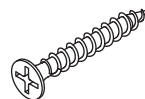


K x 66



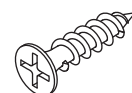
CRD3514A

L x 18



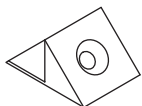
CRD3525A

M x 15

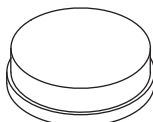


CRD0314A

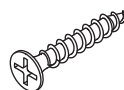
N x 15



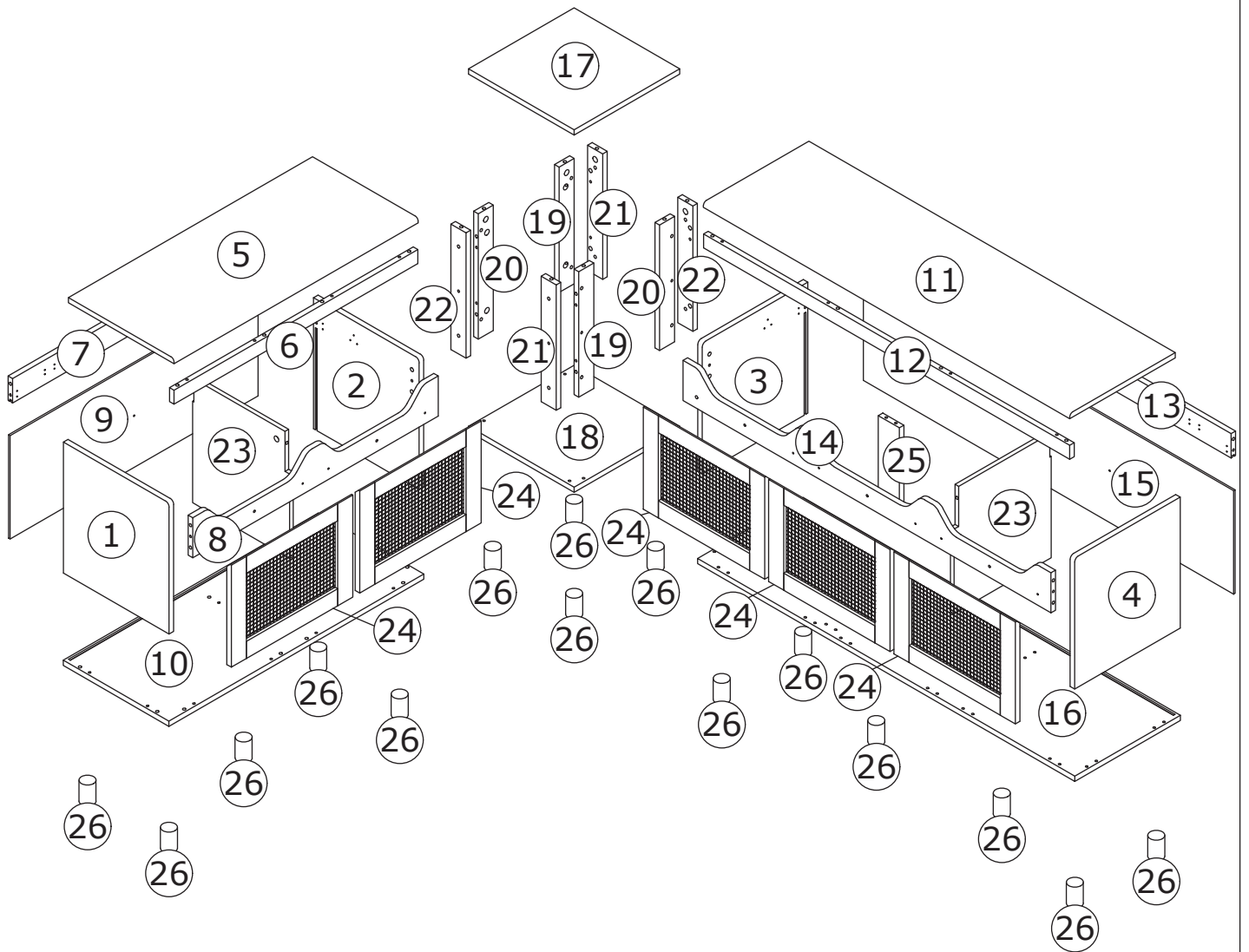
P x 11



Q x 2



CRD3520A



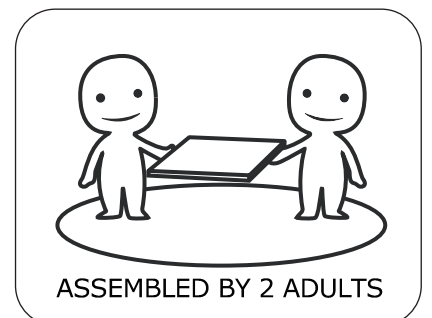
⚠ WARNING

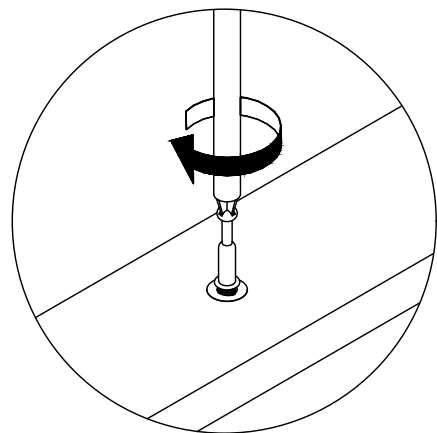
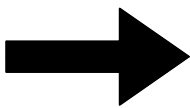
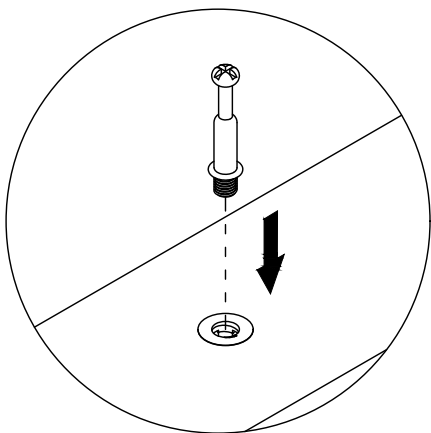
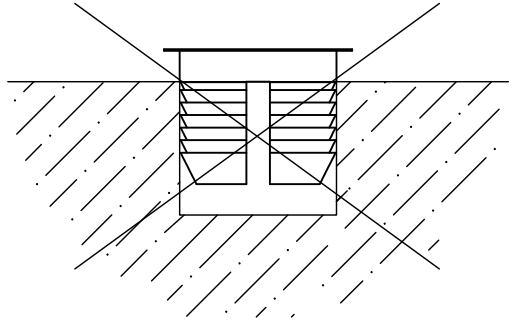
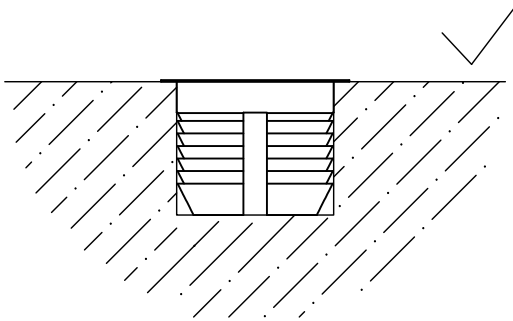
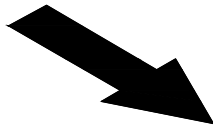
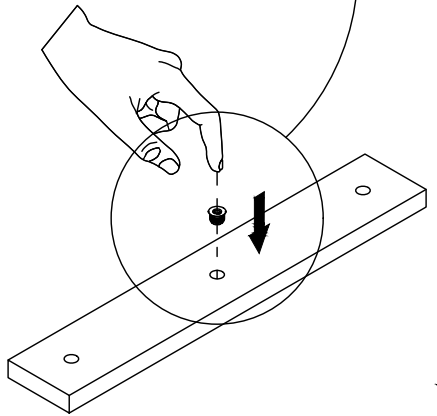
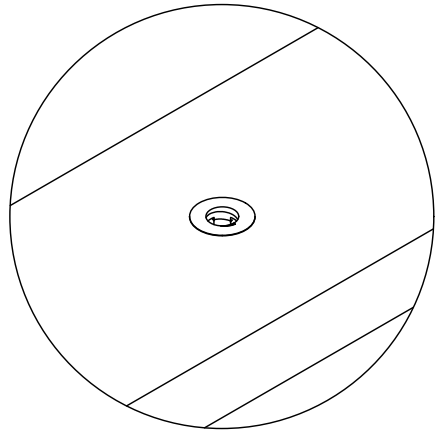
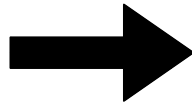
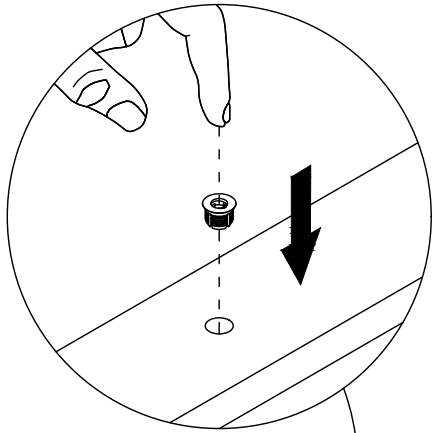


Children have died from furniture tipover. To reduce the risk of furniture tipover:

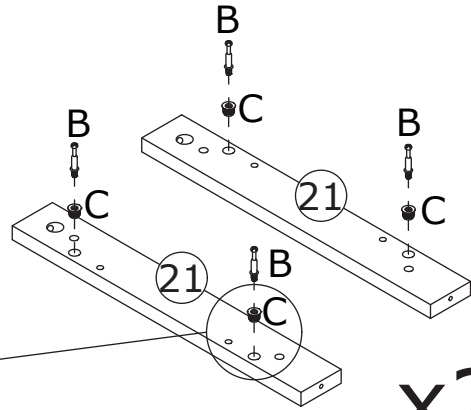
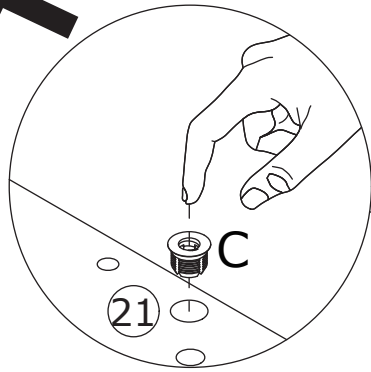
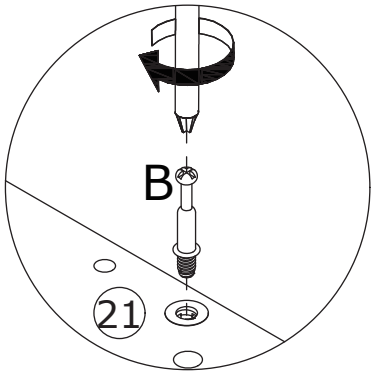
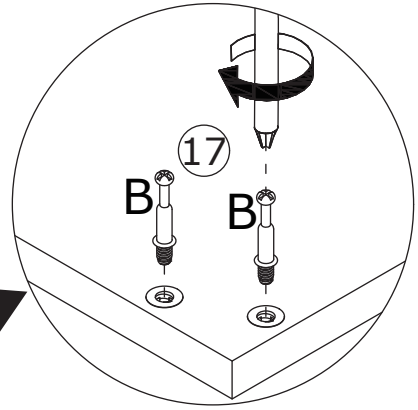
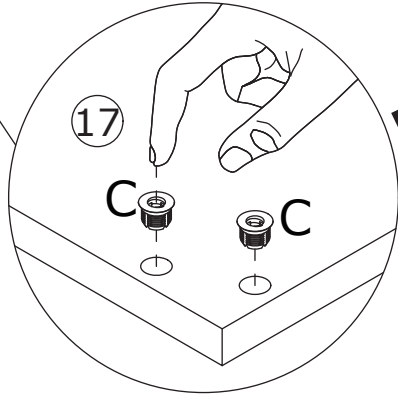
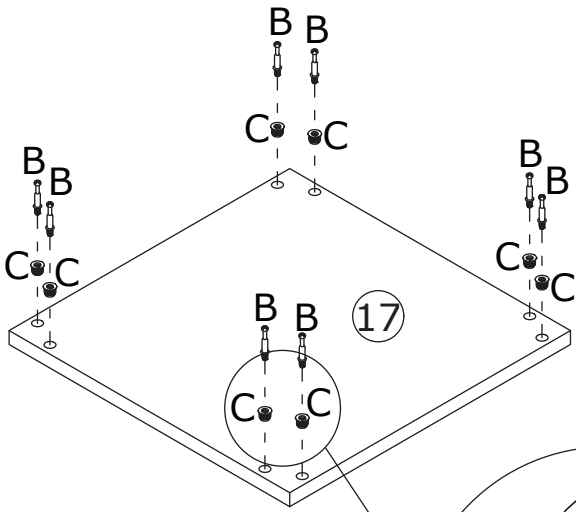
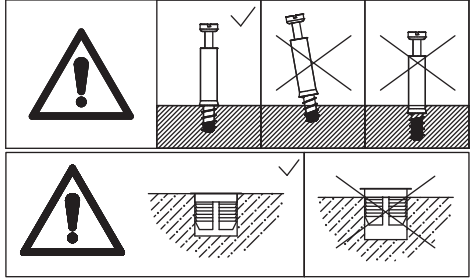
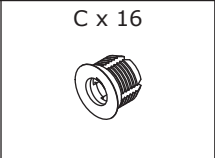
- ALWAYS install Anti-tip device provided.
- NEVER put a TV on this product.
- NEVER allow children to stand, climb or hang on drawers, doors, or shelves.
- NEVER open more than one drawer at a time.
- Place heaviest items in the lowest drawers.

*This is a permanent label.
Do not remove!*





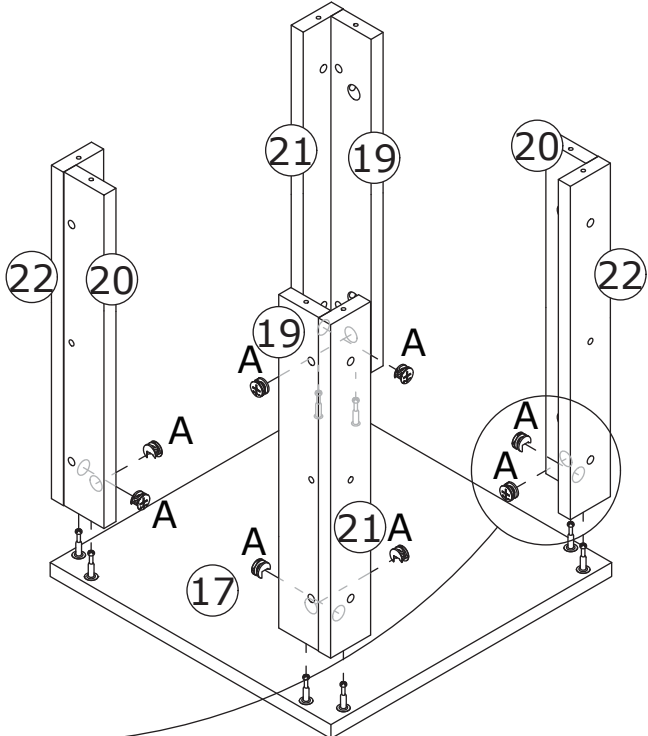
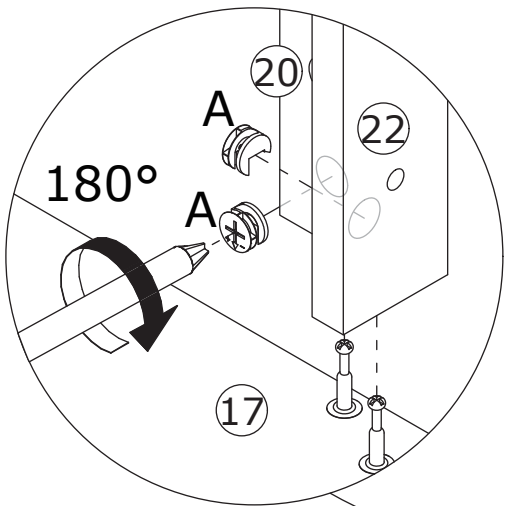
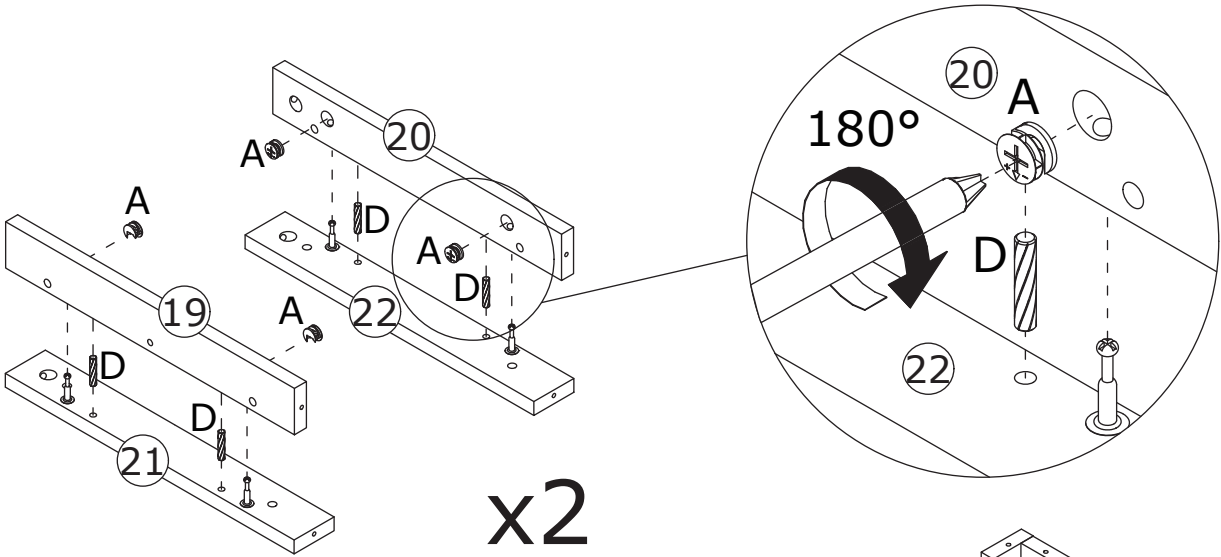
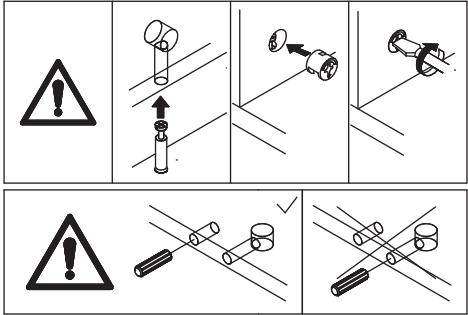
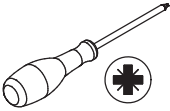
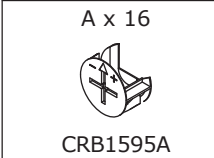
1



x2

Attach component (C) into panels 17, 21, and 22, then screw the self-tapping rod (B) into.

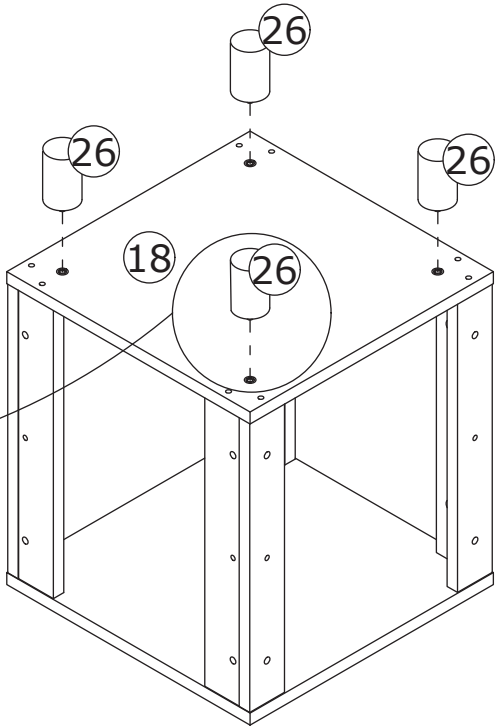
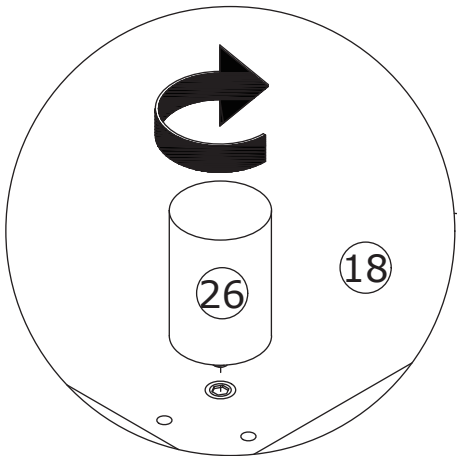
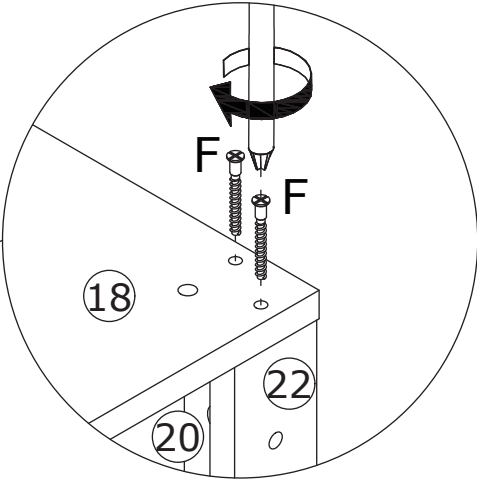
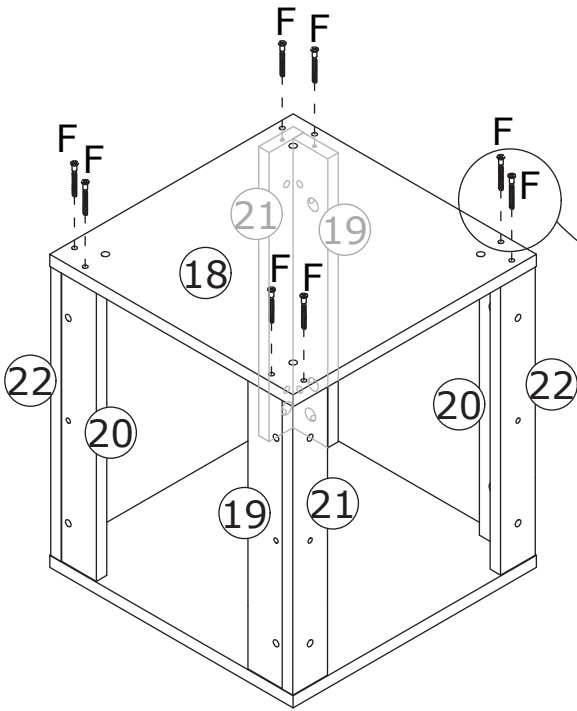
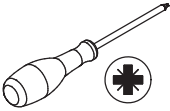
2



Connect panel 19 to panel 19 to panel 21; panel 20 to panel 22 using wooden dowels (D), then attach the eccentric wheel (A) and tighten it by turning clockwise.
Connect panel 19, 21, 20 and 22 to panel 17, attach the eccentric wheel (A) and tighten it by turning clockwise.

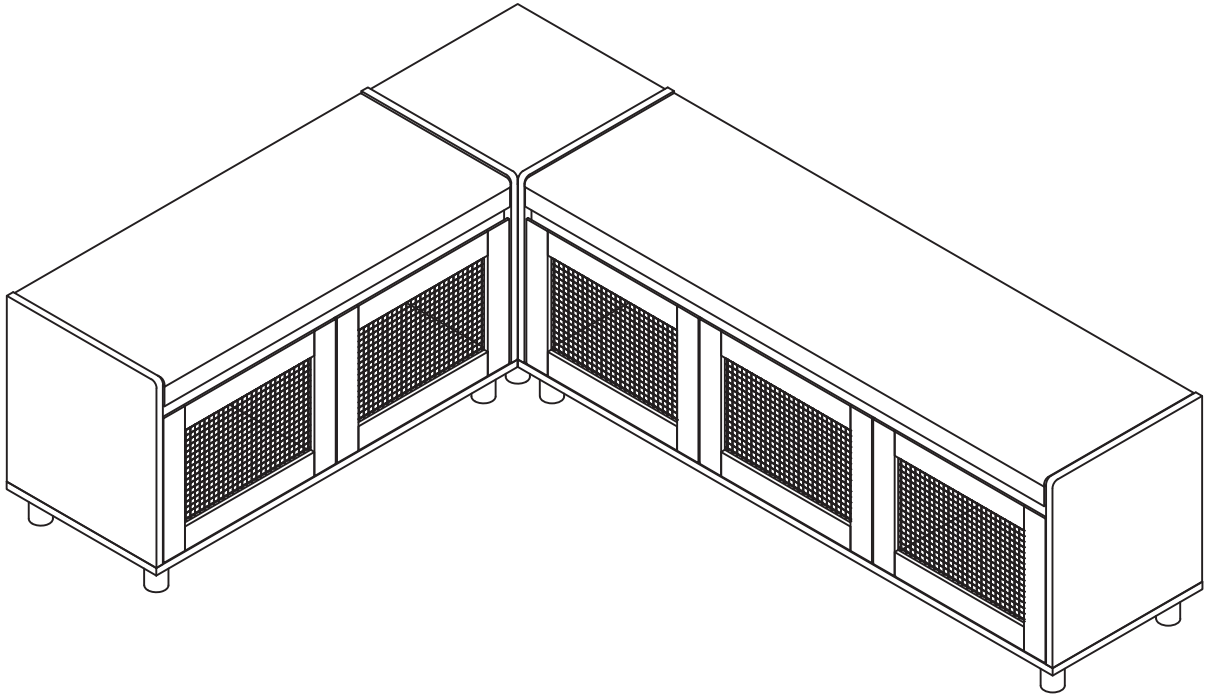
3

F x 8
CRC0540A



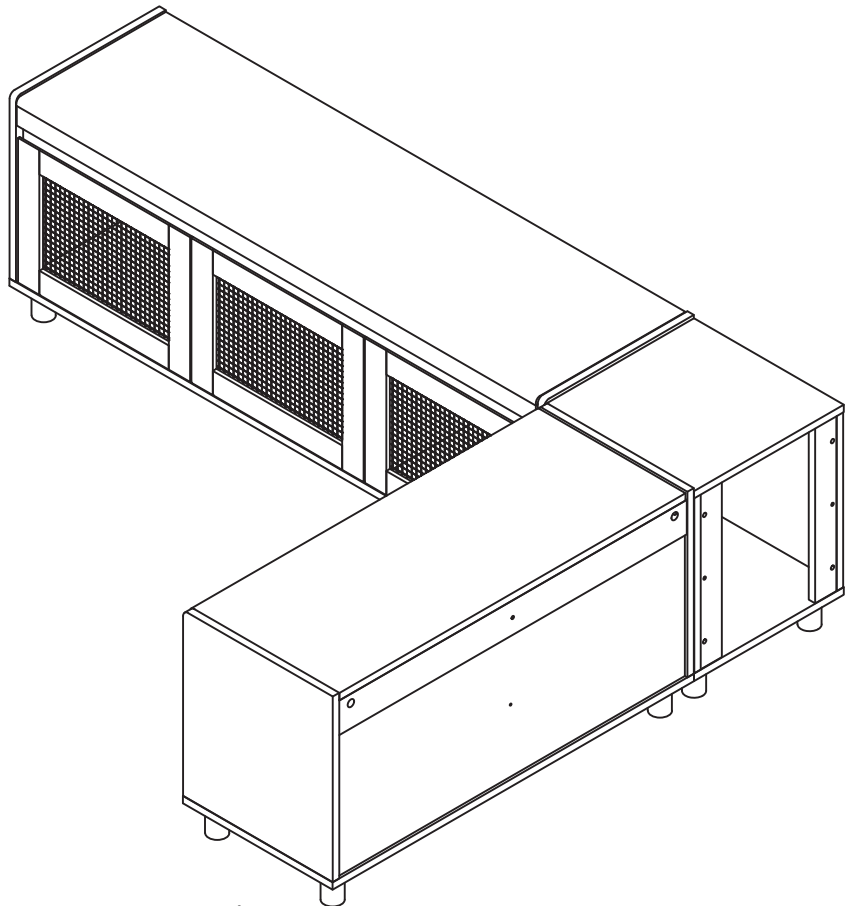
Secure panel 18 to panels 19, 20, 21, and 22 using screw (F).
Attach leg 26 into panel 18.

Option A



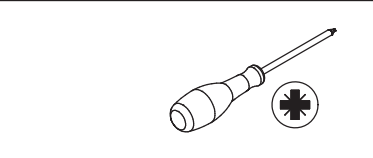
Page: 10-41

Option B



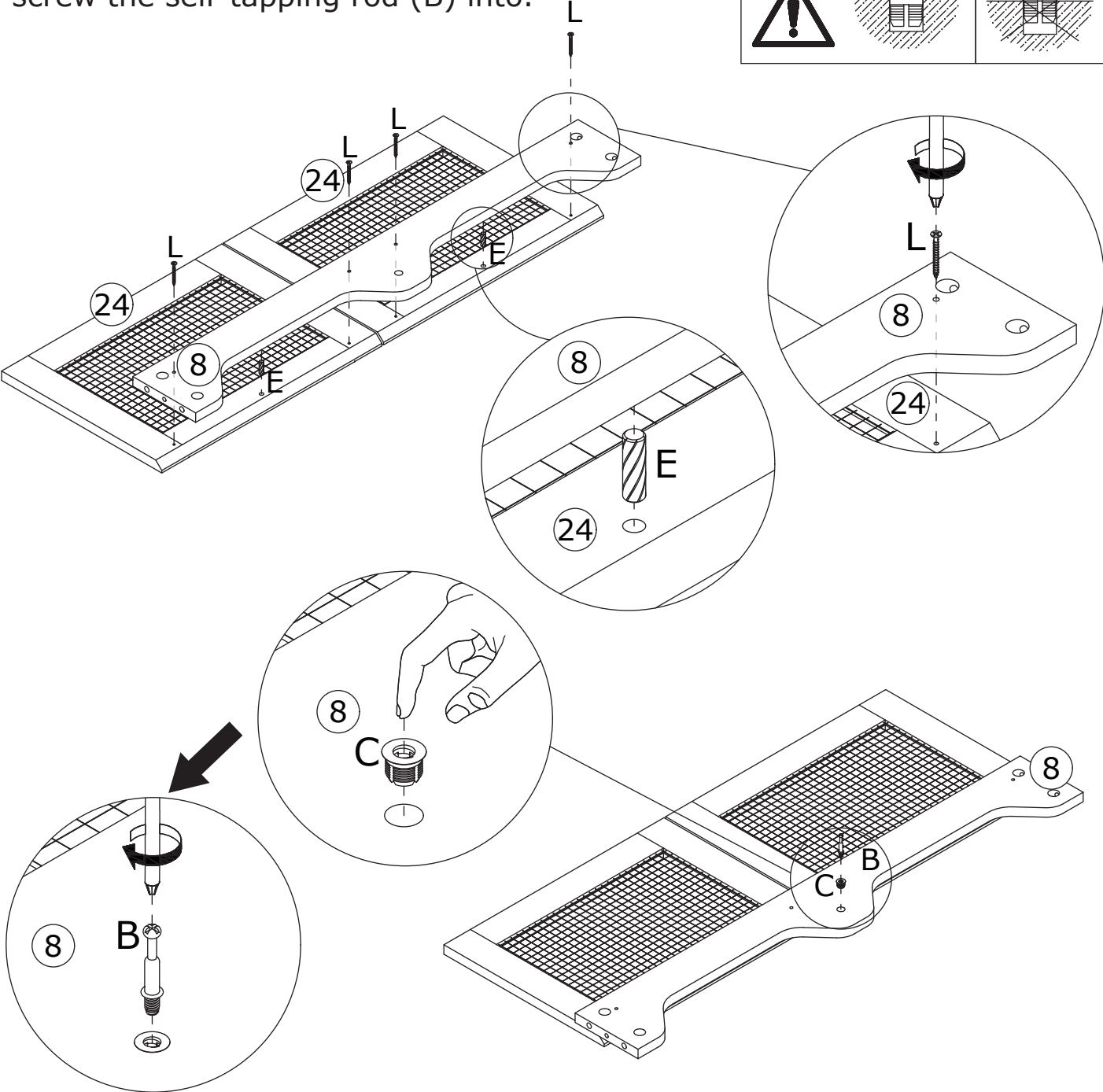
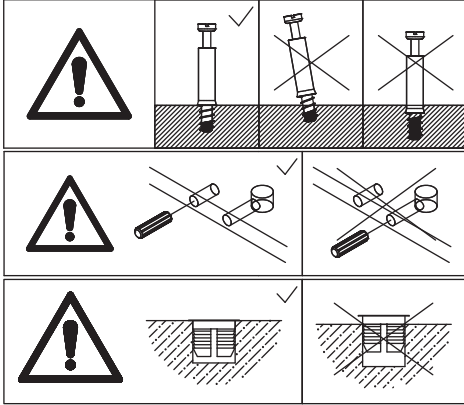
Page: 42-73

4

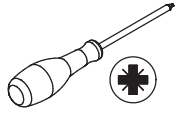
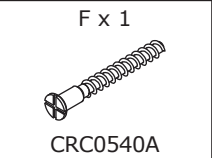
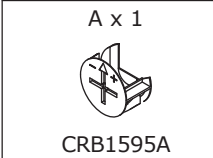


Option A

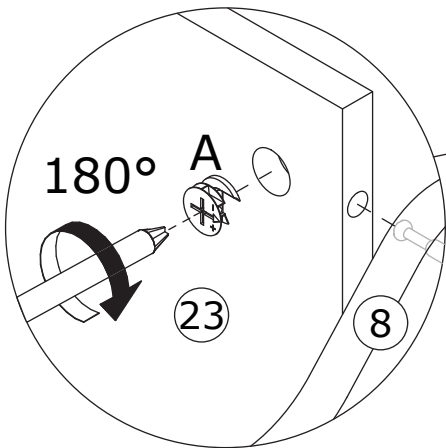
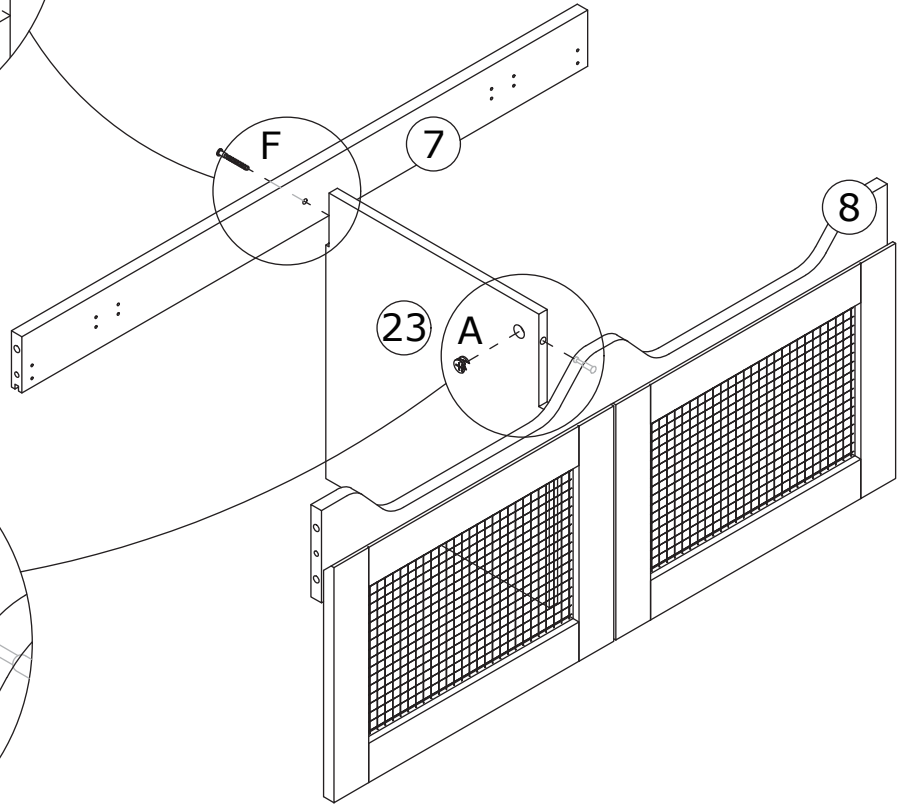
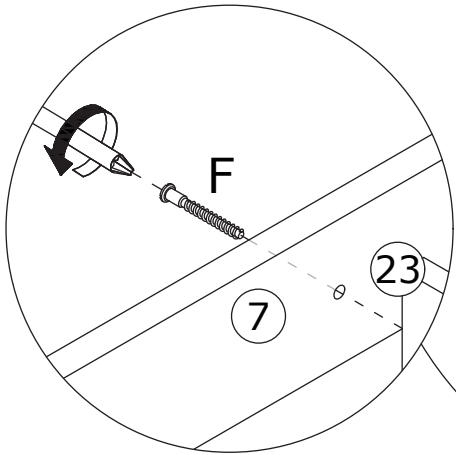
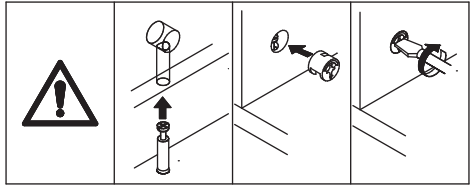
Connect panel 8 to panel 24 using wooden dowel (E), and secure with screws (L). Attach component (C) into panel 8, and screw the self-tapping rod (B) into.



5

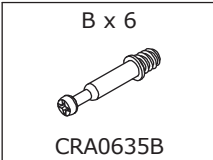


Option A

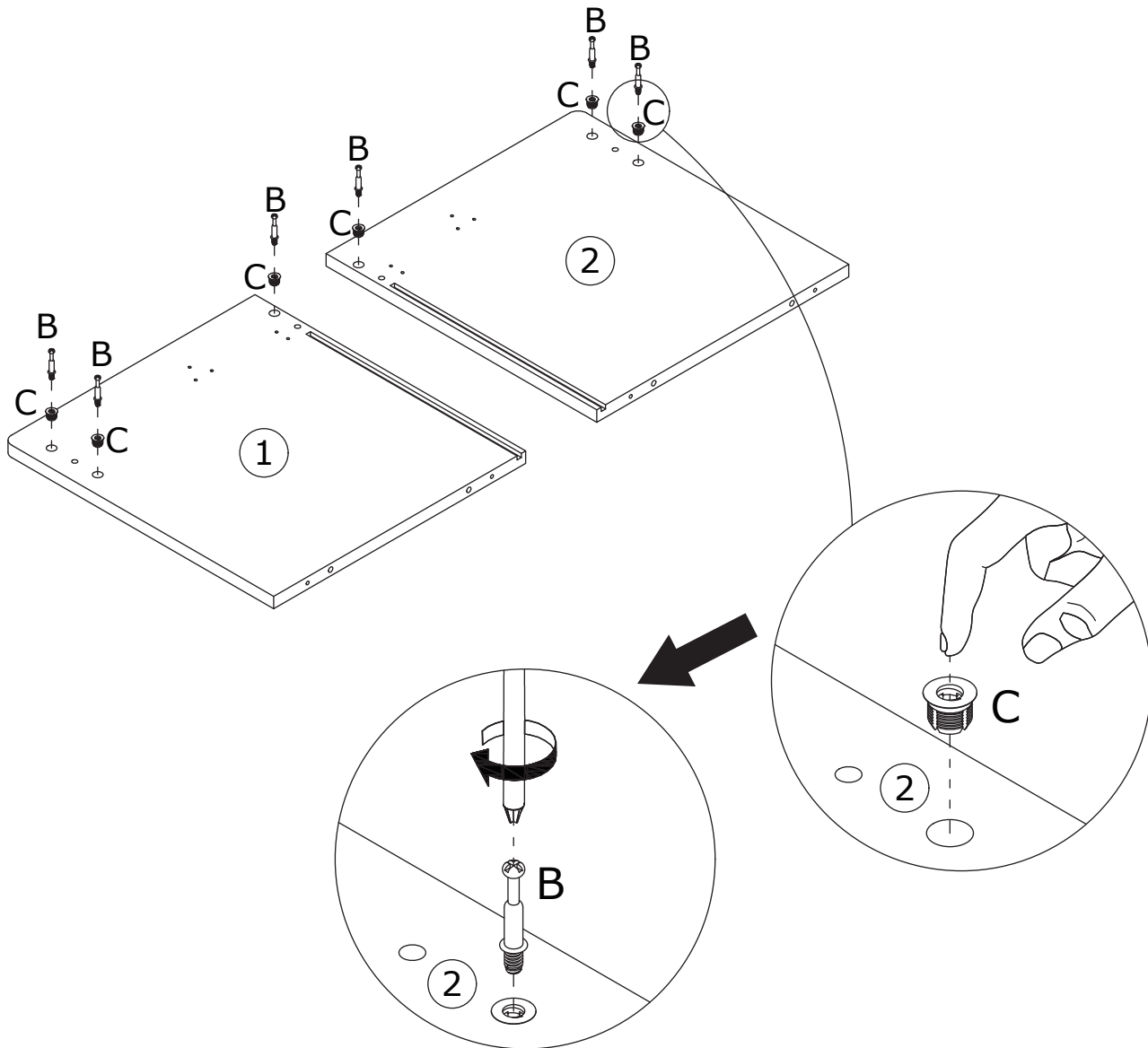
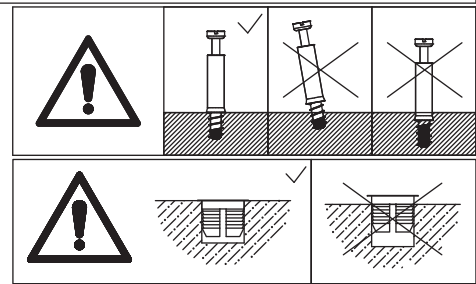


Connect panels 7 and 8 to panel 23 using screw (F), then attach the eccentric wheel (A) and tighten it by turning clockwise.

6

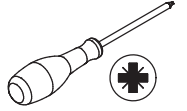
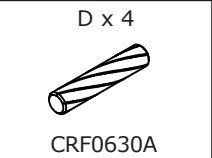
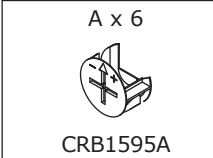


Option A

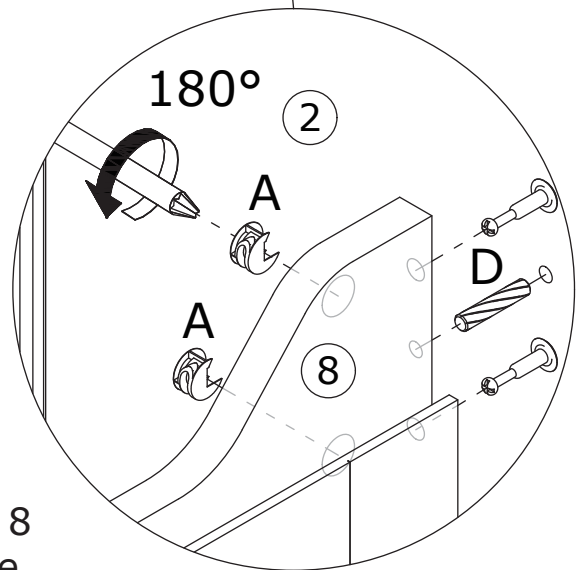
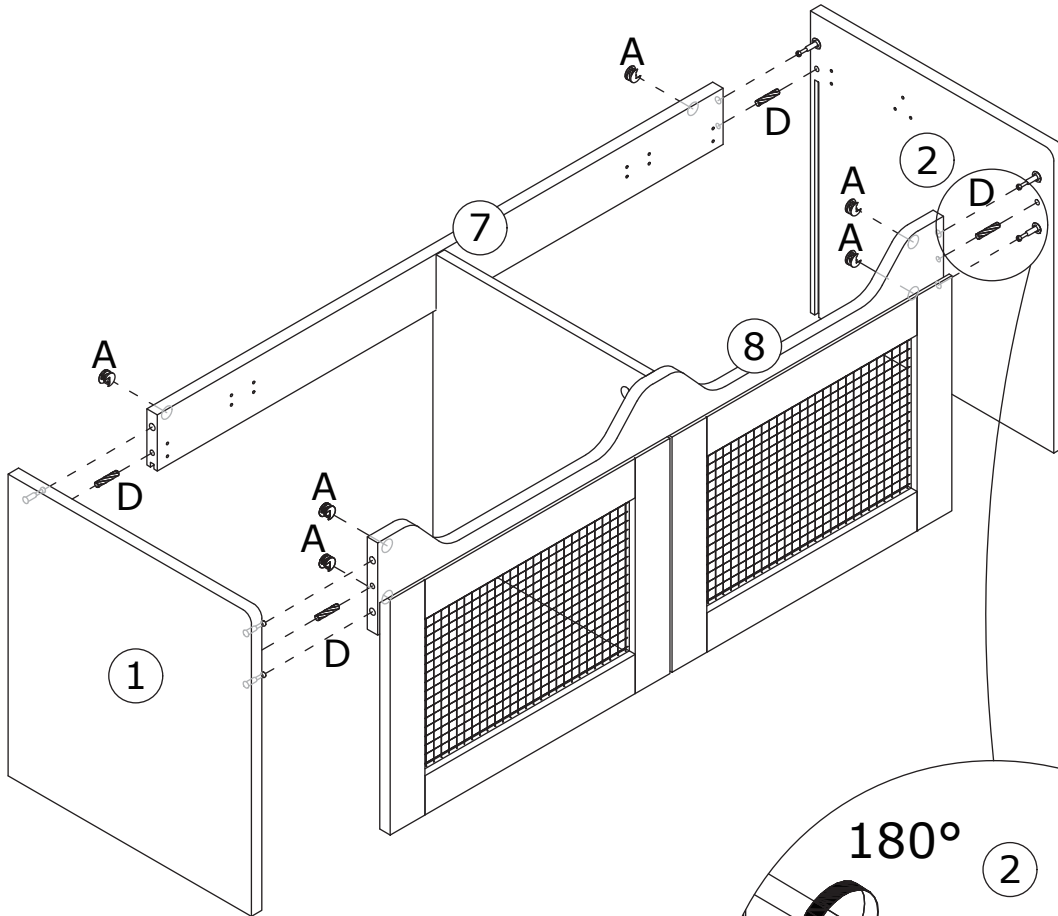
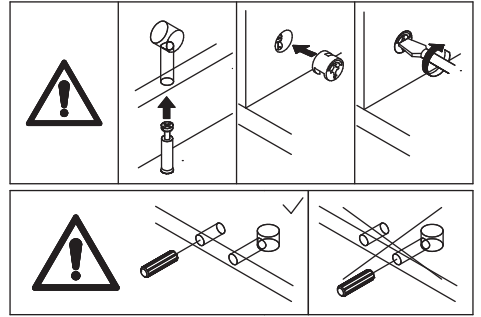


Attach component (C) into panels 1 and 2, then screw the self-tapping rod (B) into.

7

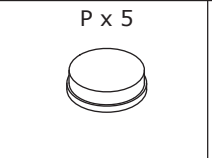
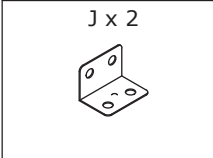


Option A

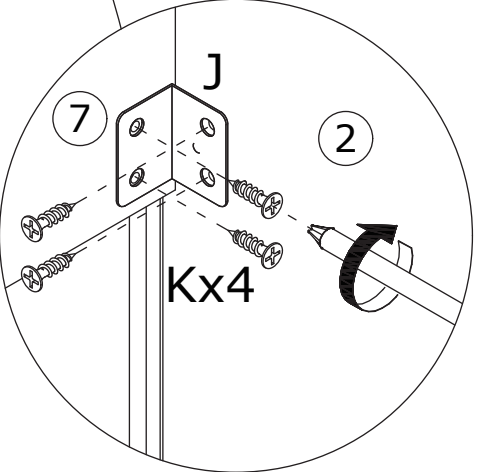
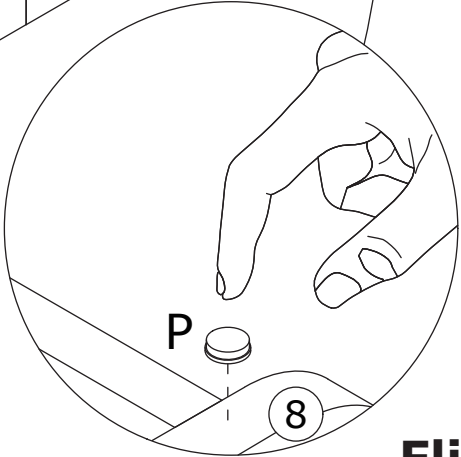
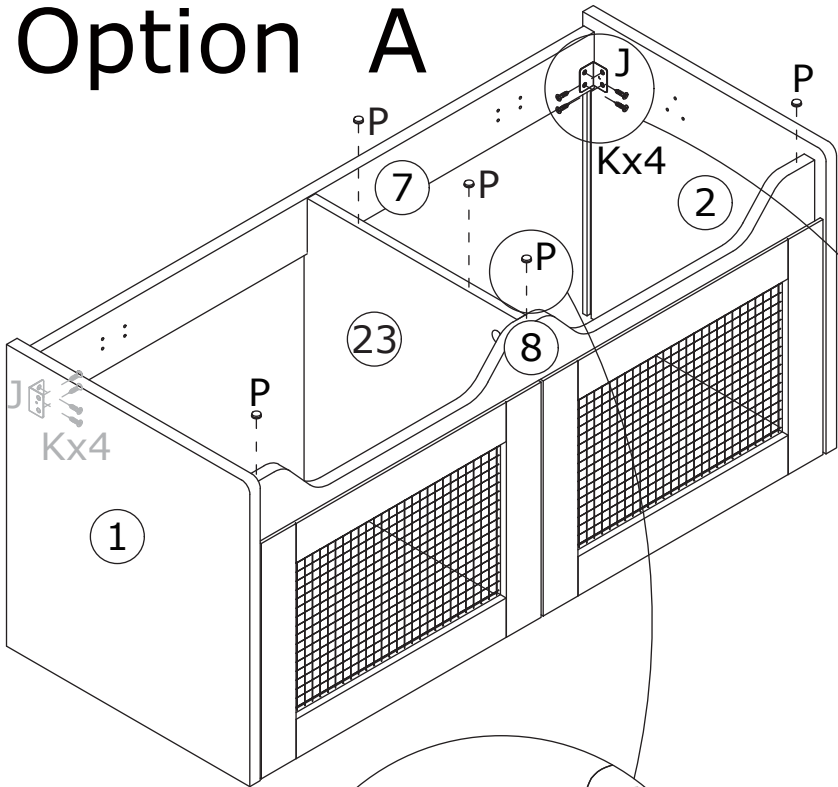
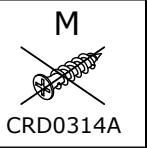


Connect panels 1 and 2 to panels 7 and 8 using wooden dowel (D), then attach the eccentric wheel (A) and tighten it by turning clockwise.

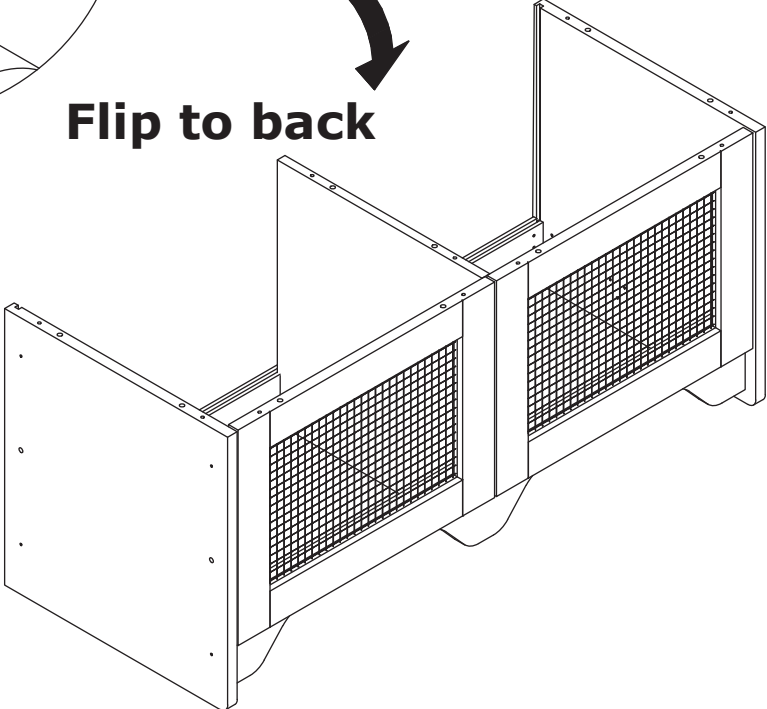
8



Option A



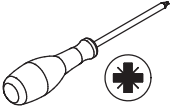
Flip to back



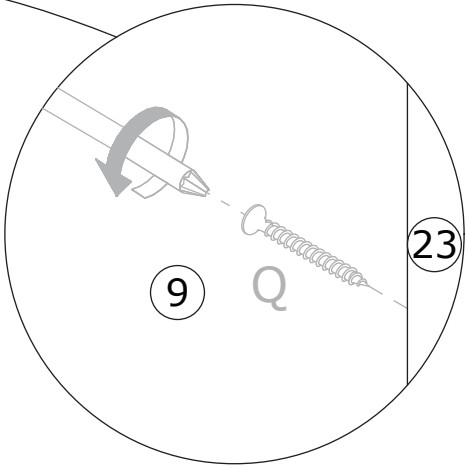
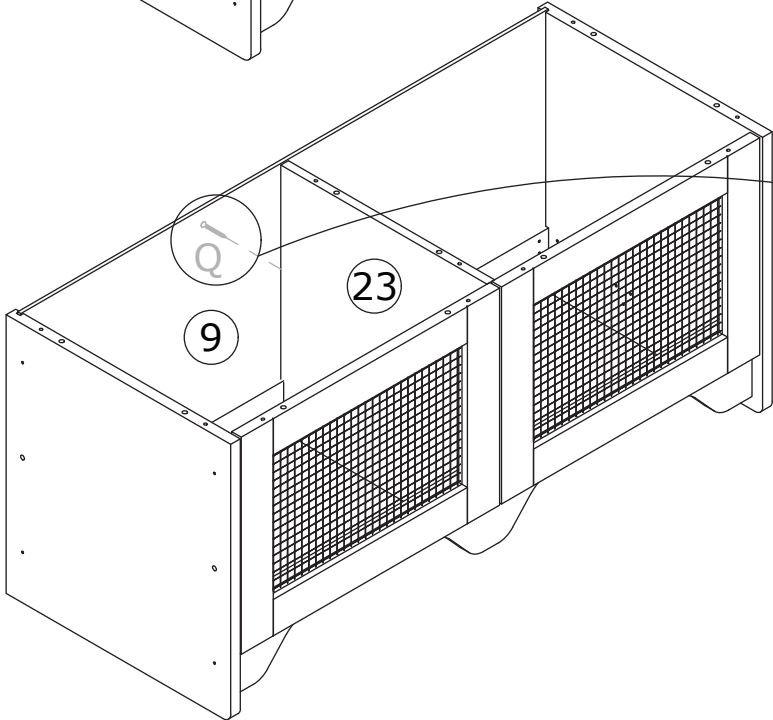
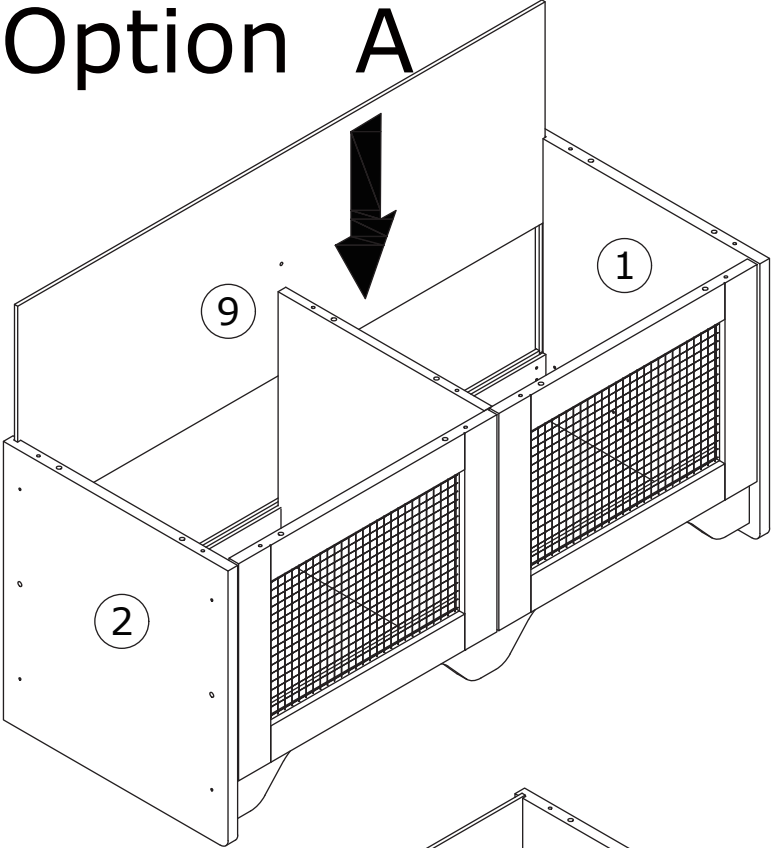
Secure component (J) into panels 1, 2, and 7 using screws (K).
Attach component (P) into panels 8 and 23.
Flip the cabinet body.

9

Q x 1
CRD3520A



Option A

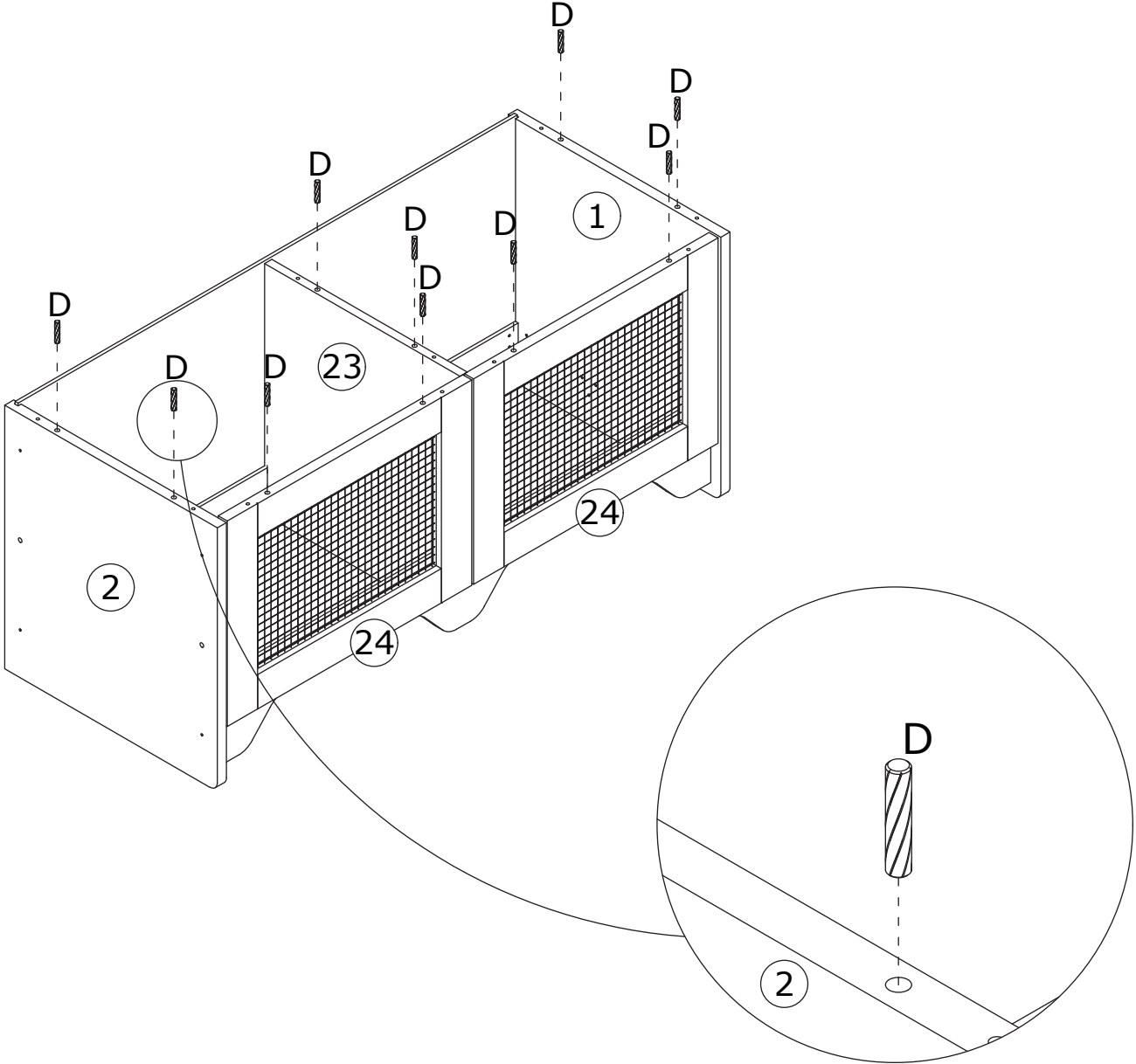
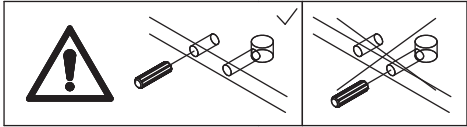


Insert panel 9 into the available slots and secure it to panel 23 using screw (Q).

10

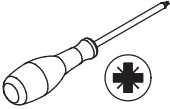


Option A

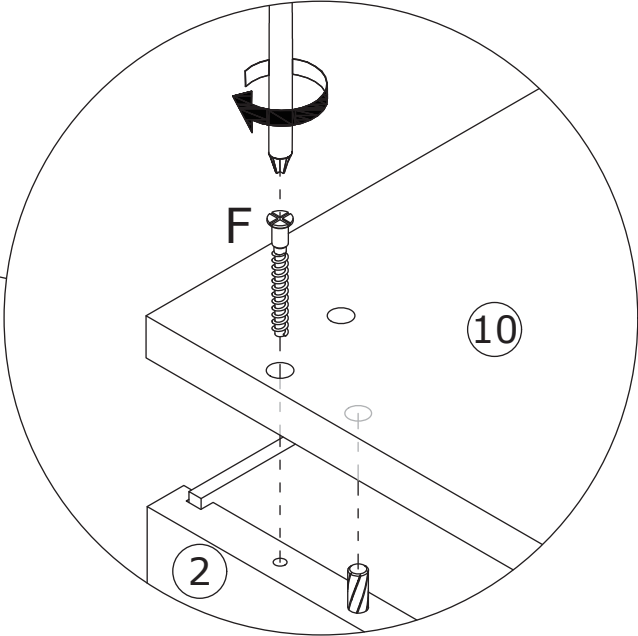
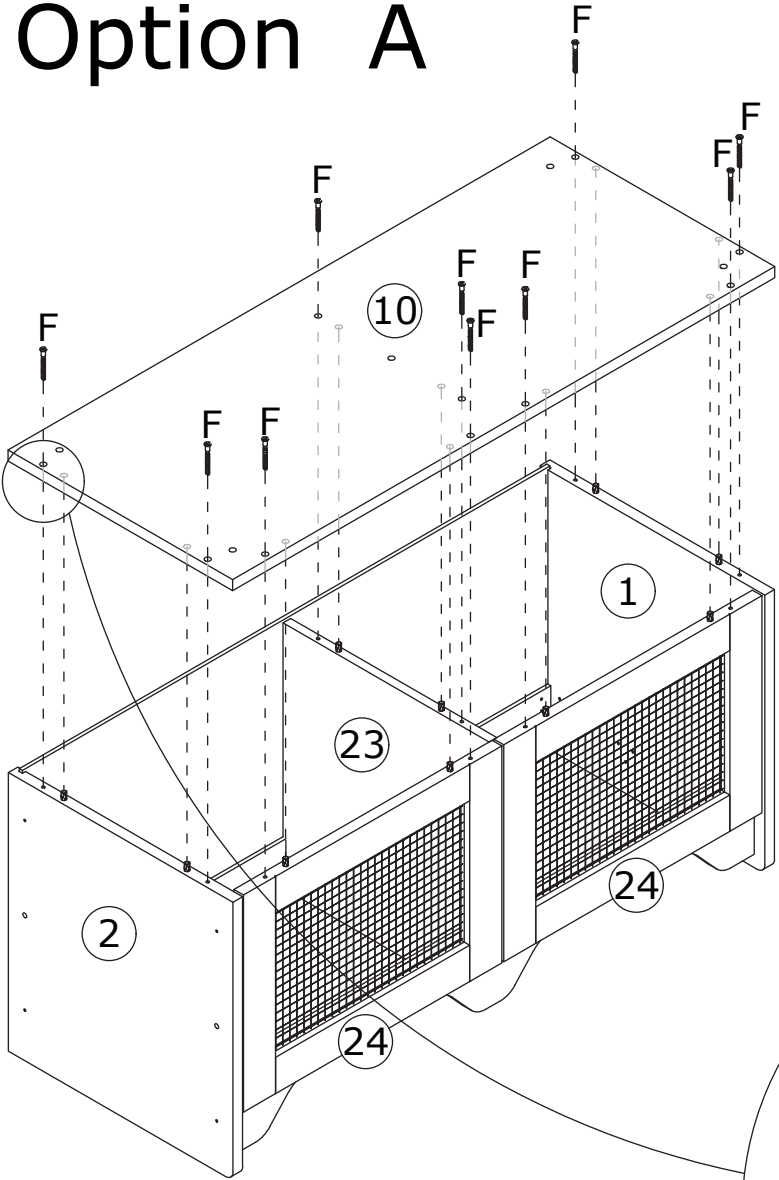


Insert wooden dowel (D) into panels 1, 2, 23 and 24.

11



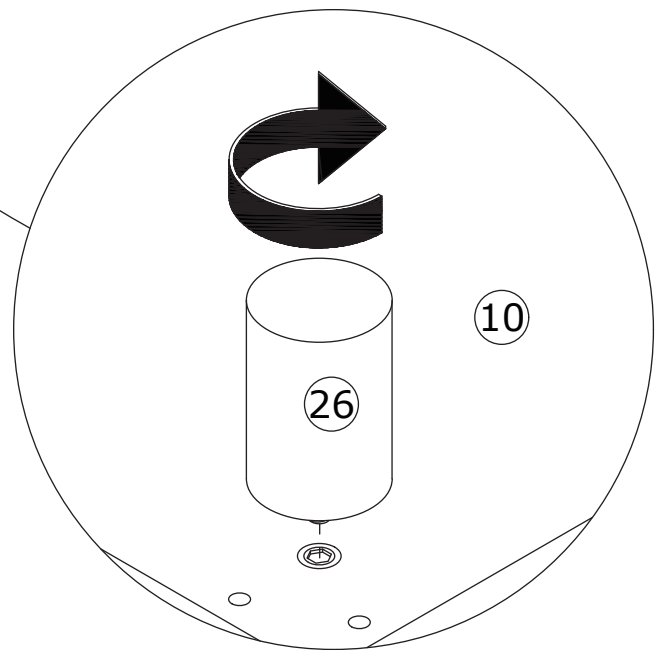
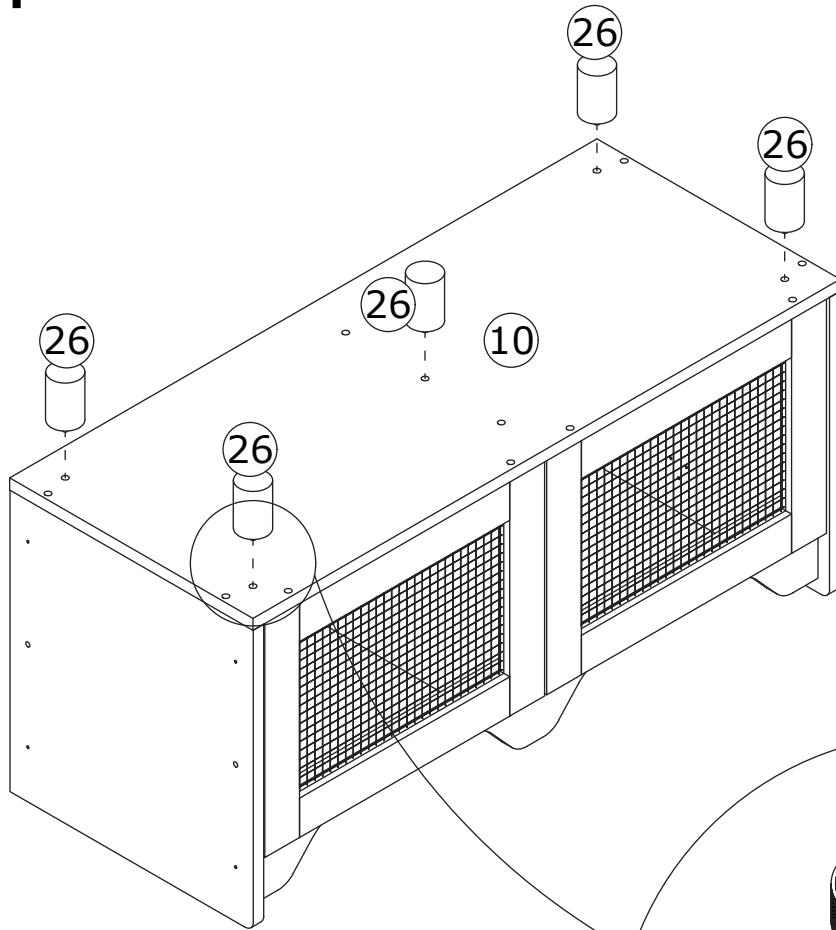
Option A



Secure panel 10 to the mounting unit using screw (F).

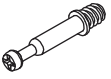

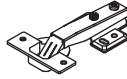

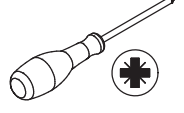
12

Option A

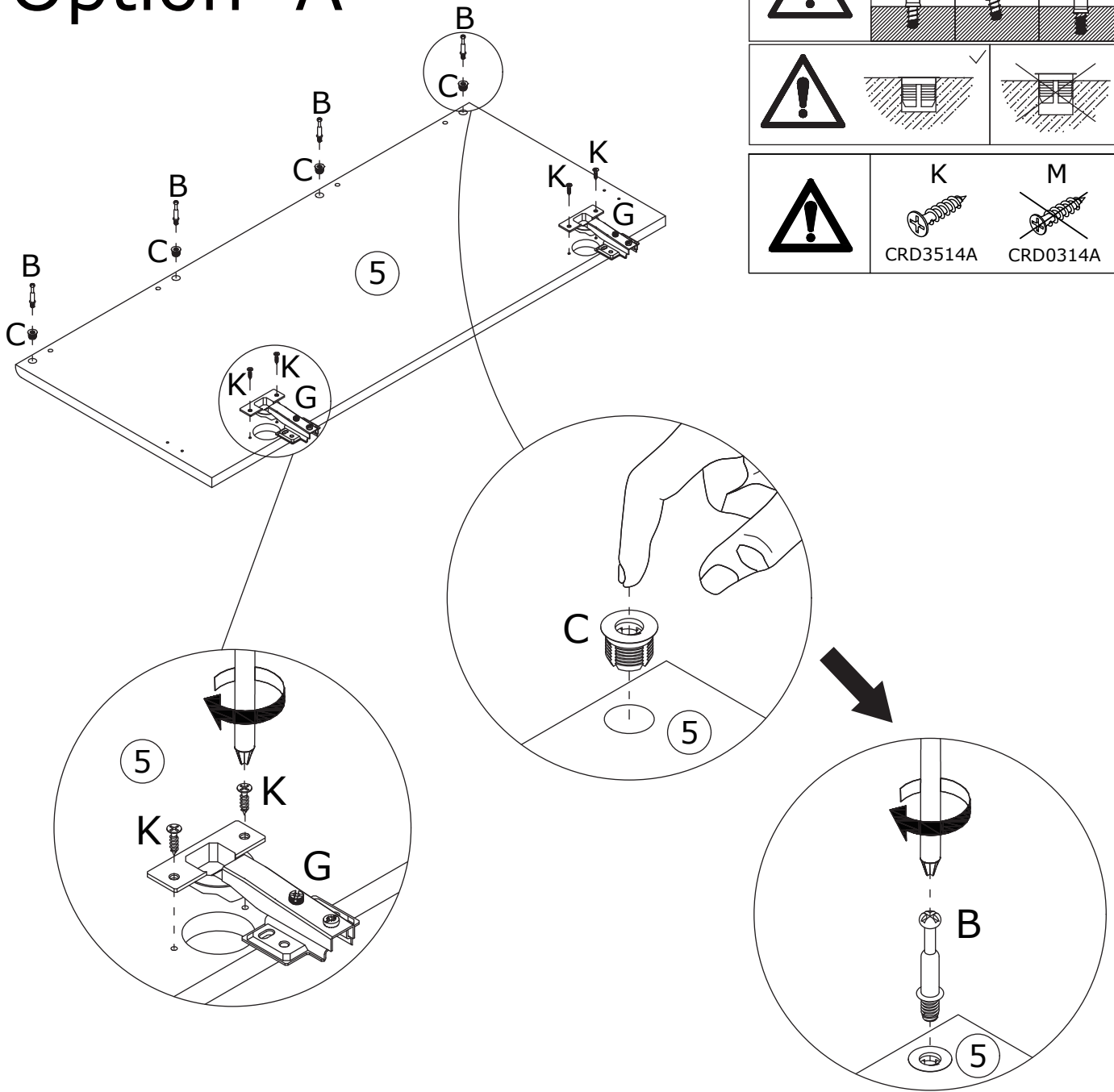
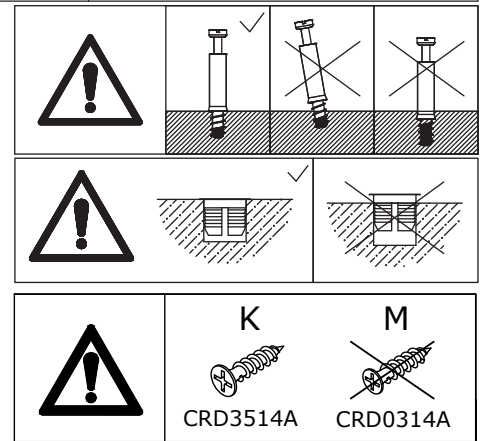


Attach leg 26 into panel 10.

13

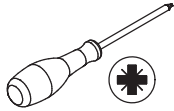
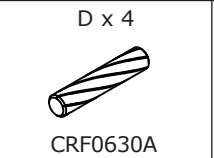
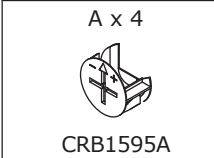
B x 4  CRA0635B	C x 4  C x 4	G x 2  DGA861A	K x 4  CRD3514A	
--	---	---	---	---

Option A

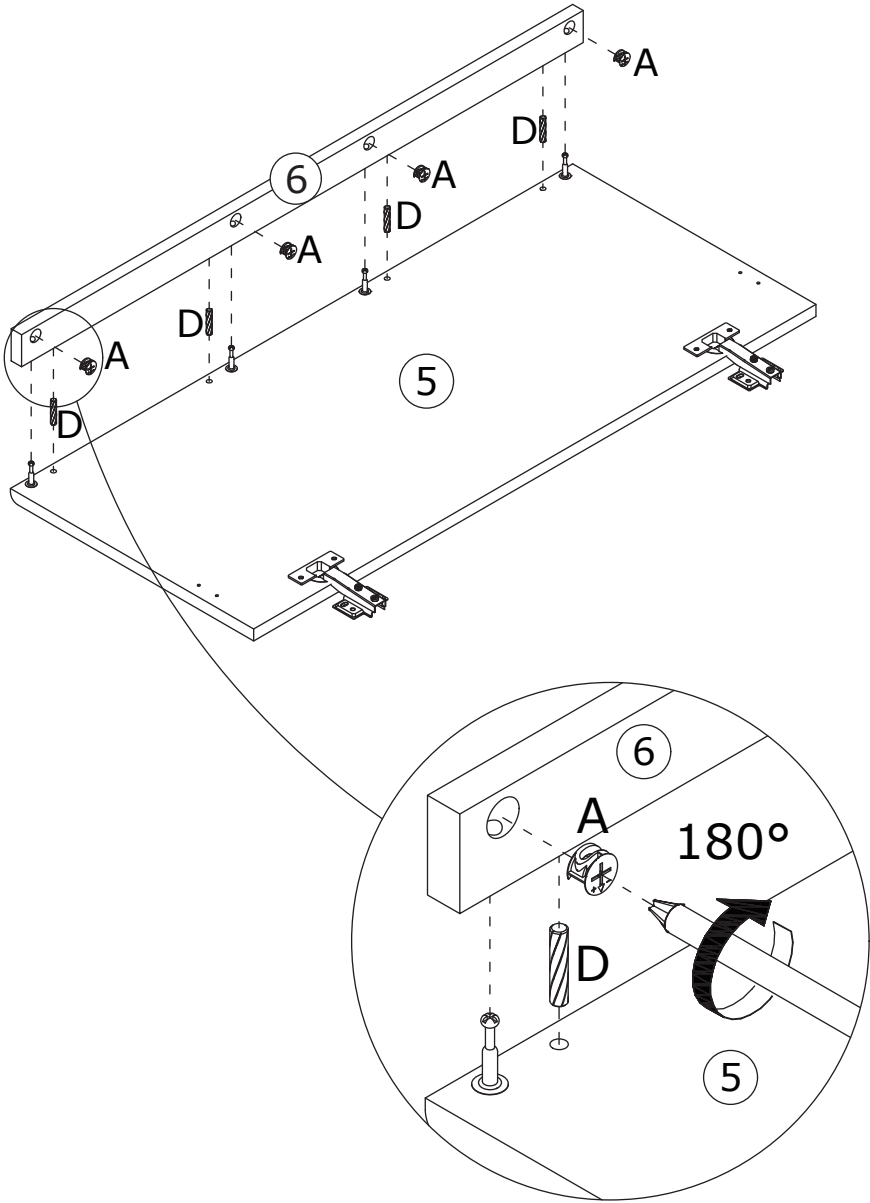
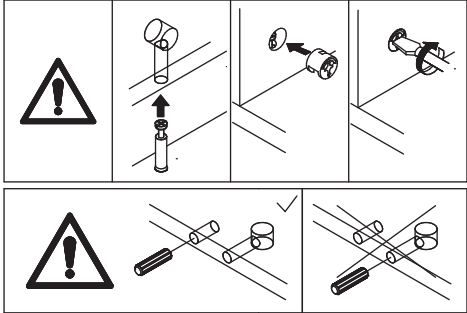


Add component (C) into panel 5, screw self-tapping rod (B) into, and secure hinge (G) to panel 5 using screw (K).

14



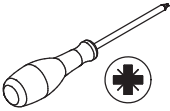
Option A



Connect panel 6 to panel 5 using wooden dowel (D), then attach the eccentric wheel (A) and tighten it by turning clockwise.

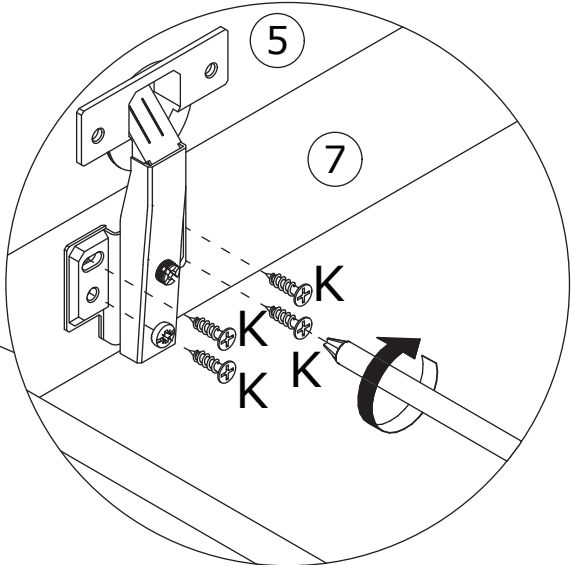
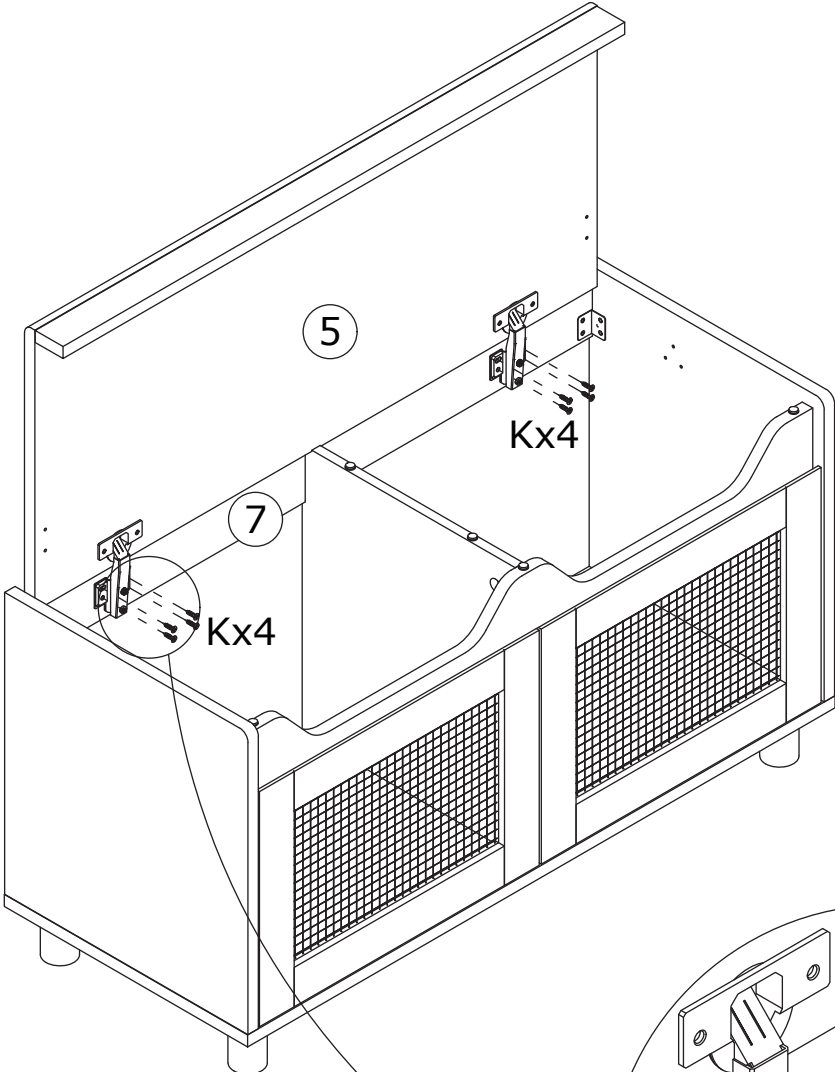
15

K x 8
CRD3514A



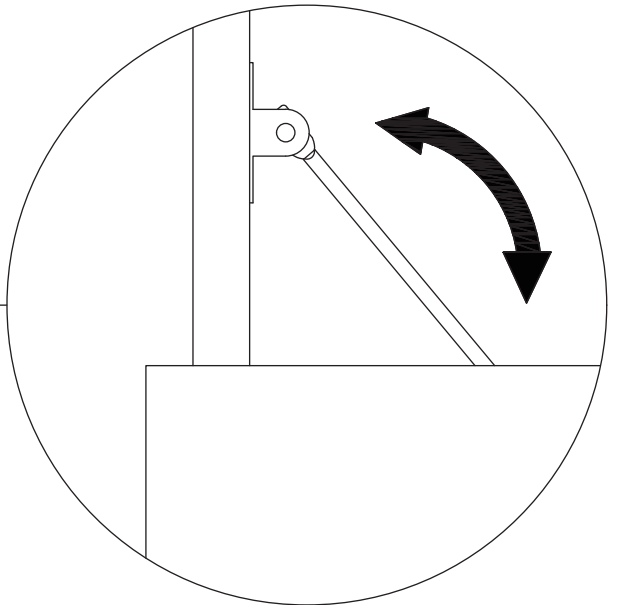
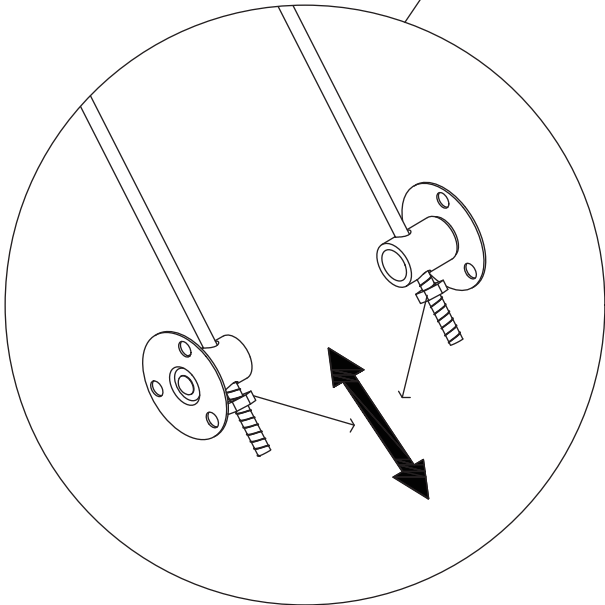
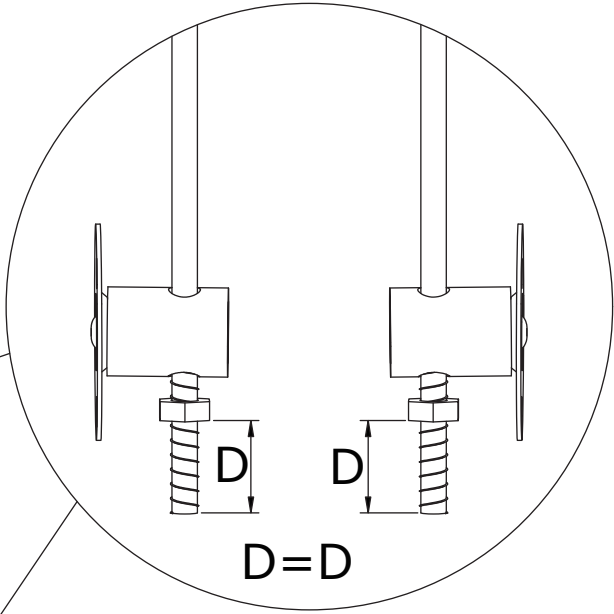
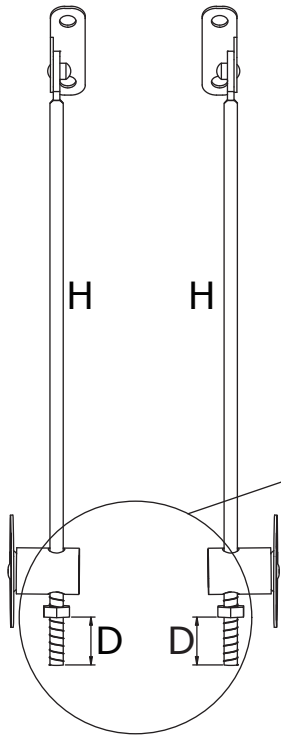
Option A

	<p>K CRD3514A</p>	<p>M CRD0314A</p>
--	-----------------------	-----------------------

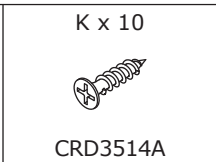
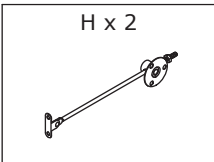


Secure panel 5 to panel 7 using screws (K).

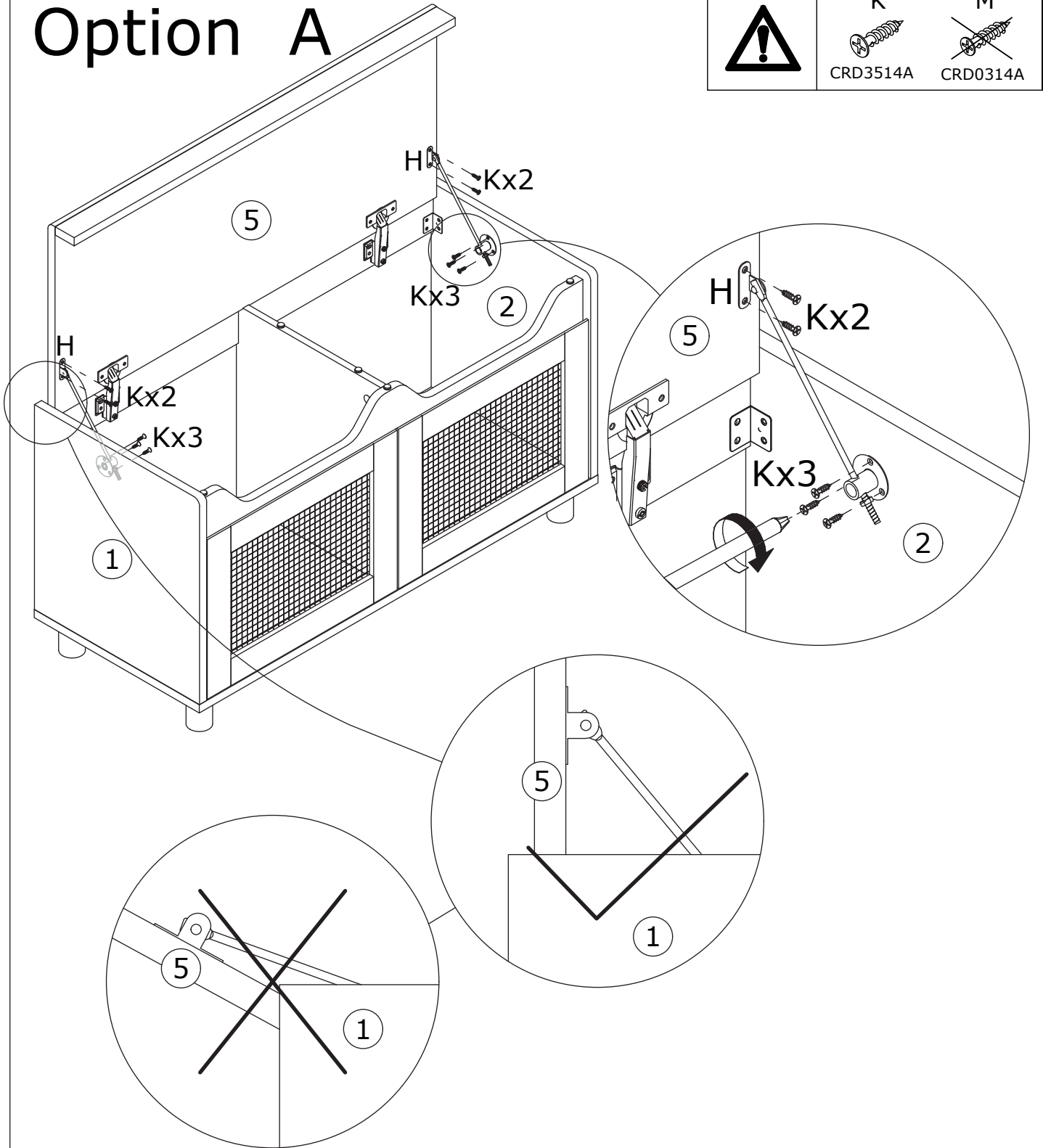
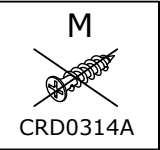
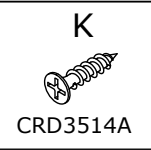
16



17

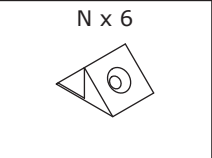


Option A

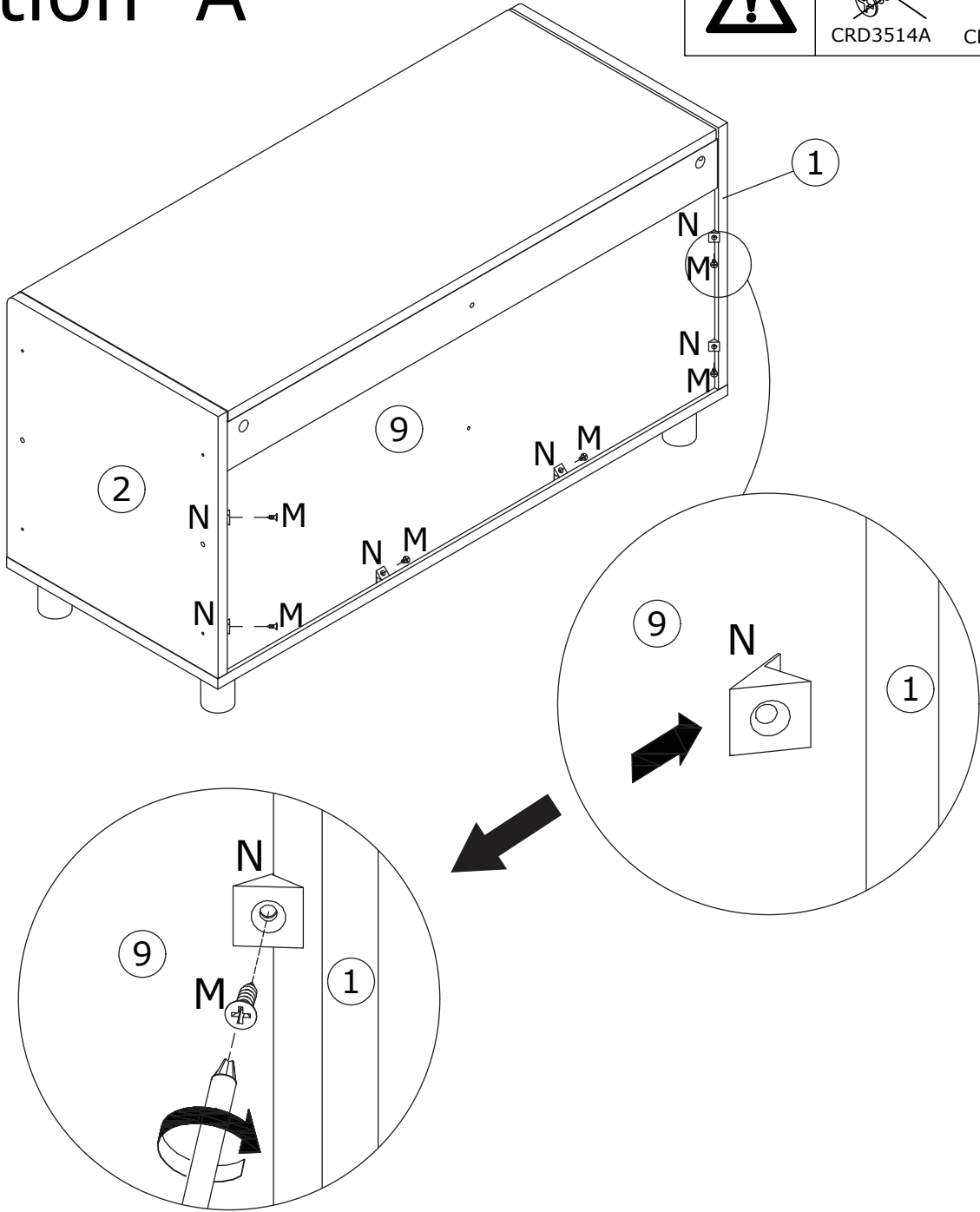
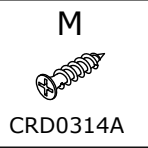
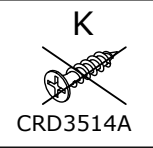


Secure component (H) to panels 1, 2 and 5 using screw (K).

18

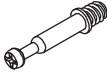



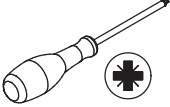


Option A



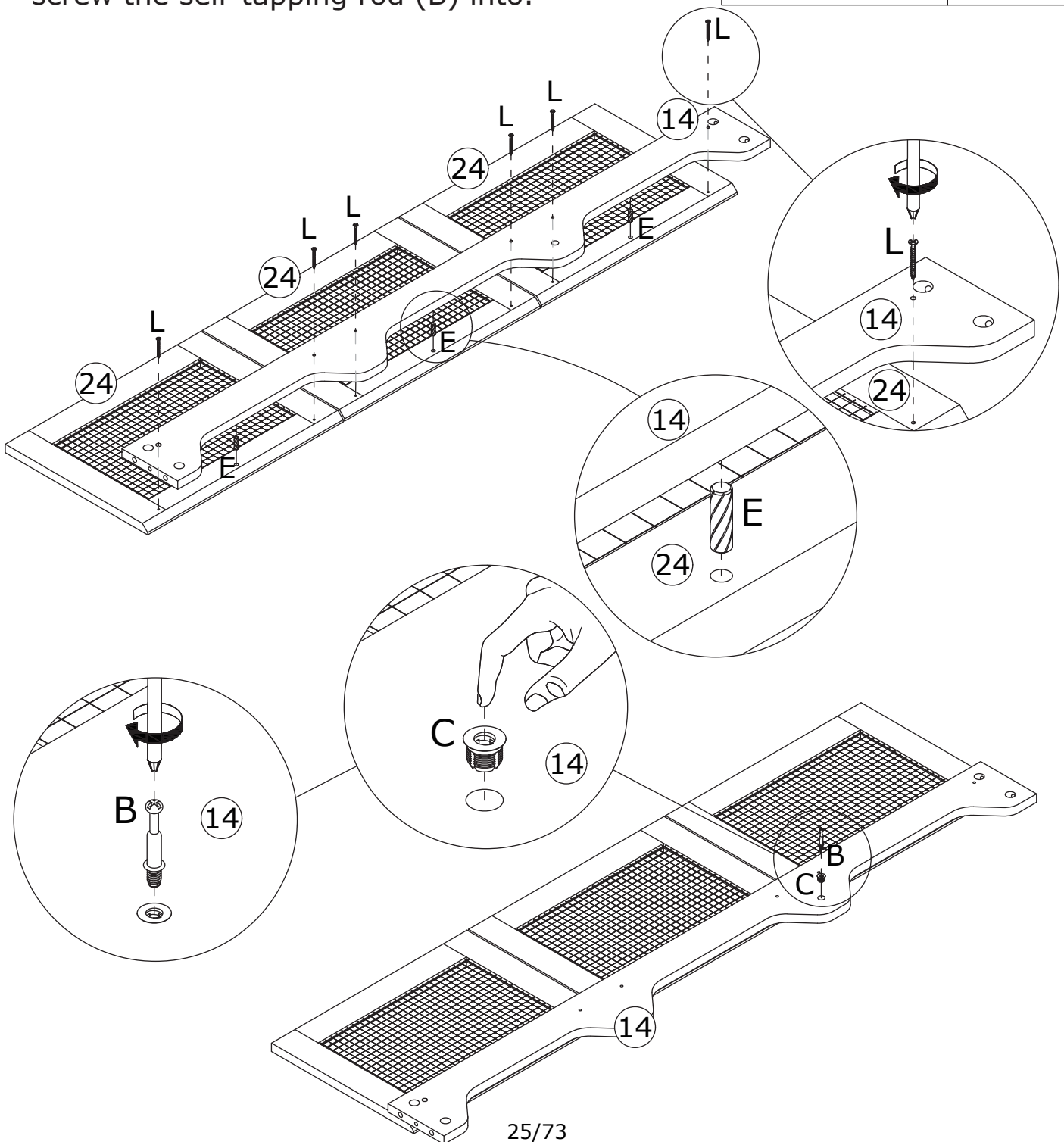
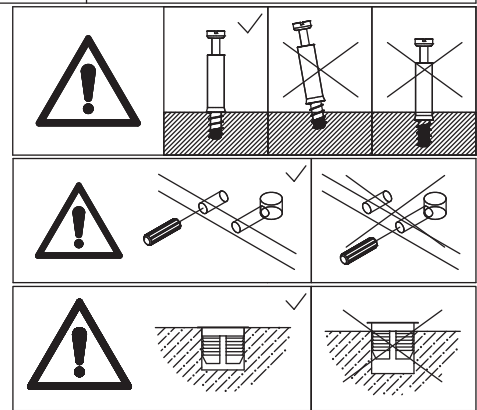
Insert buckle (N) into back slots and secure using screws (M).

19

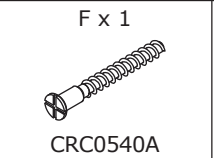
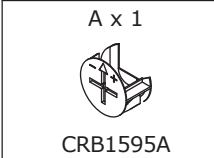
B x 1  CRA0635B	C x 1  CRF0620A	E x 3  CRF0620A	L x 6  CRD3525A	
--	--	--	---	---

Option A

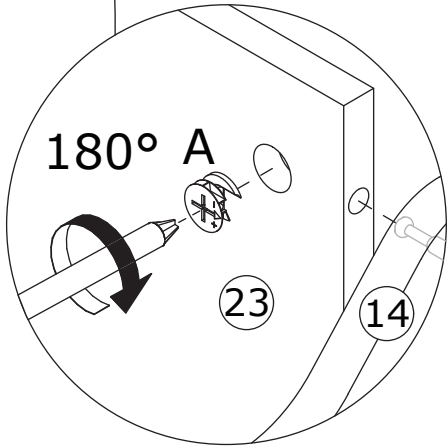
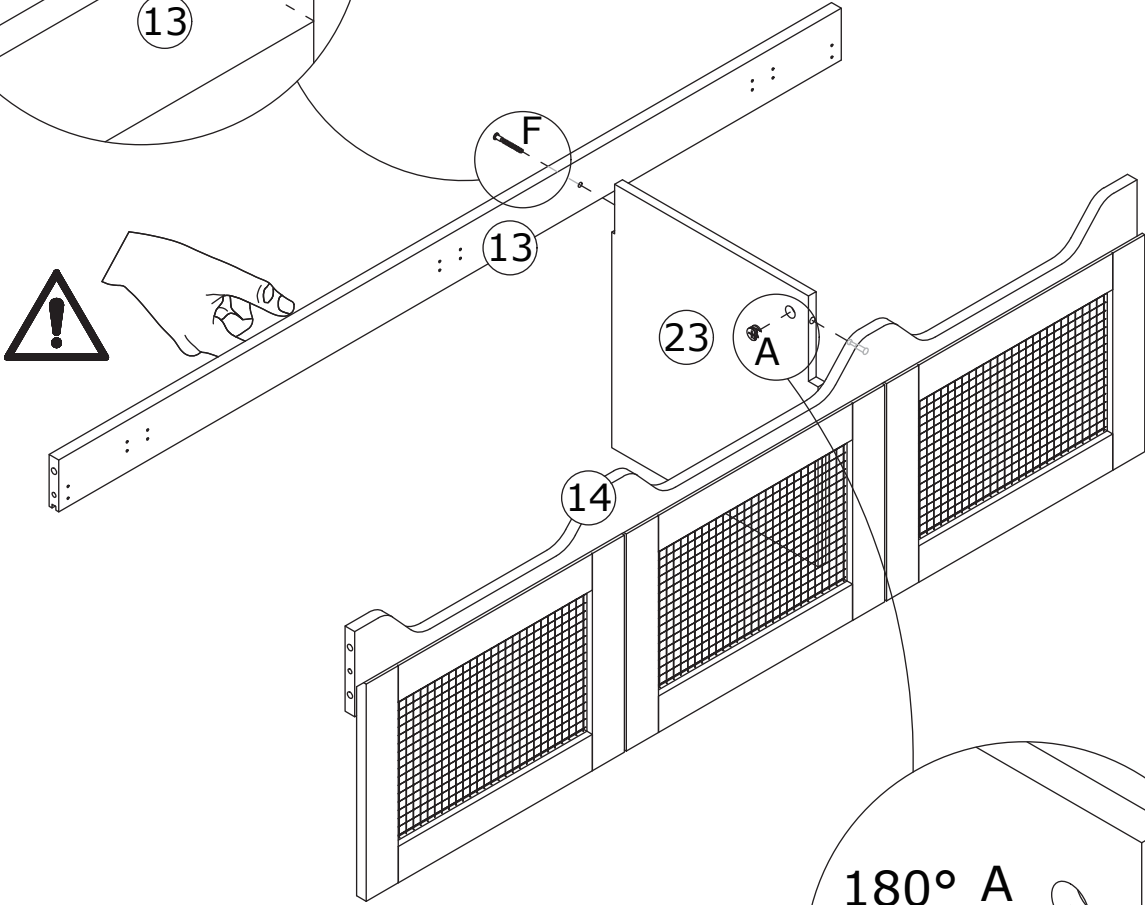
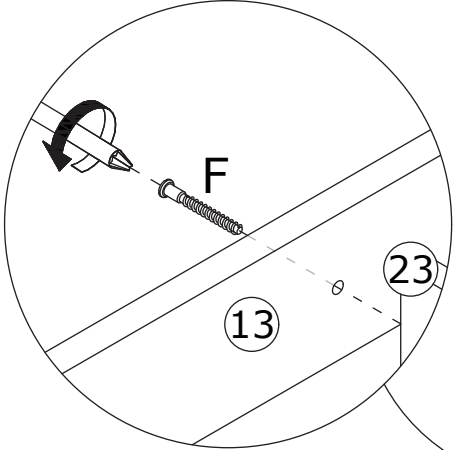
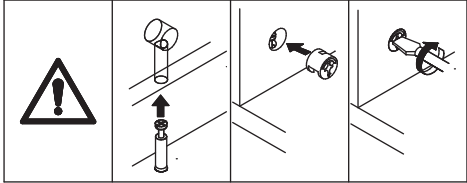
Connect panel 14 to panel 24 using wooden dowel (E), and secure with screws (L). Attach component (C) into panel 14, and screw the self-tapping rod (B) into.



20



Option A

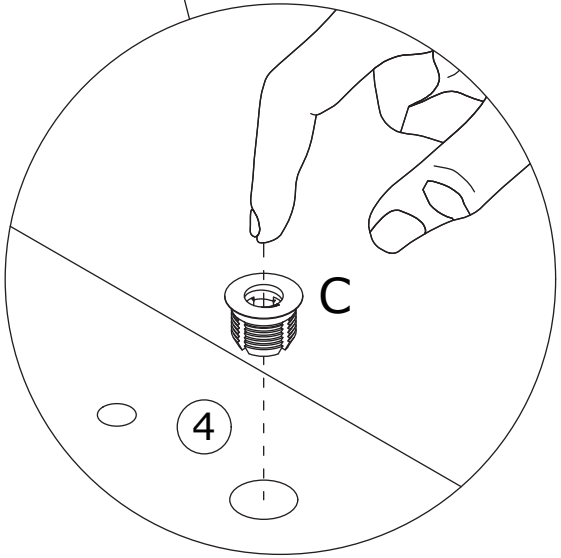
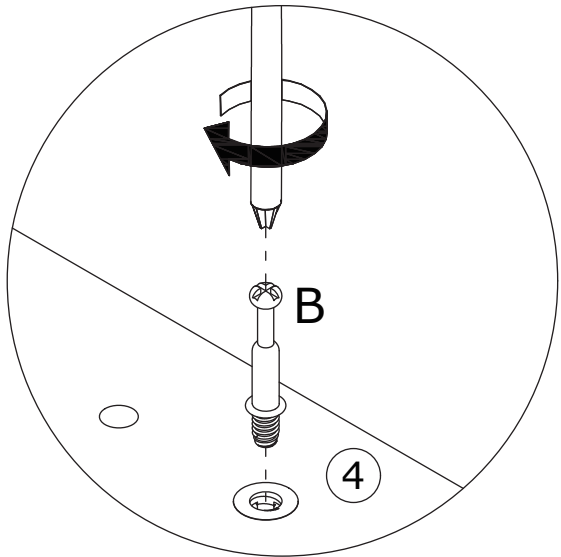
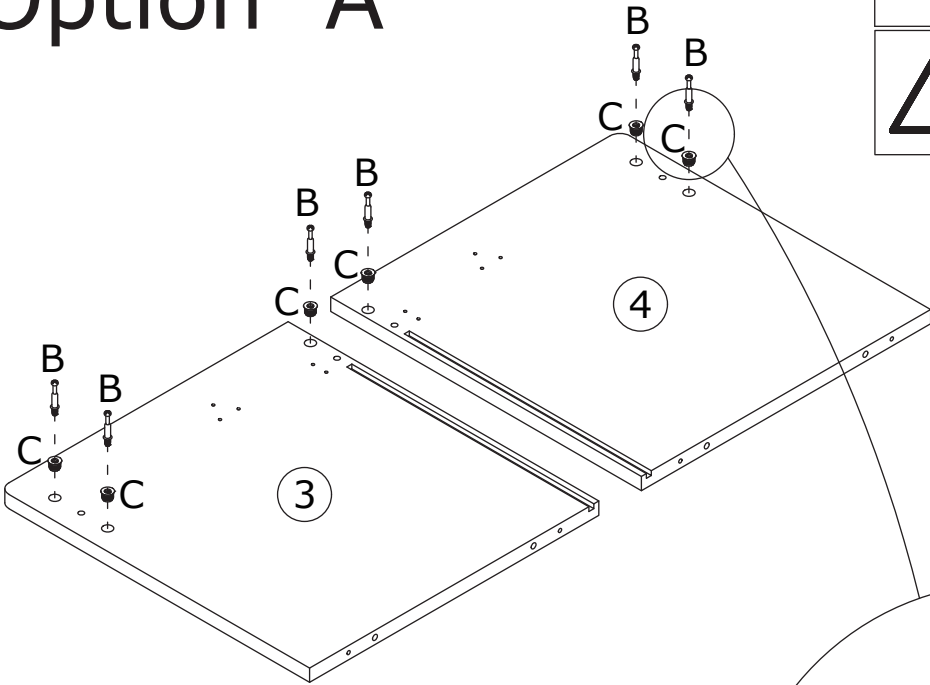
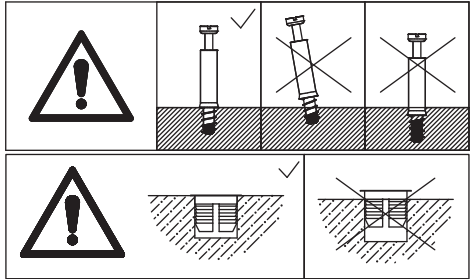


Connect panels 13 and 14 to panel 23 using screw (F), then attach the eccentric wheel (A) and tighten it by turning clockwise.

21

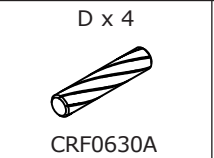
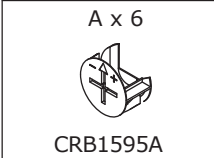


Option A



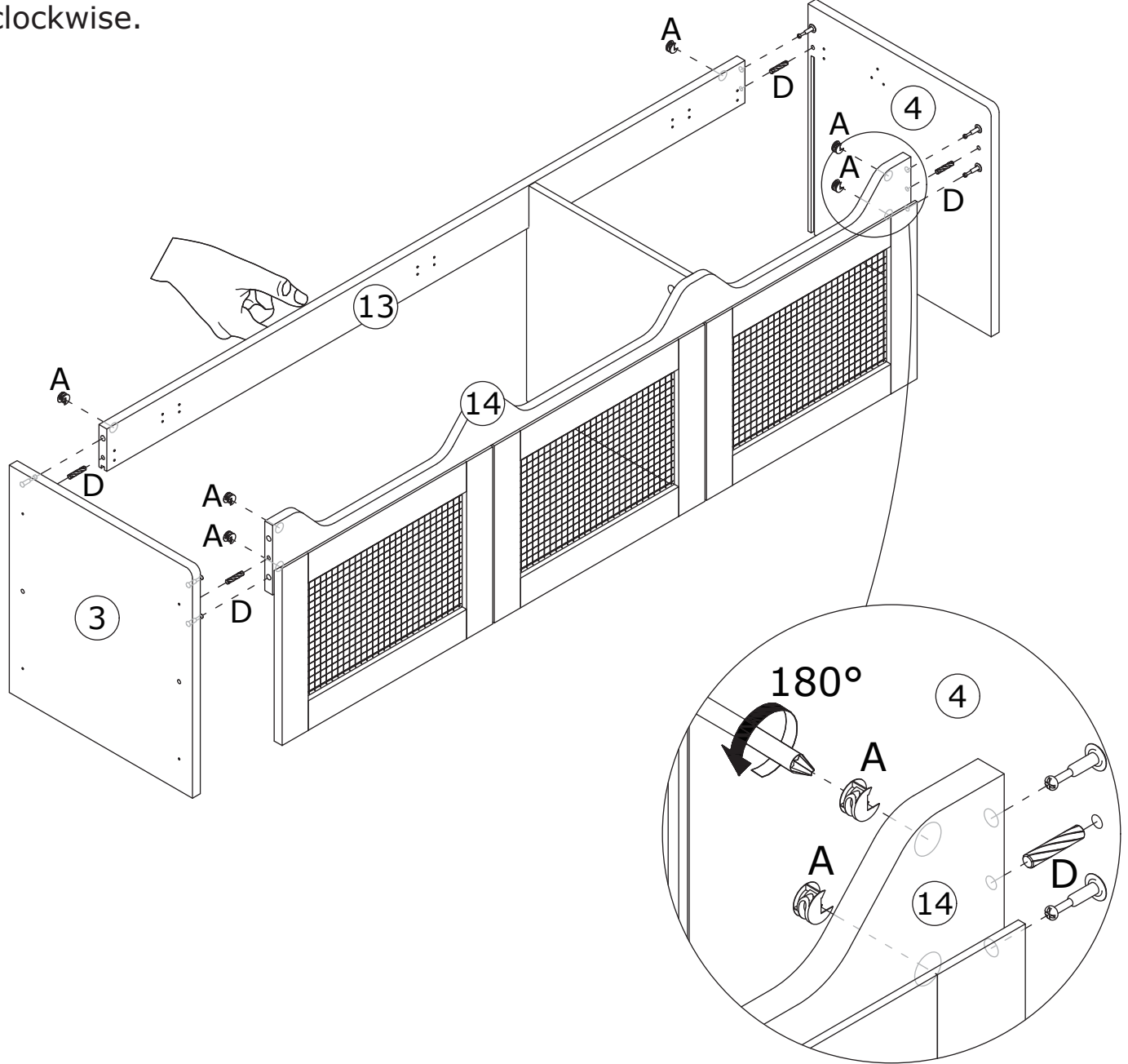
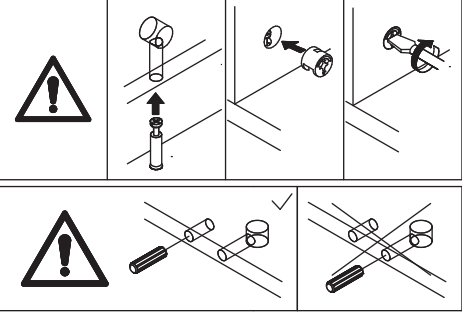
Attach component (C) into panels 3 and 4, then screw the self-tapping rod (B) into.

22



Option A

Connect panels 3 and 4 to panels 13 and 14 using wooden dowel (D), then attach the eccentric wheel (A) and tighten it by turning clockwise.



23

J x 2

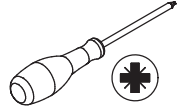


K x 8



CRD3514A

P x 6

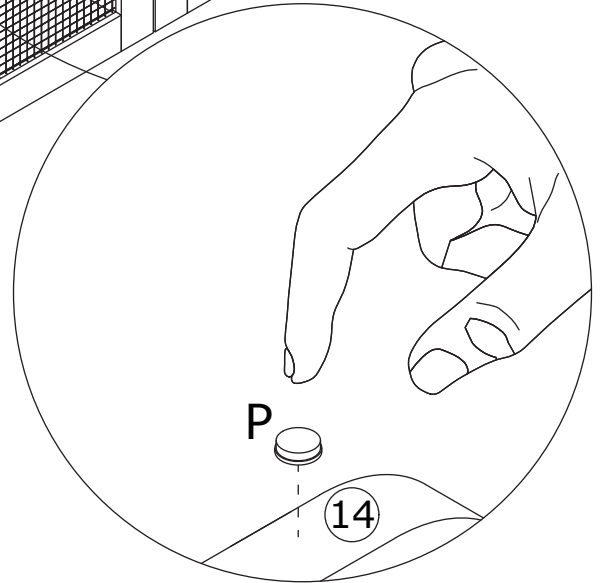
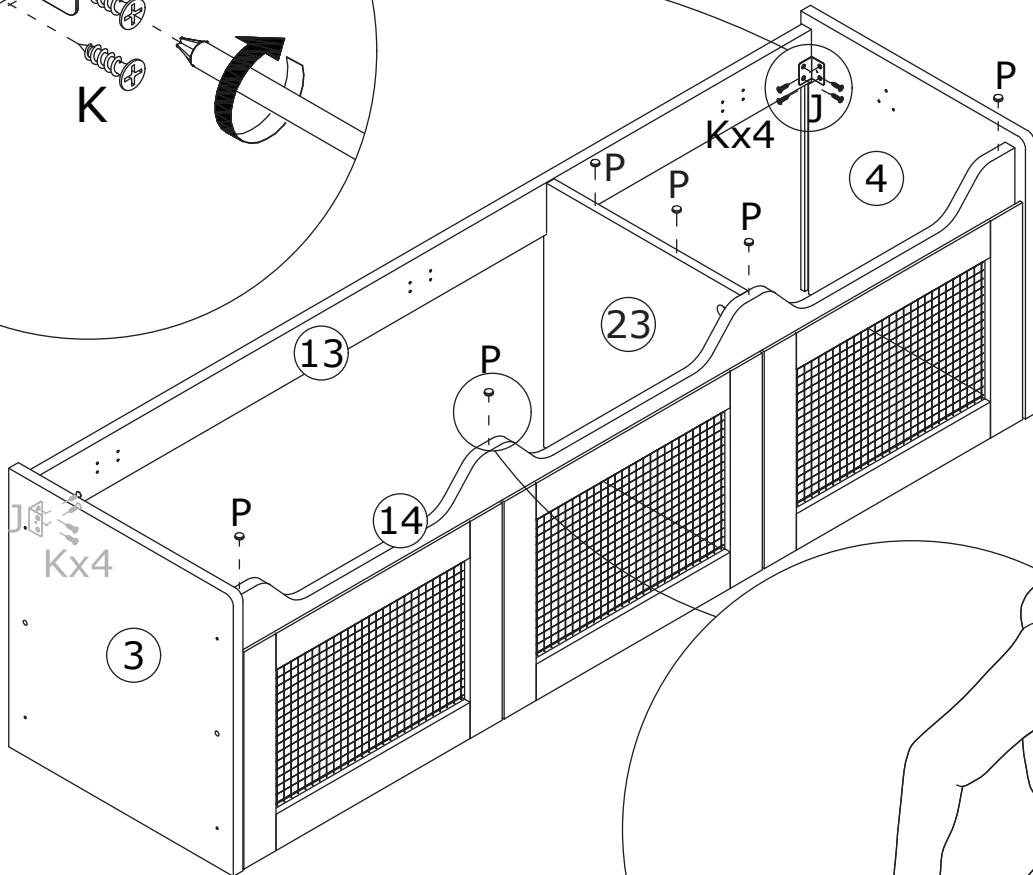
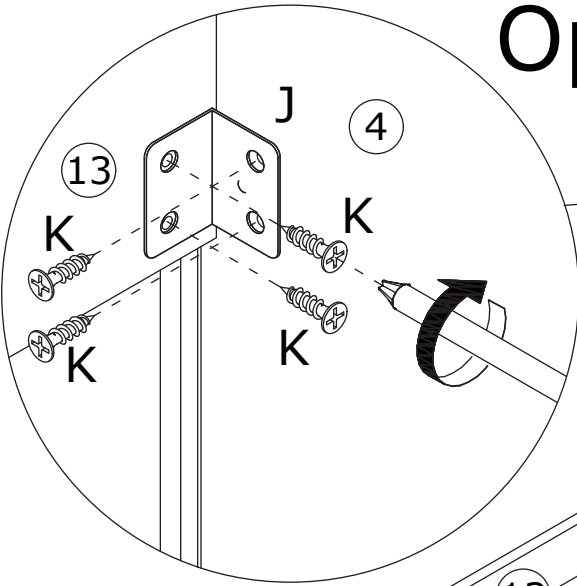


Option A

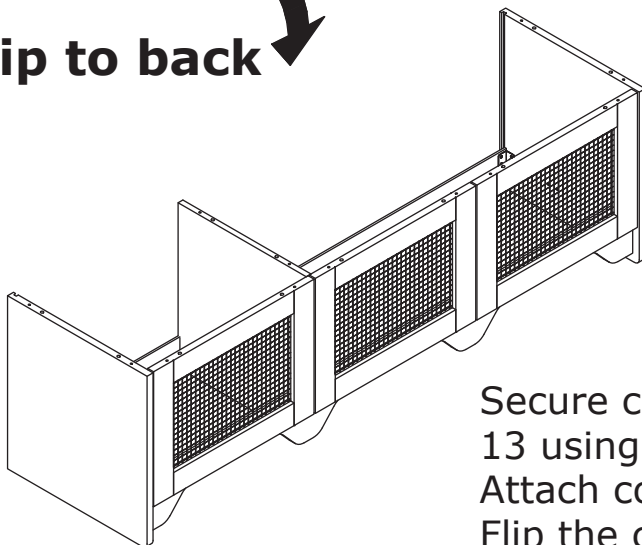


K
CRD3514A

M
~~CRD0314A~~

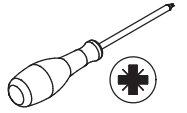
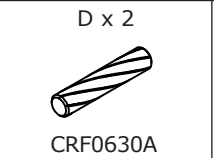


Flip to back

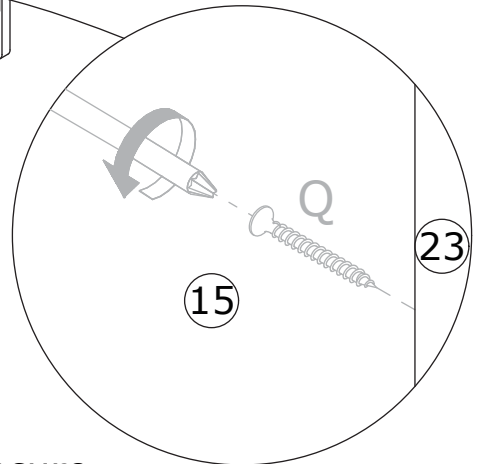
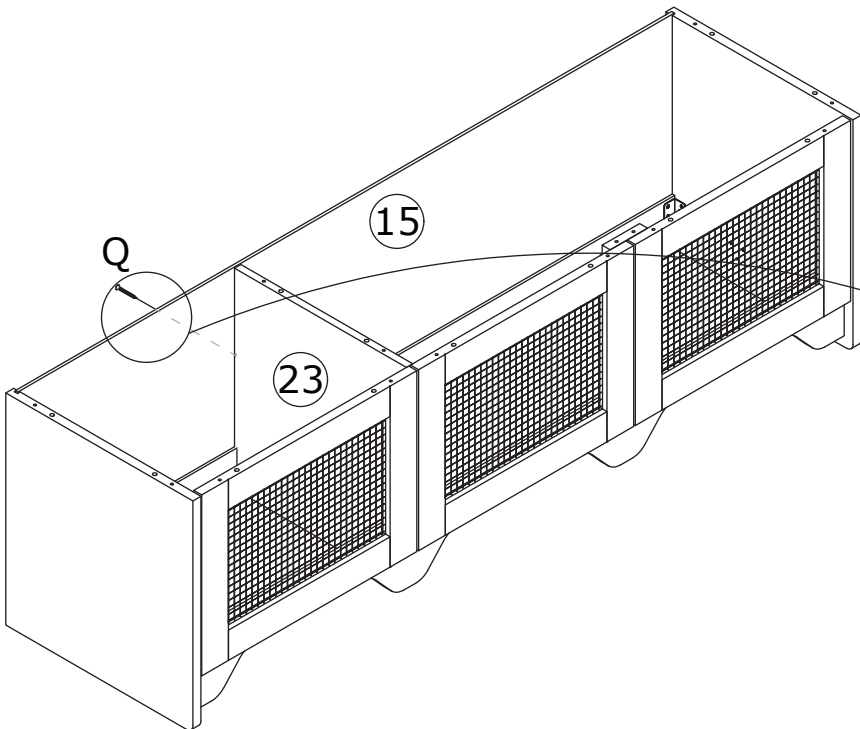
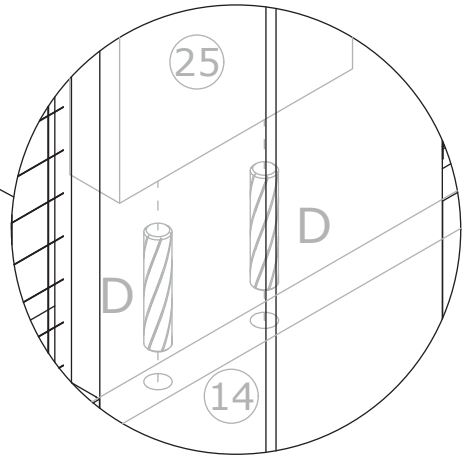
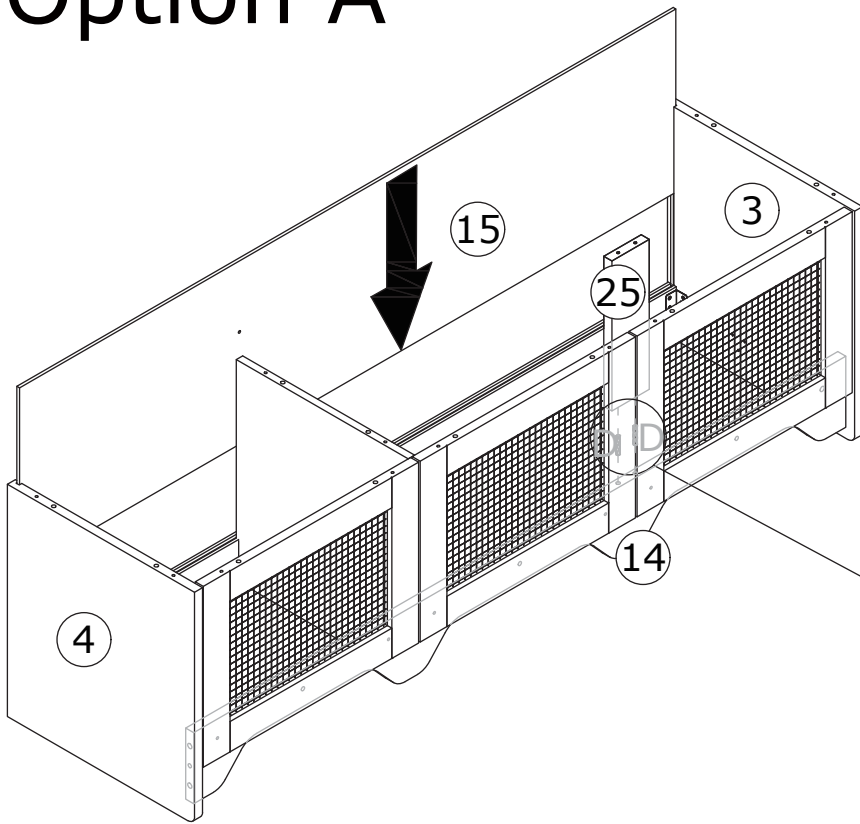
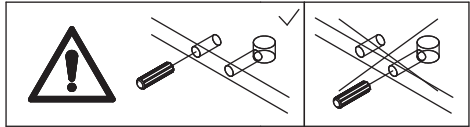


Secure component (J) to panels 3, 4, and 13 using screw (K).
Attach component (P) to panels 14 and 23.
Flip the cabinet over.

24



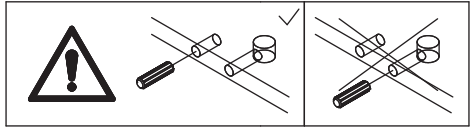
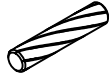
Option A



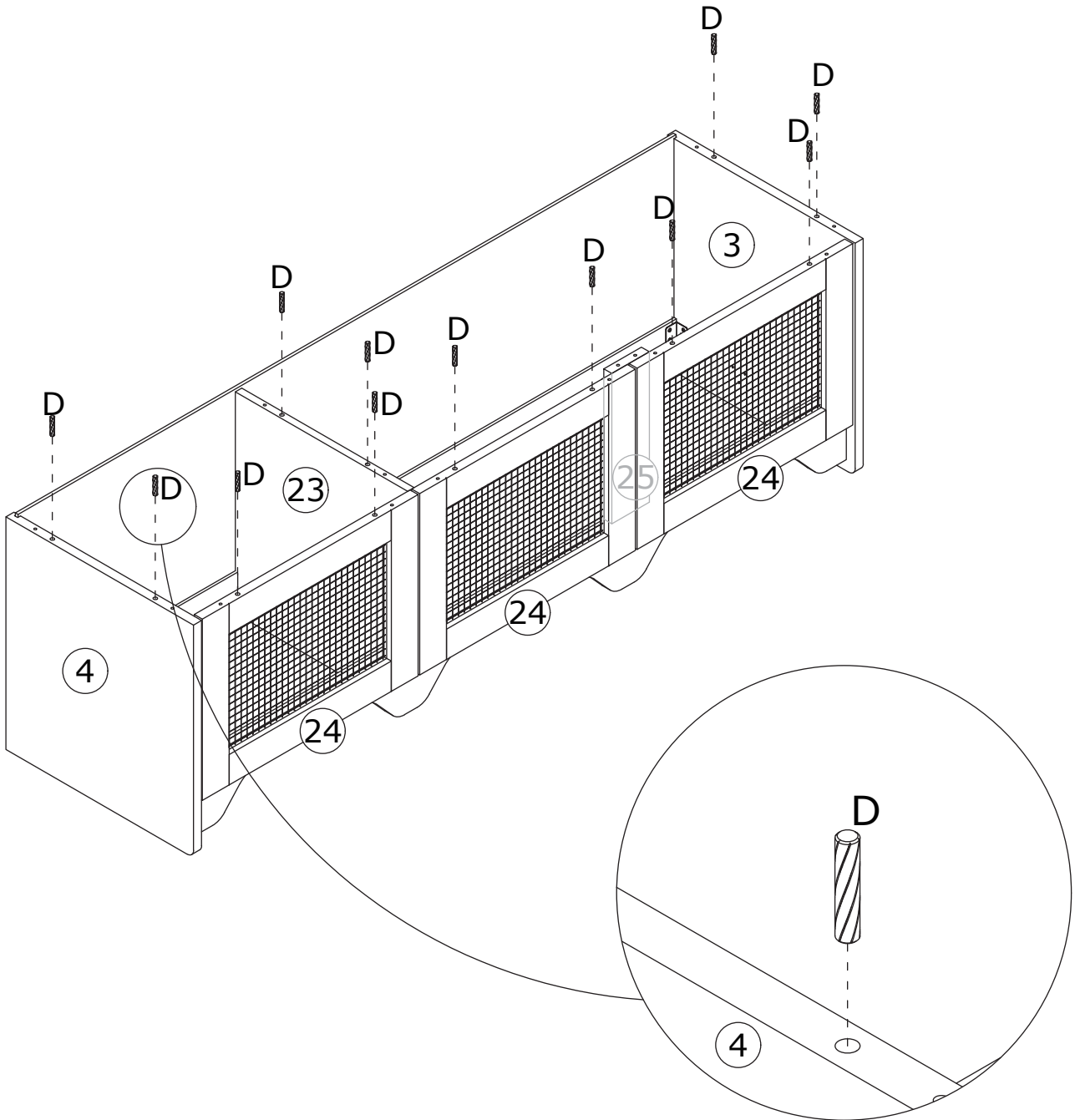
Insert panel 15 into the available slots, then secure to panel 23 using screw (Q).
Connect panel 25 to panel 14 using wooden dowel (D).

25

D x 12
CRF0630A

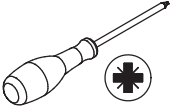


Option A

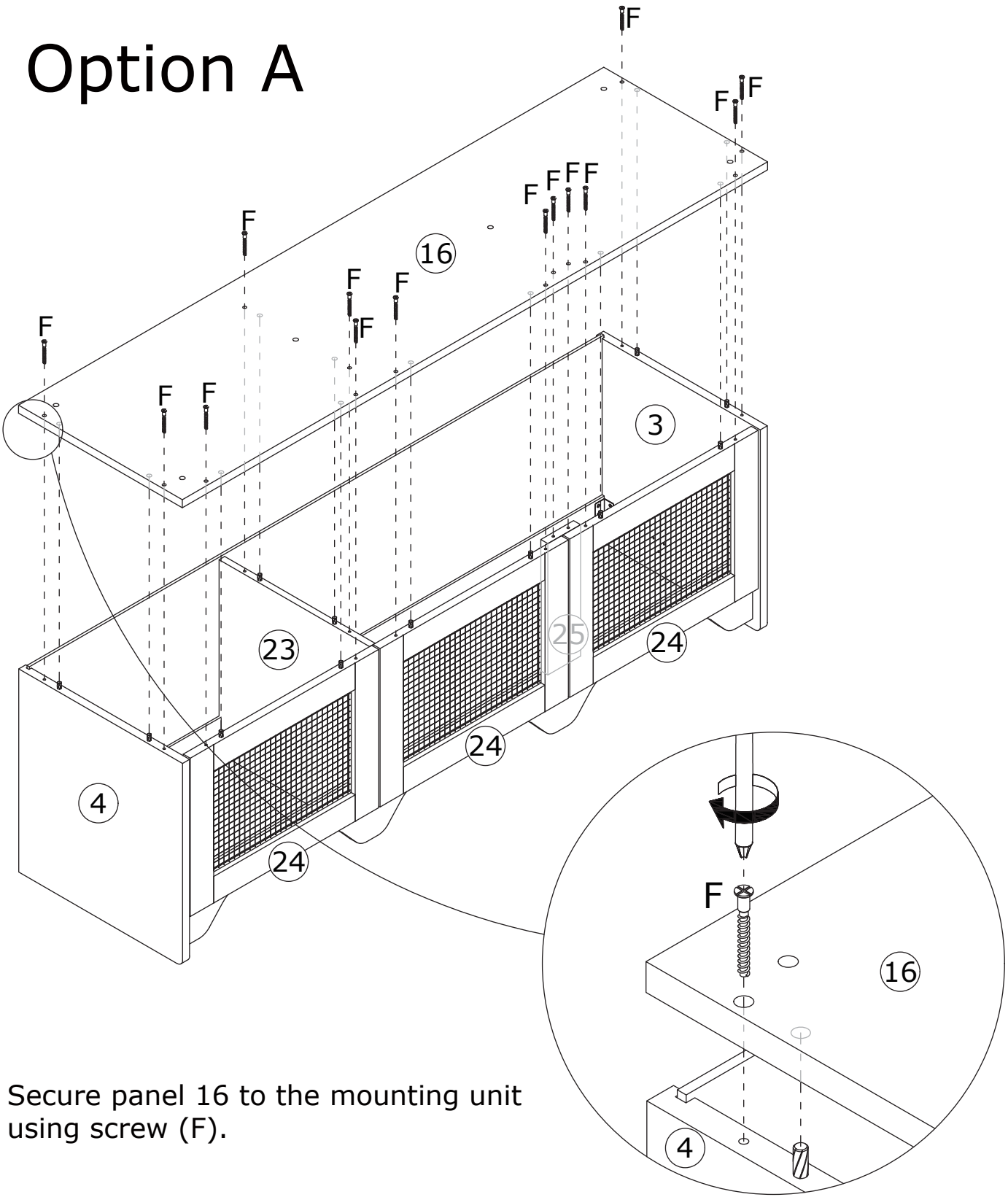


Insert wooden dowel (D) into panels 3, 4, 23 and 24.

26



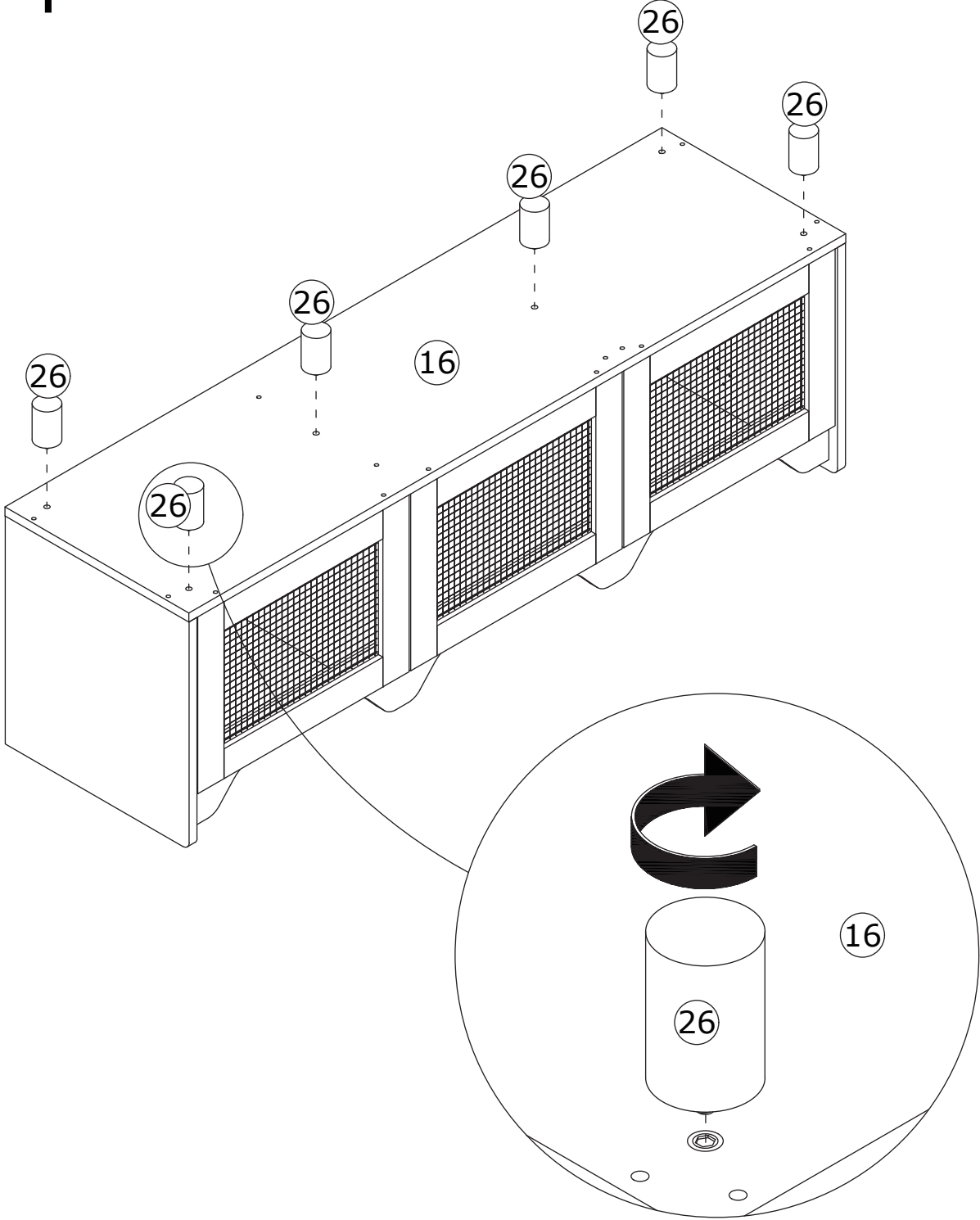
Option A



Secure panel 16 to the mounting unit using screw (F).

27

Option A



Attach leg 26 into panel 16.

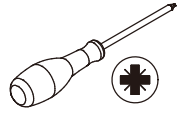
28

B x 4
CRA0635B

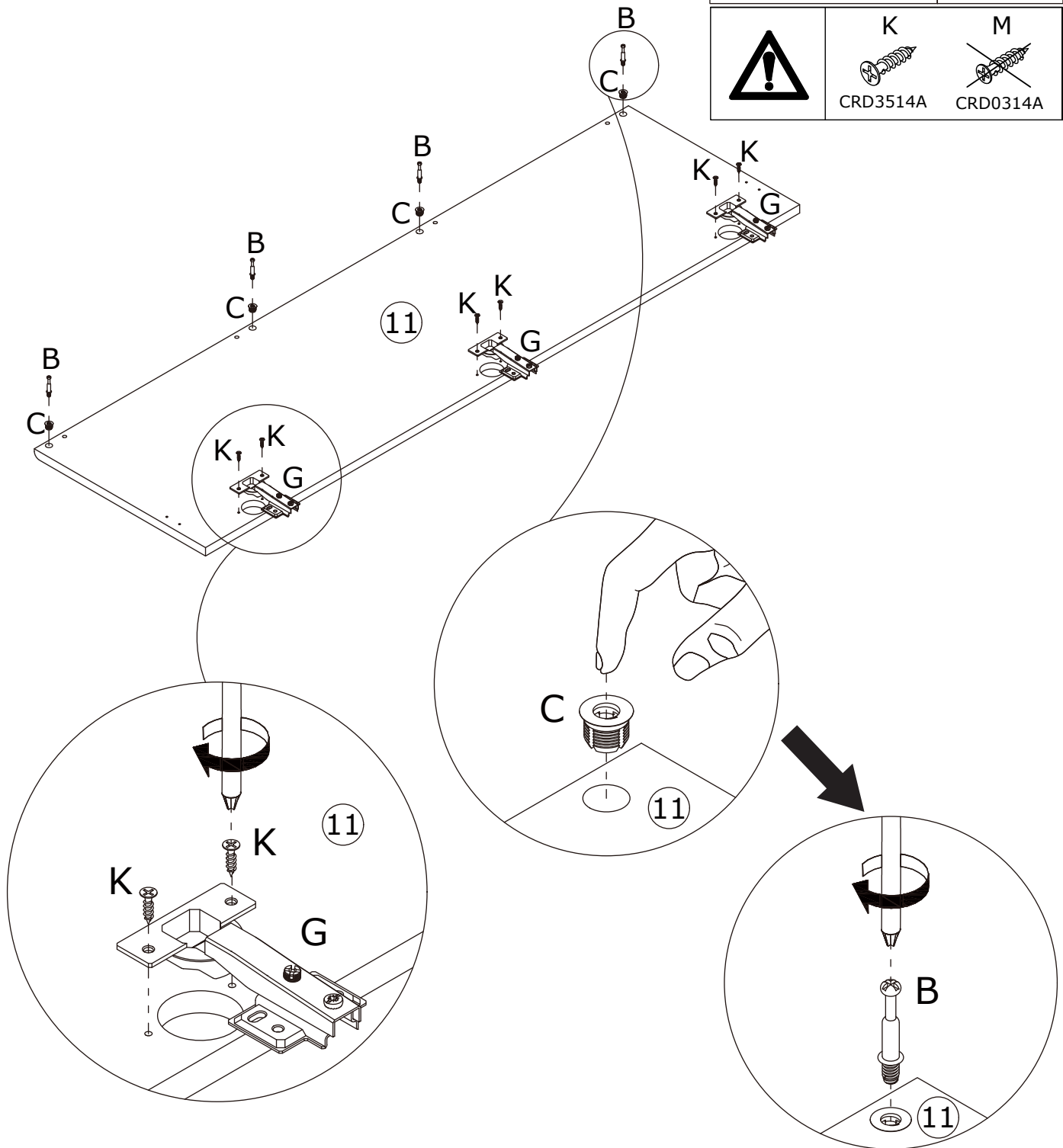
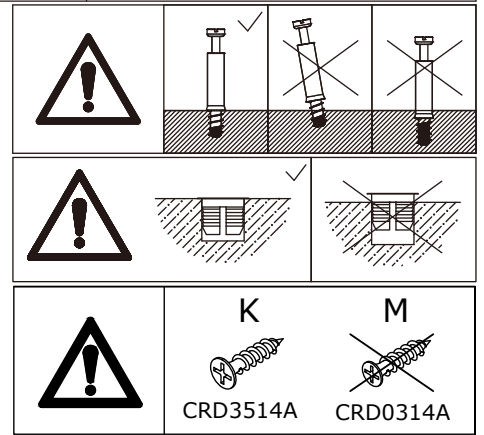
C x 4

G x 3
DGA861A

K x 6
CRD3514A

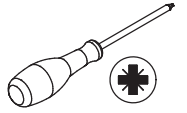
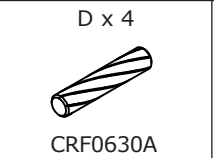
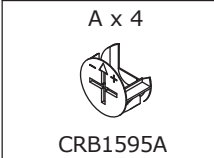


Option A

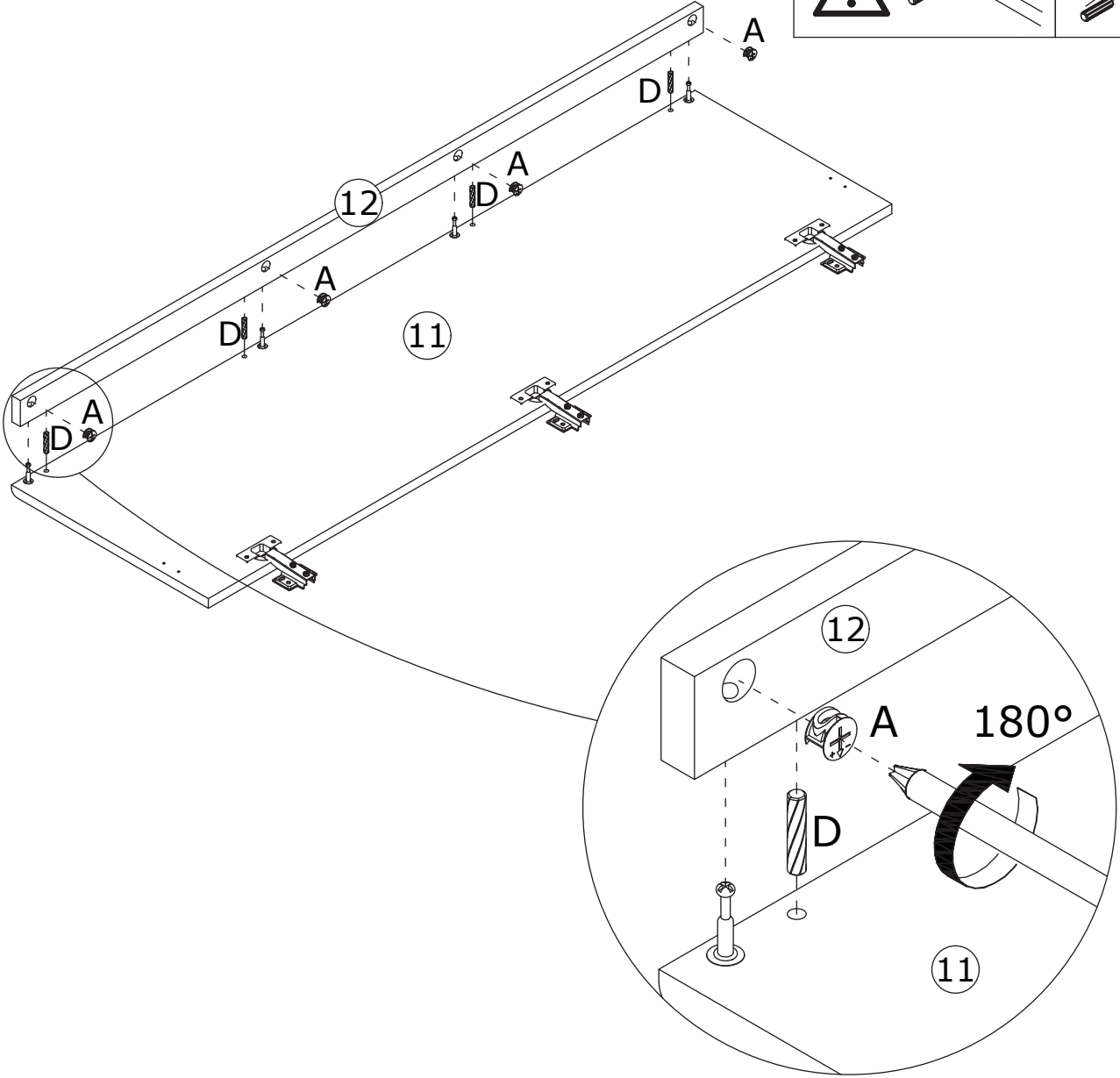
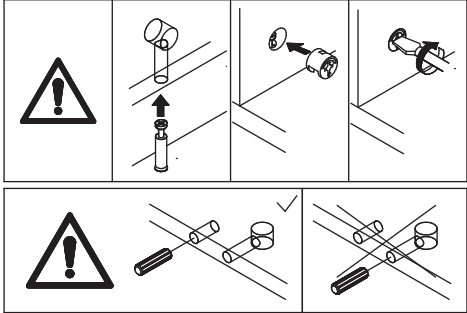


Attach component (C) into panel 11, screw self-tapping rod (B) into, and secure hinge (G) to panel 11 using screw (K).

29



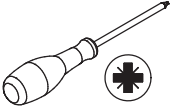
Option A



Connect panel 12 to panel 11 using wooden dowel (D), then attach the eccentric wheel (A) and tighten it by turning clockwise.

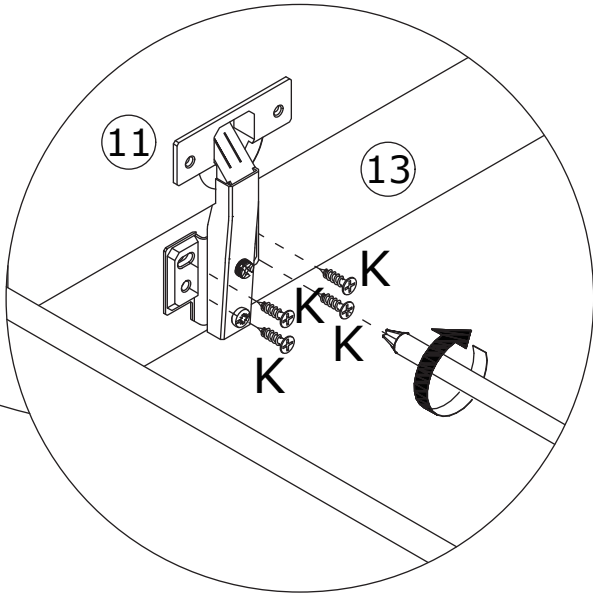
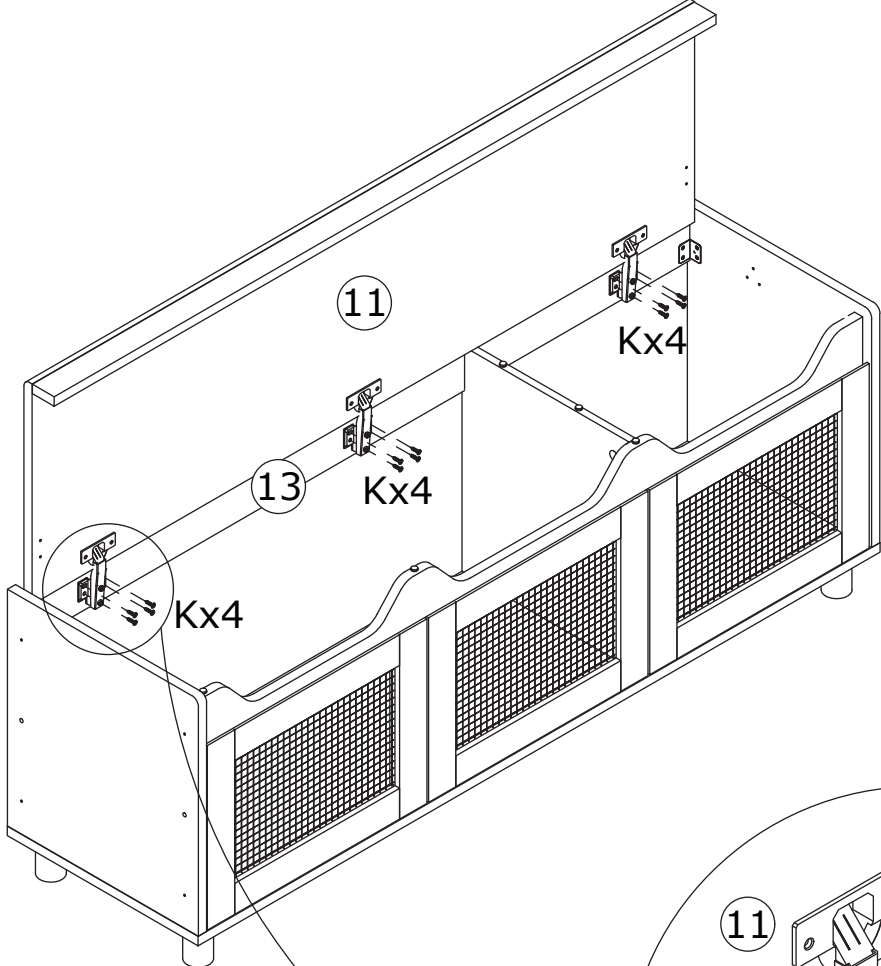
30

K x 12
CRD3514A



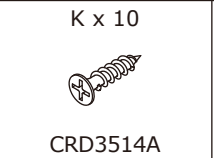
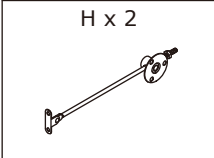
Option A

	 K CRD3514A	 M CRD0314A
--	-------------------	------------------------------

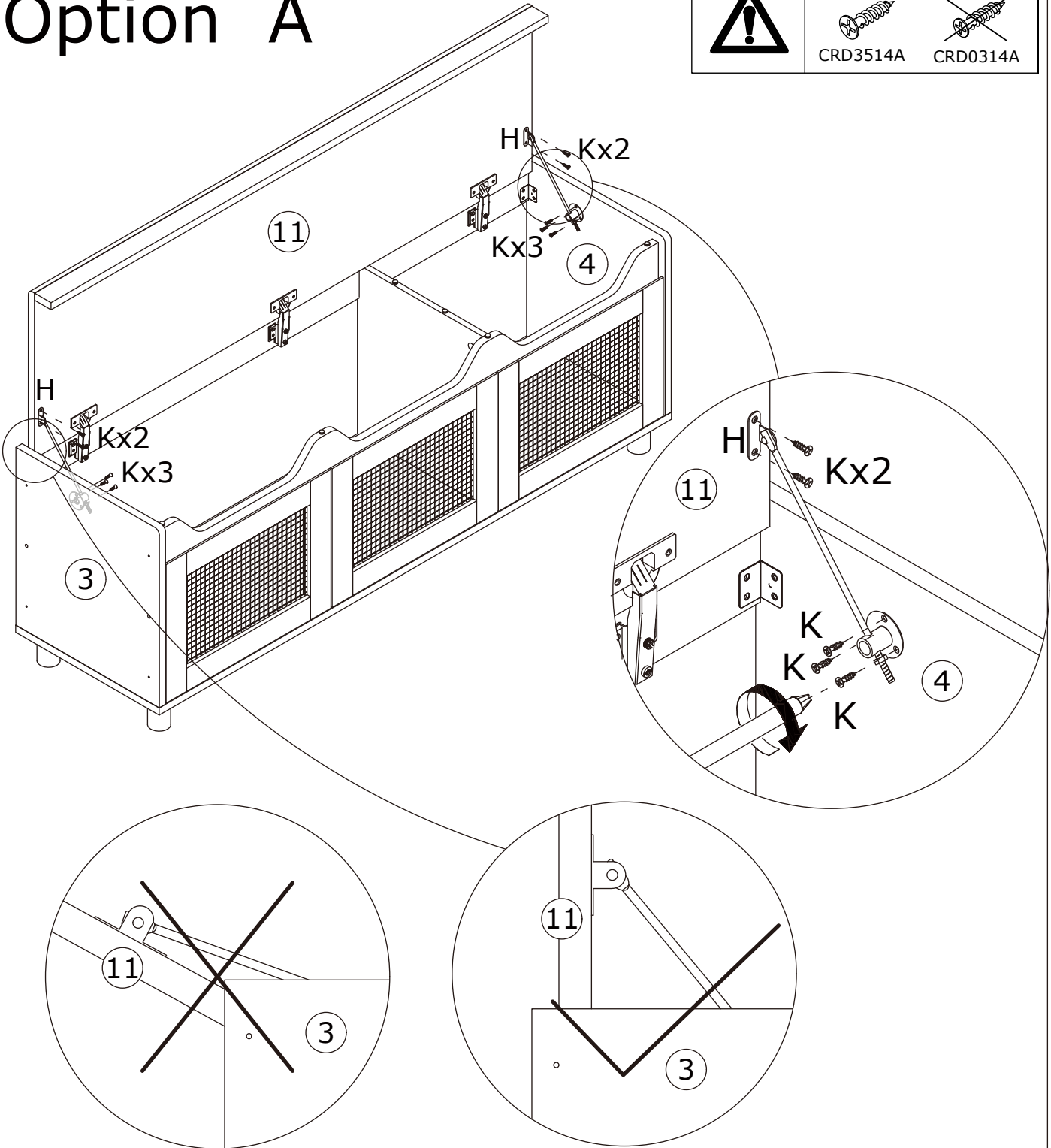
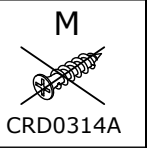
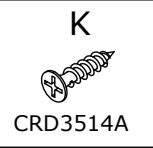


Connect panel 11 to panel 13 using screw (K).

31

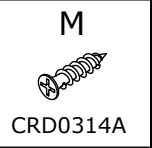
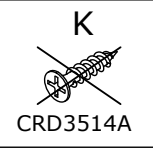
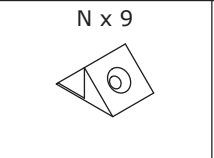
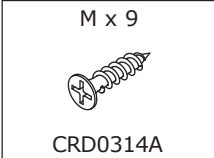


Option A



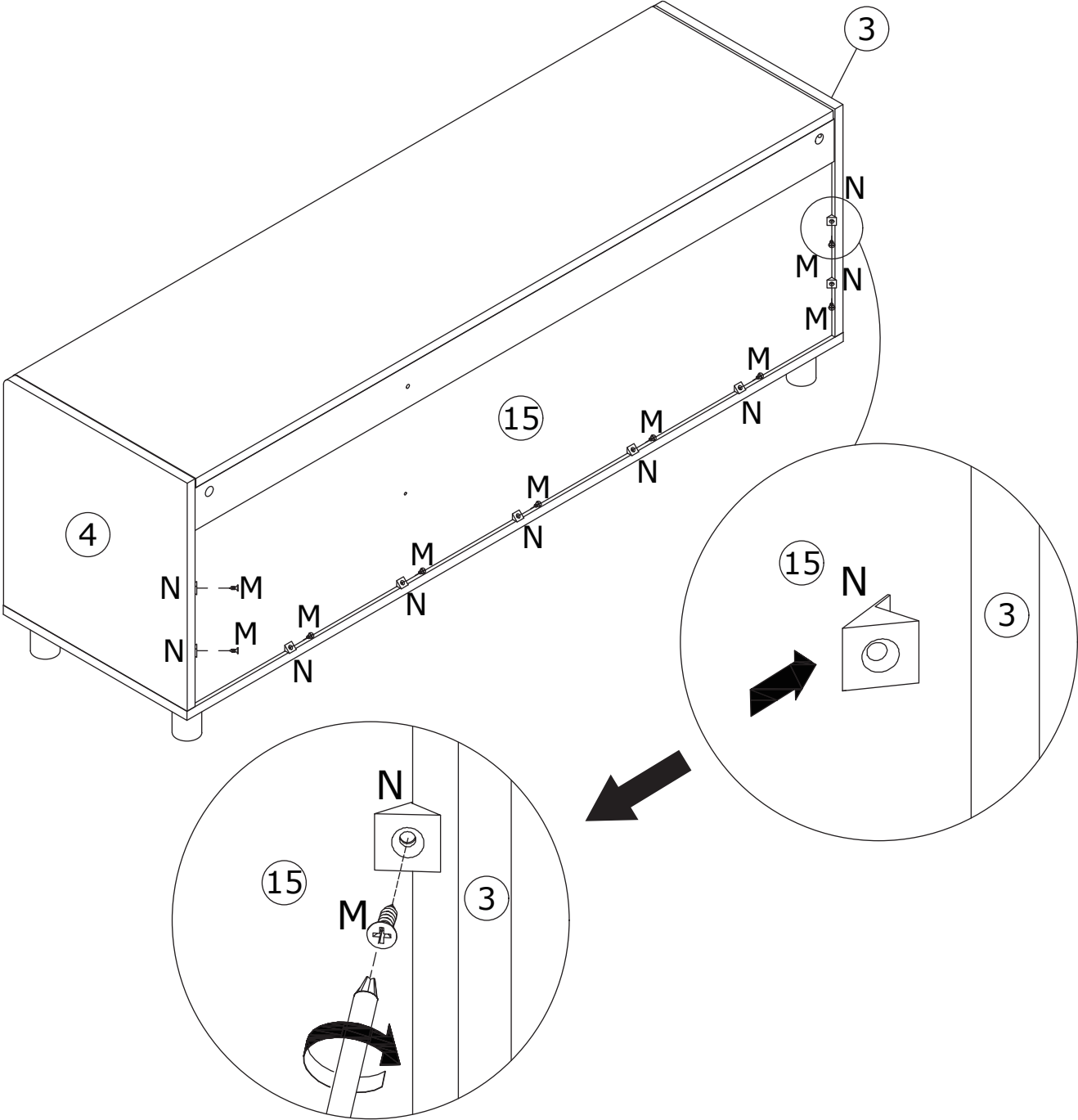
Secure component (H) to panels 3, 4, and 11 using screw (K).

32

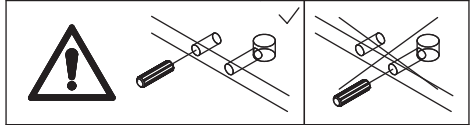
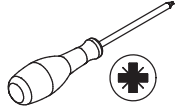


Option A

Insert buckle (N) into back slots and secure using screw (M).

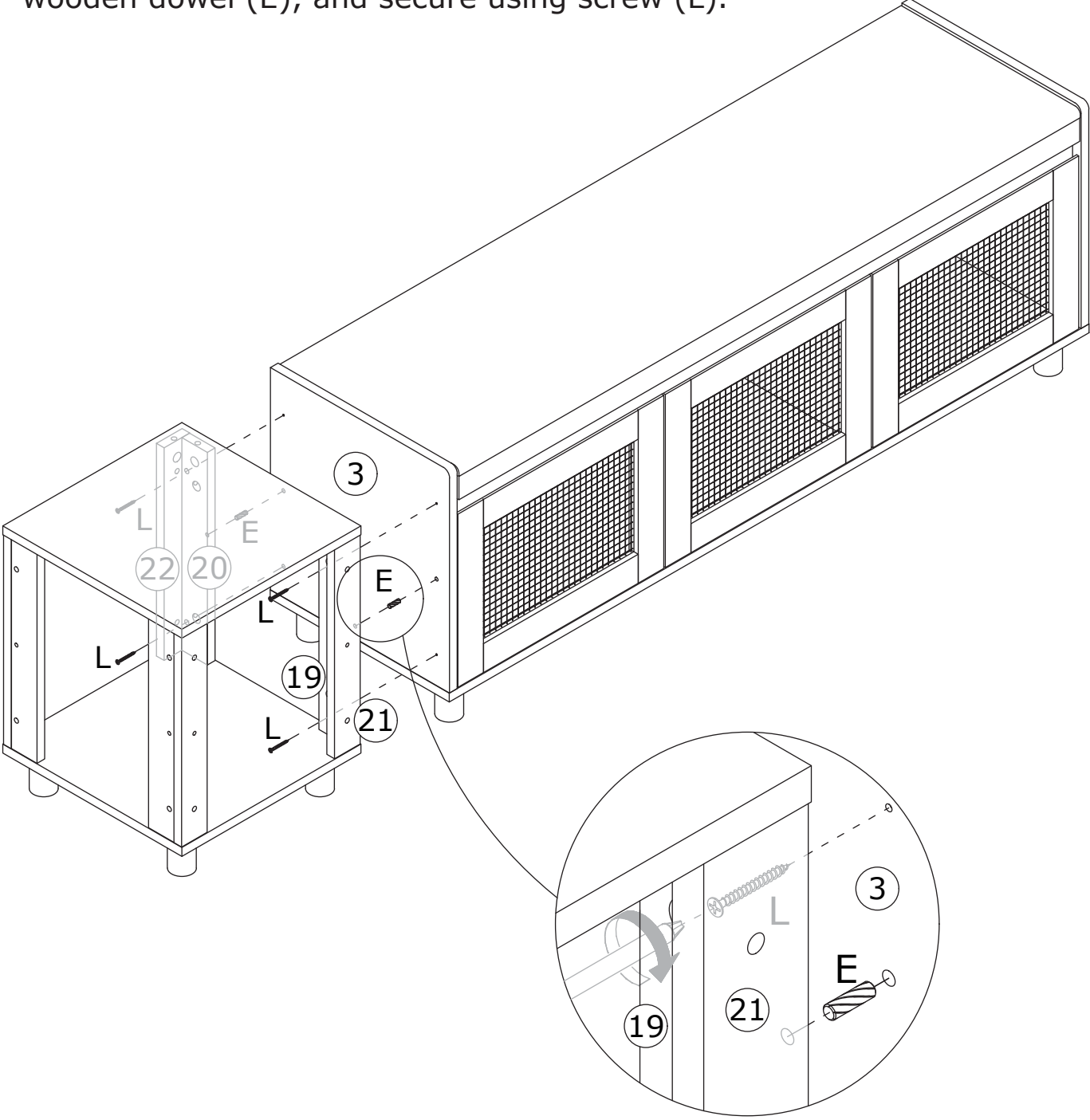


33

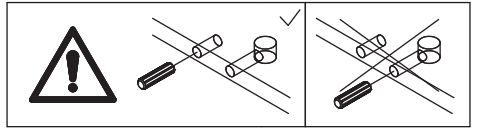
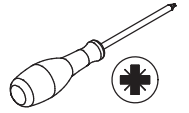
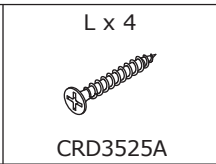
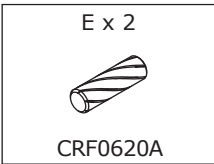


Option A

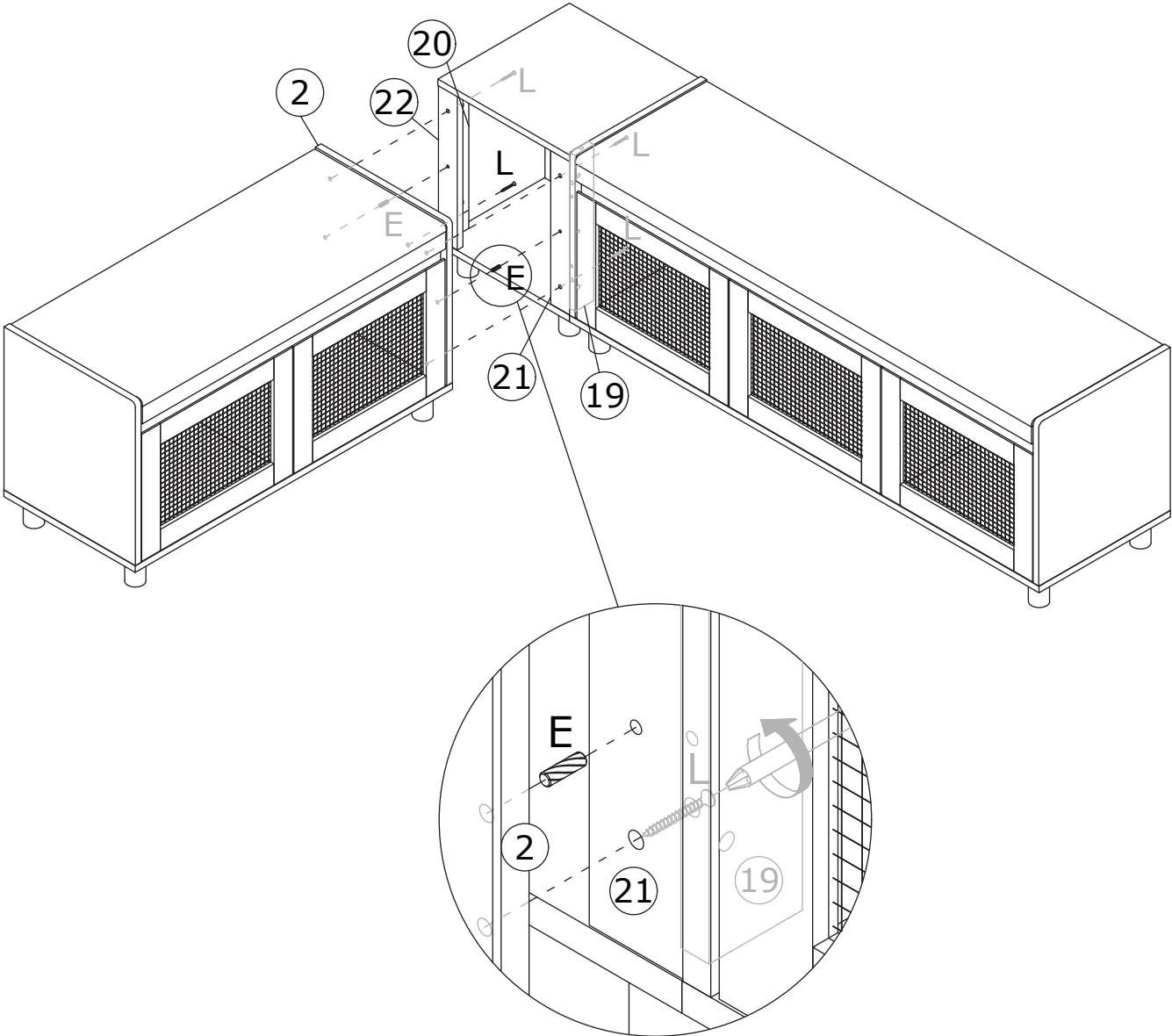
Connect panel 3 to panels 19 and 20 using wooden dowel (E), and secure using screw (L).



34



Option A

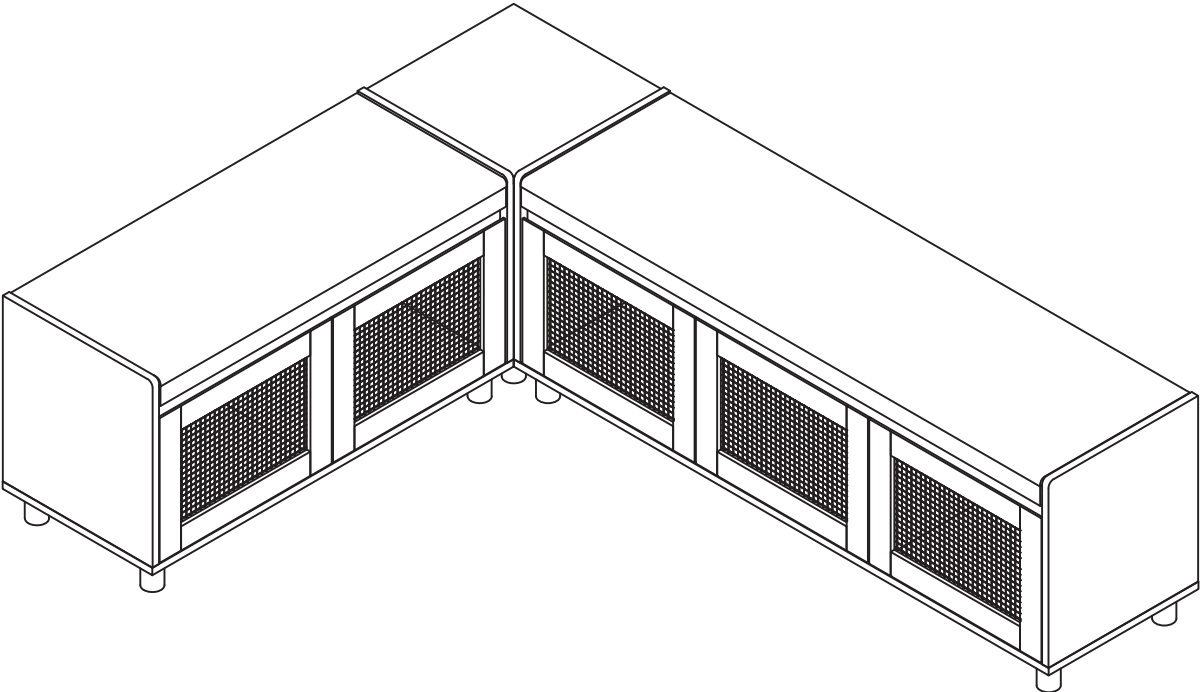


Connect panel 2 to panels 21, and 22 using wooden dowel (E), and secure using screw (L).

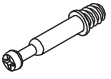



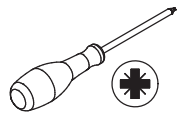
35



Option A

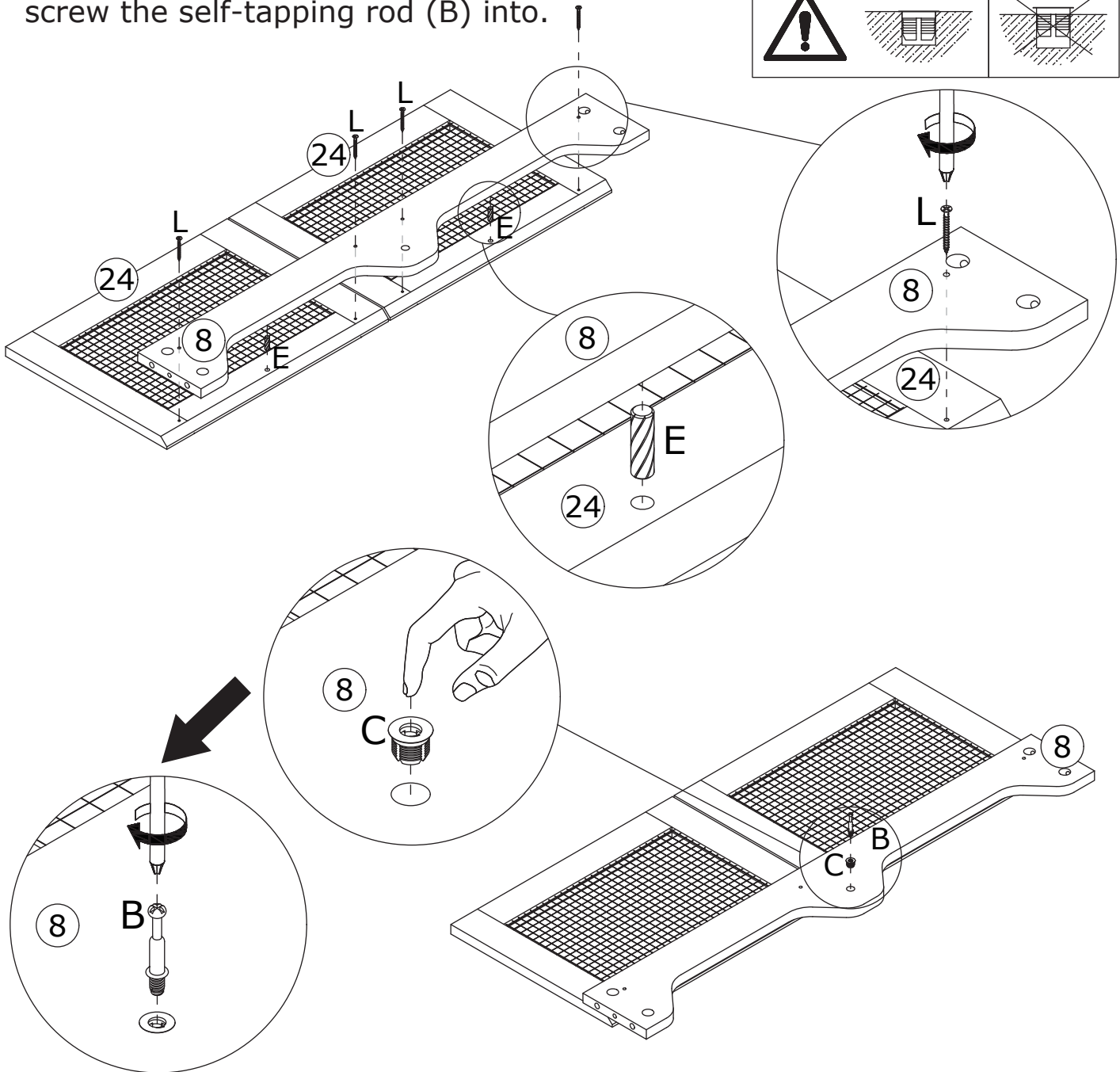
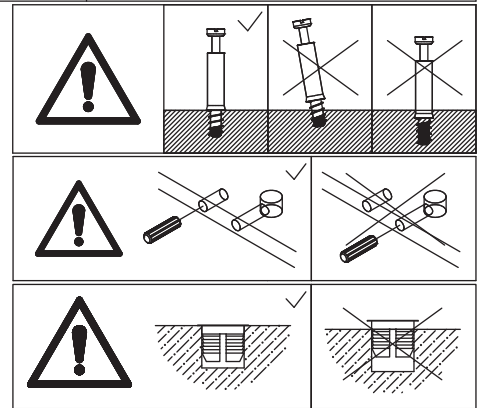


36

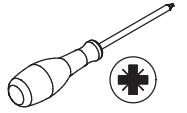
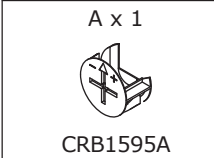
B x 1  CRA0635B	C x 1  CRF0620A	E x 2  CRF0620A	L x 4  CRD3525A	
--	--	--	---	---

Option B

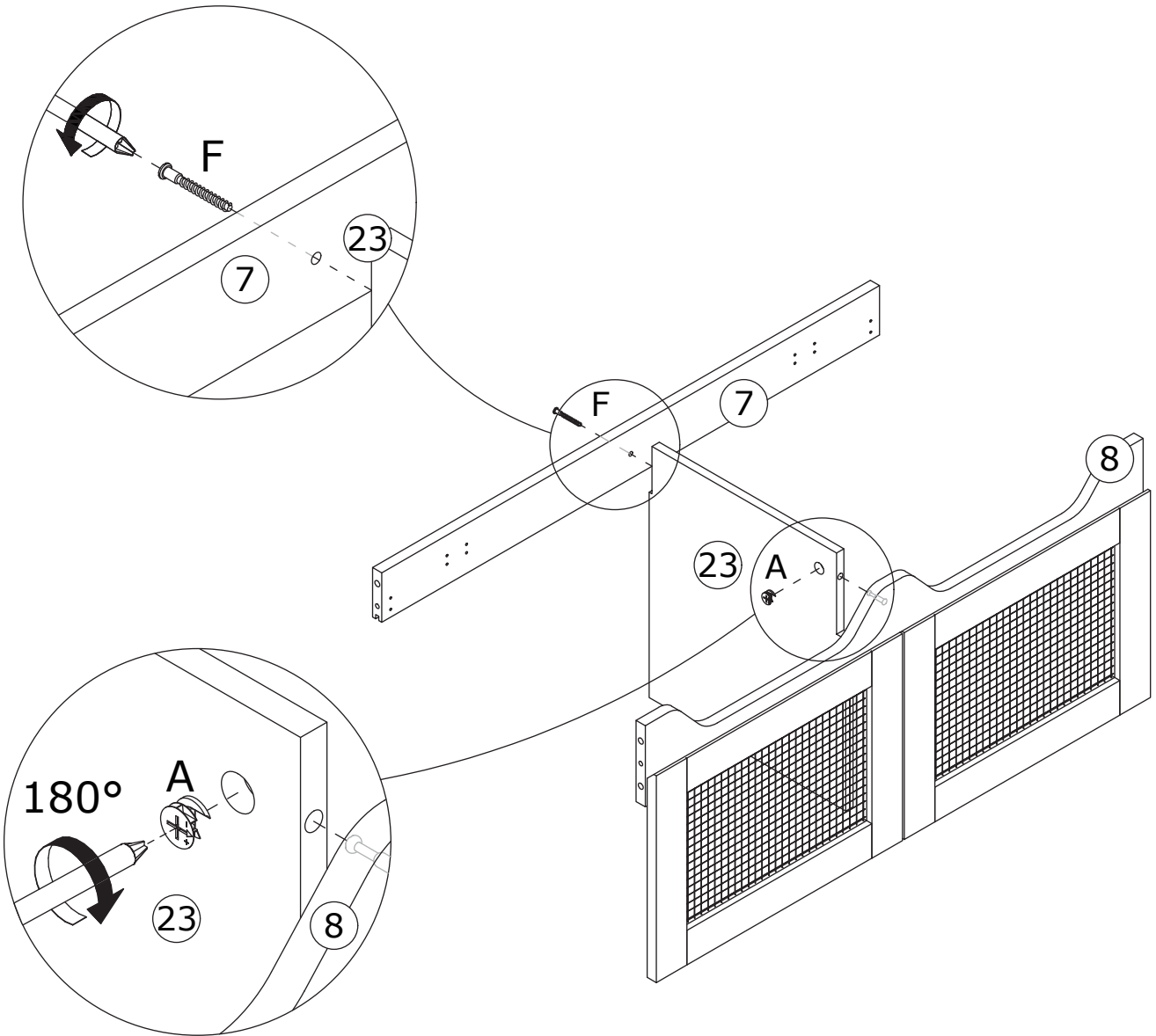
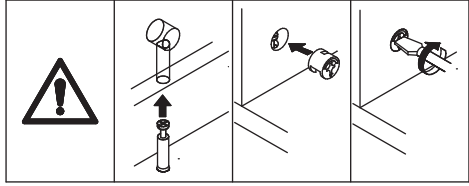
Connect panel 8 to panel 24 using wooden dowel (E), and secure using screw (L). Attach component (C) into panel 8, and screw the self-tapping rod (B) into.



37



Option B

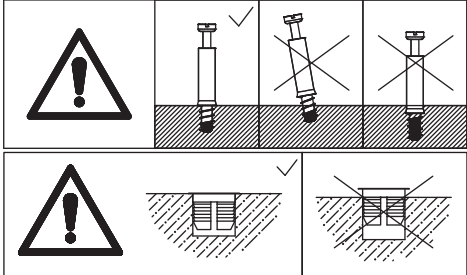


Connect panels 7 and 8 to panel 23 using screw (F), then attach the eccentric wheel (A) and tighten it by turning clockwise.

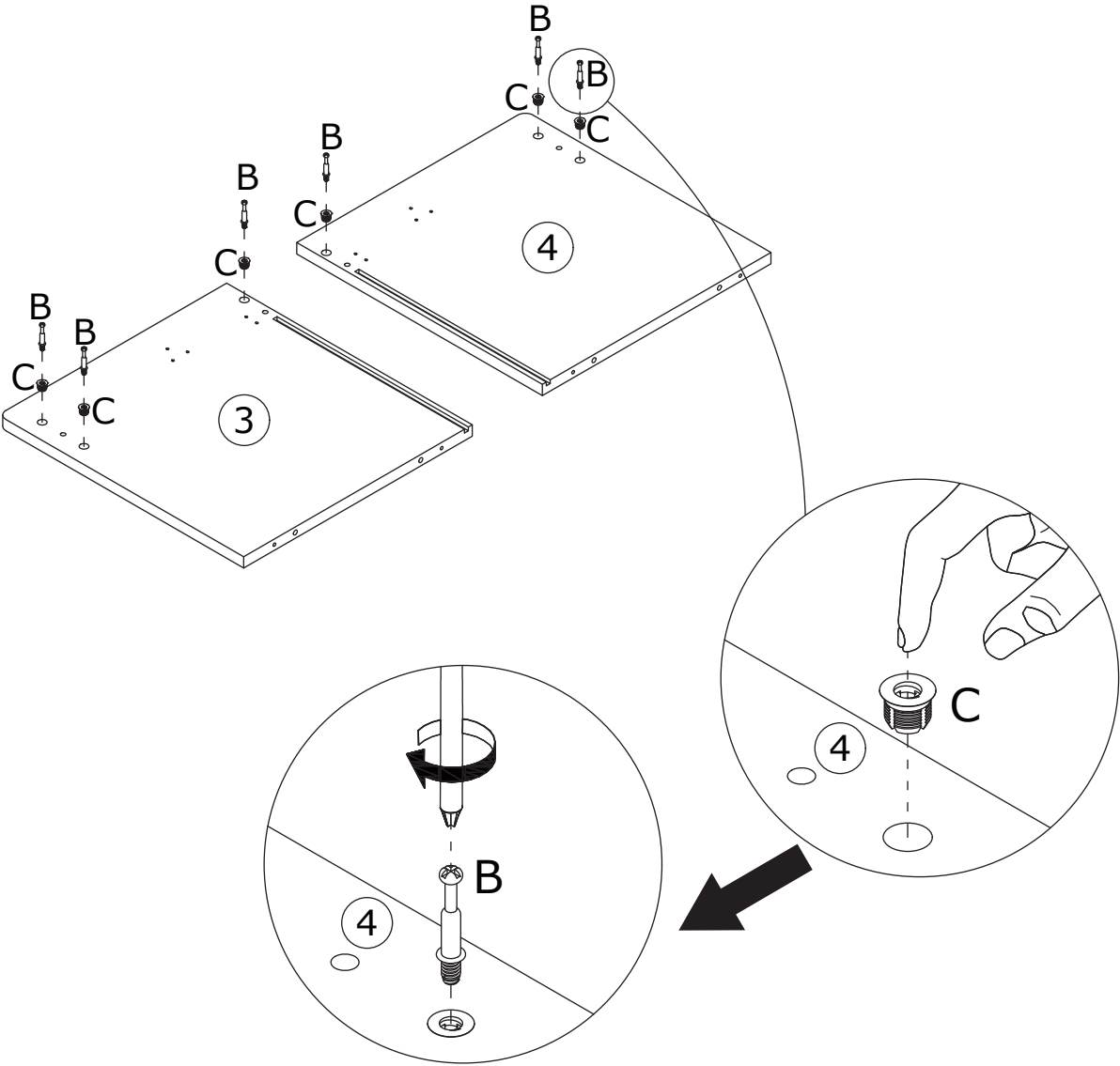
38



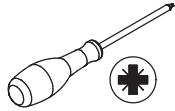
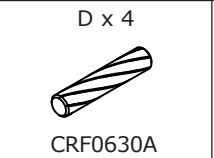
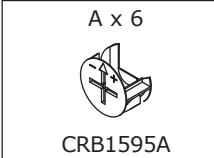
Option B



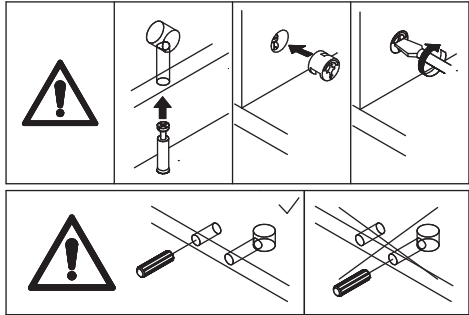
Attach component (C) into panels 3 and 4, then screw the self-tapping rod (B) into.



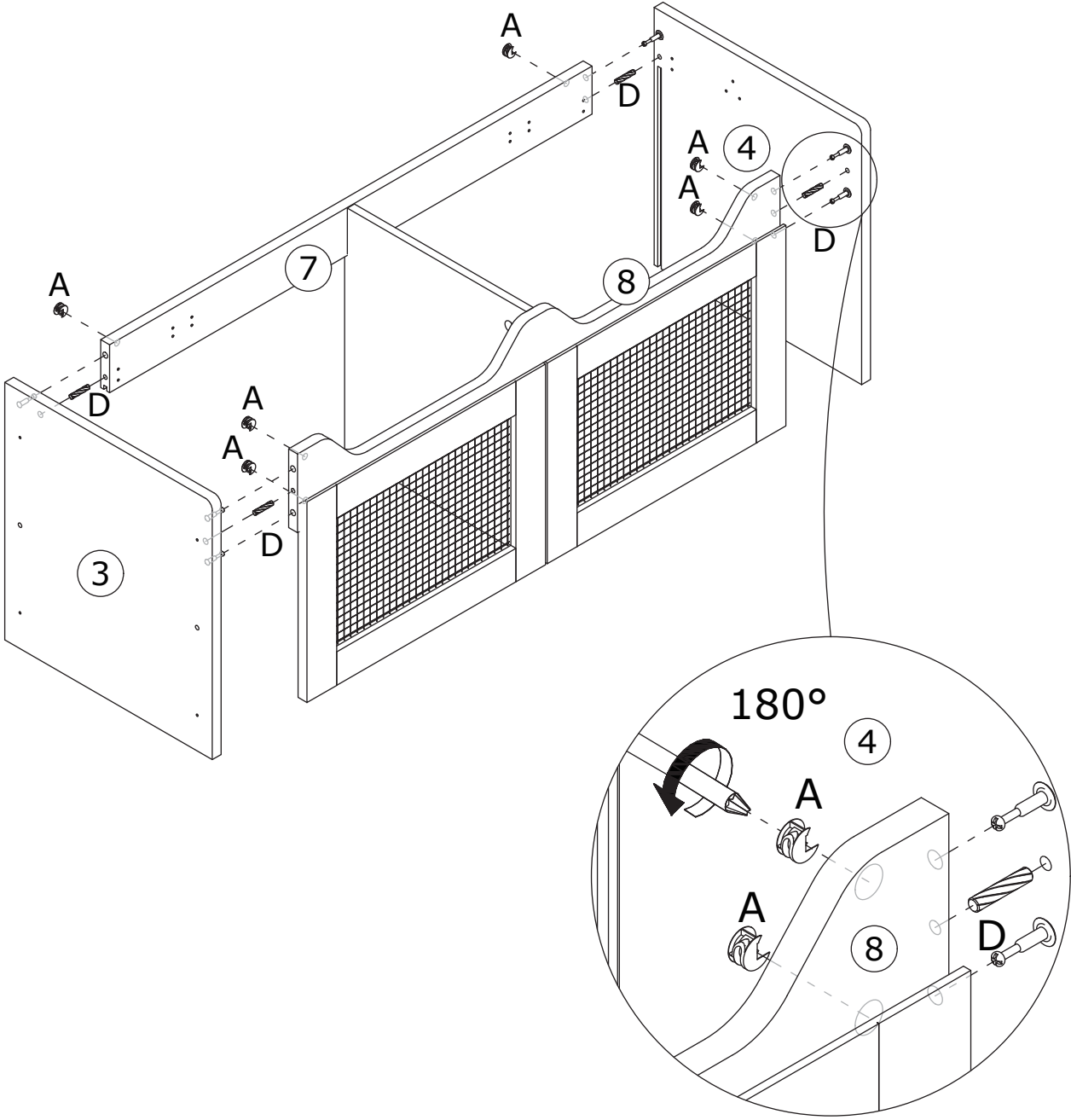
39



Option B



Connect panels 3 and 4 to panels 7 and 8 using wooden dowel (D), then attach the eccentric wheel (A) and tighten it by turning clockwise.



40

J x 2

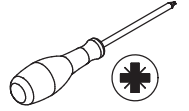


K x 8

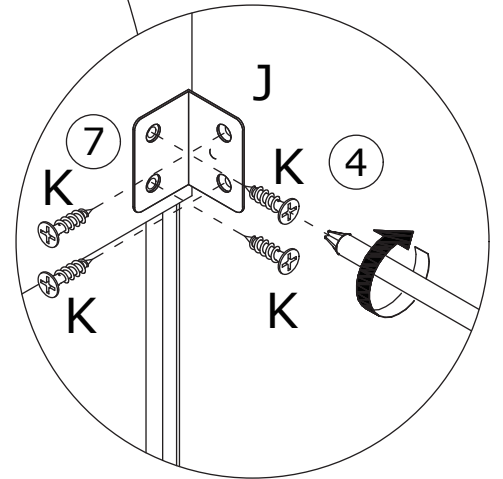
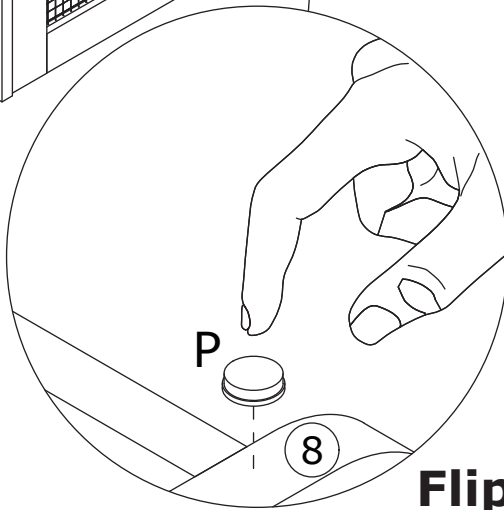
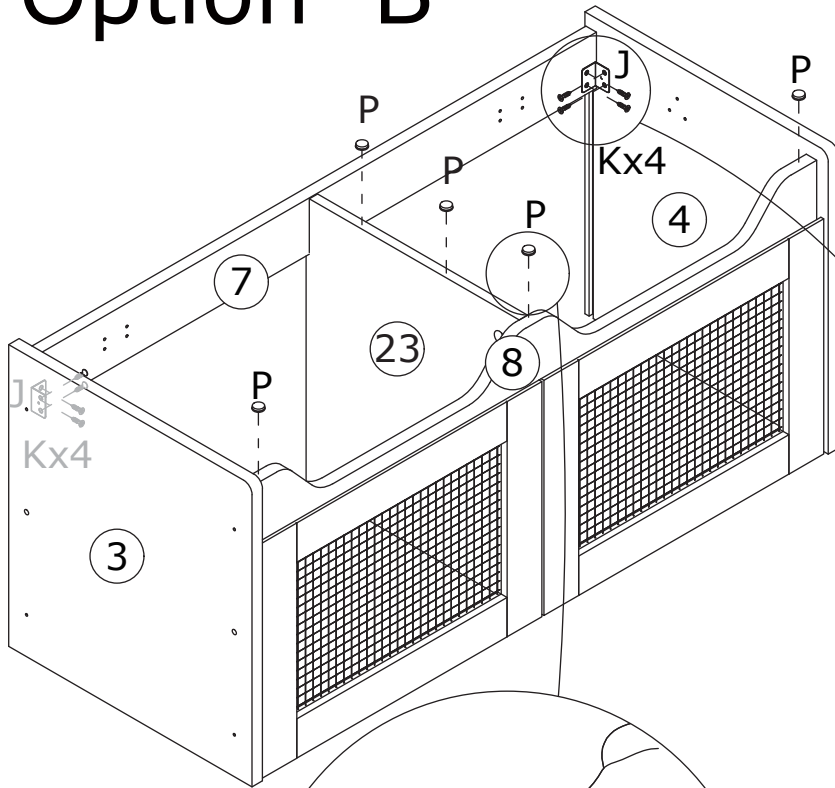
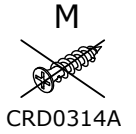


CRD3514A

P x 5



Option B

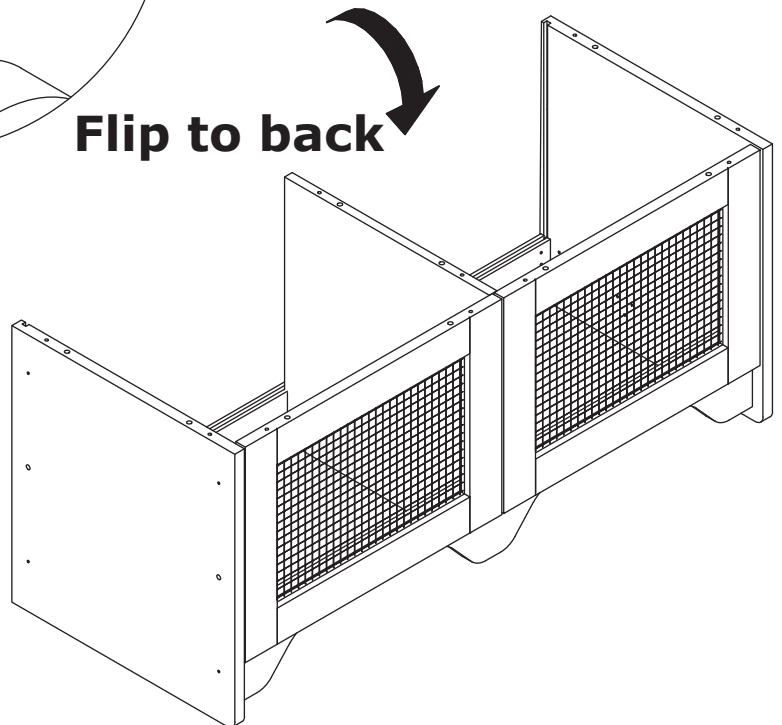


Flip to back

Secure component (J) to panels 3, 4, and 7 using screws (K).

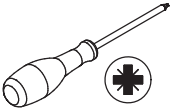
Attach component (P) to panels 8 and 23.

Flip the cabinet over.

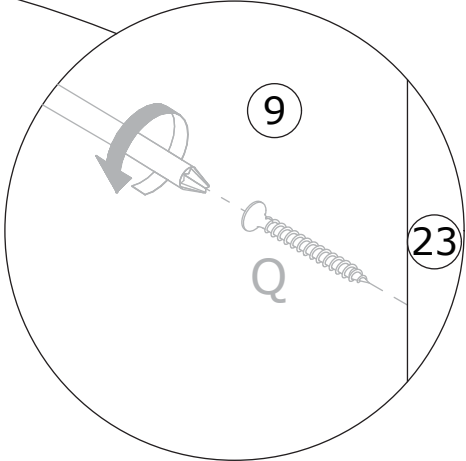
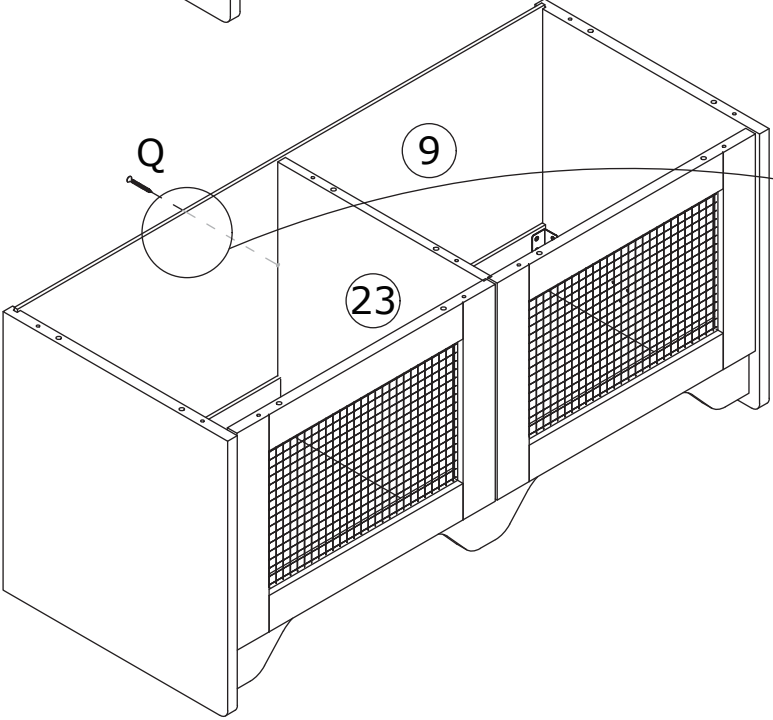
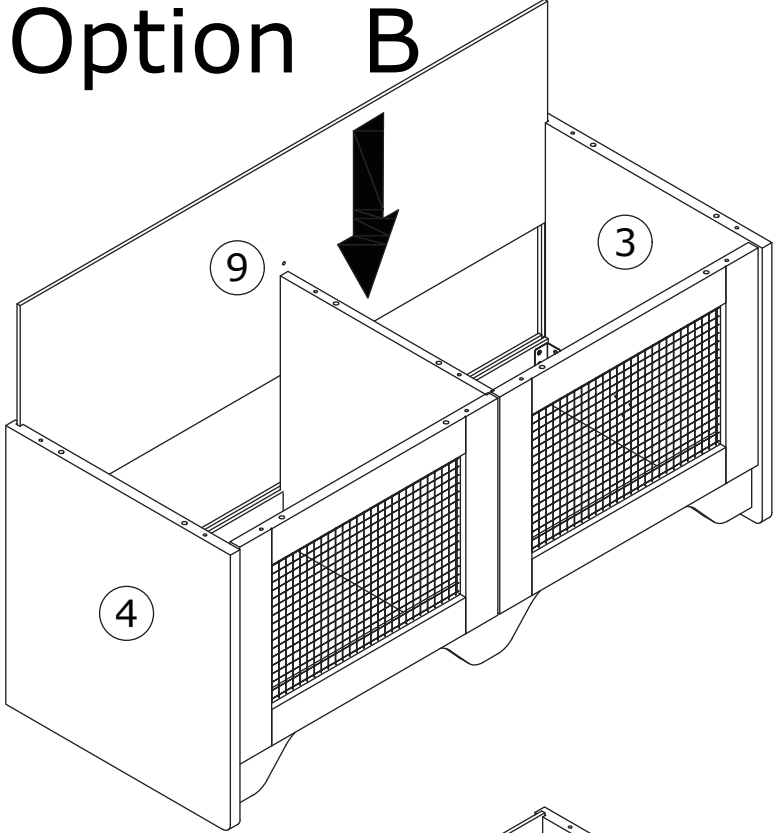


41

Q x 1
CRD3520A



Option B

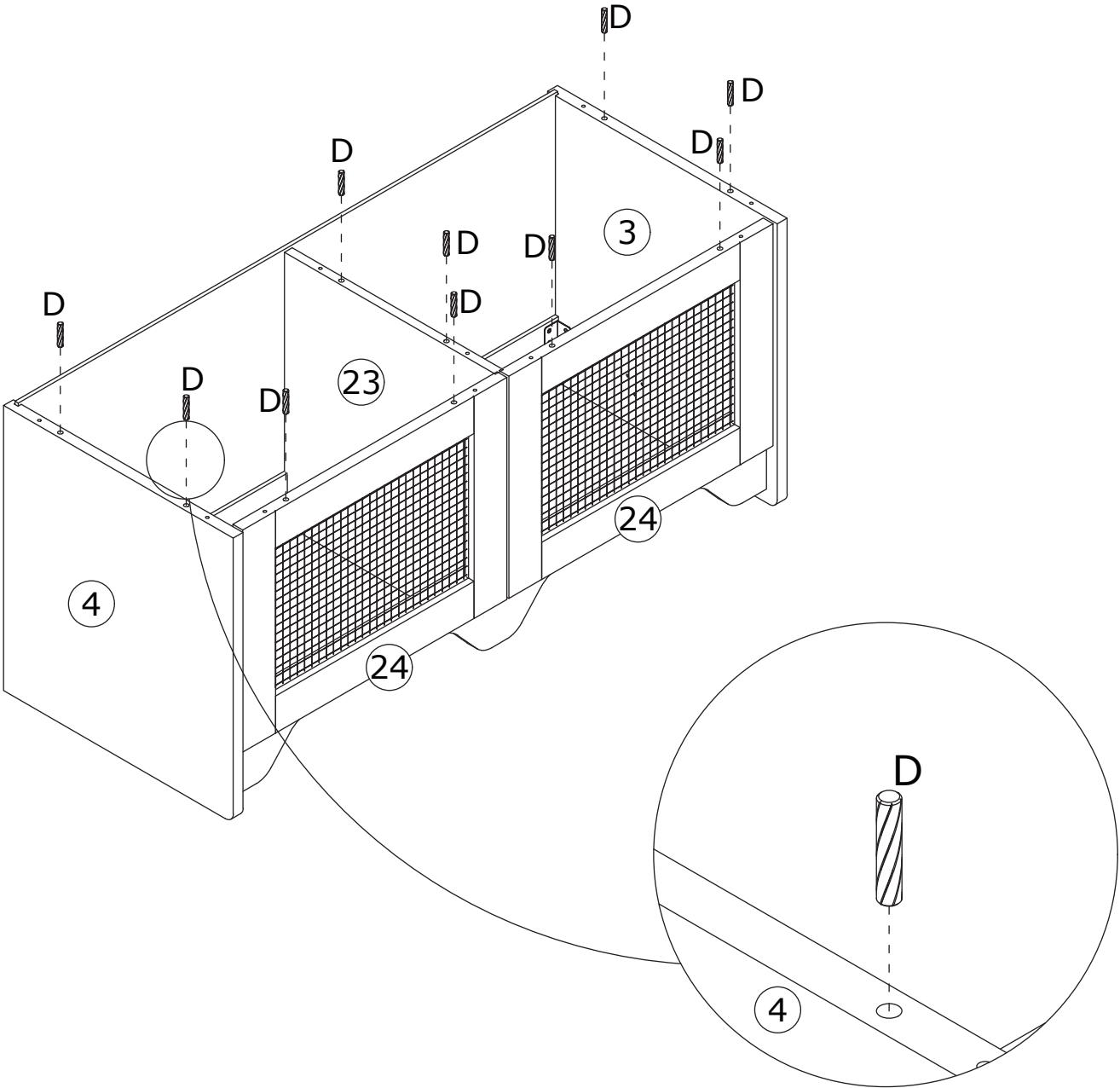
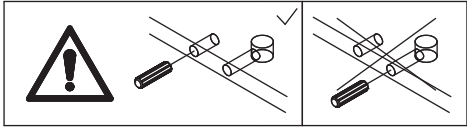


Insert panel 9 along the available slots and secure it to panel 23 using screw (Q).

42



Option B



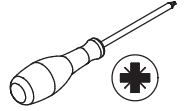
Insert wooden dowel (D) into panels 3, 4, 23 and 24.

43

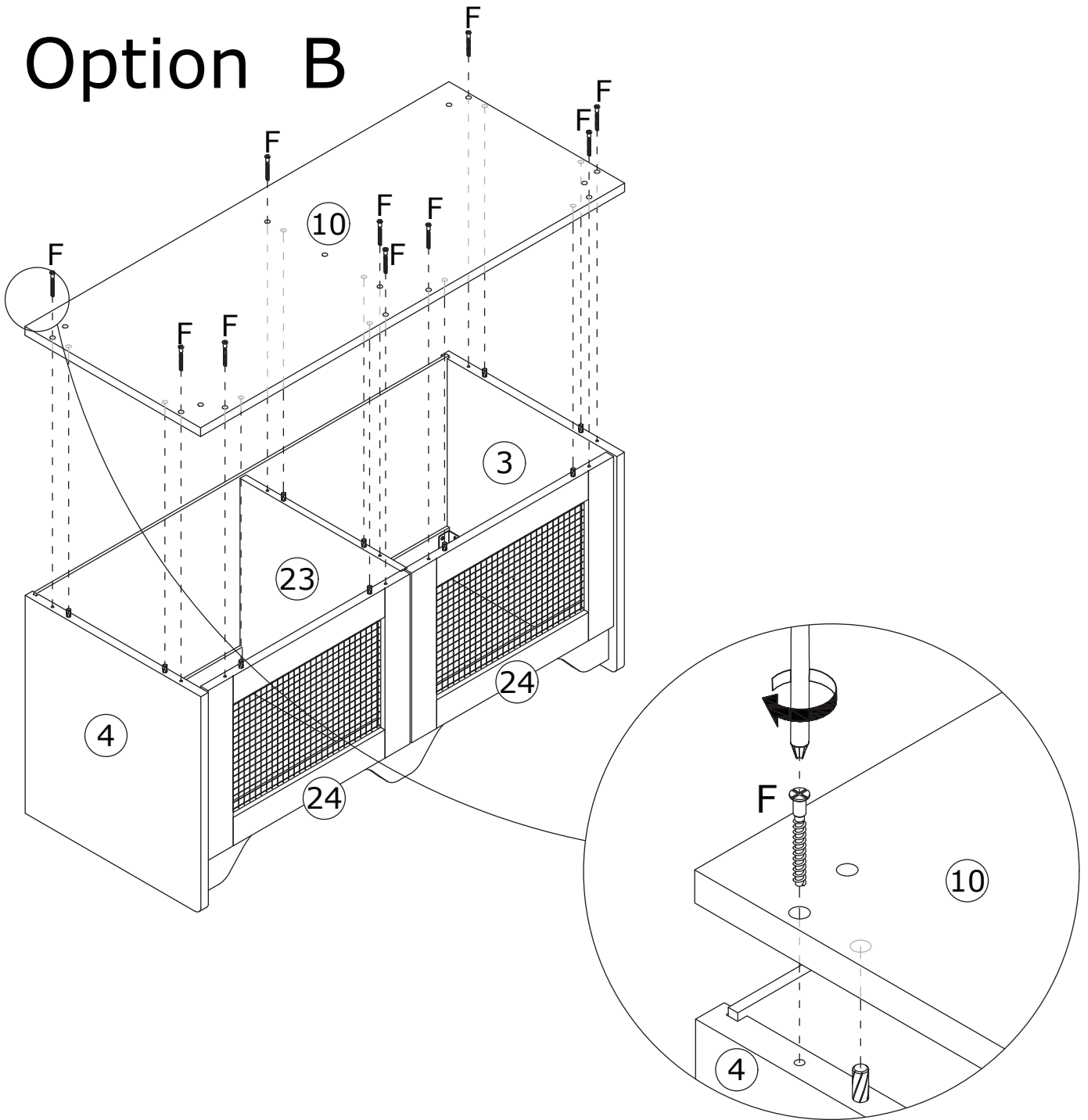
F x 10



CRC0540A



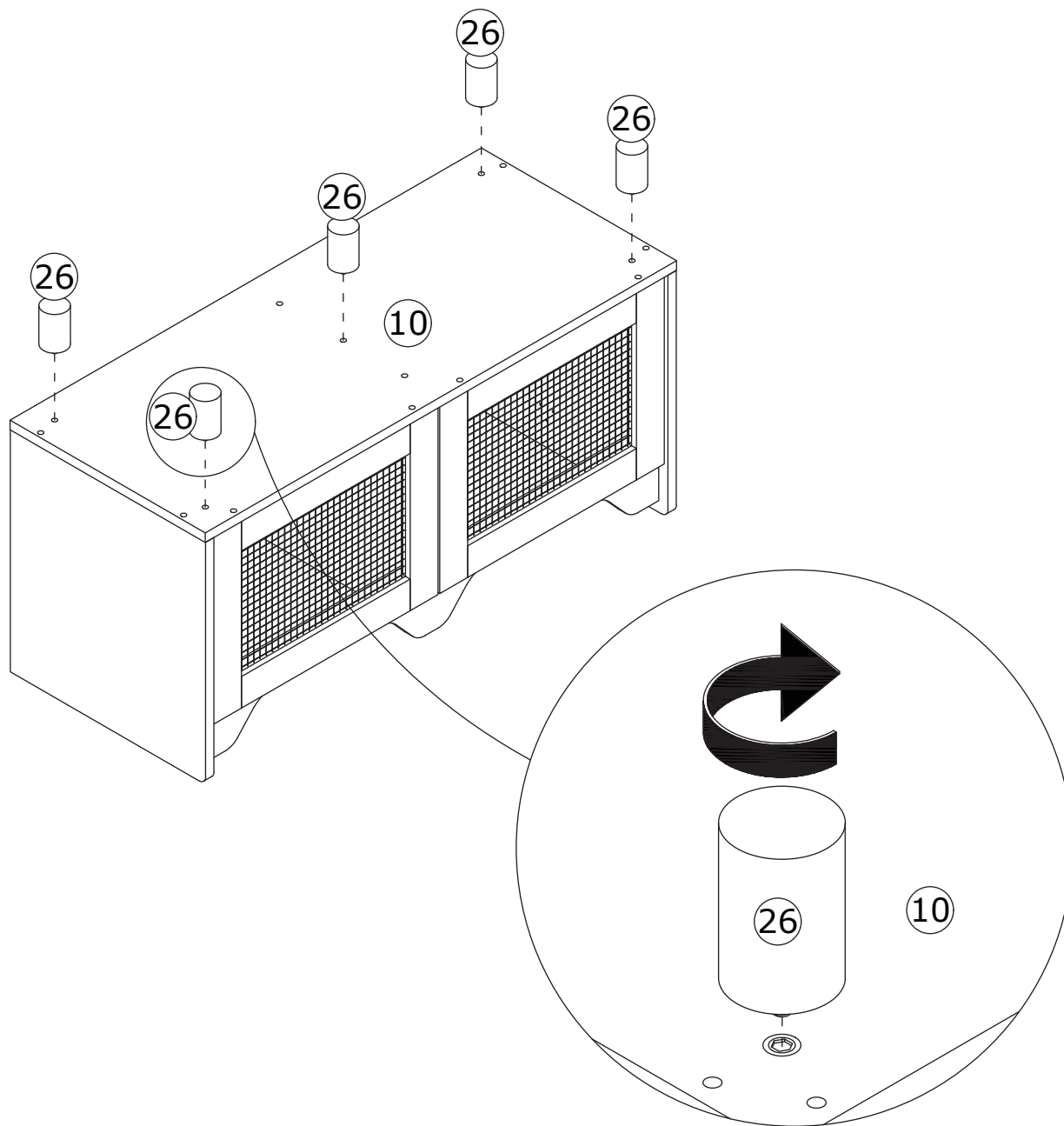
Option B



Secure panel 10 to the mounting unit using screw (F).

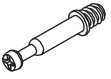

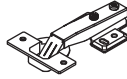

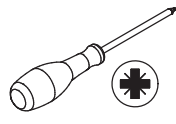
44

Option B

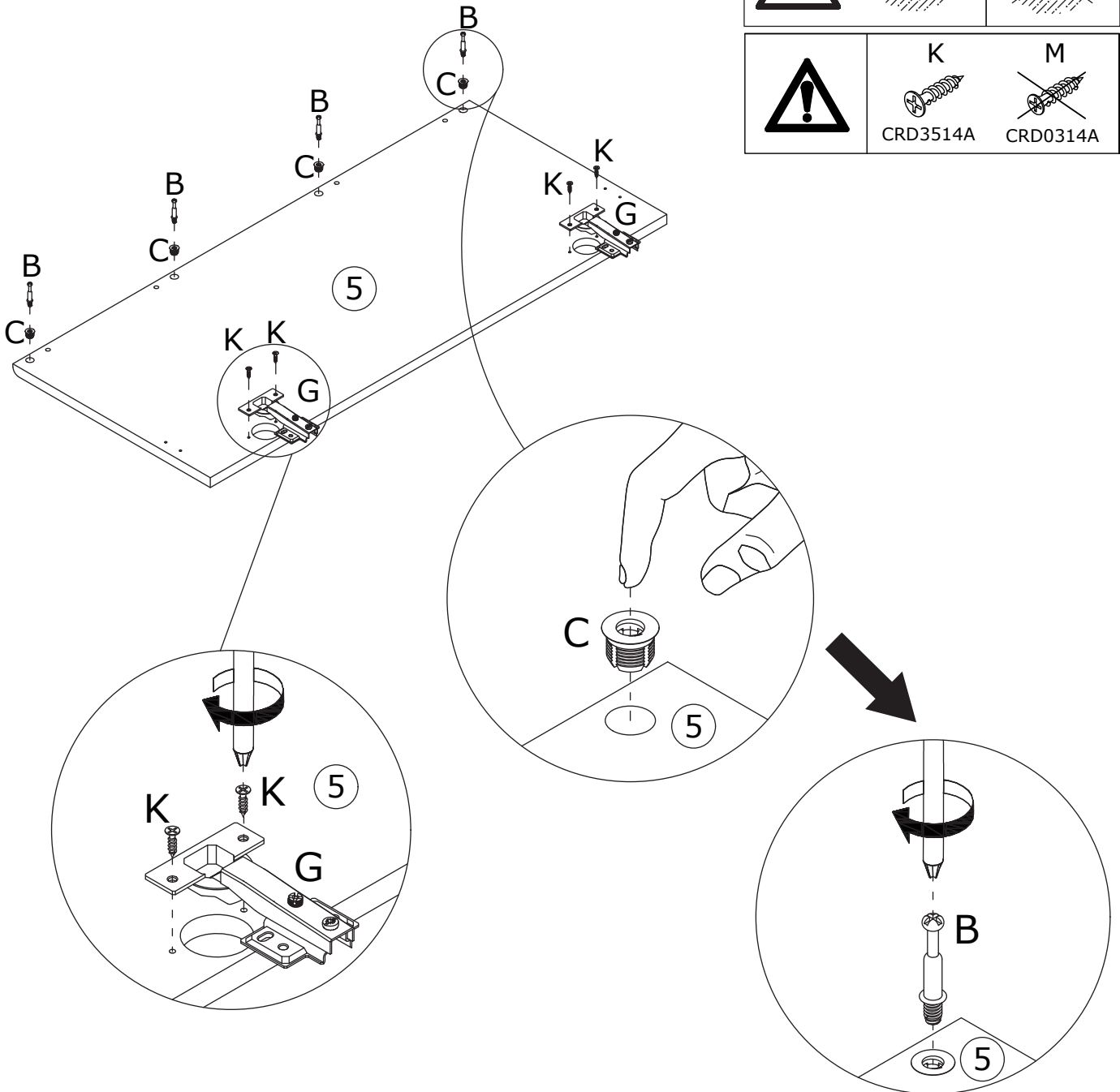
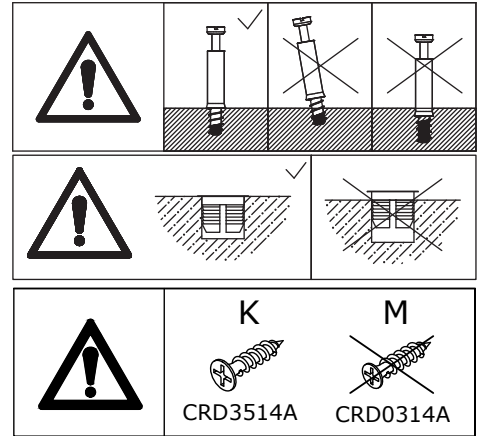


Attach leg 26 into panel 10.

45

B x 4  CRA0635B	C x 4  C x 4	G x 2  DGA861A	K x 4  CRD3514A	
--	---	---	---	---

Option B



Add component (C) into panel 5, screw self-tapping rod (B) into, and secure hinge (G) to panel 5 using screw (K).

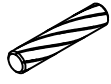
46

A x 4

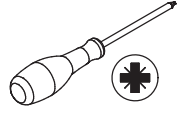


CRB1595A

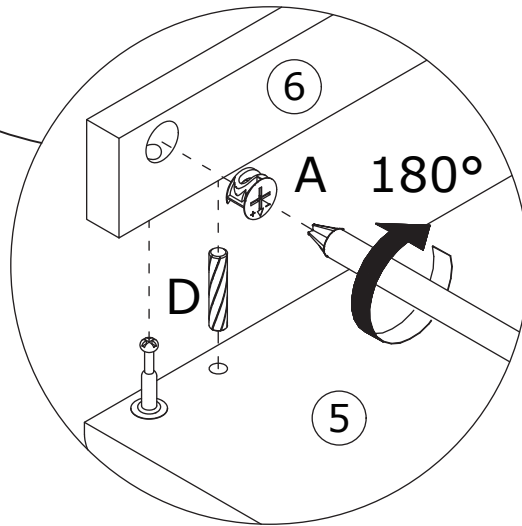
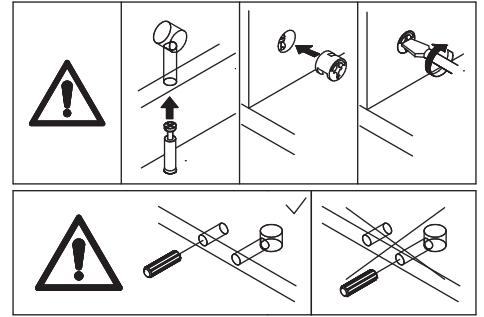
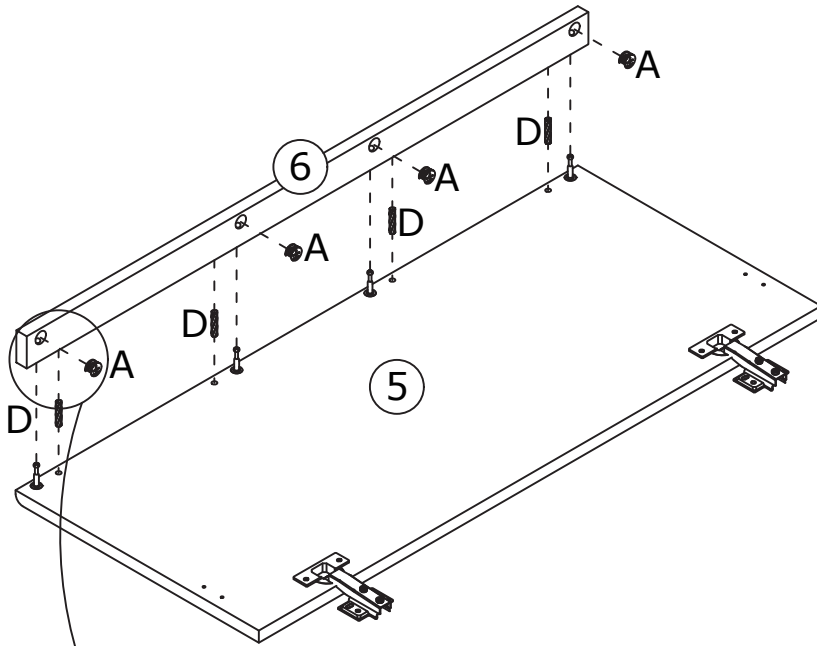
D x 4



CRF0630A



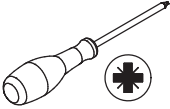
Option B



Connect panel 6 to panel 5 using wooden dowel (D), then attach the eccentric wheel (A) and tighten it by turning clockwise.

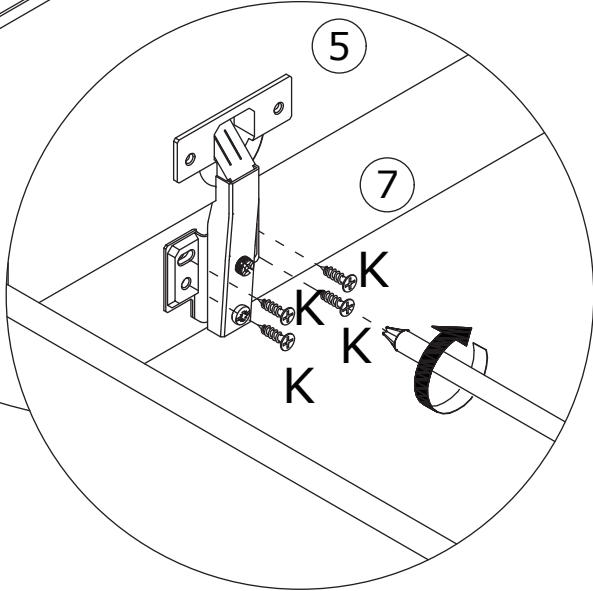
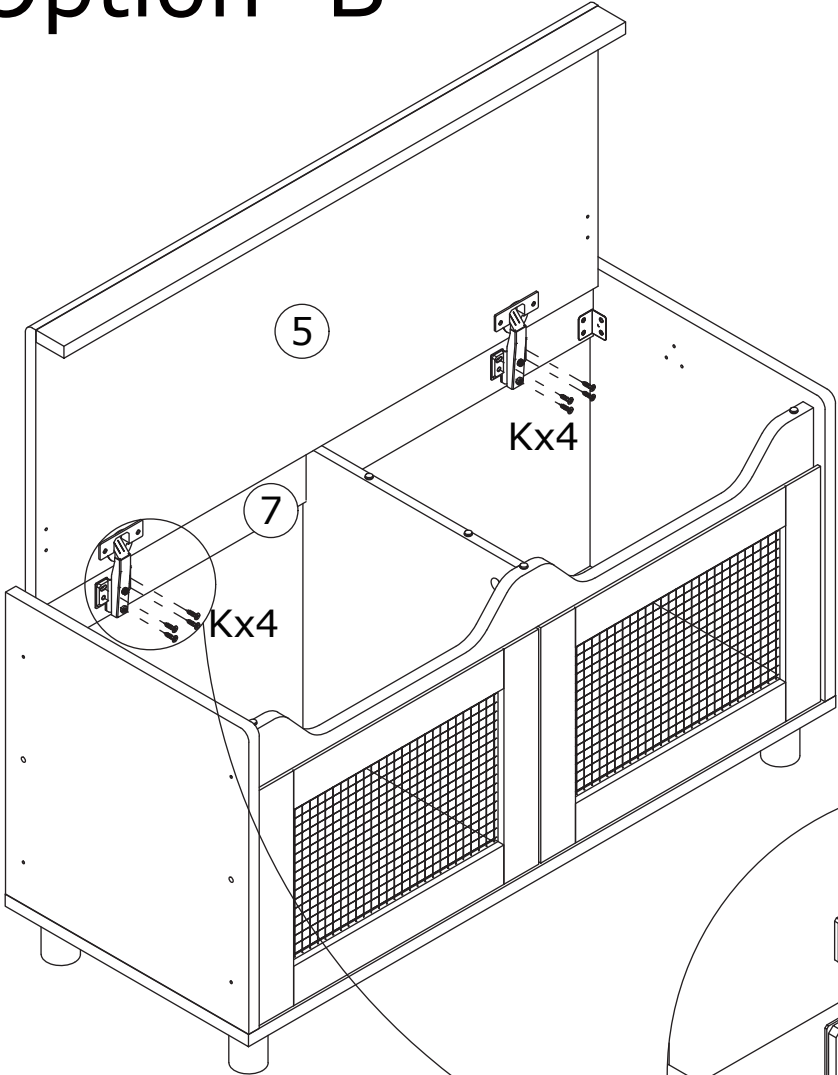
47

K x 8
CRD3514A

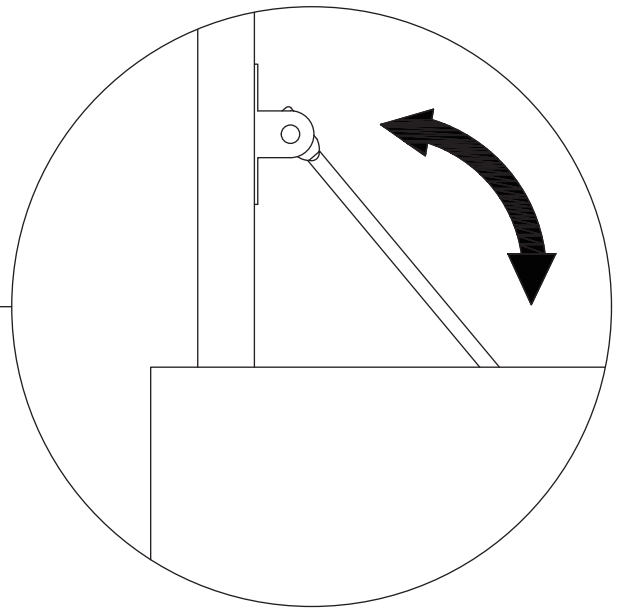
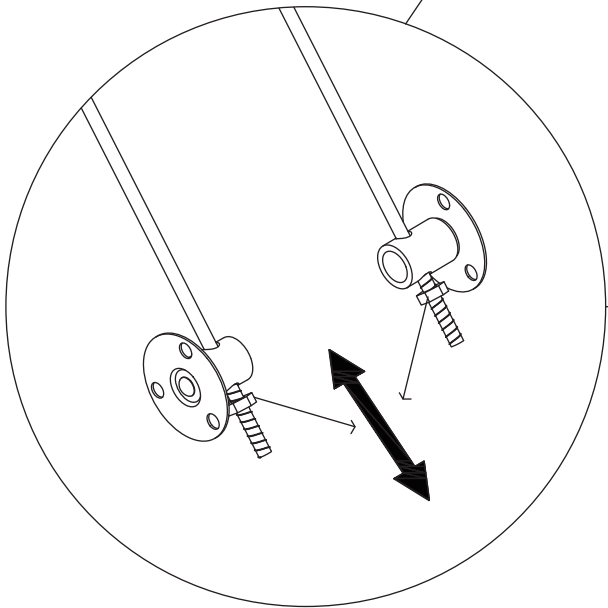
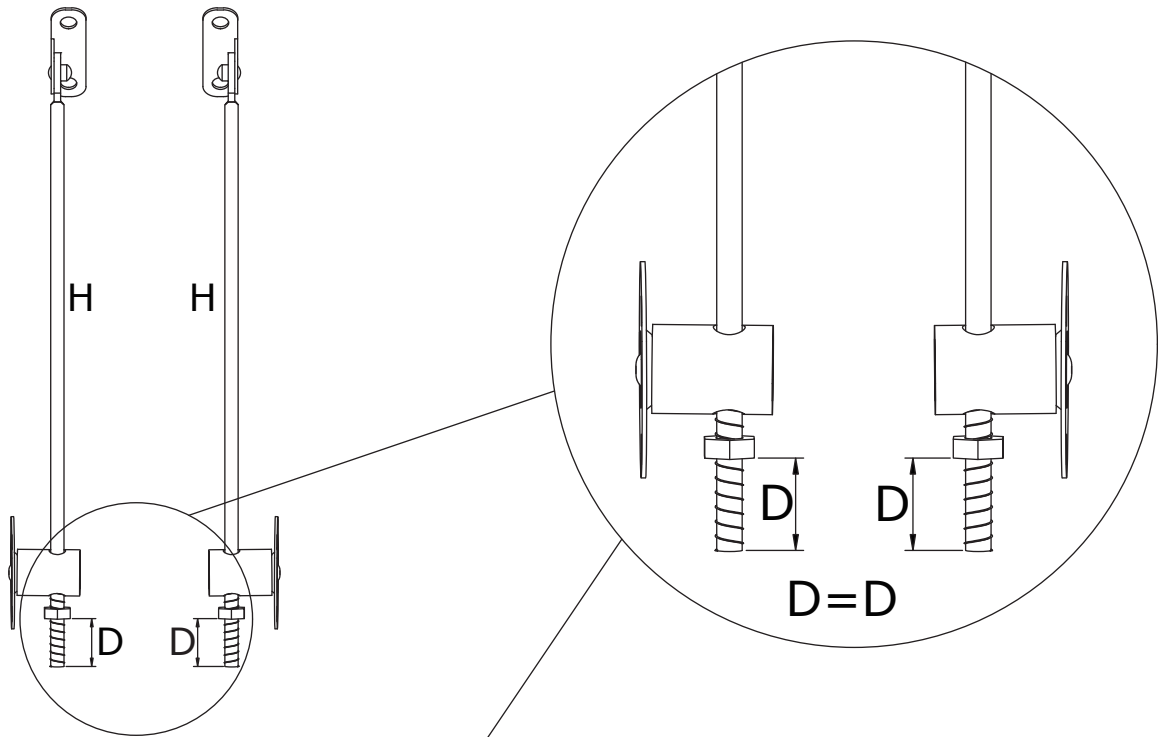


Option B

	 K CRD3514A	 M CRD0314A
--	-------------------	------------------------------

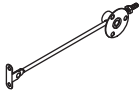


Secure panel 5 to panel 7 using screws (K).



49

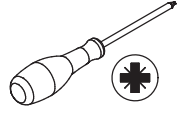
H x 2



K x 10



CRD3514A

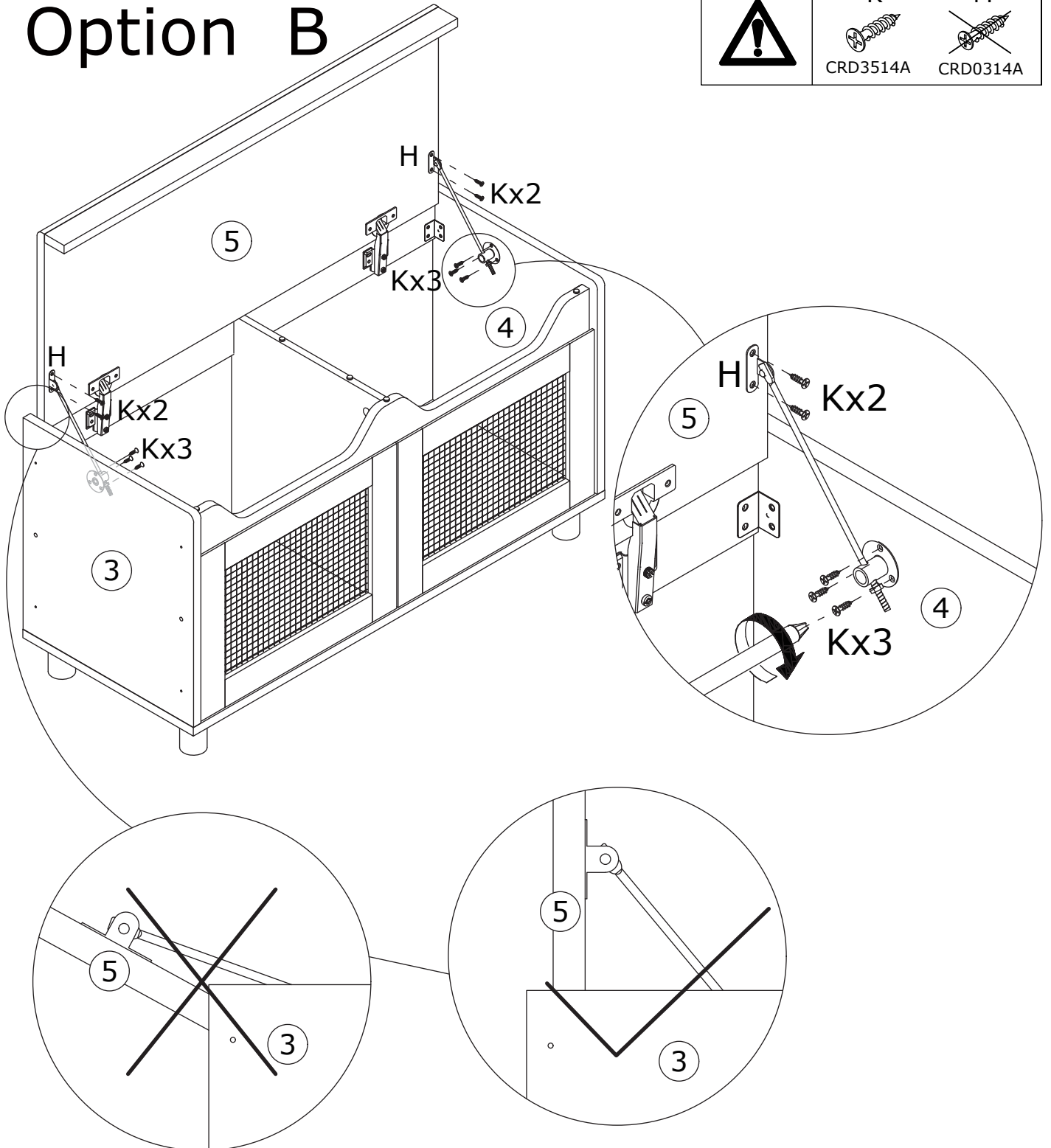


Option B



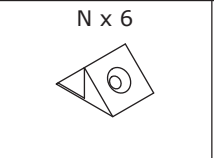
K
CRD3514A

~~M~~
~~CRD0314A~~

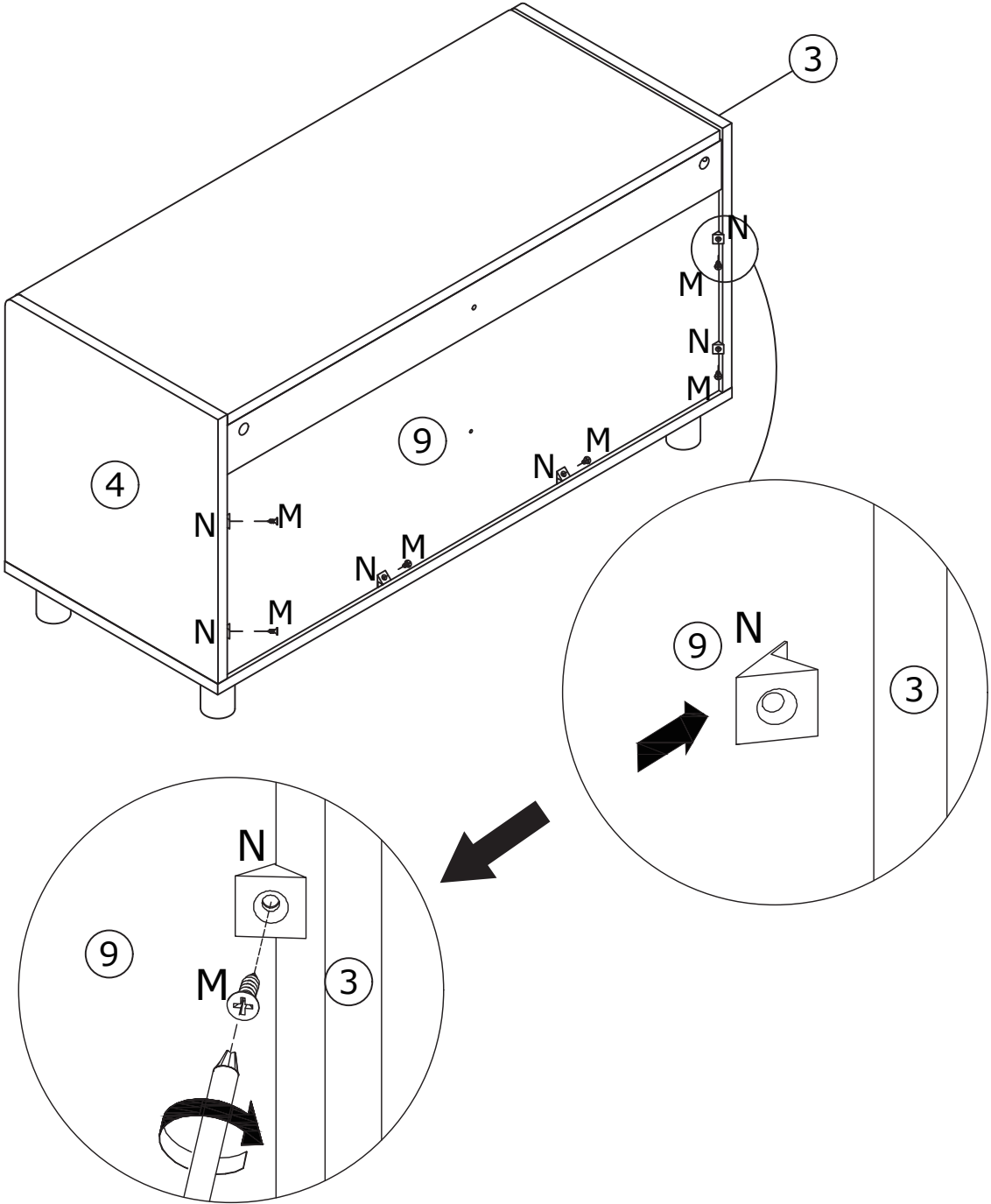
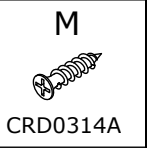
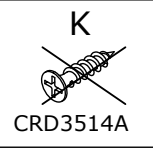


Secure component (H) to panels 3, 4 and 5 using screw (K).

50

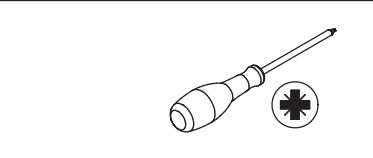


Option B



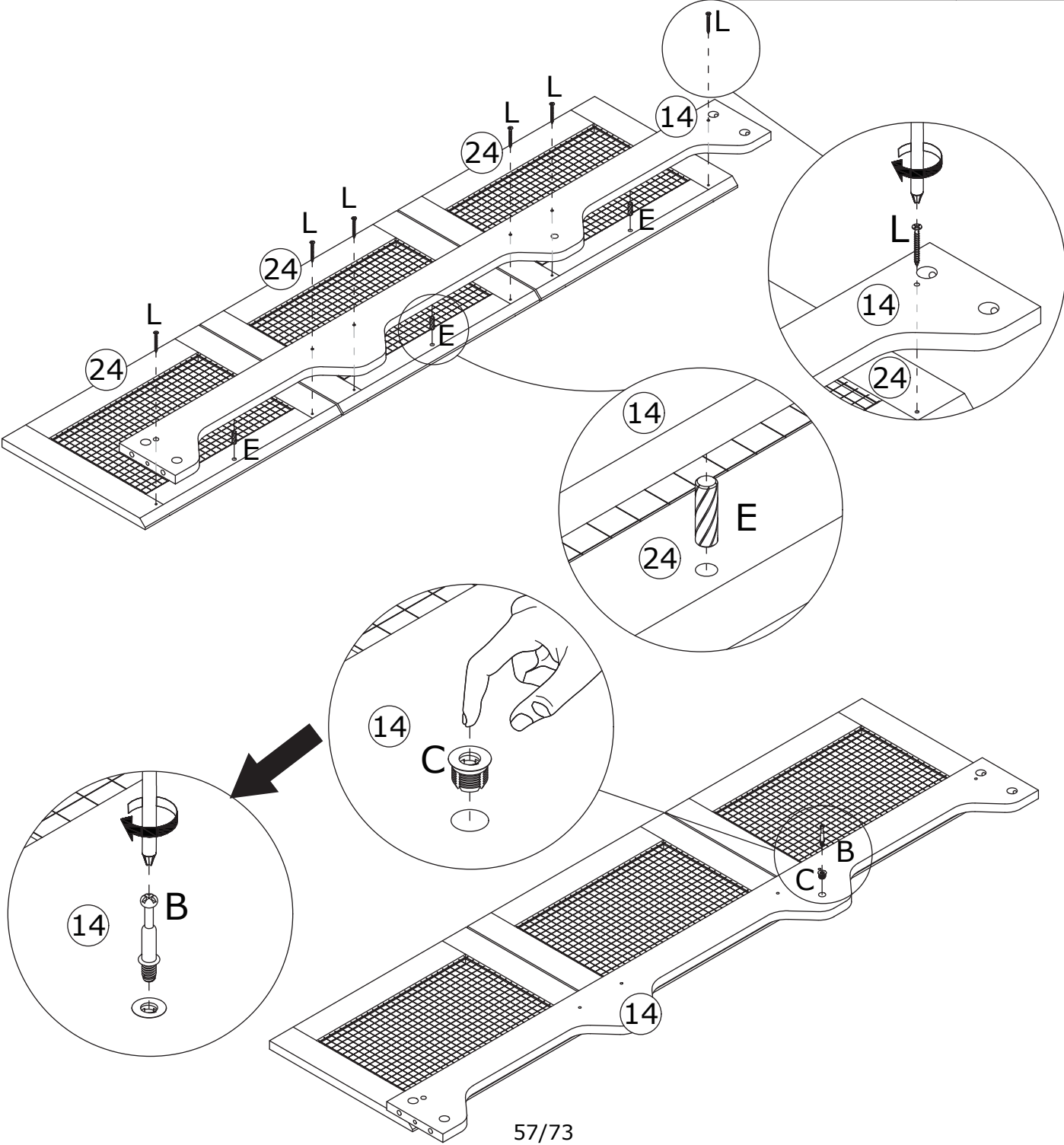
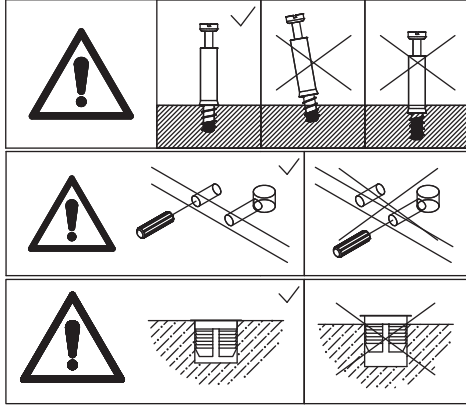
Insert buckle (N) into back slots and secure using screws (M).

51

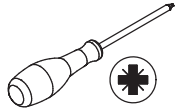
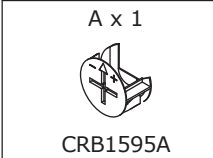


Option B

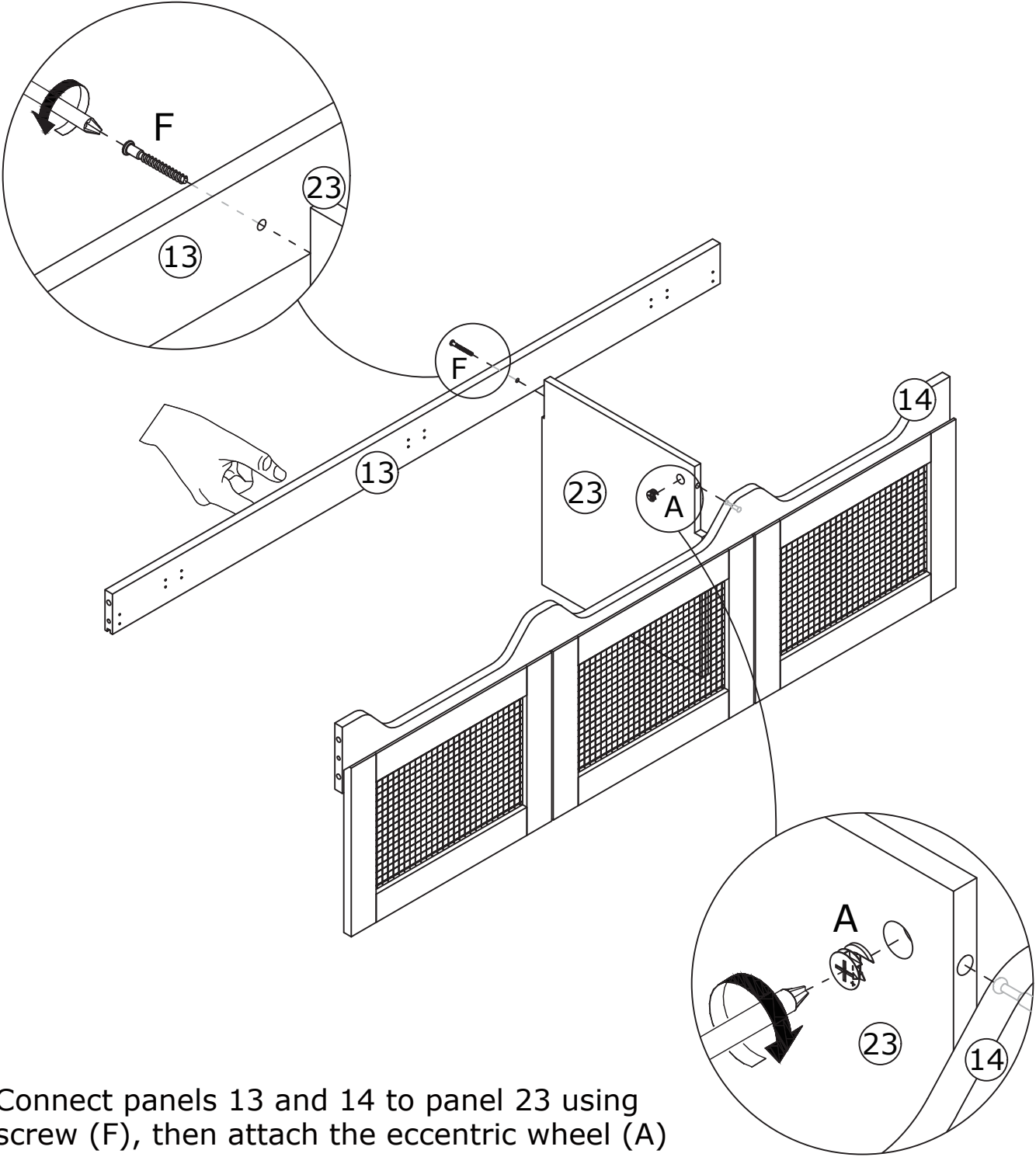
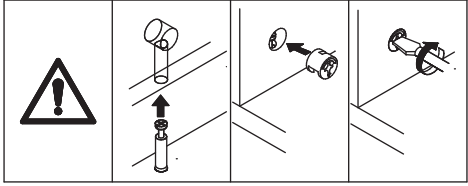
Connect panel 14 to panel 24 using wooden dowel (E), and secure with screw (L). Attach component (C) into panel 14, and screw the self-tapping rod (B) into.



52



Option B



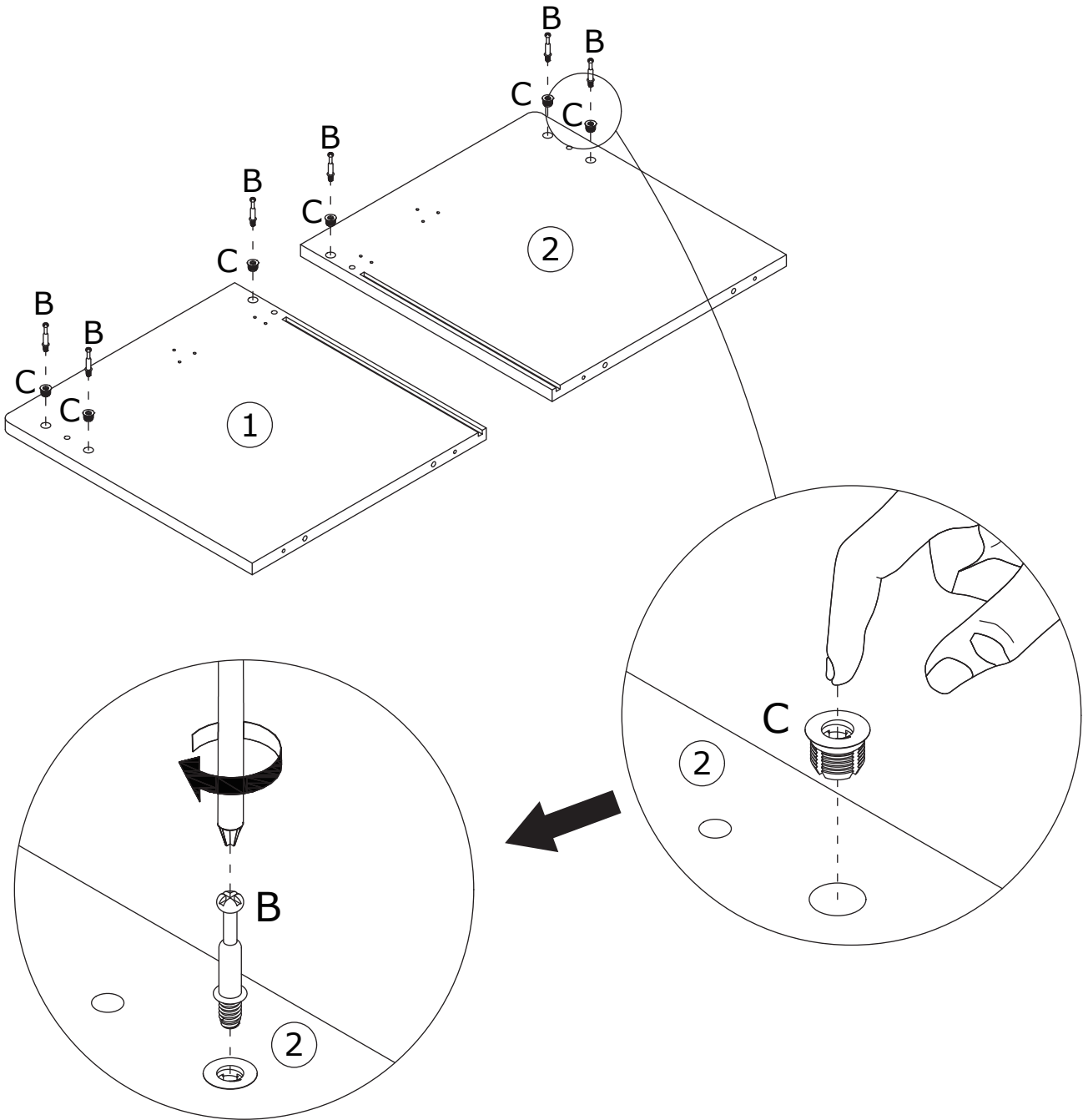
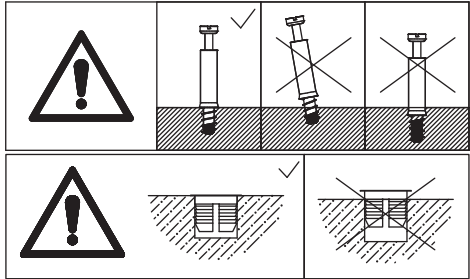
Connect panels 13 and 14 to panel 23 using screw (F), then attach the eccentric wheel (A) and tighten it by turning clockwise.

53

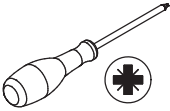
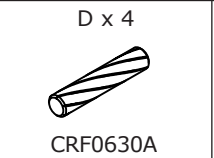
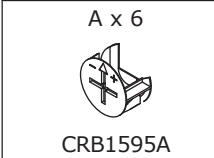


Option B

Attach component (C) into panels 1 and 2, then screw the self-tapping rod (B) into.

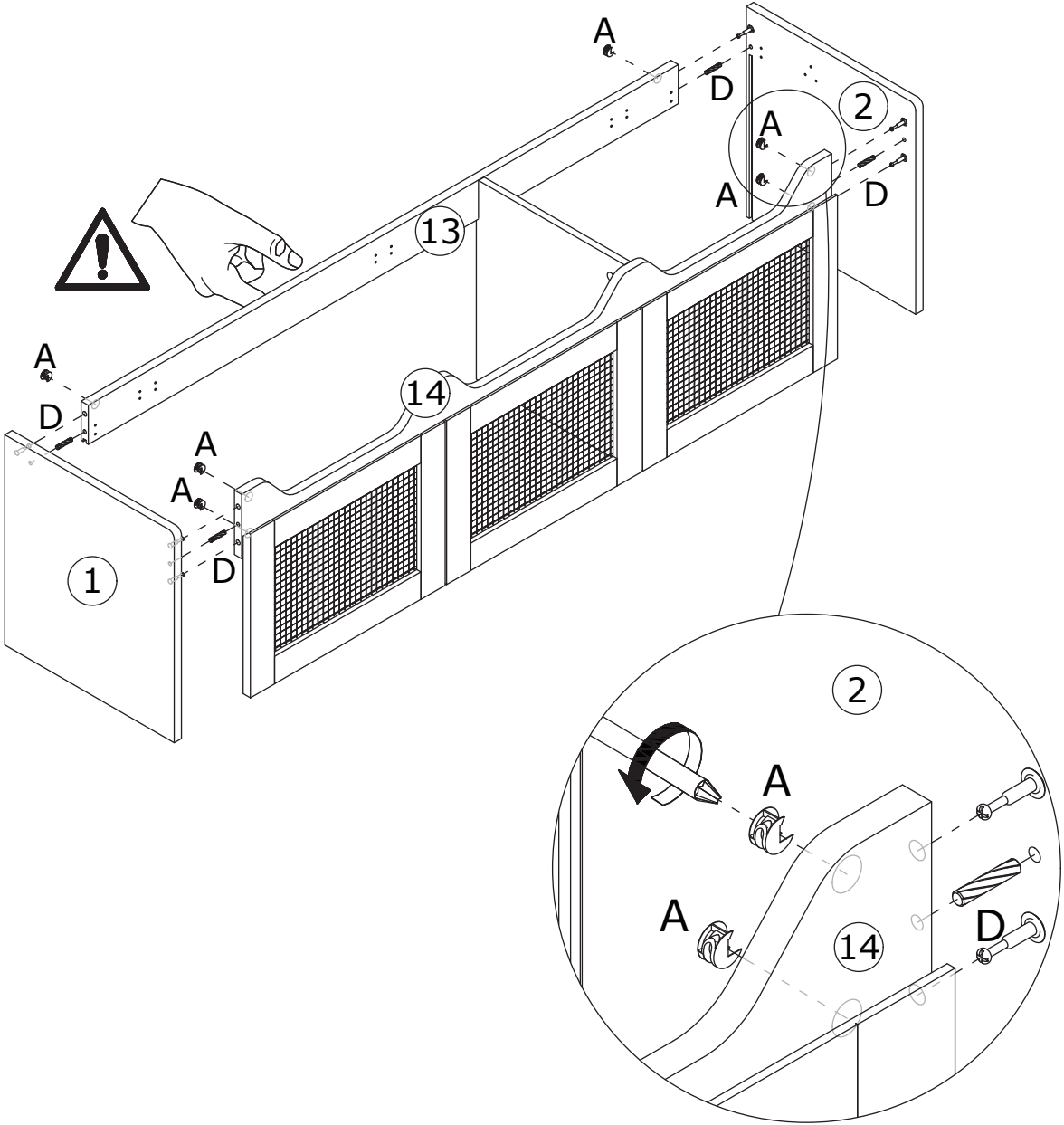
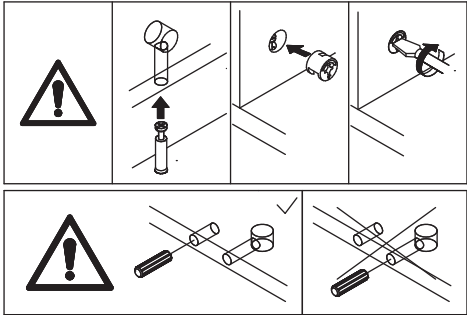


54

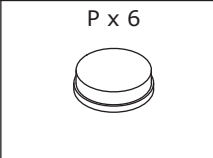
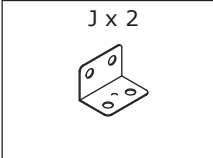


Option B

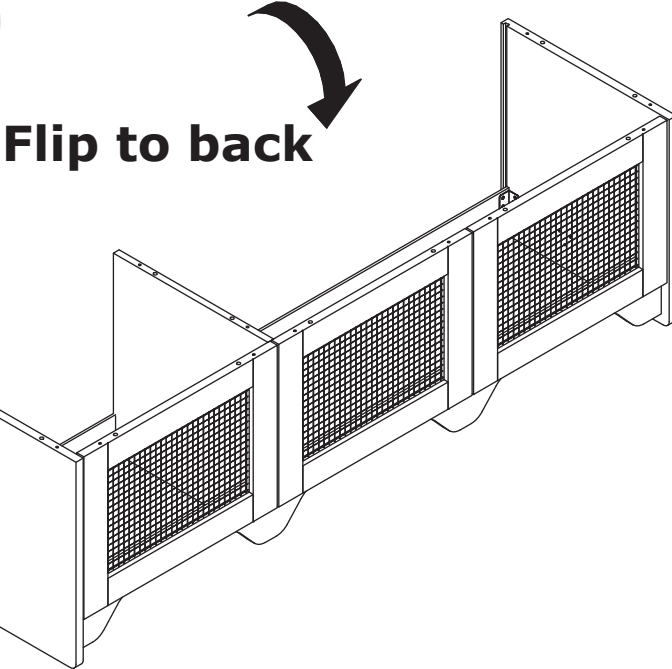
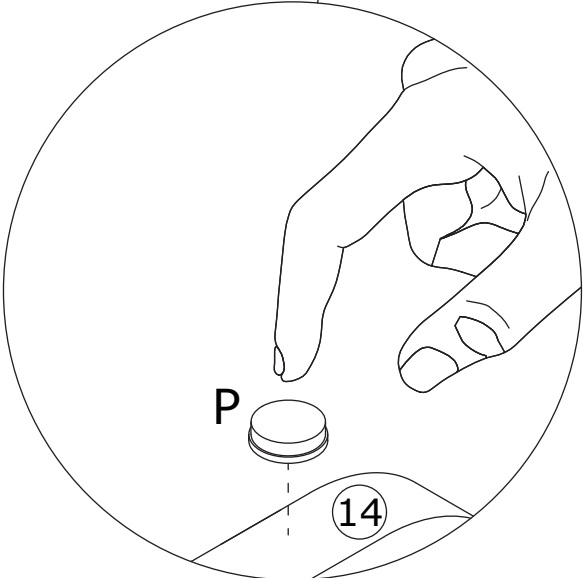
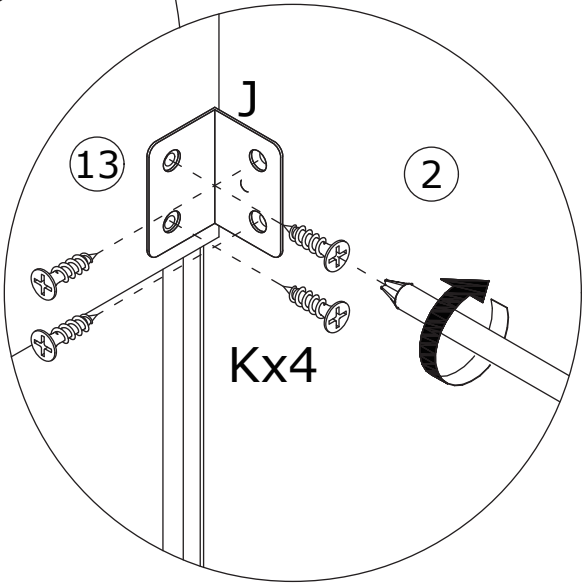
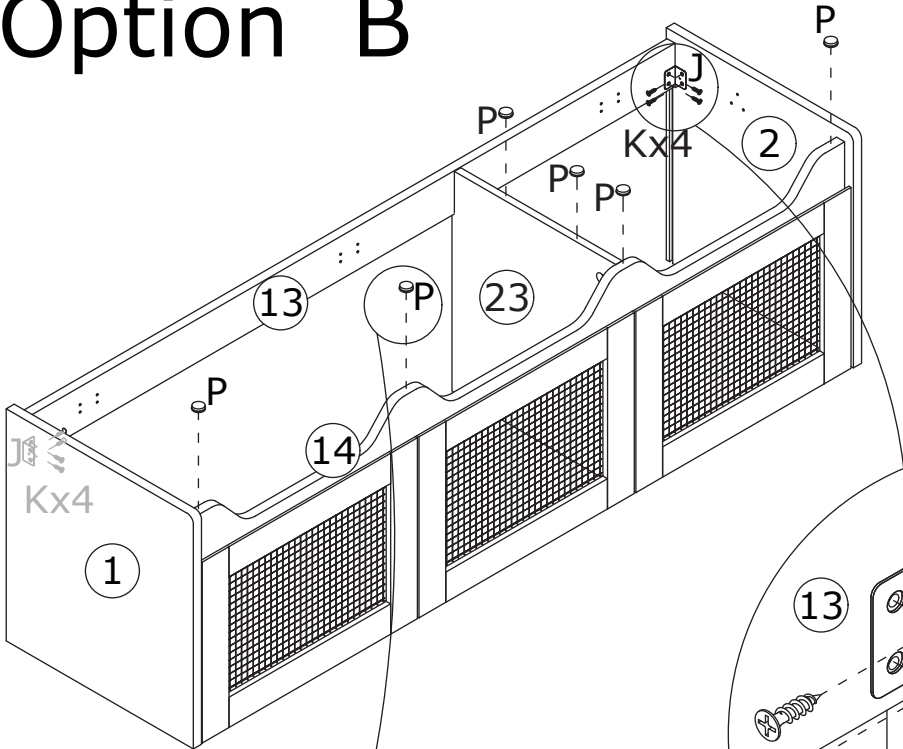
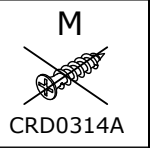
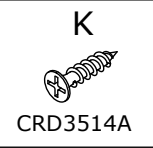
Connect panels 1 and 2 to panels 13 and 14 using wooden dowel (D), then attach the eccentric wheel (A) and tighten it by turning clockwise.



55

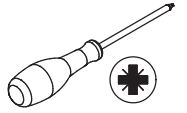
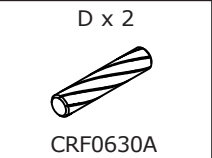


Option B

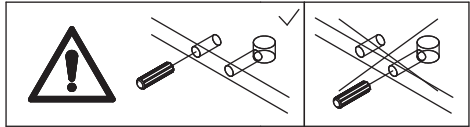


Secure component (J) to panels 1, 2, and 13 using screw (K).
Attach component (P) to panels 14 and 23.
Flip the cabinet over.

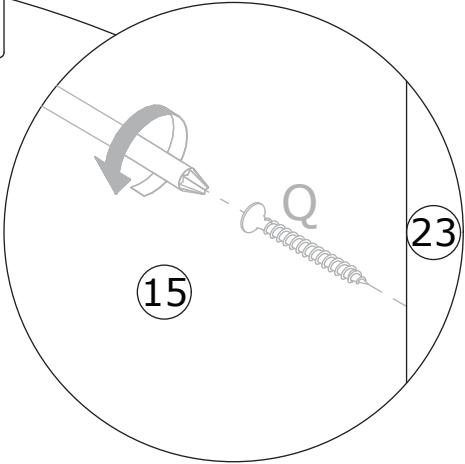
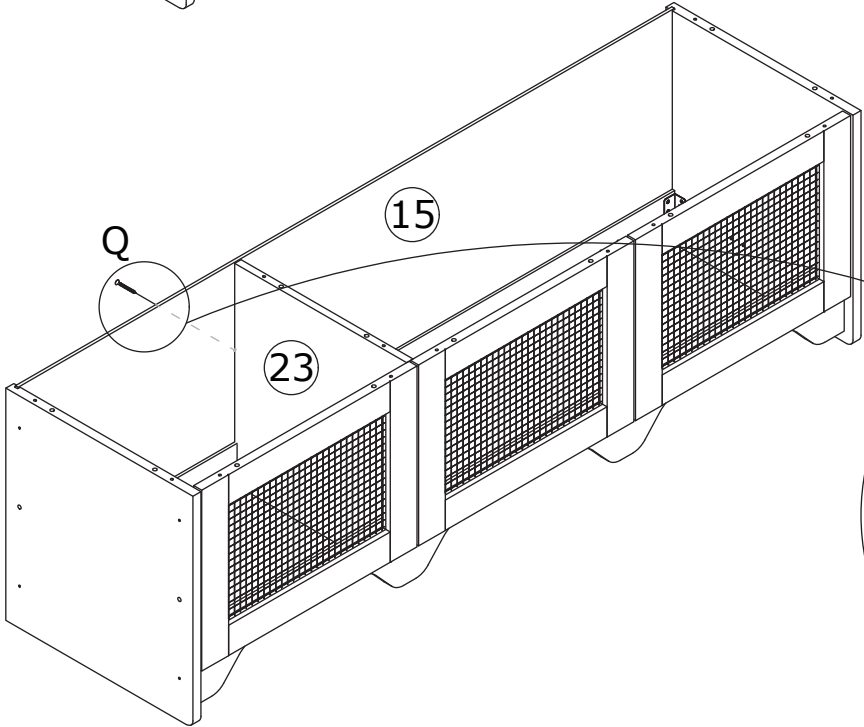
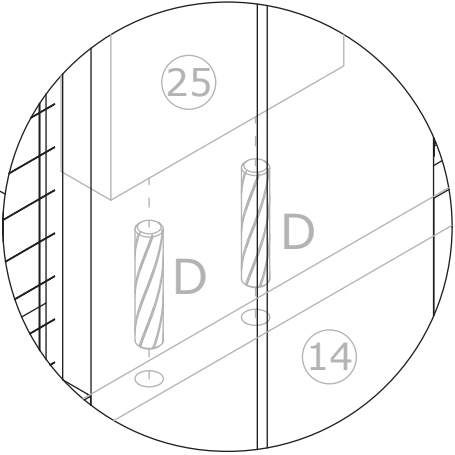
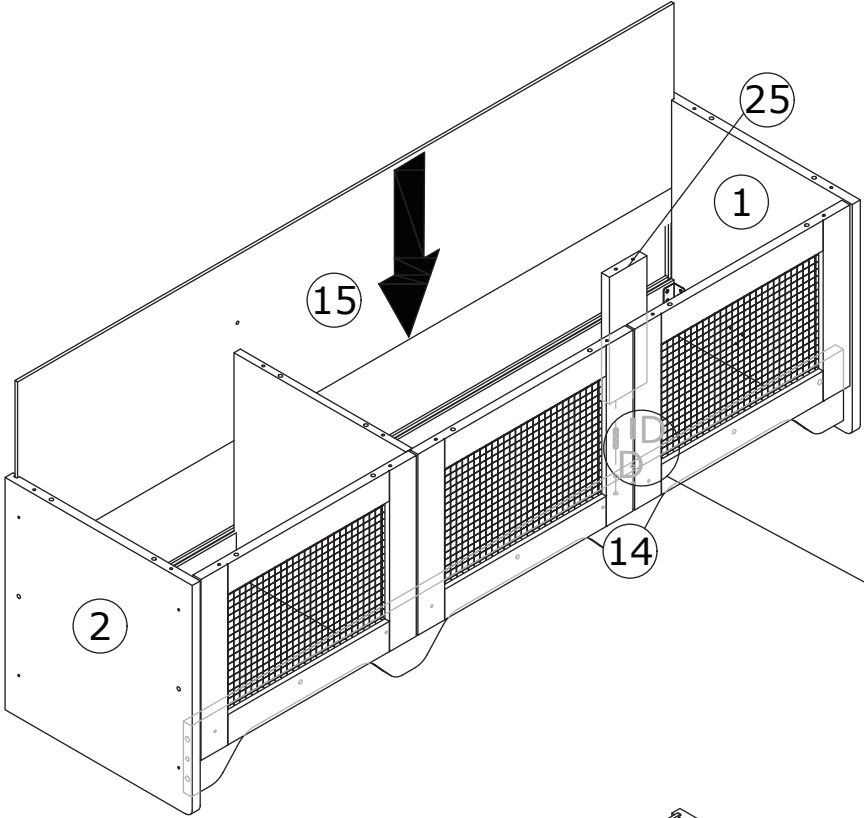
56



Option B



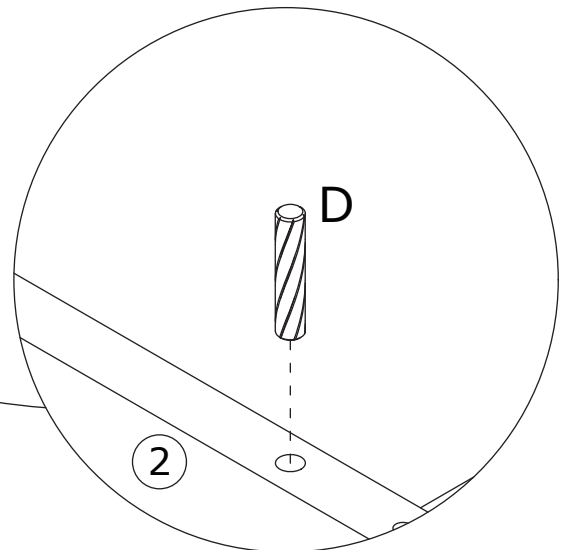
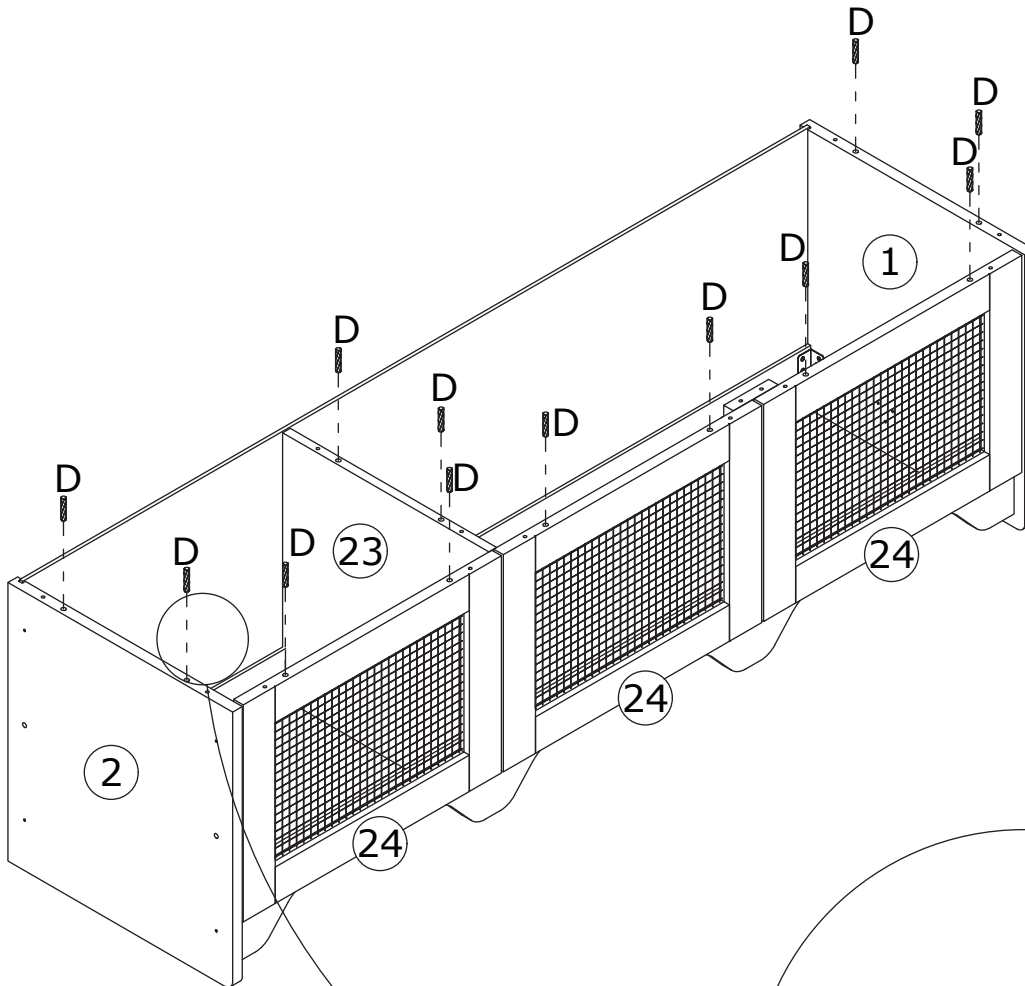
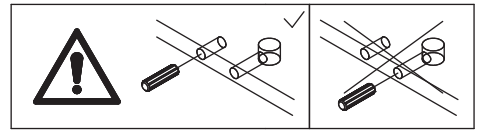
Insert panel 15 into the available slots, then secure to panel 23 using screw (Q). Connect panel 25 to panel 14 using wooden dowel (D).



57

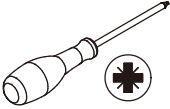


Option B

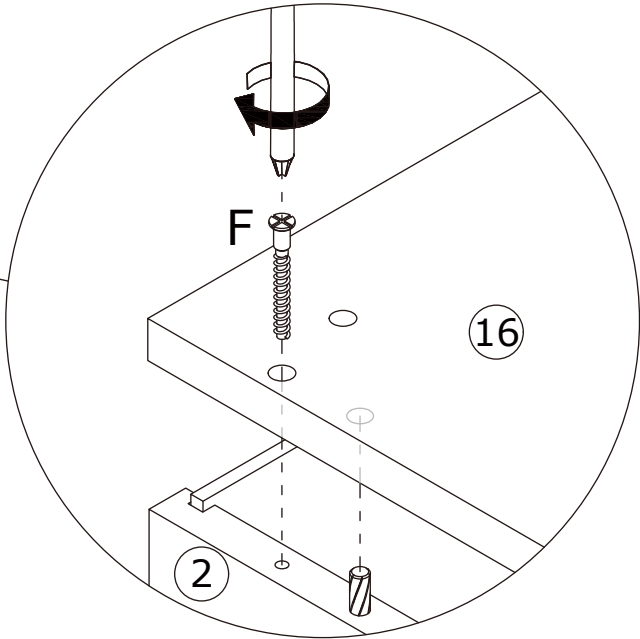
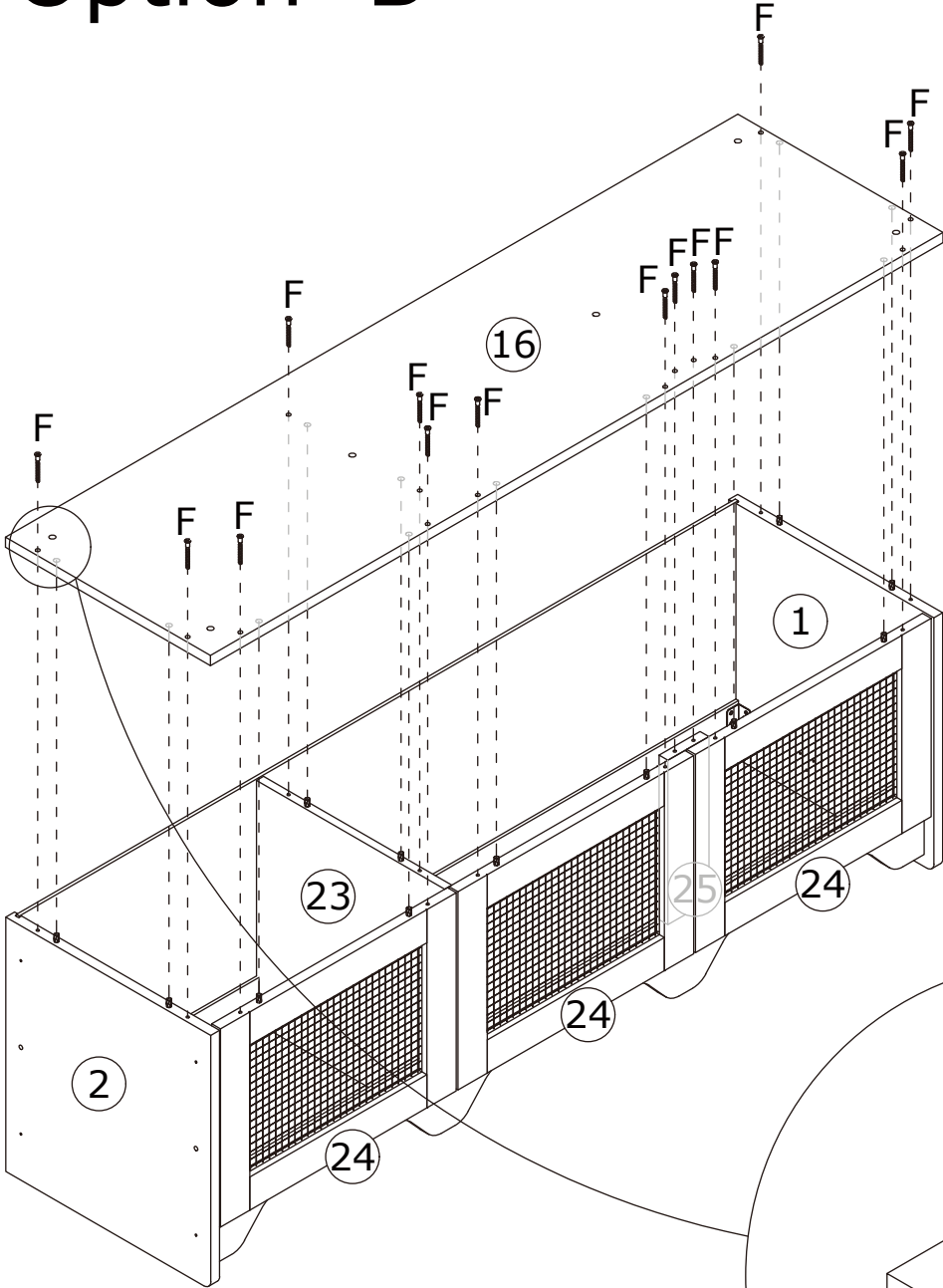


Insert wooden dowel (D) into panels 1, 2, 23 and 24.

58



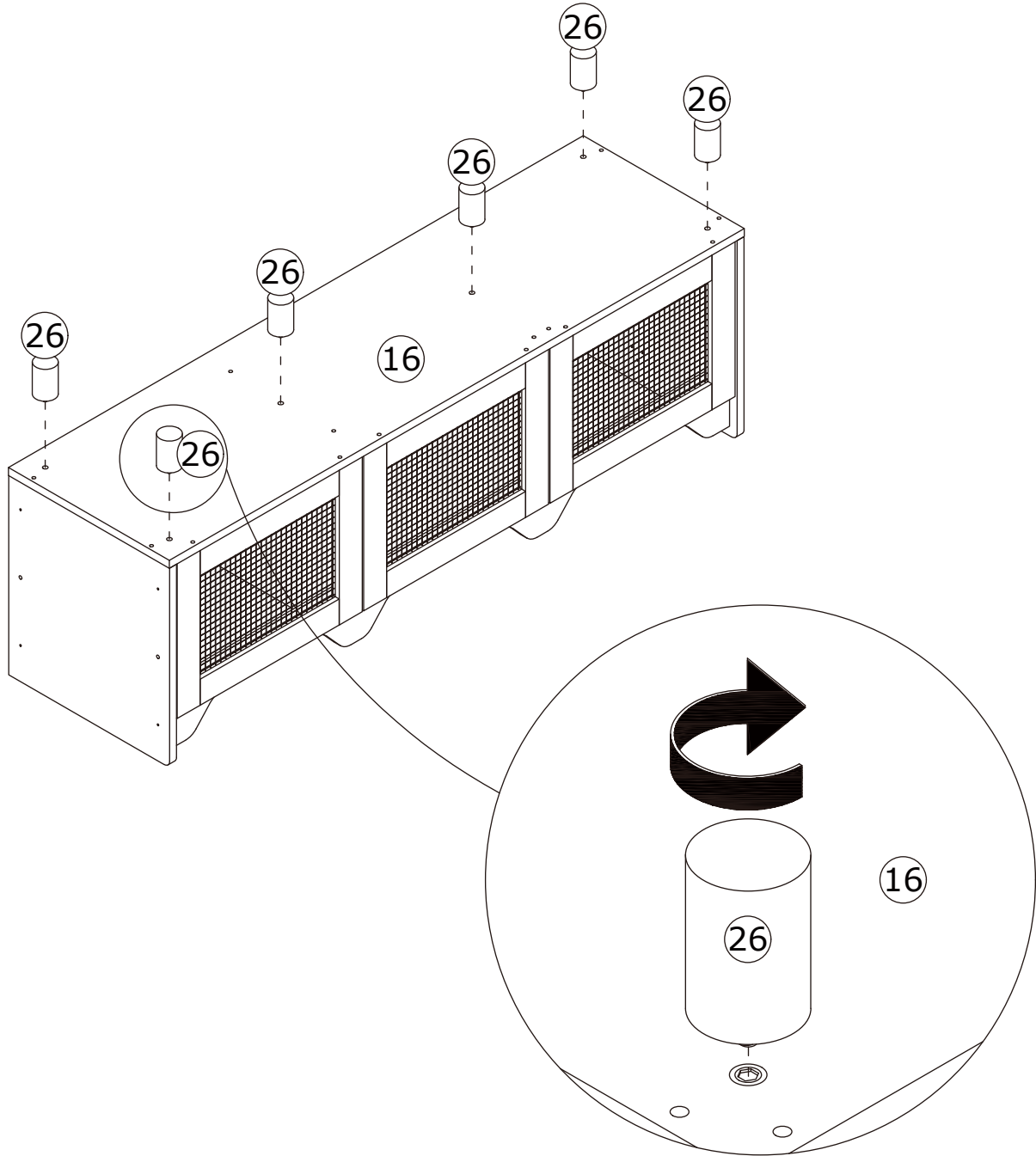
Option B



Secure panel 16 to the mounting unit using screw (F).

59

Option B



Attach leg 26 into panel 16.

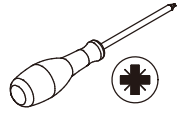
60

B x 4
CRA0635B

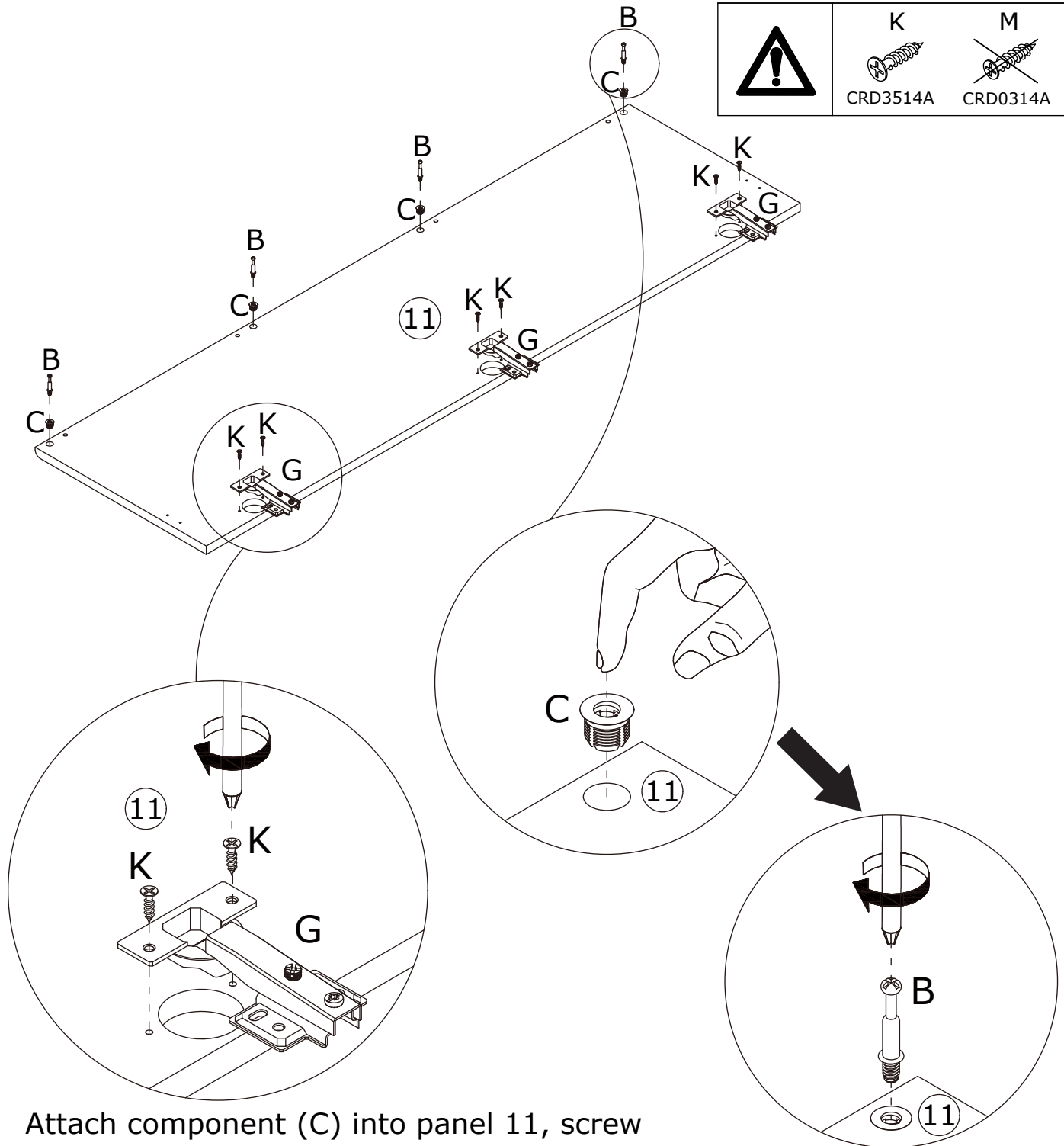
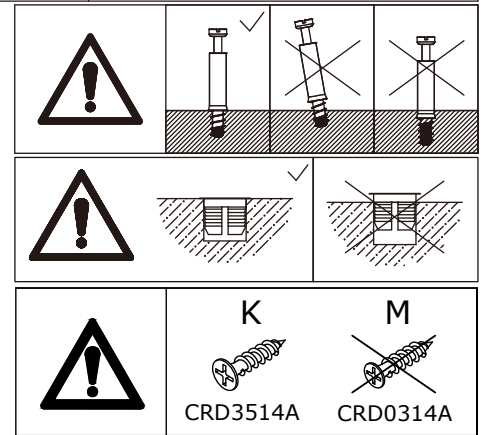
C x 4

G x 3
DGA861A

K x 6
CRD3514A



Option B



Attach component (C) into panel 11, screw self-tapping rod (B) into, and secure hinge (G) to panel 11 using screw (K).

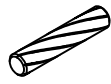
61

A x 4

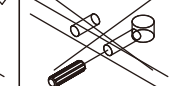
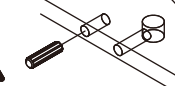
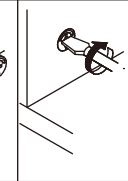
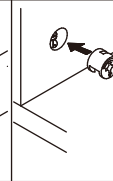
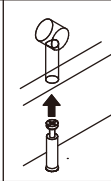
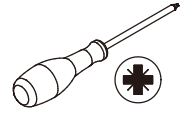


CRB1595A

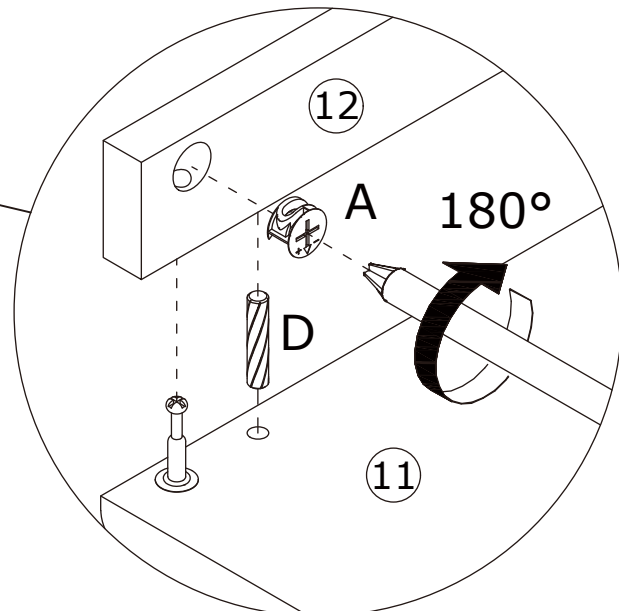
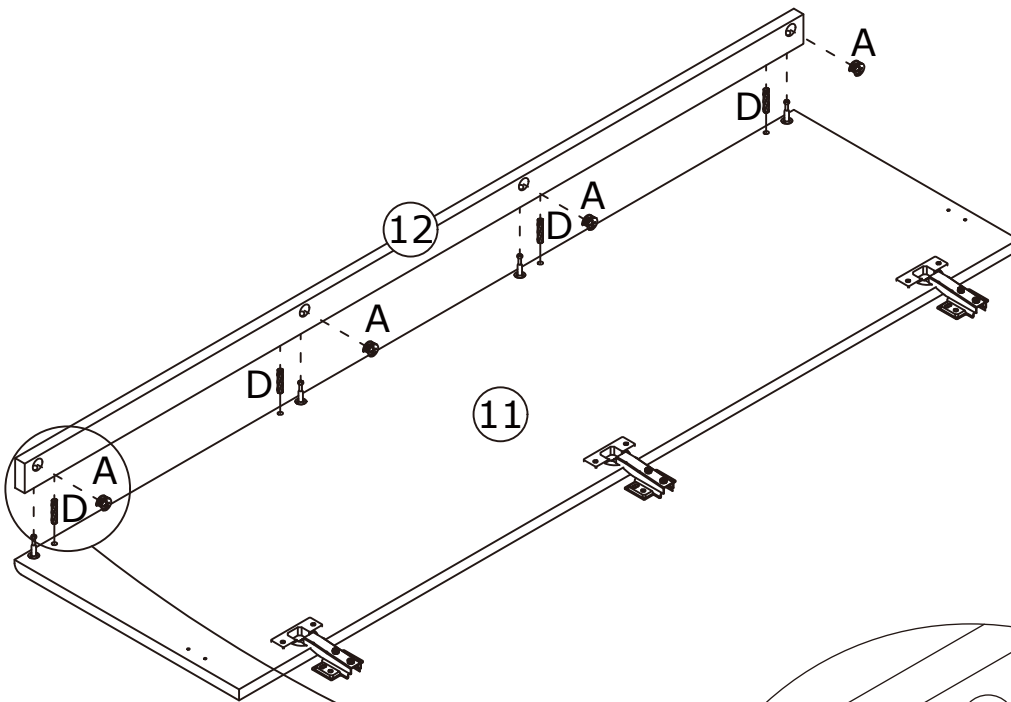
D x 4



CRF0630A

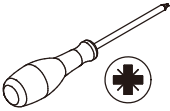


Connect panel 12 to panel 11 using wooden dowel (D), then attach the eccentric wheel (A) and tighten it by turning clockwise.



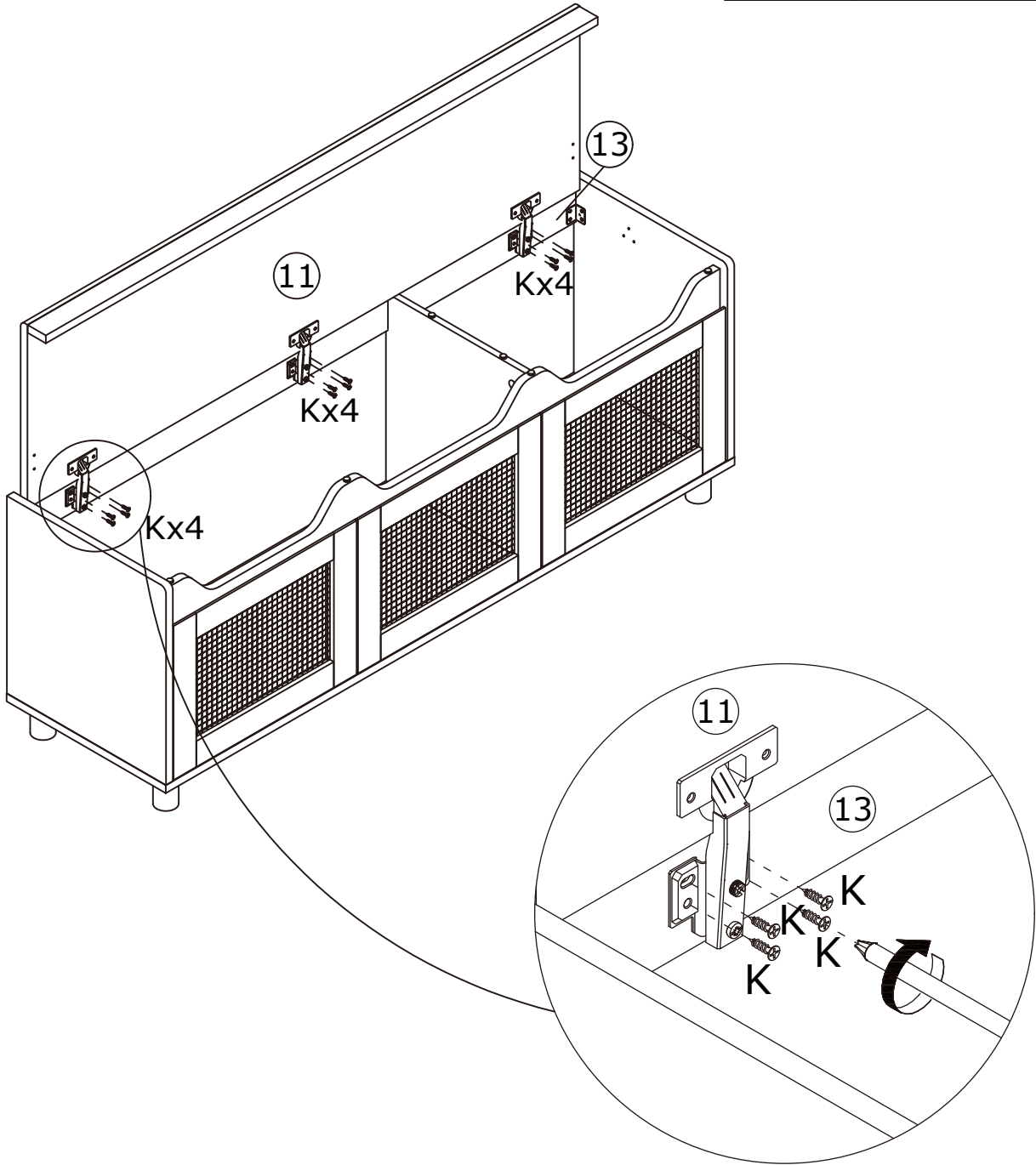
62

K x 12
CRD3514A



Option B

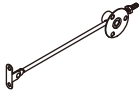
	<p>K CRD3514A</p>	<p>M CRD0314A</p>
--	-----------------------	----------------------------------



Connect panel 11 to panel 13 using screw (K).

63

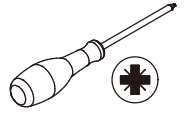
H x 2



K x 10



CRD3514A

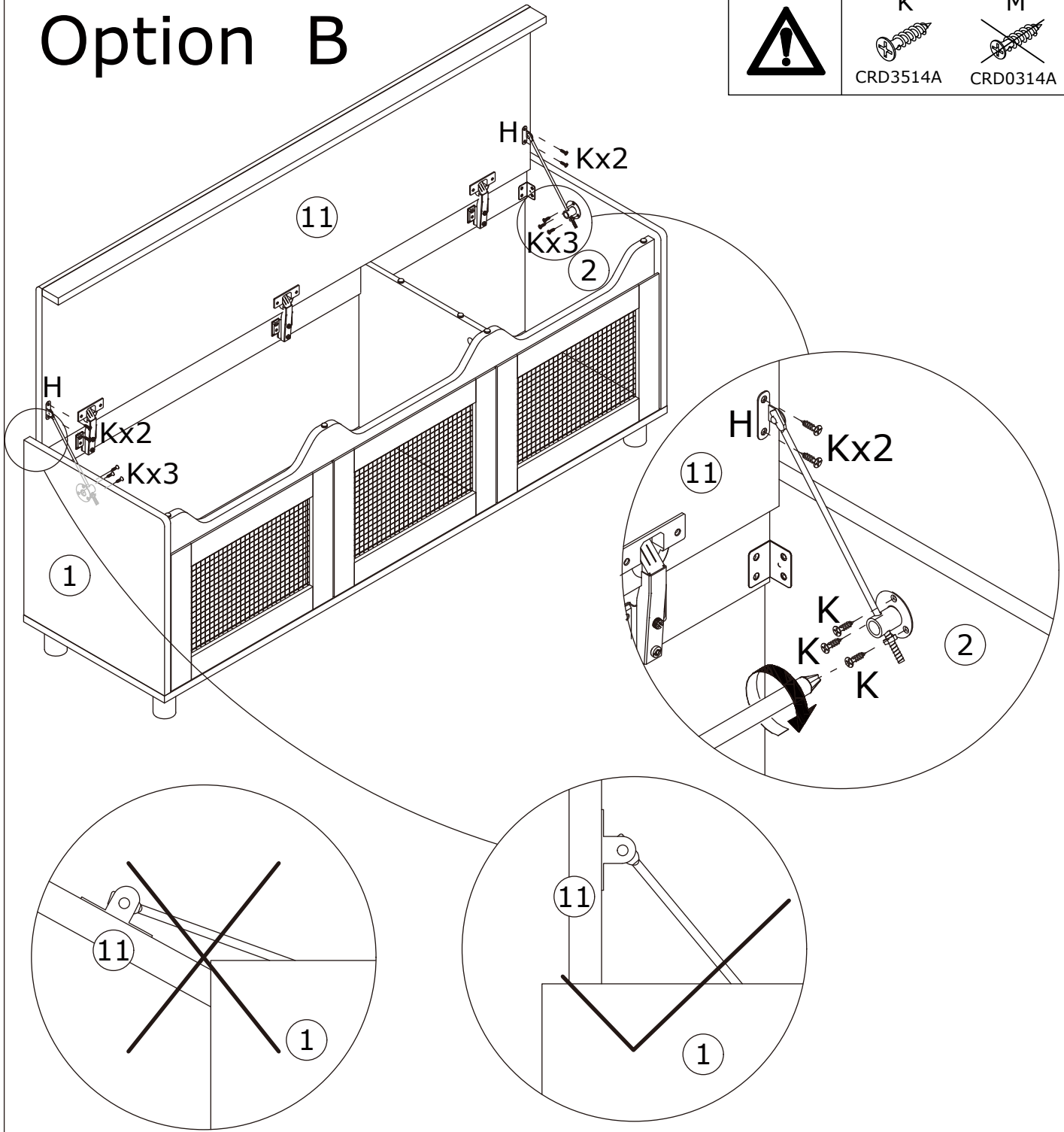


Option B



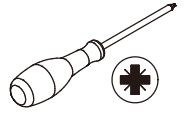
~~K~~
CRD3514A

~~M~~
CRD0314A

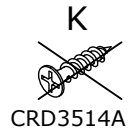


Secure component (H) to panels 1, 2, and 11 using screw (K).

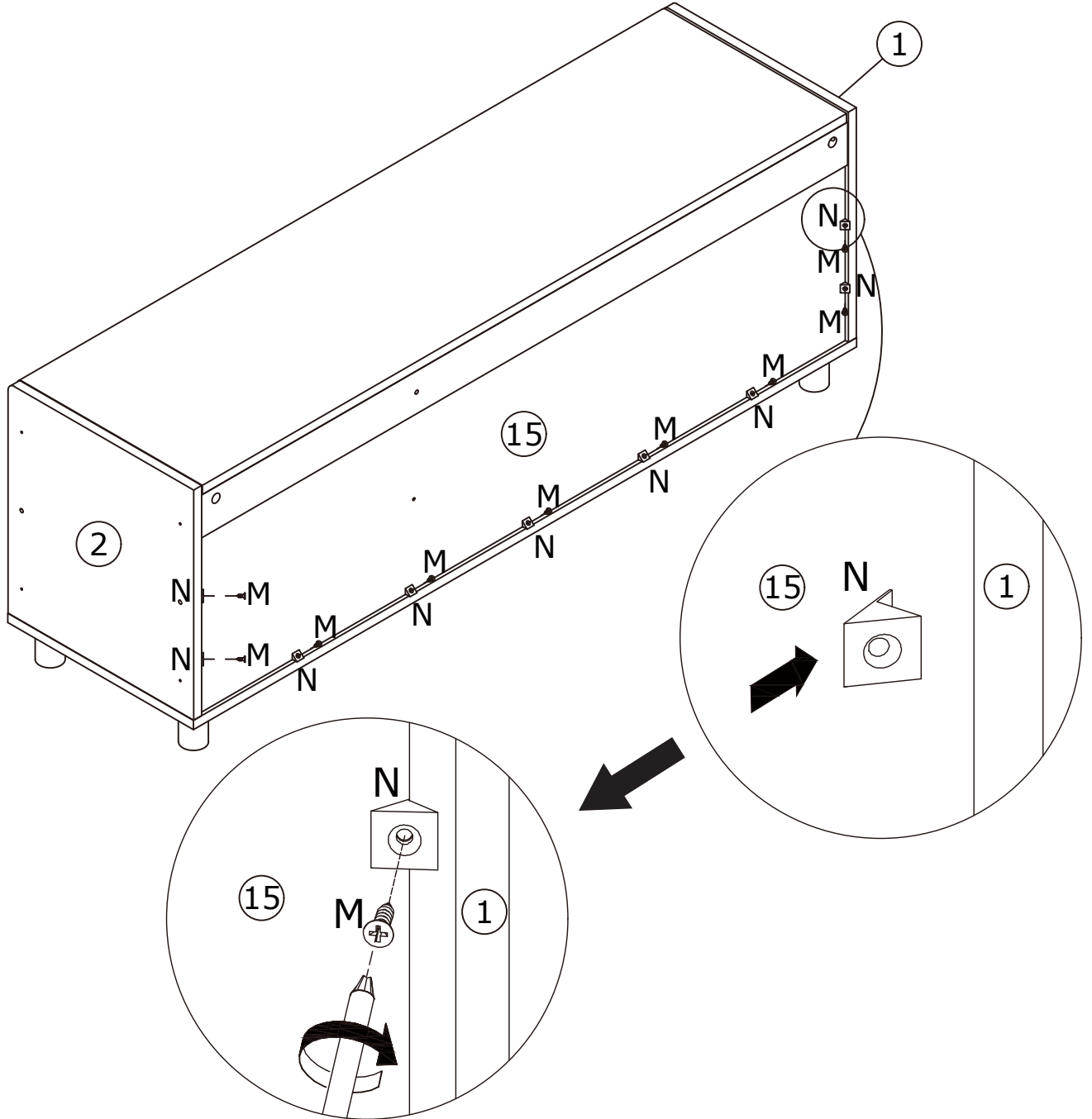
64



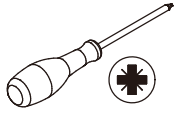
Option B



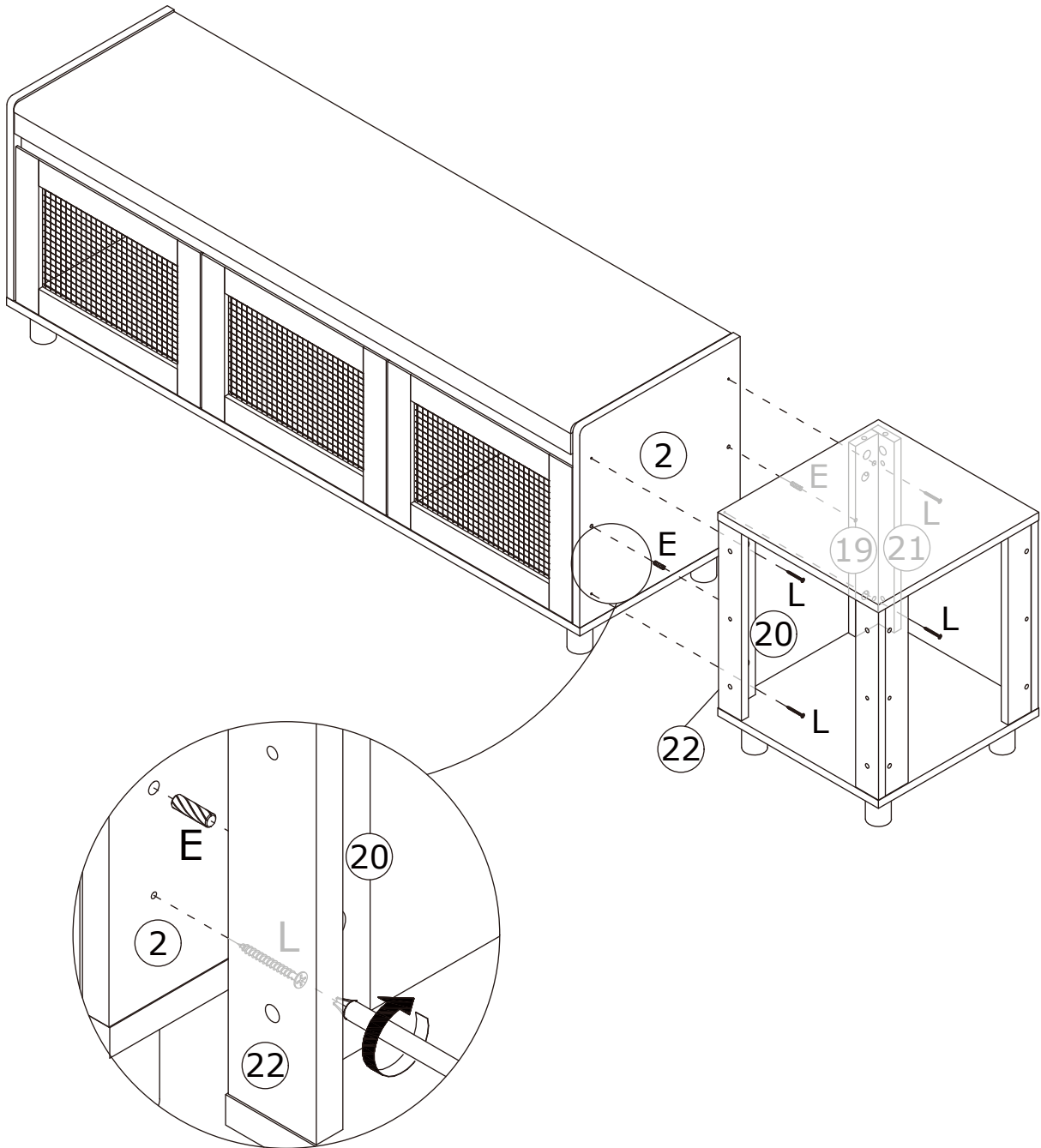
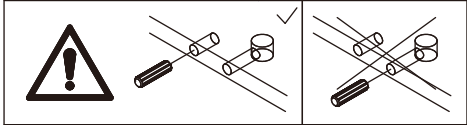
Insert buckle (N) into back slots and secure using screw (M).



65



Option B

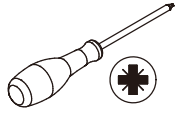


Connect panel 2 to panels 19 and 20 using wooden dowel (E), and secure using screw (L).

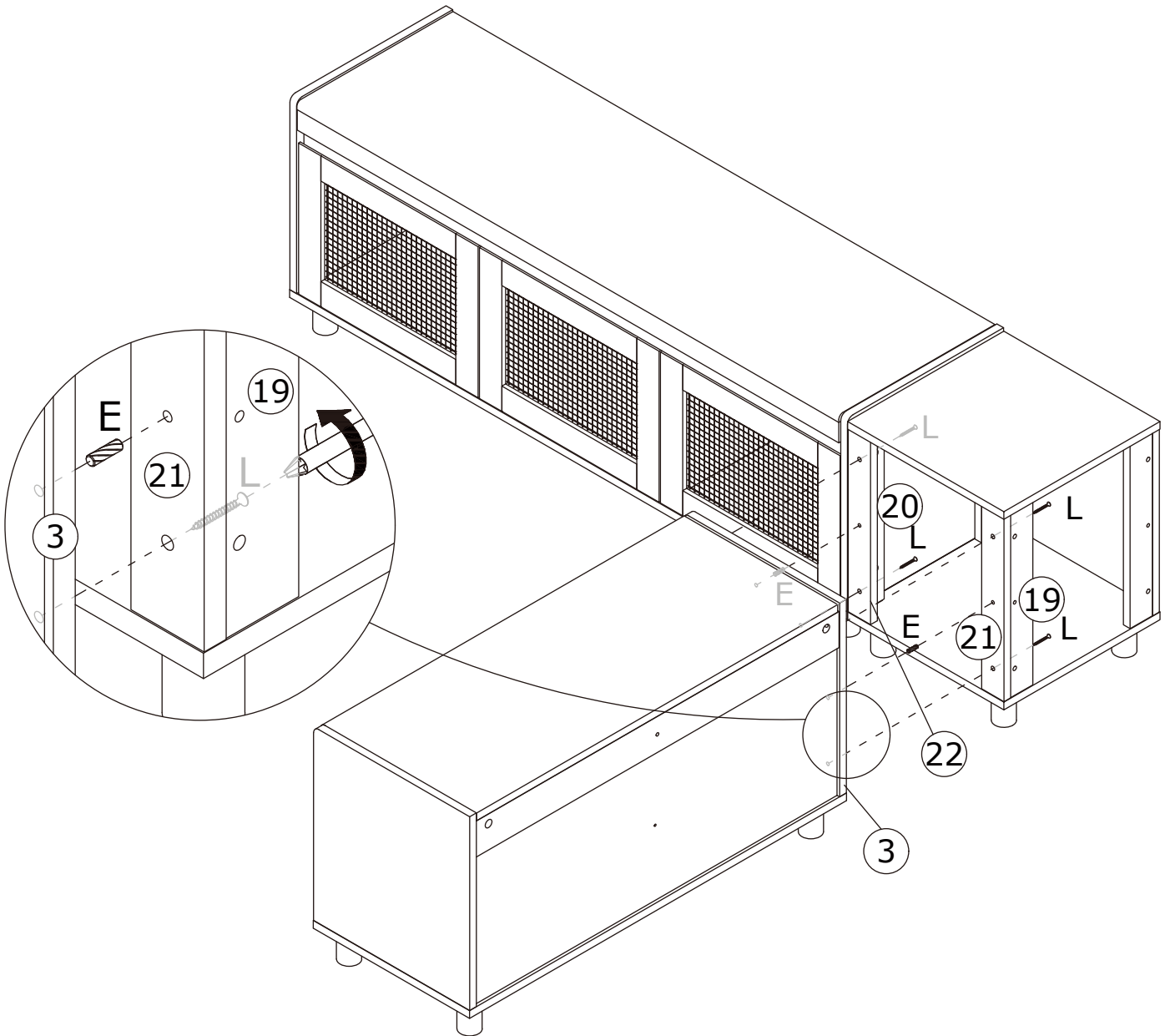
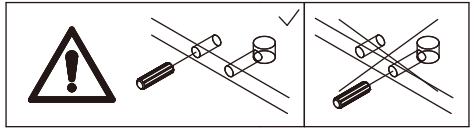
66

E x 2
CRF0620A

L x 4
CRD3525A



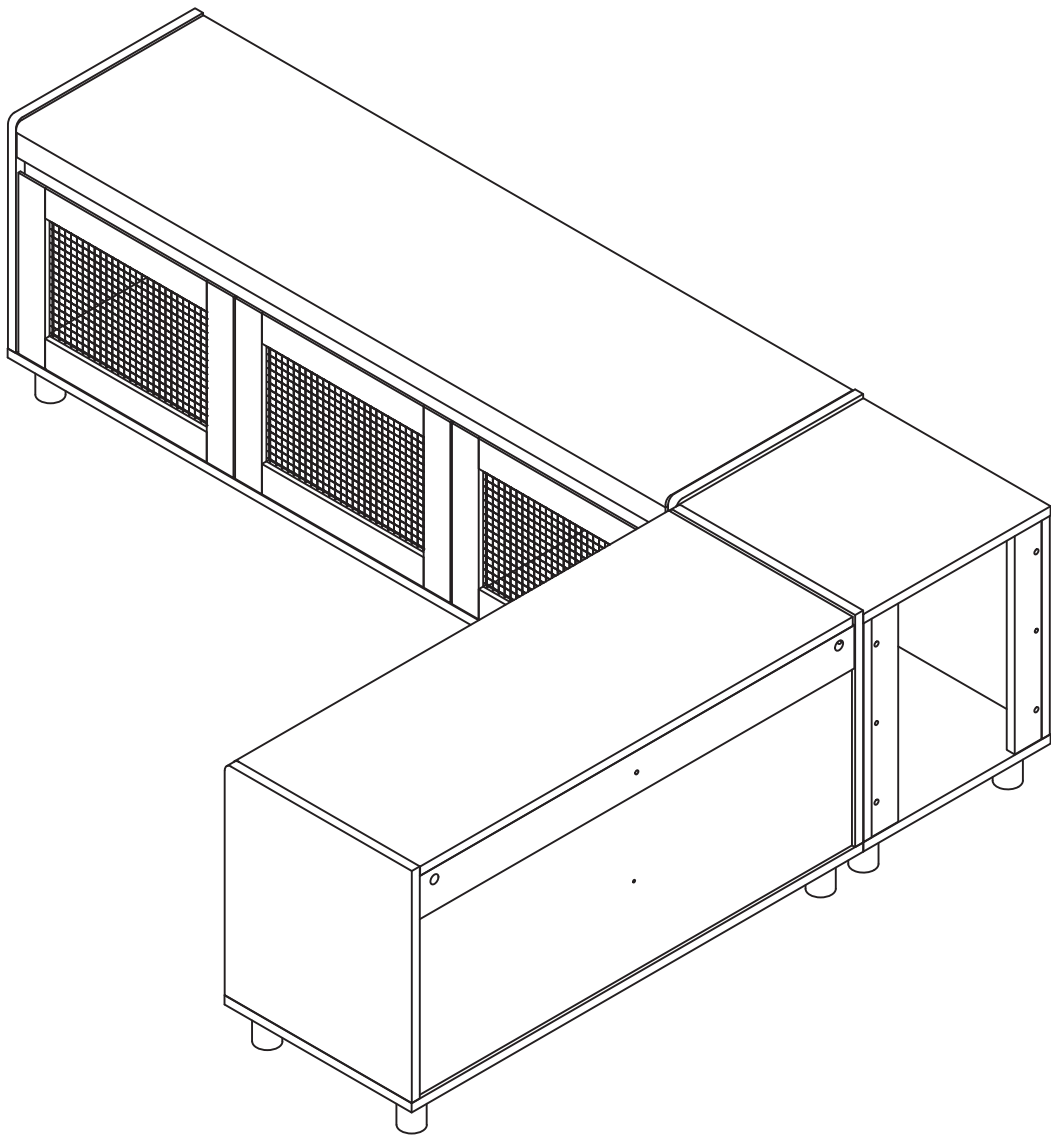
Option B



Connect panel 3 to panels 21, and 22 using wooden dowel (E), and secure using screw (L).

67

Option B



WARRANTY

WARRANTY CLAIMS

- There is a 30-day warranty for broken furniture or any other problems that do not work properly. The warranty will start from the date of purchase which must be verified by proof of purchase.
- Before making a claim, we may be able to answer your query, simply call us. Please leave your purchase order number, along with some details of the problem, if you want a replacement part. We will arrange within 48 hours. If there is out of stock, we will reply with a shipping date.
- The product must be used in accordance with the instructions provided. For health reasons.
- For other reasons, if the furniture needs to be returned, it must be cleaned and dried and operated within 30 days of receipt.

Type of Warranty Claim

- Failure to follow the furniture instructions will invalidate the warranty. Attention please.
- Does not include damage during installation, but includes damage during transportation.

Scope of responsibility

- Shall not bear any responsibility for misuse or user damage and / or loss of parts during the installation of furniture.
- After using, the damage and scratches of the furniture are not covered by the warranty.

The Warranty Relates to All Bought in The Us and Covers The Following Areas

- Sheet parts: 1 month from the date of purchase.
- Electrical parts: 1 month from the date of purchase.

RETURNS

CHANGED YOUR MIND AND NEED TO RETURN YOU ITEM?

PLEASE FOLLOW THE BELOW INSTRUCTIONS:

- If you have purchased and have simply changed your mind, follow the retailer's instructions for returns.

DEFECTIVE ITEMS

- If your item is defective in any way, i.e. it doesn't work but you can't identify why, in the first instance, please call us.

DAMAGED ITEMS

- If you receive an order with obvious shipping damage from the retailer, then we suggest the delivery is refused. If the delivery has been accepted and then shipping damage is found, please follow the specific instructions advised by the retailer.
In all circumstances please save all packaging material and paperwork for the order. Please be aware that if you dispose of packaging material or attempt to return the merchandise without contacting the fulfiller, you jeopardise your chances of making a claim, and you may not receive a credit for the return.

AFTER-SALES CONTACT



adelahu@fufugaga.com



208-820-0068