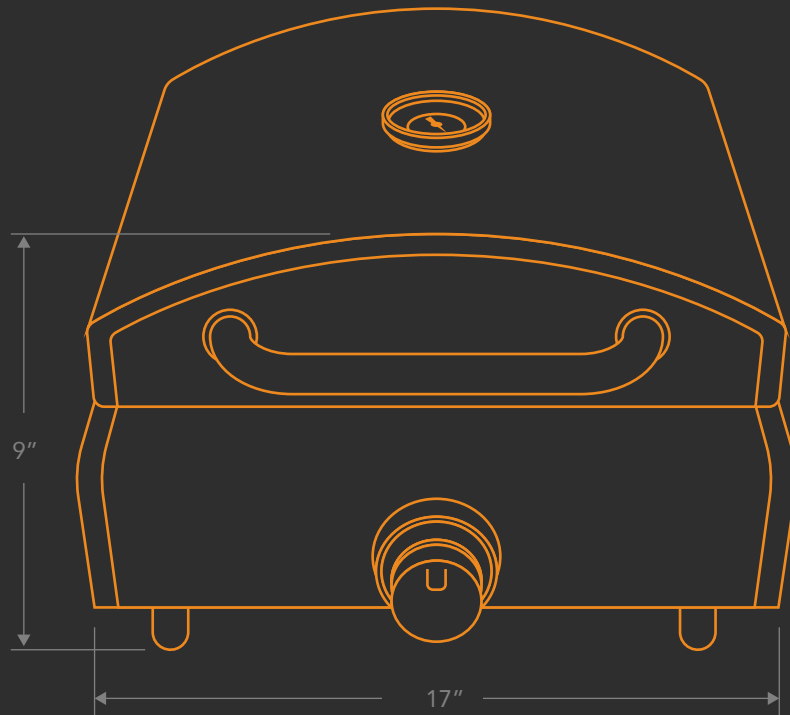


3-IN-1

PRODUCT SPECIFICATIONS



TRIO DIMENSIONS

Depth: 19"
Width: 17"
Height: 9"

MATERIALS

Grill is manufactured using 304 Stainless steel
The griddle plate is heavy duty cast iron
The pizza stone is Cordierite

