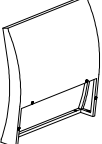

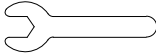



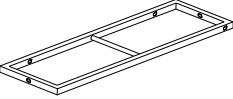
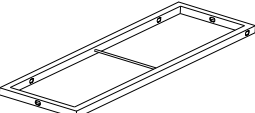
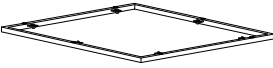
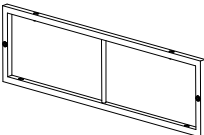
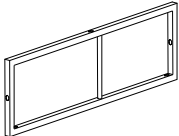








ASSEMBLY INSTRUCTIONS

I		1		1
		10	 M8	1
J		2	 63*63*8CM	2
		2	 37*66*10CM	2
D		2		
H		2		
N		1		
L		2		
M		2		
O		1		
U		12		
V	 M6*35	30		
X		30		
Y		12		
Z	 M8	24		

Notice:

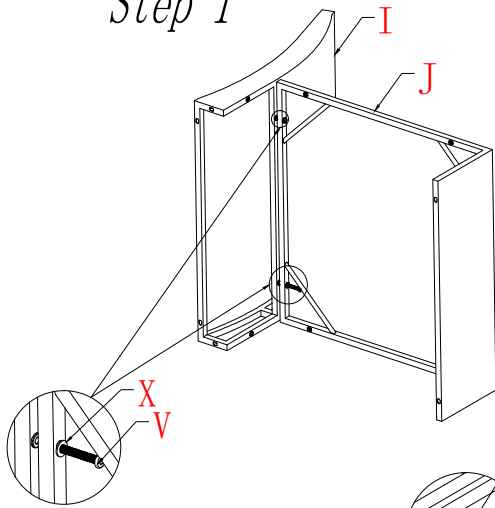
1. Remove the sponge from the cushion when washing.
2. Hand wash only. The washing machine and brush harm the fabric.



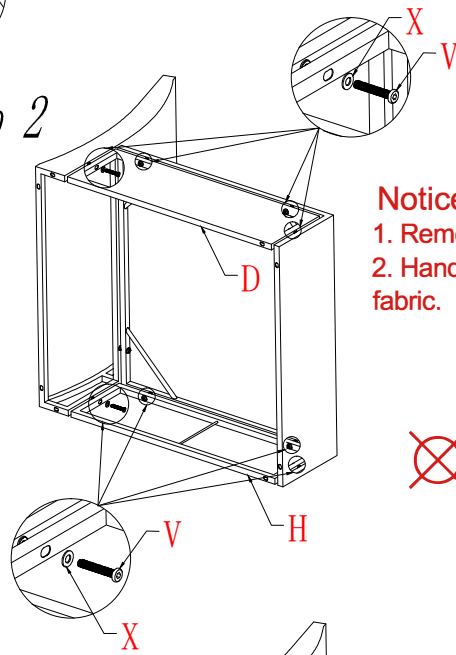
For successful installation, When installation, please do not tighten the screws once, when the screws are all installed, a unified tighten all the screws.

ASSEMBLY INSTRUCTIONS

Step 1



Step 2

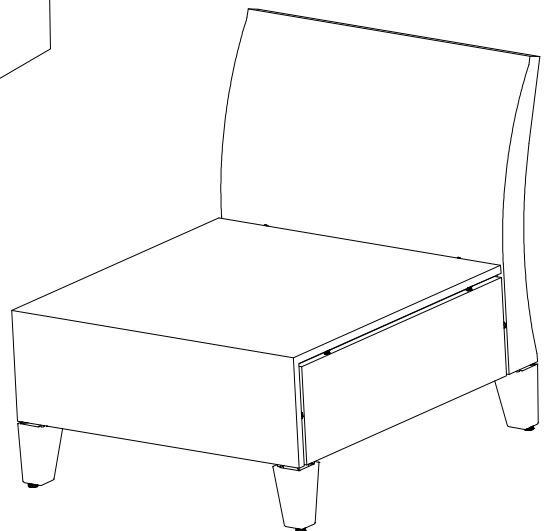
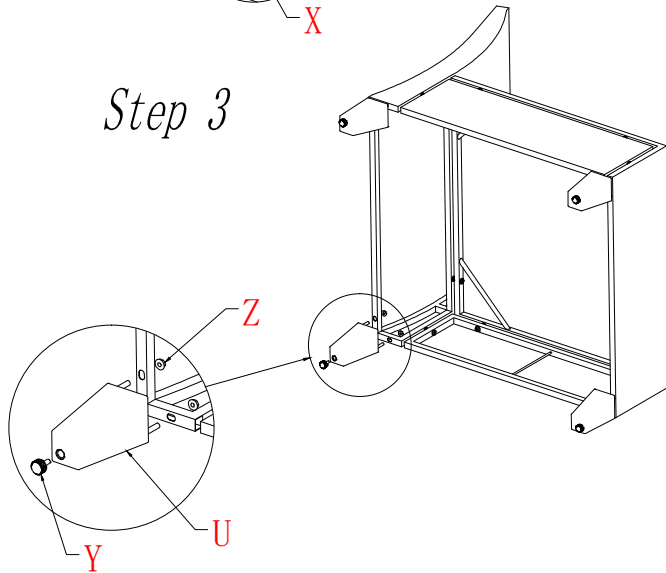


Notice:

1. Remove the sponge from the cushion when washing.
2. Hand wash only. The washing machine and brush harm the fabric.

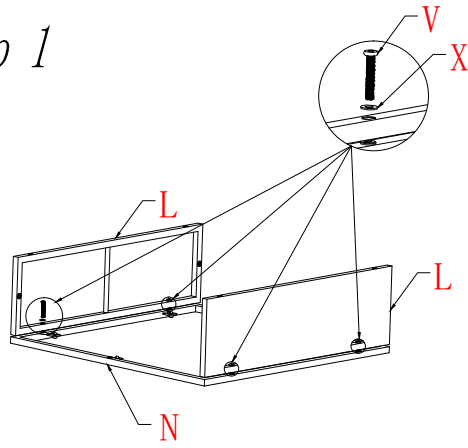


Step 3

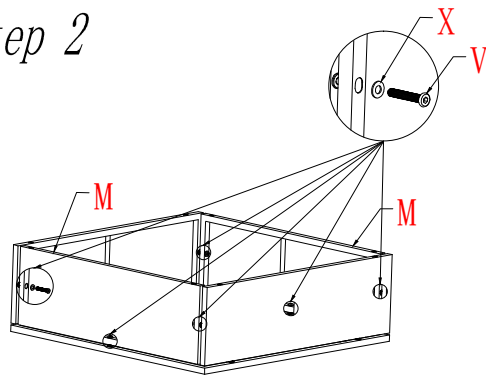


ASSEMBLY INSTRUCTIONS

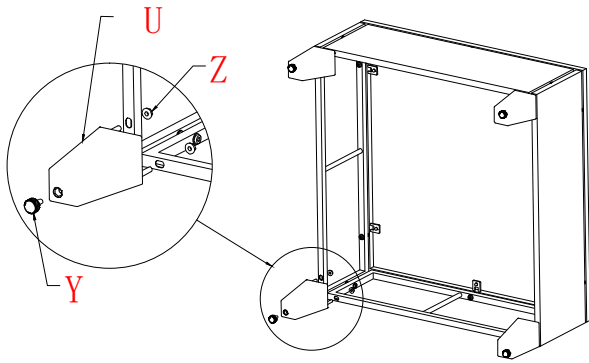
Step 1



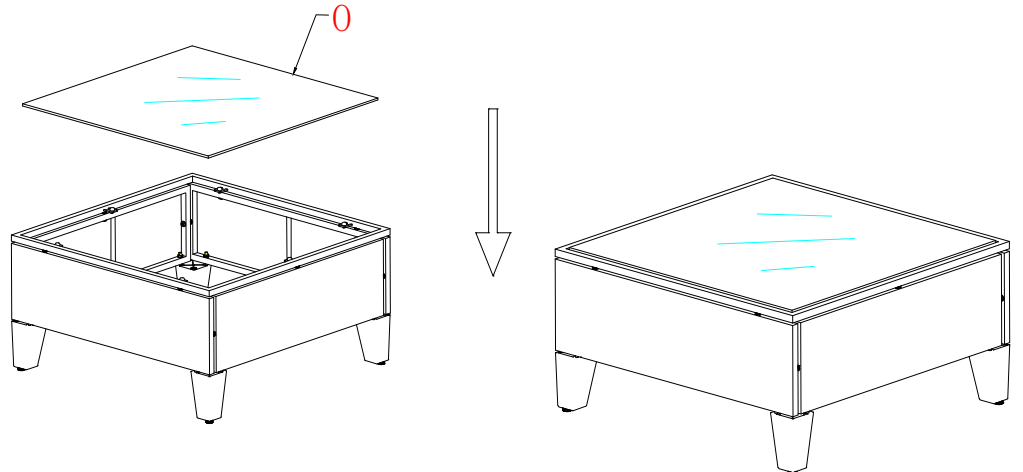
Step 2



Step 3



Step 4



1

The cushion can be fastened to the rattan with the effective horn button.



2

Open the rattan and fasten the horn button to a chosen position.



3

Attached to a spare tape, the horn button allows the cushion to move freely.



4

Contact us for any further problems concerning the item.

