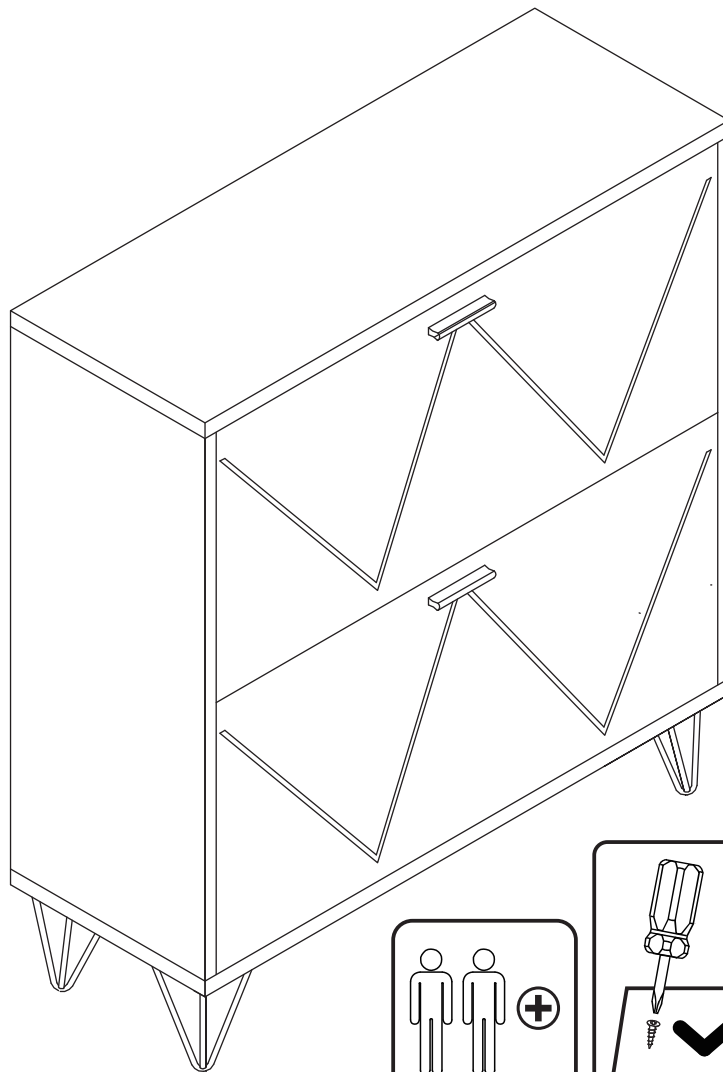


# ASSEMBLY INSTRUCTIONS

Customer Service : [cs@nbrehome.com](mailto:cs@nbrehome.com)



## Tools Recommended

THIS INSTRUCTIONS CONTAINS IMPORTANT SAFETY INFORMATION.  
PLEASE READ BEFORE ASSEMBLY AND KEEP FOR FUTURE REFERENCE.

Need Parts or Assistance? Email us : [cs@nbrehome.com](mailto:cs@nbrehome.com)

# IMPORTANT NOTICE

-This product contains small components, please ensure that they are kept away from small children.

-THIS INSTRUCTIONS CONTAINS IMPORTANT SAFETY INFORMATION.  
PLEASE READ BEFORE ASSEMBLY AND KEEP FOR FUTURE REFERENCE.

-Read each step carefully. It is very important that each step of instruction is performed in the correct order. If these steps are not followed in sequence, assembly difficulties will occur.

-Make sure all parts are included. Most parts are labelled or stamped on the raw edge.

-Work in spacious area, preferably on a carpet, near the place the unit will be used.

-Do not use power tools to assemble your furniture. Power tools may strip or damage the parts.

-Move your new furniture carefully, with two people lift and carry the unit to it's new location.

-Never push, drag or pull your furniture (especially on carpet)




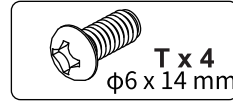
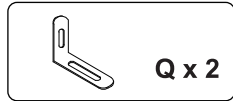
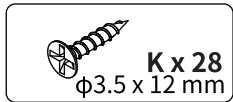
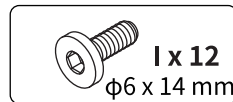
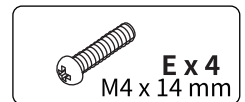
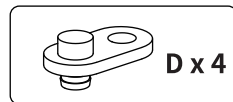
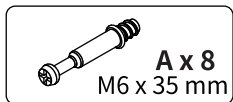
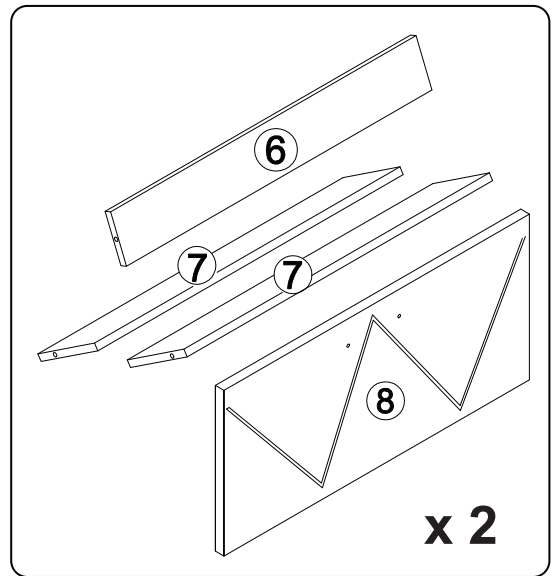
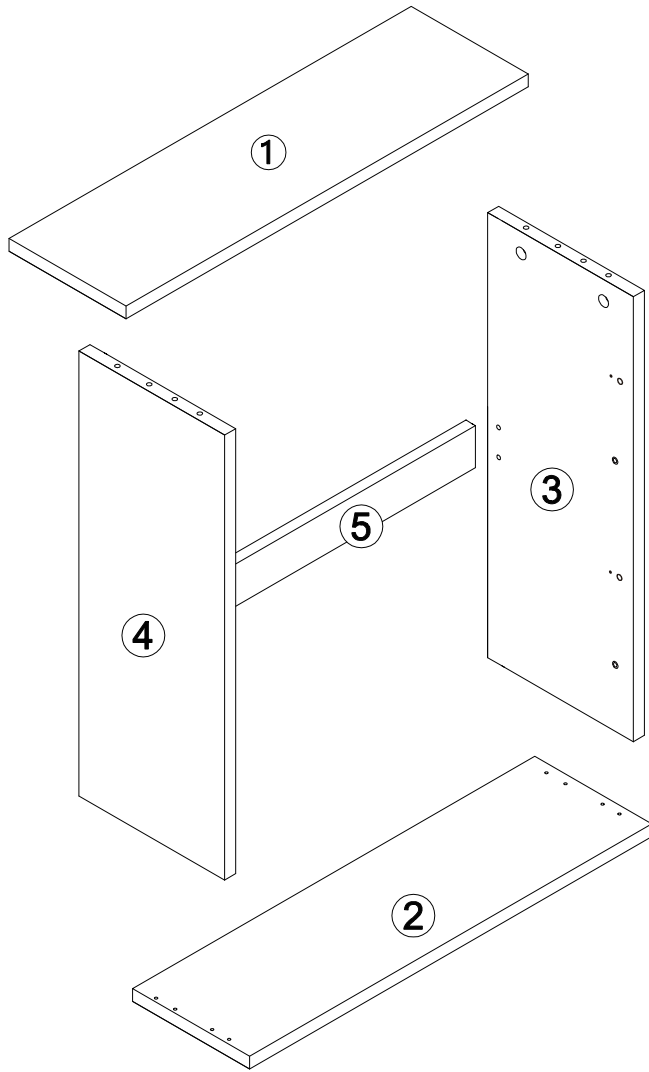
## PLEASE DO NOT RETURN PRODUCT TO US IMMEDIATELY

If a part is missing or damaged, email our customer service.  
We will gladly ship your replacement parts FREE of charge.

Need Parts or Assistance? Email us : [cs@nbrehome.com](mailto:cs@nbrehome.com)

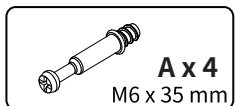
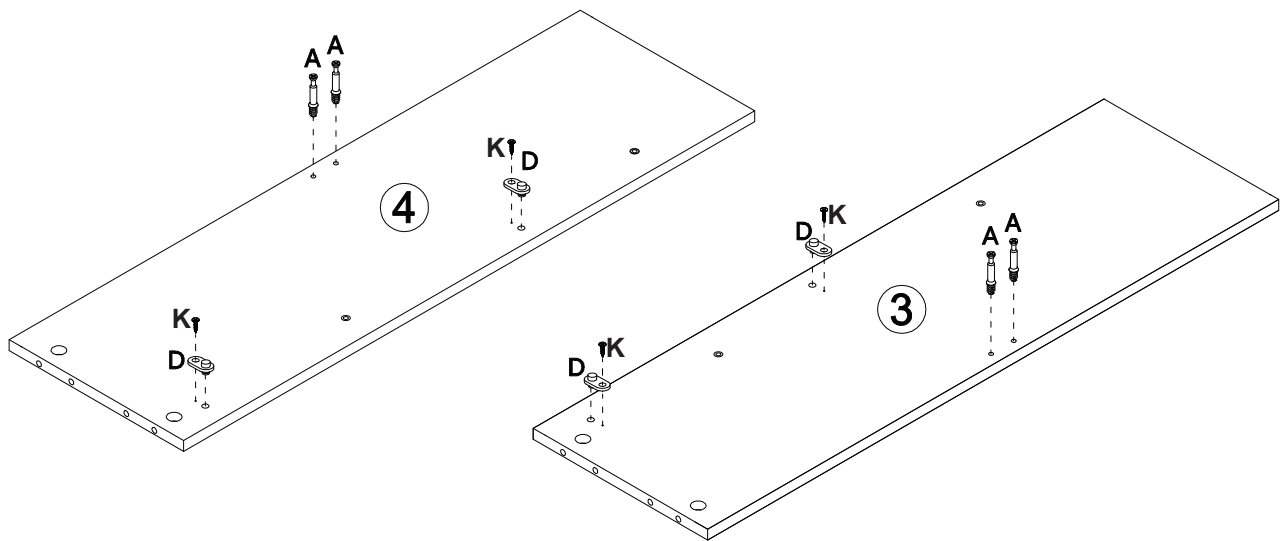
For Prompt, reliable service, please have your assemble instruction ready

 <b>WARNING</b>	
	<b>Children have died from furniture tipover. To reduce the risk of furniture tipover:</b> <ul style="list-style-type: none"><li>• ALWAYS install anti-tip device provided.</li><li>• NEVER put a TV on this product.</li><li>• NEVER allow children to stand, climb or hang on any drawers, doors, or shelves.</li><li>• NEVER open more than one drawer at a time.</li><li>• Place heaviest items in the lowest drawers.</li></ul>
	<p>This is a permanent label. Do not remove!</p>



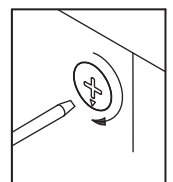
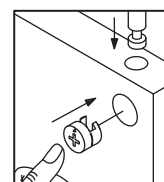
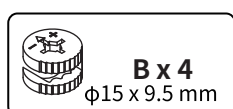
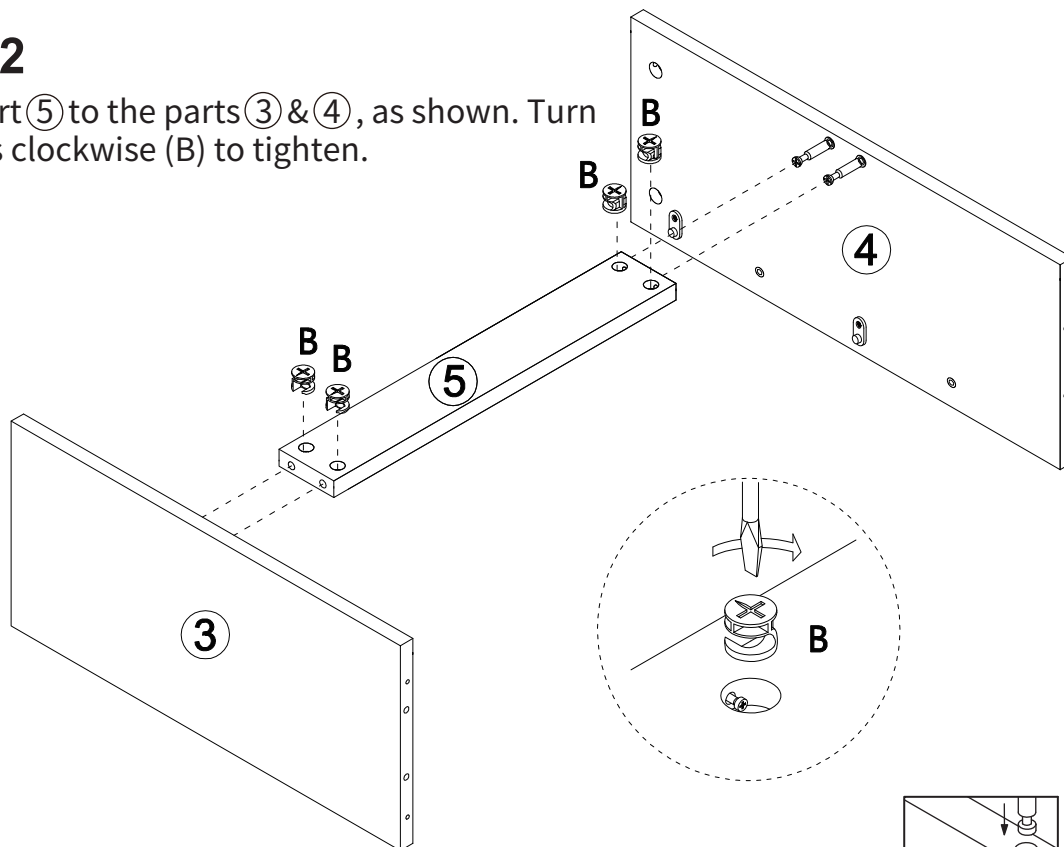
## Step 1

Insert screw (A) to parts ③ & ④, then use a hammer to knock hardware (D) onto parts ③ & ④. Secure hardware (D) to parts ③ & ④ by screw (K), as shown.



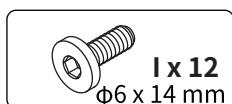
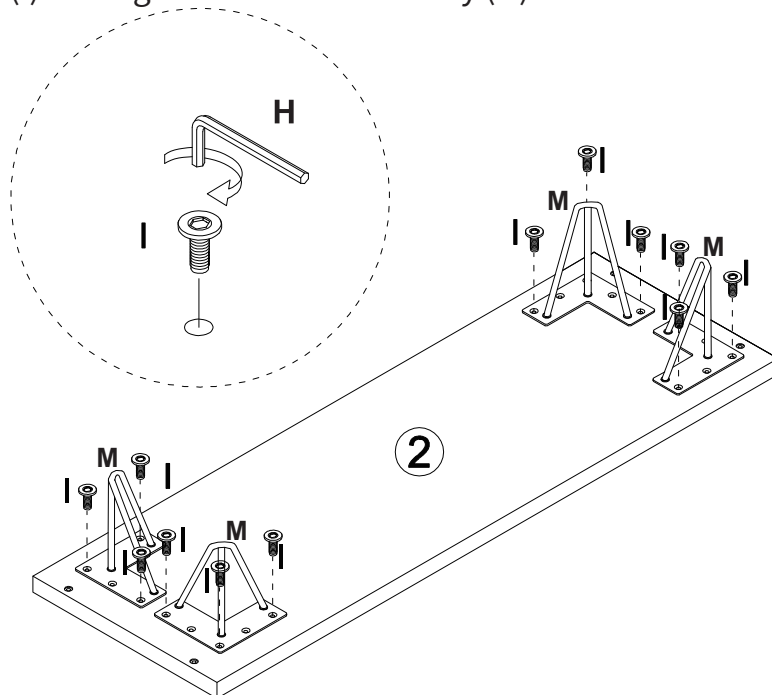
## Step 2

Attach part ⑤ to the parts ③ & ④, as shown. Turn cam locks clockwise (B) to tighten.



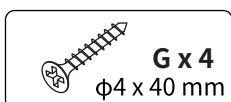
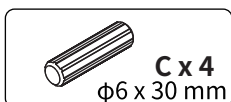
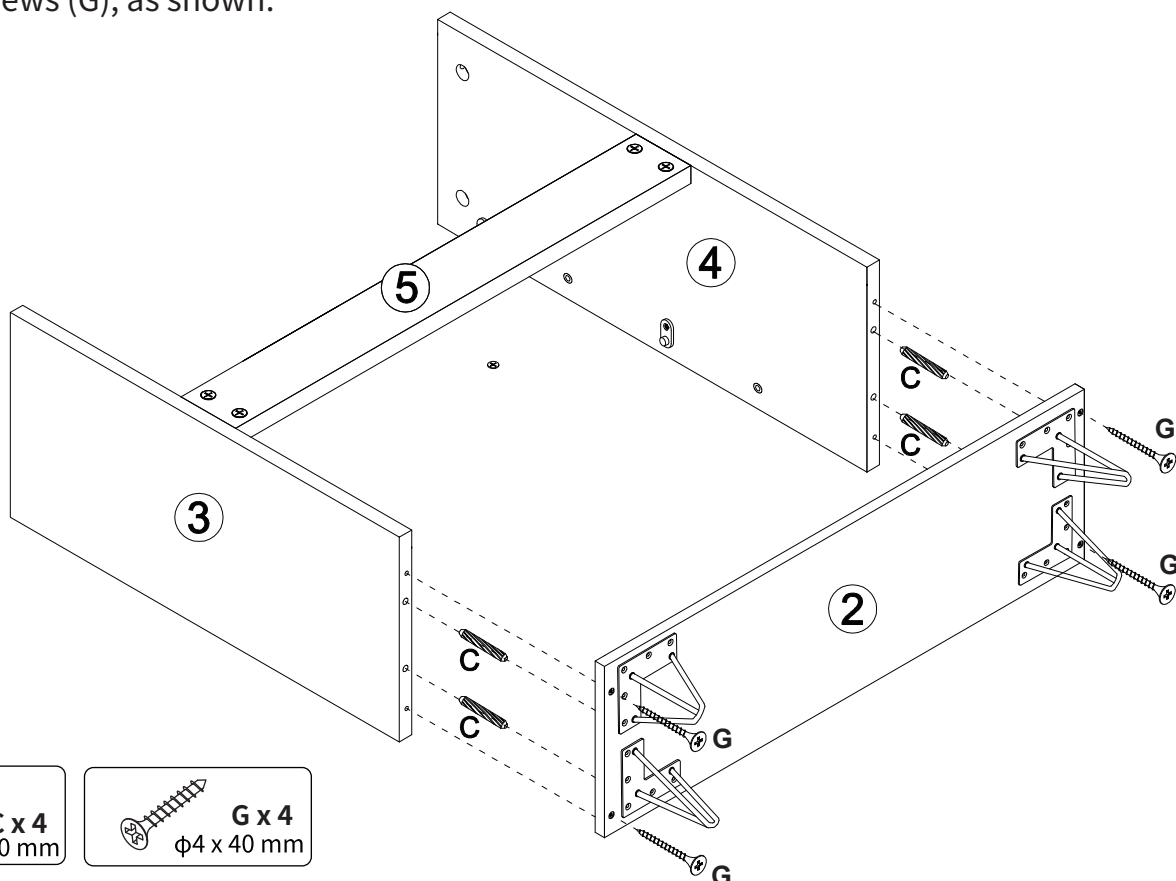
## Step 3

Attach legs (M) to the part ② with bolts (I) and tighten with an allen key (H).



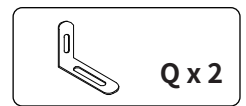
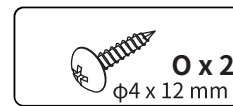
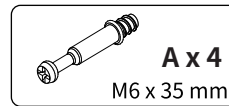
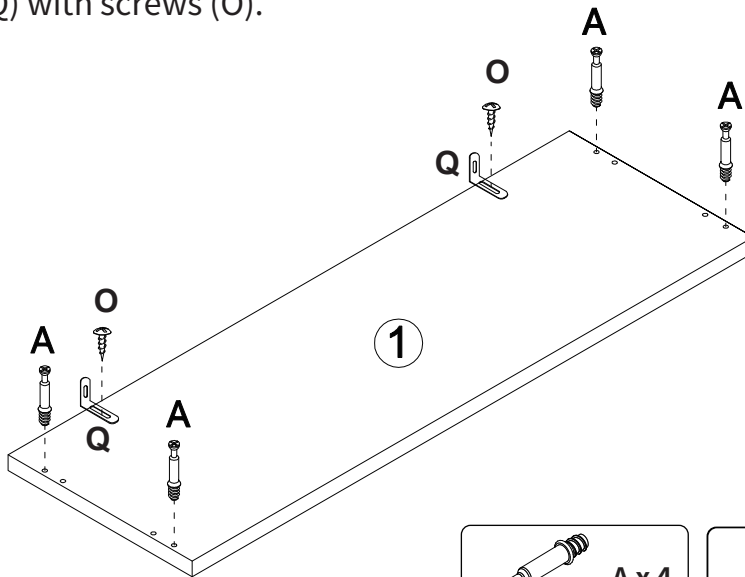
## Step 4

Insert wooden dowels (C) into assembled parts ③ & ④, as shown. Attach part ② to assembled unit using screws (G), as shown.



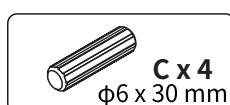
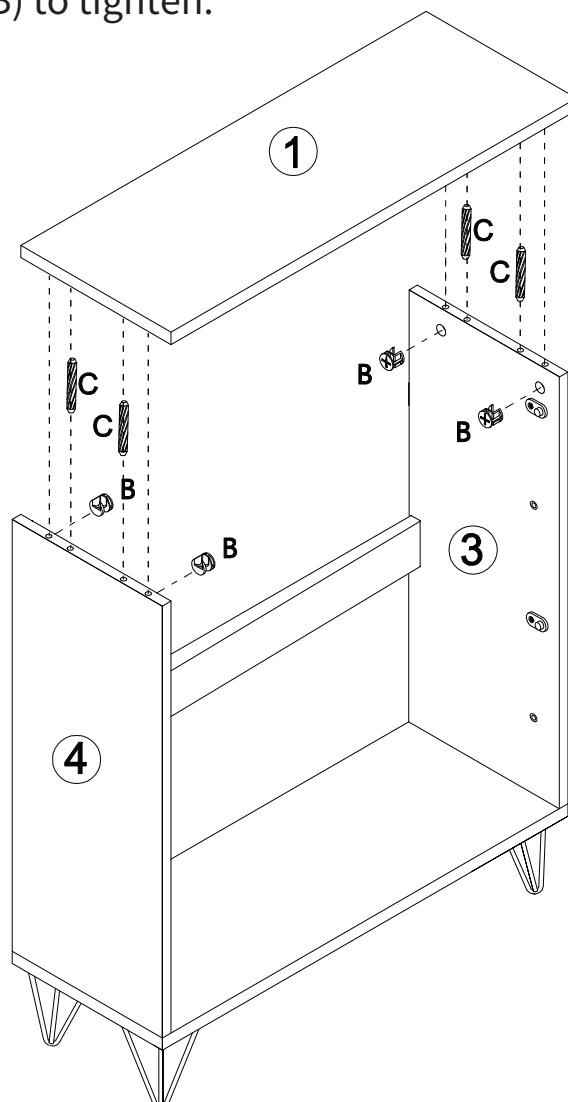
## Step 5

Insert quickfit screws (A) into corresponding holes in part ①, as shown. Fixing Anti-tipping iron sheets (Q) with screws (O).



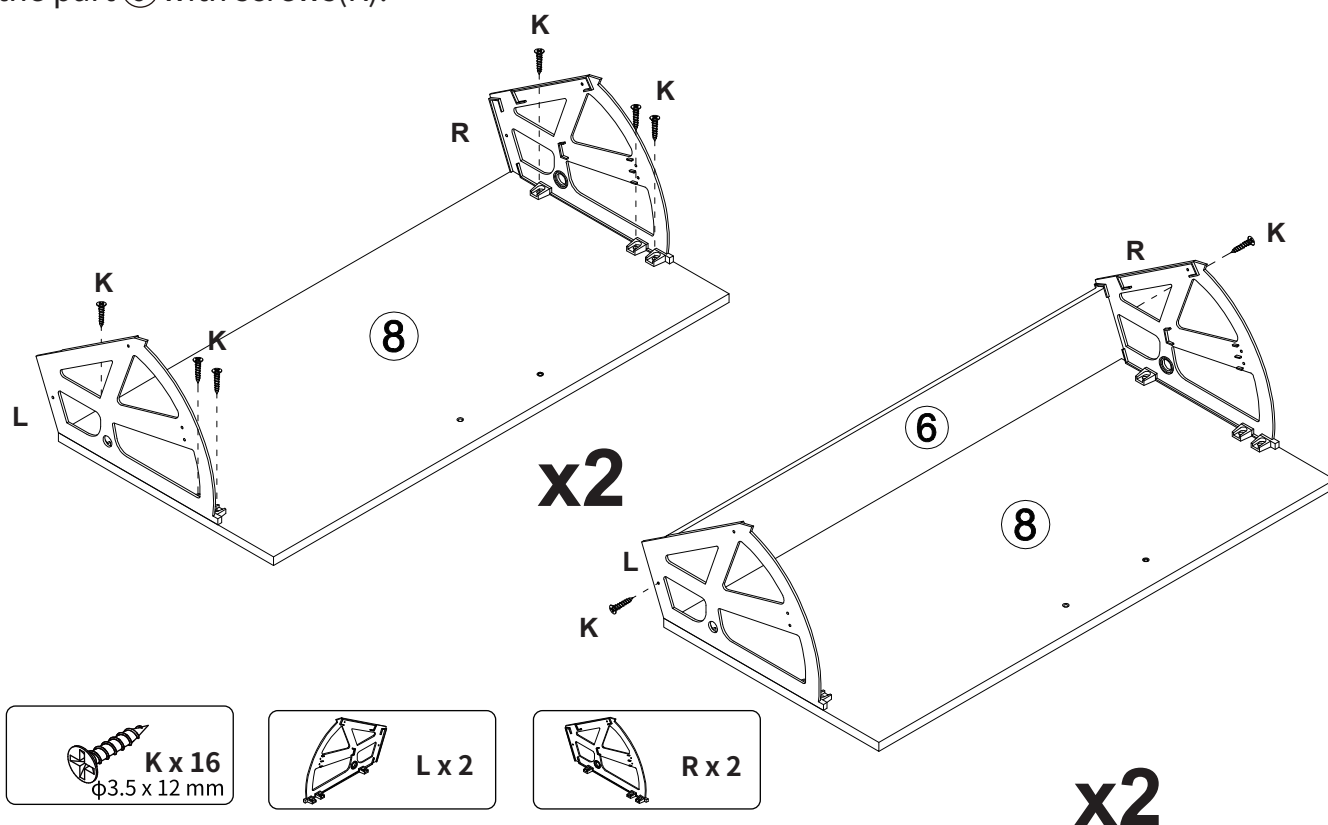
## Step 6

Insert wooden dowels (C) into part ③ and ④, then connect part ① & ③ & ④, as shown. Turn cam locks clockwise (B) to tighten.



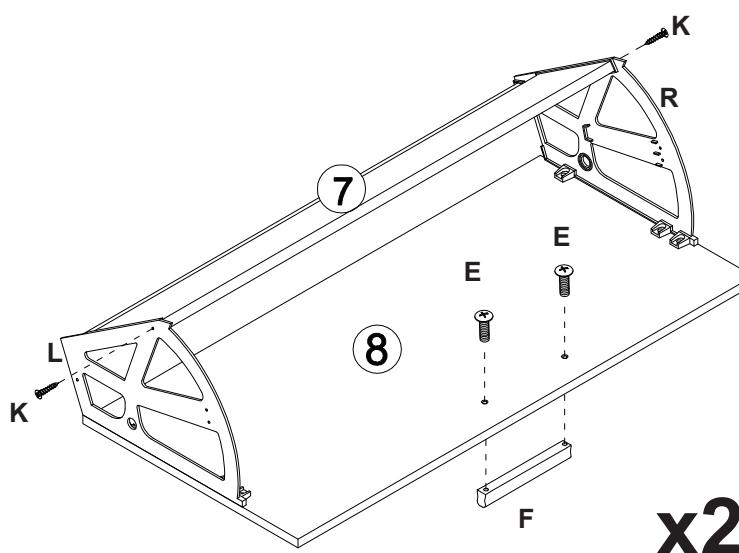
## Step 7

Attach shoe rack sheets (L) & (R) to the part ⑧ with screws (K). Attach shoe rack sheets (L) & (R) to the part ⑥ with screws (K).



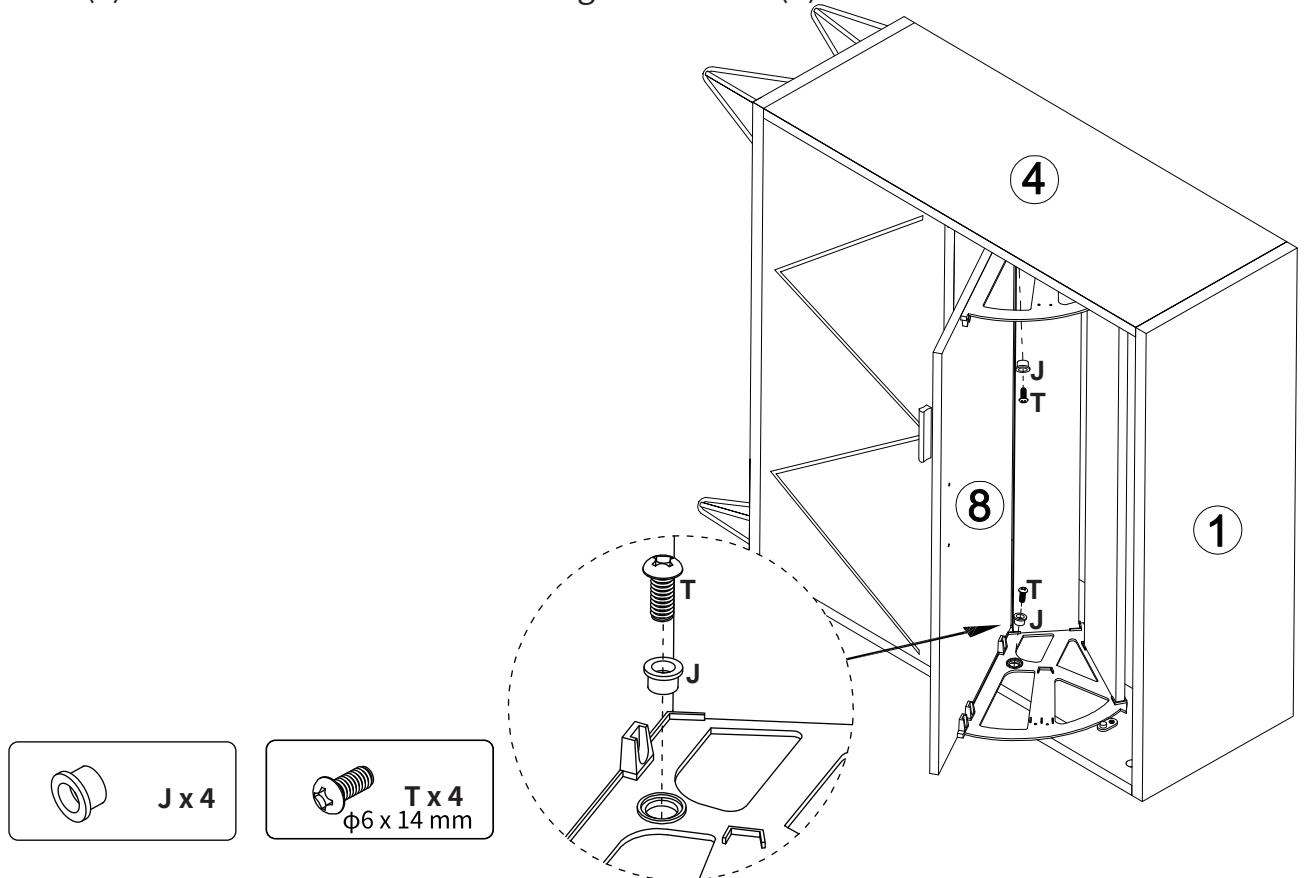
## Step 8

Attach handle (F) to the part ⑧ with bolts (E). Attach shoe rack sheets (L) & (R) to the part ⑦ with screws (K).



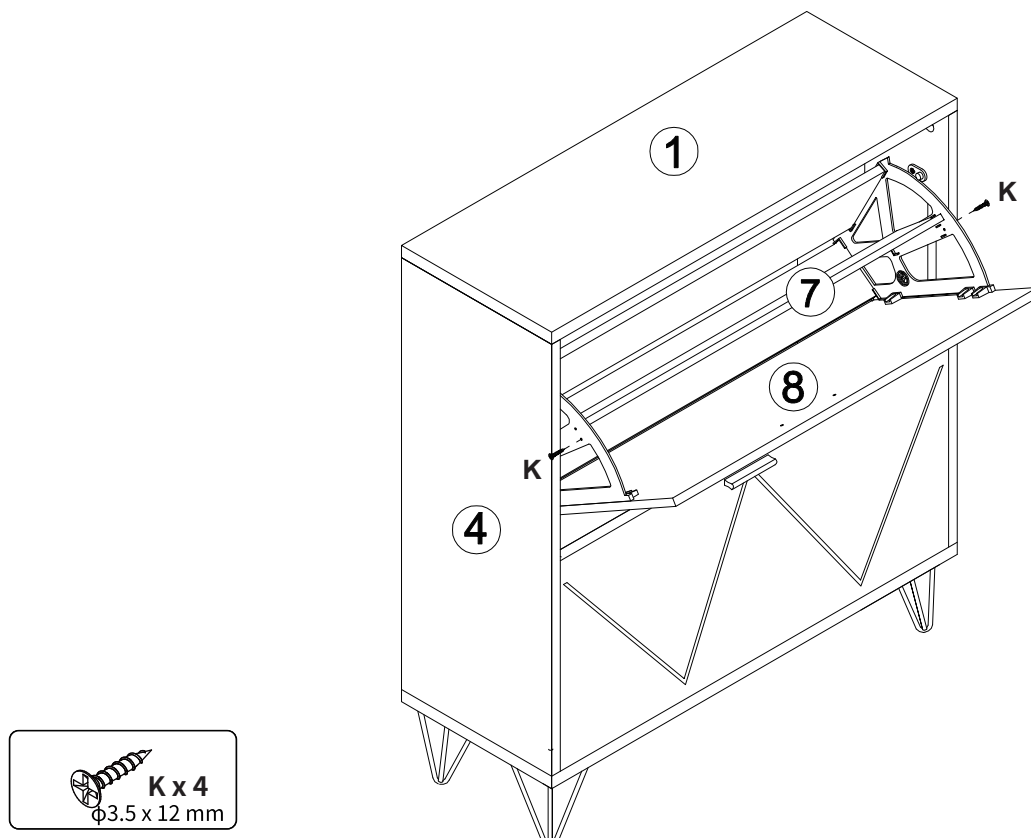
## Step 9

Insert (J) into assembled units and fixing with screws(T).



## Step 10

Insert quickfit screws (K) into corresponding holes in part (7), as shown.



## Step 11

Firstly determine the hole position of the wall, drill holes in the hole position, and insert the expansion scerw (N) into the wall. Secondly, place the shoe cabinet against the wall, and use screw (G) through the gasket to secure the shoe cabinet to the wall. The installation location is as shown in the figure below.

