

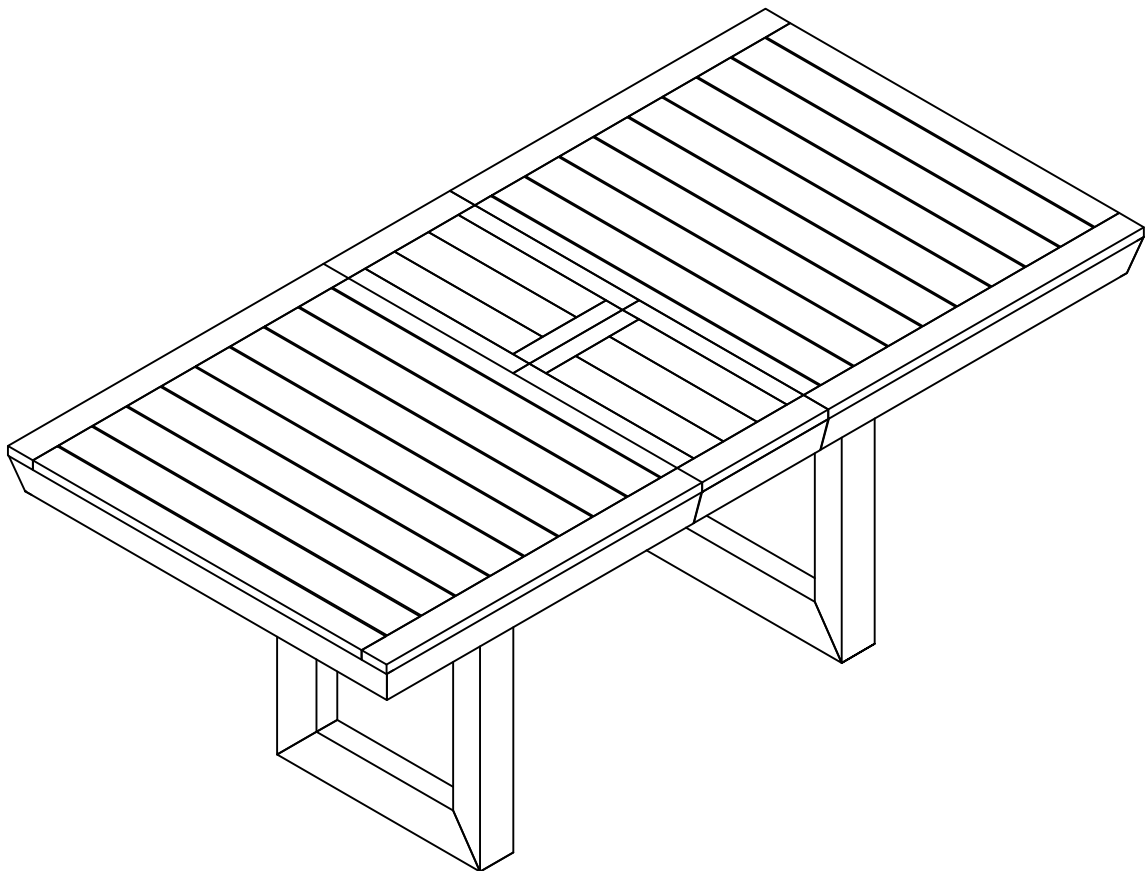
Assembly Instructions

DINING EXTENSION TABLE

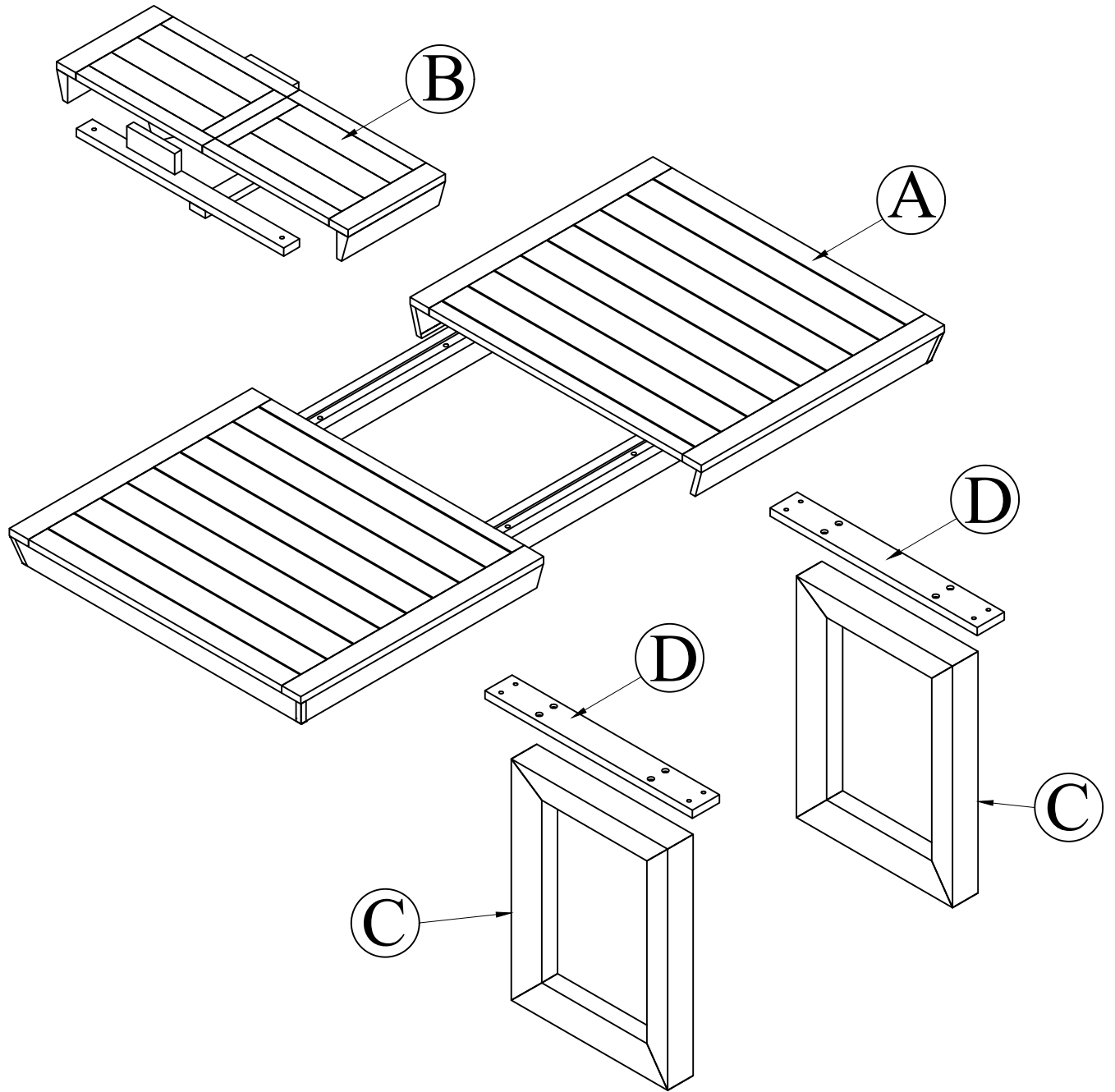
Thank you for purchasing this quality product. Be sure to check all packing materials carefully for small parts, which may have come loose inside the carton during shipment. Identify and count all items and compare with the PARTS LIST and/or HARDWARE LIST shown below.

Caution: Please read the instructions thoroughly before assembly.

1. We recommend that you assemble this product with the assistance of another person; this will make the assembly easier, and will help eliminate damage to the product or injury to persons during assembly.
2. Please do not over tighten screws or bolts until the assembly is completed.
3. Please put all parts on a non-abrasive floor before assembly, and follow the assembly steps to assemble your newly purchased product correctly and efficiently.



Detail View



Assembly Instructions

DINING EXTENSION TABLE



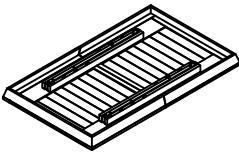
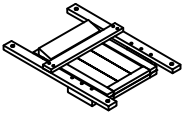
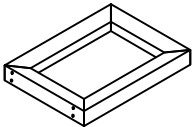
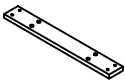
ASSEMBLY TOOLS REQUIRED (NOT INCLUDED)






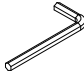
PLEASE BE CAREFUL DO NOT DAMAGE THE HOLE POSITION WHEN YOU USE POWERTOOLS!

CARTONS ONLY ONE/ CARTONS SEULEMENT UN

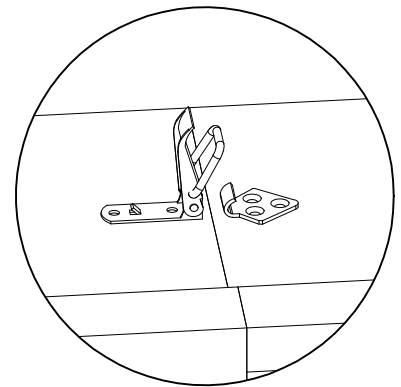
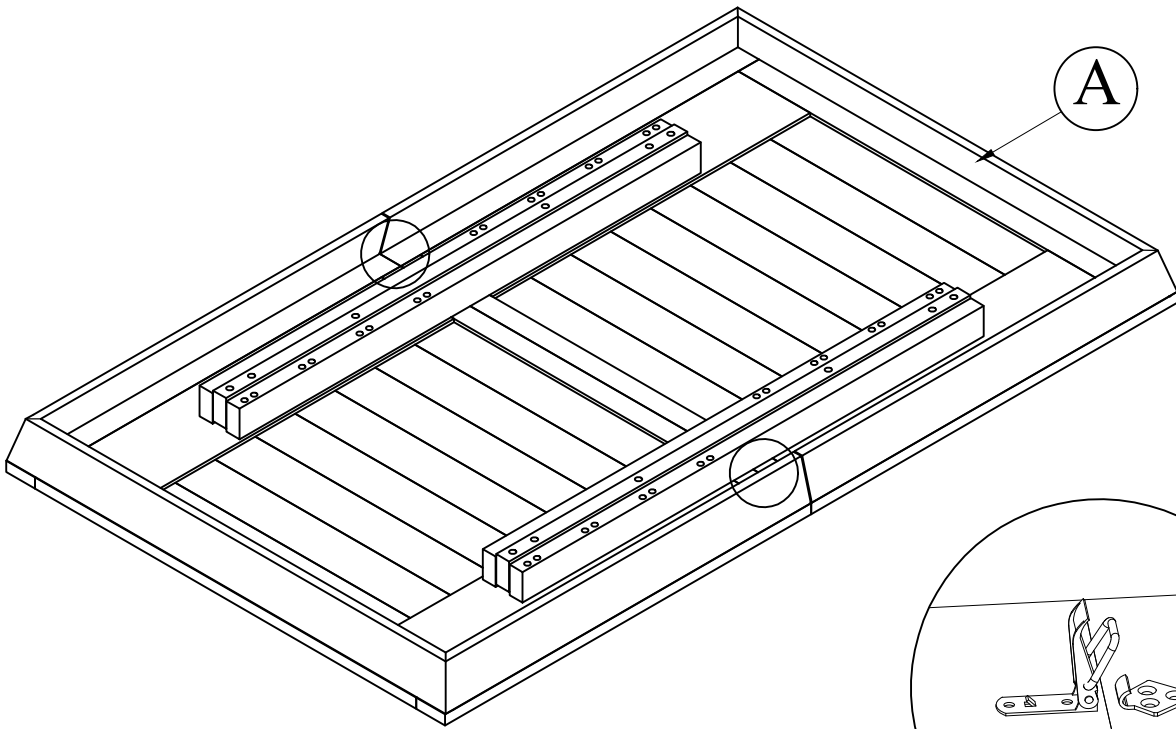
PART LISTS

NO.	DESCRIPTION	SKETCH	Q'TY
NO.	PART		Q'TY
A	Scissor Table Top		1
B	Middle Table Top		1
C	Table Legs		2
D	Link bar		2

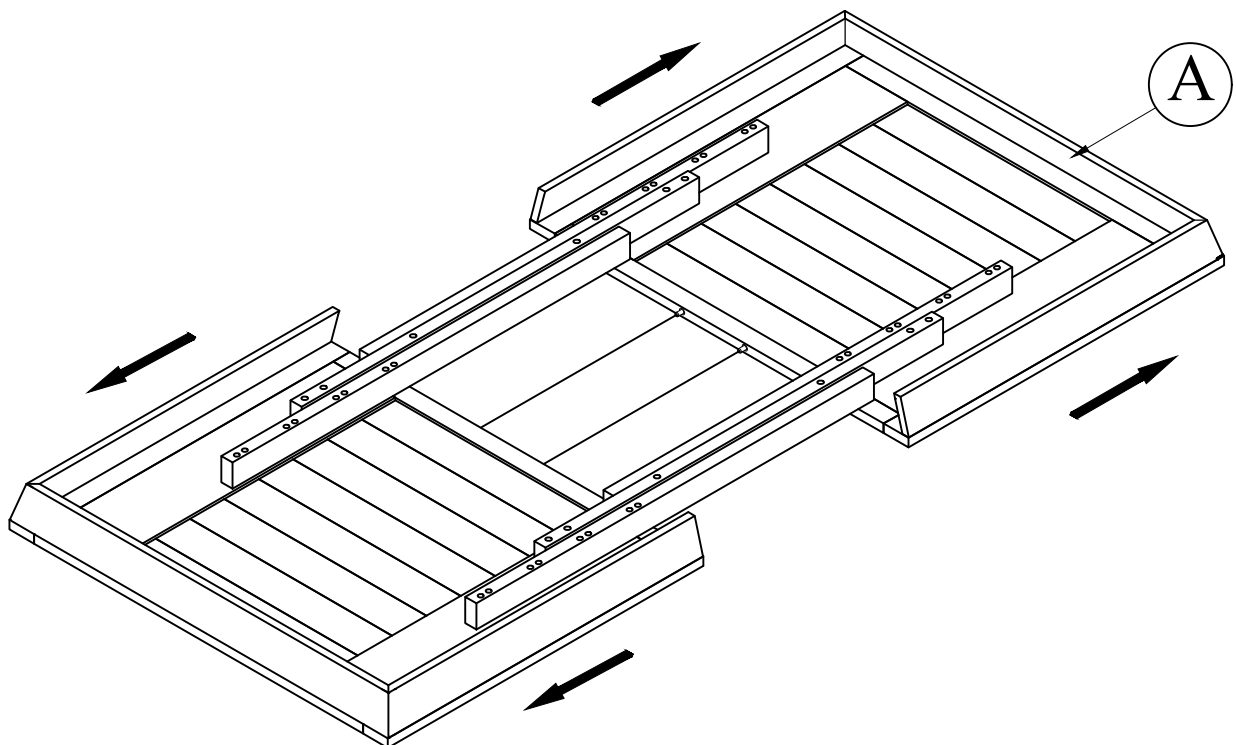
HARDWARE LISTS

NO.	DESCRIPTION	SKETCH	Q'TY
NO.	PART	DESCRIPTION	Q'TY
1		Hex-Head bolts-5/16" x 30mm	20
2		Flat washers- 5/16" x 14 x 1.5	20
3		Lock washers- 5/16" x 12 x 1.5	20
4		Allen key-K4 mm	1

STEP 1:






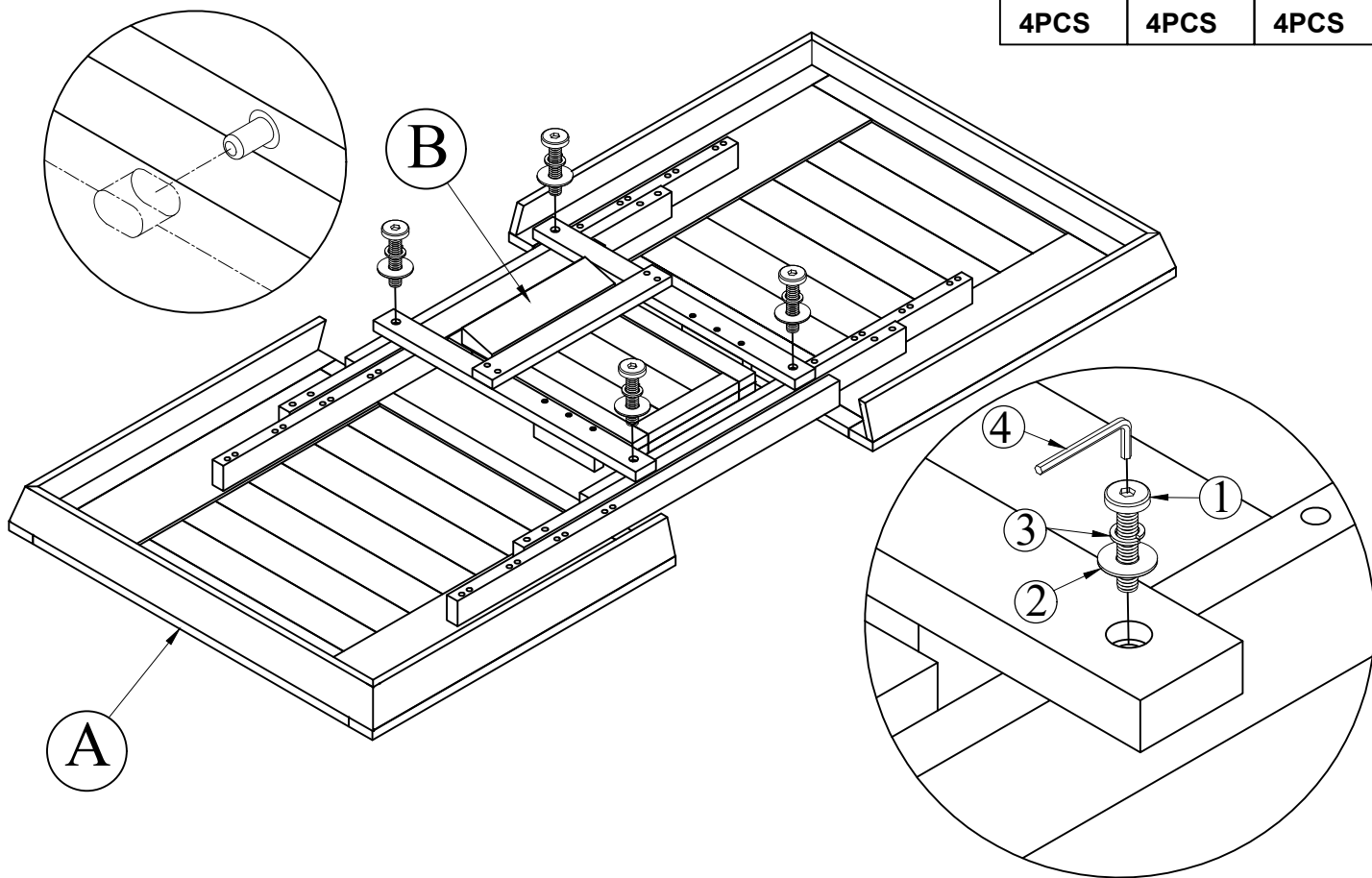
Unlock the bottom of the table to pull it open



STEP 2:

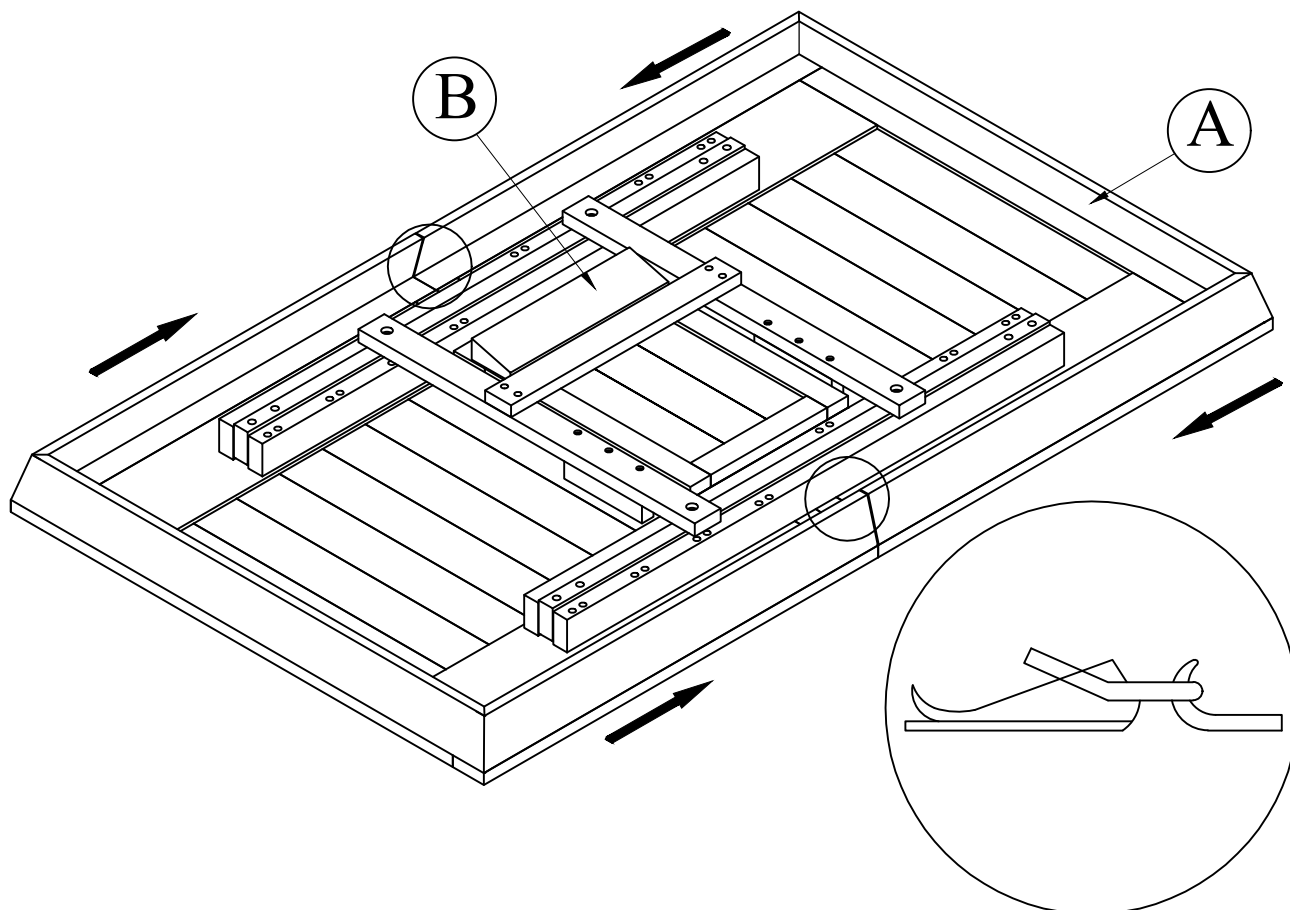
Insert the side table (B) in the correct direction of the co-locating pin

3	2	1
		
4PCS	4PCS	4PCS






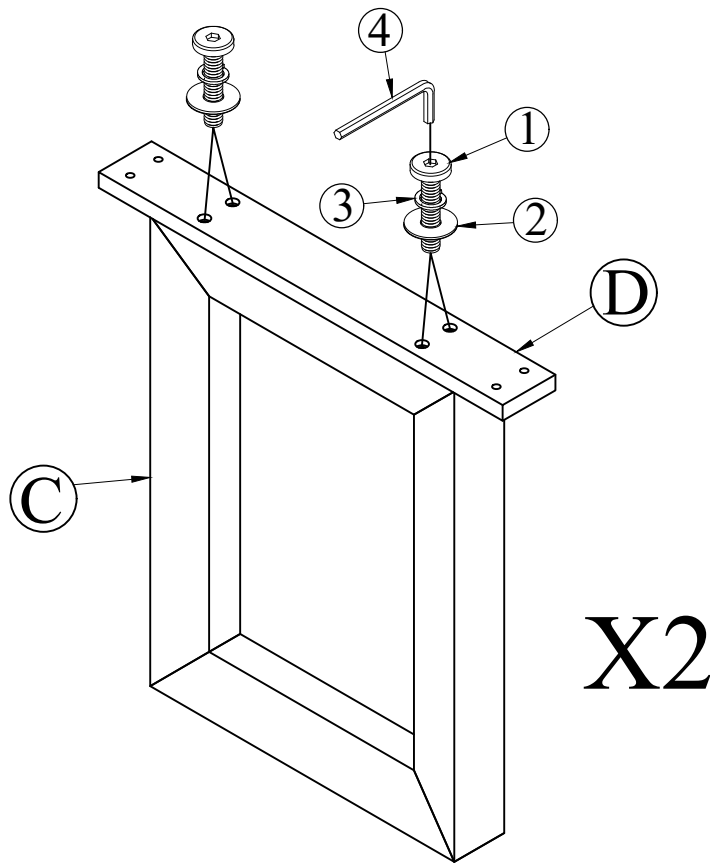
STEP 3:

Raise the side table top (B), close the main table top (A) and lock the table top in place






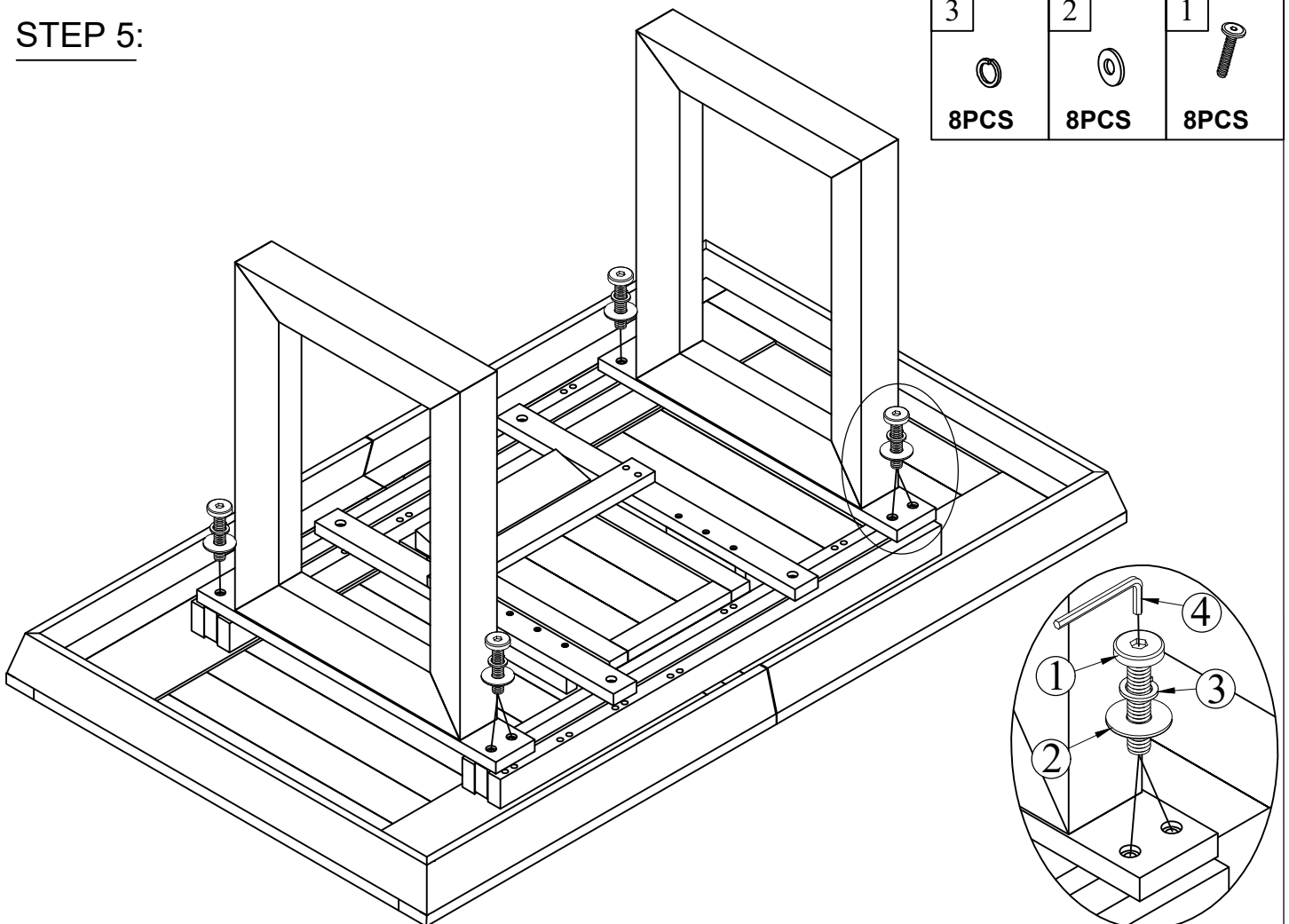
STEP 4:

3	2	1
		
4PCS	4PCS	4PCS

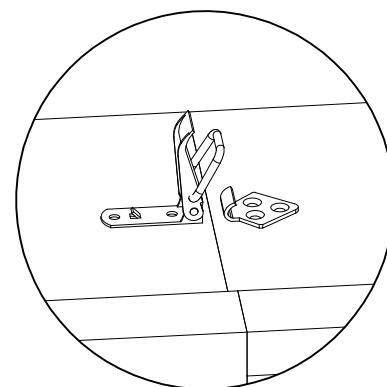
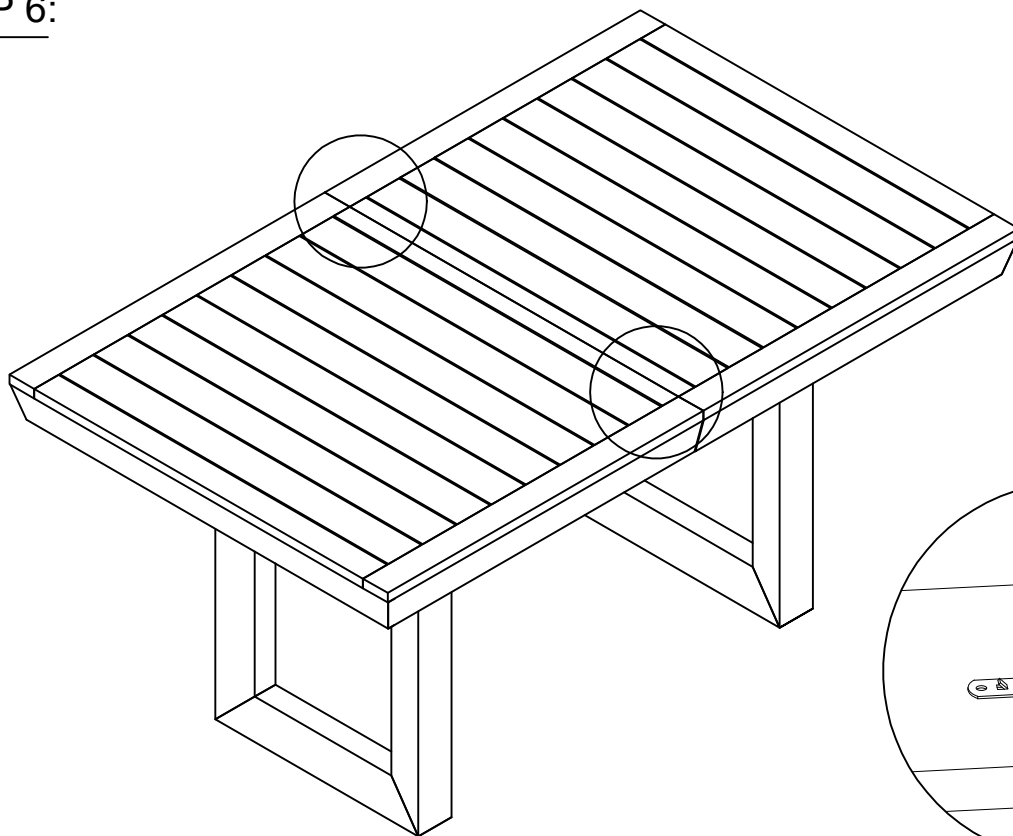


STEP 5:

3	2	1
		
8PCS	8PCS	8PCS

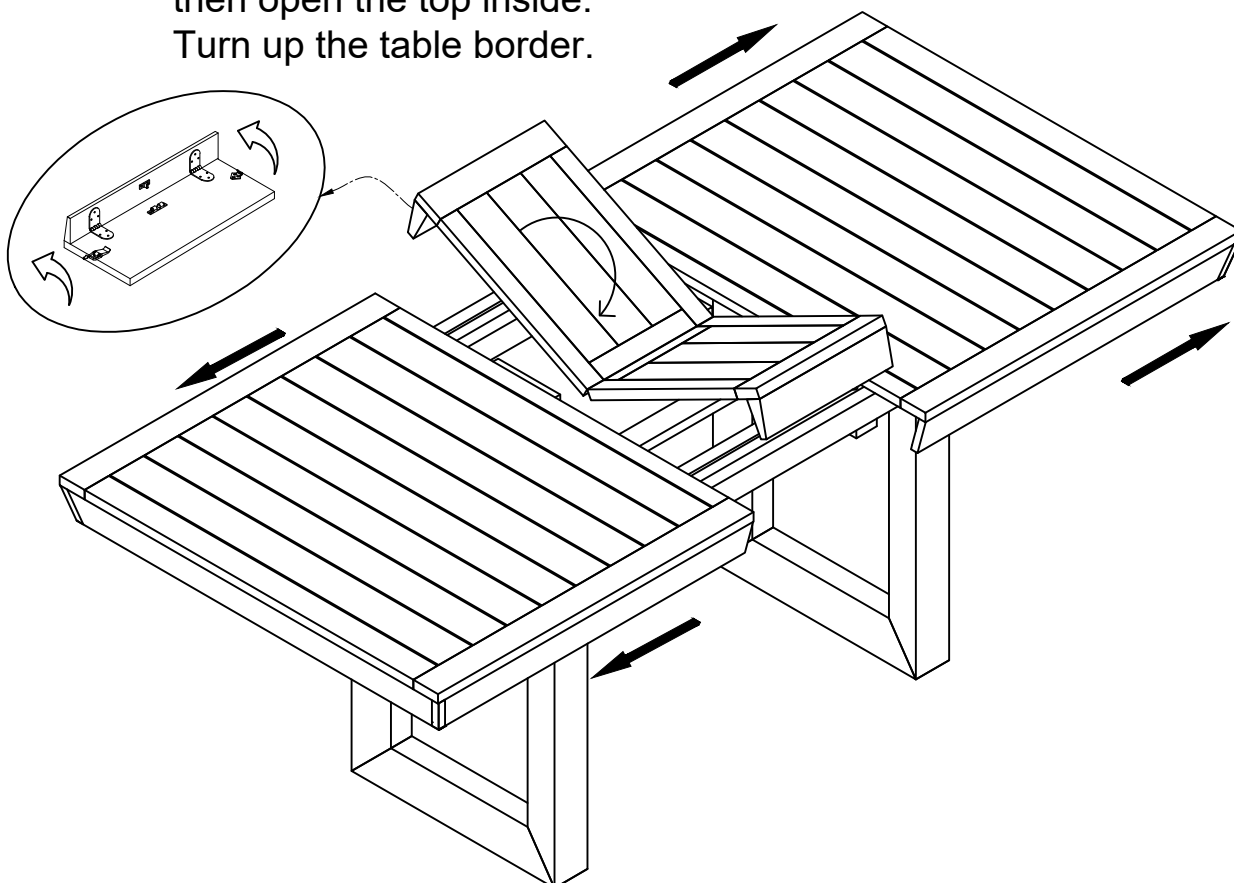


STEP 6:



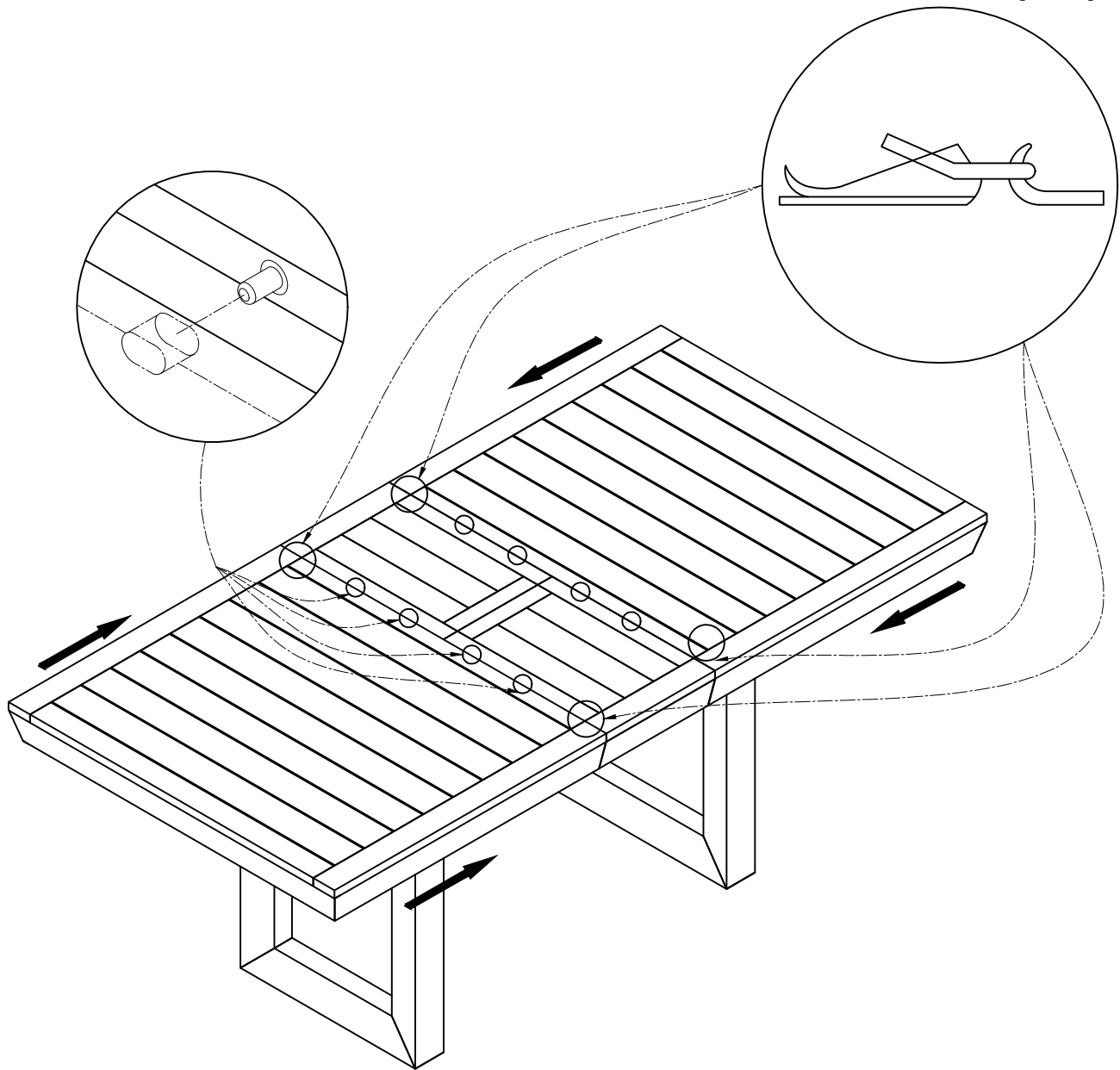
Unlock the bottom of the table to pull it open

STEP 7: Move the table top outside then open the top inside. Turn up the table border.



STEP 8:

Lock the table top in place



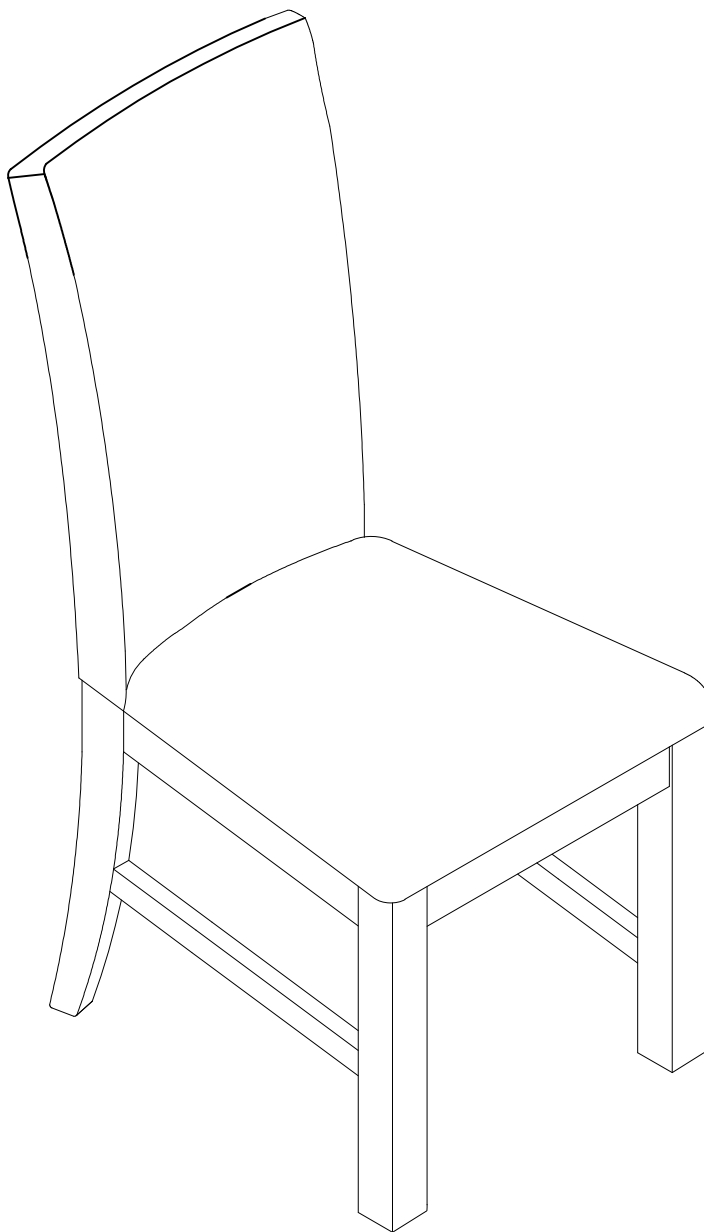
Assembly Instructions

Dining Chair

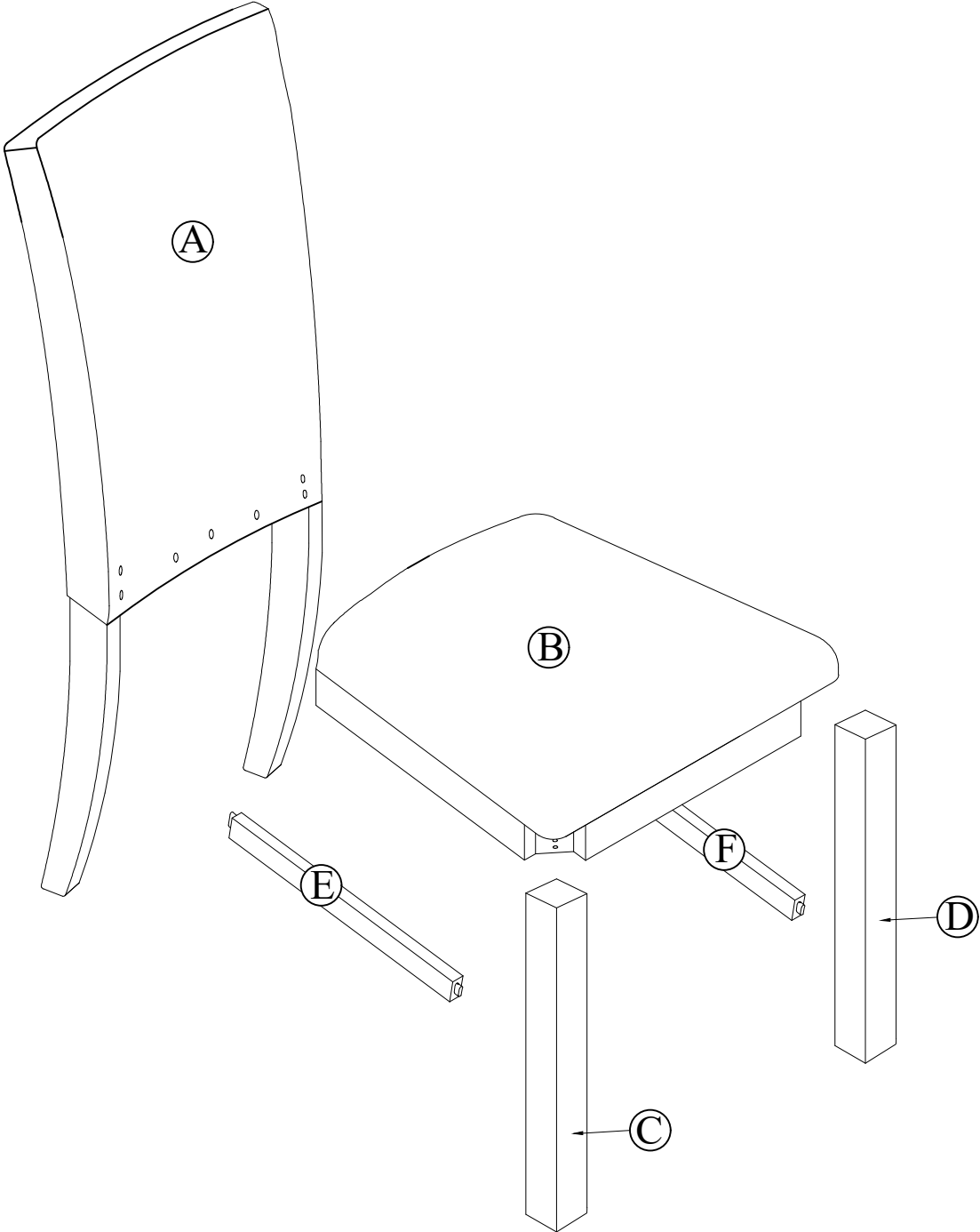
Thank you for purchasing this quality product. Be sure to check all packing materials carefully for small parts, which may have come loose inside the carton during shipment. Identify and count all items and compare with the PARTS LIST and/or HARDWARE LIST shown below.

Caution: Please read the instructions thoroughly before assembly.

1. We recommend that you assemble this product with the assistance of another person; this will make the assembly easier, and will help eliminate damage to the product or injury to persons during assembly.
2. Please do not over tighten screws or bolts until the assembly is completed.
3. Please put all parts on a non-abrasive floor before assembly, and follow the assembly steps to assemble your newly purchased product correctly and efficiently.



Detail View



Assembly Instructions

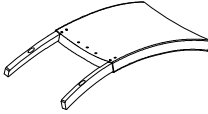
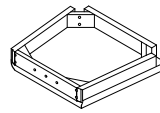
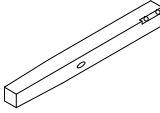
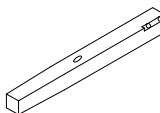
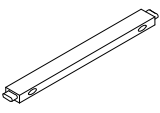
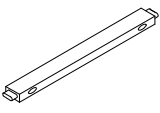
Dining Chair






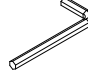



ASSEMBLY TOOLS REQUIRED (NOT INCLUDED)

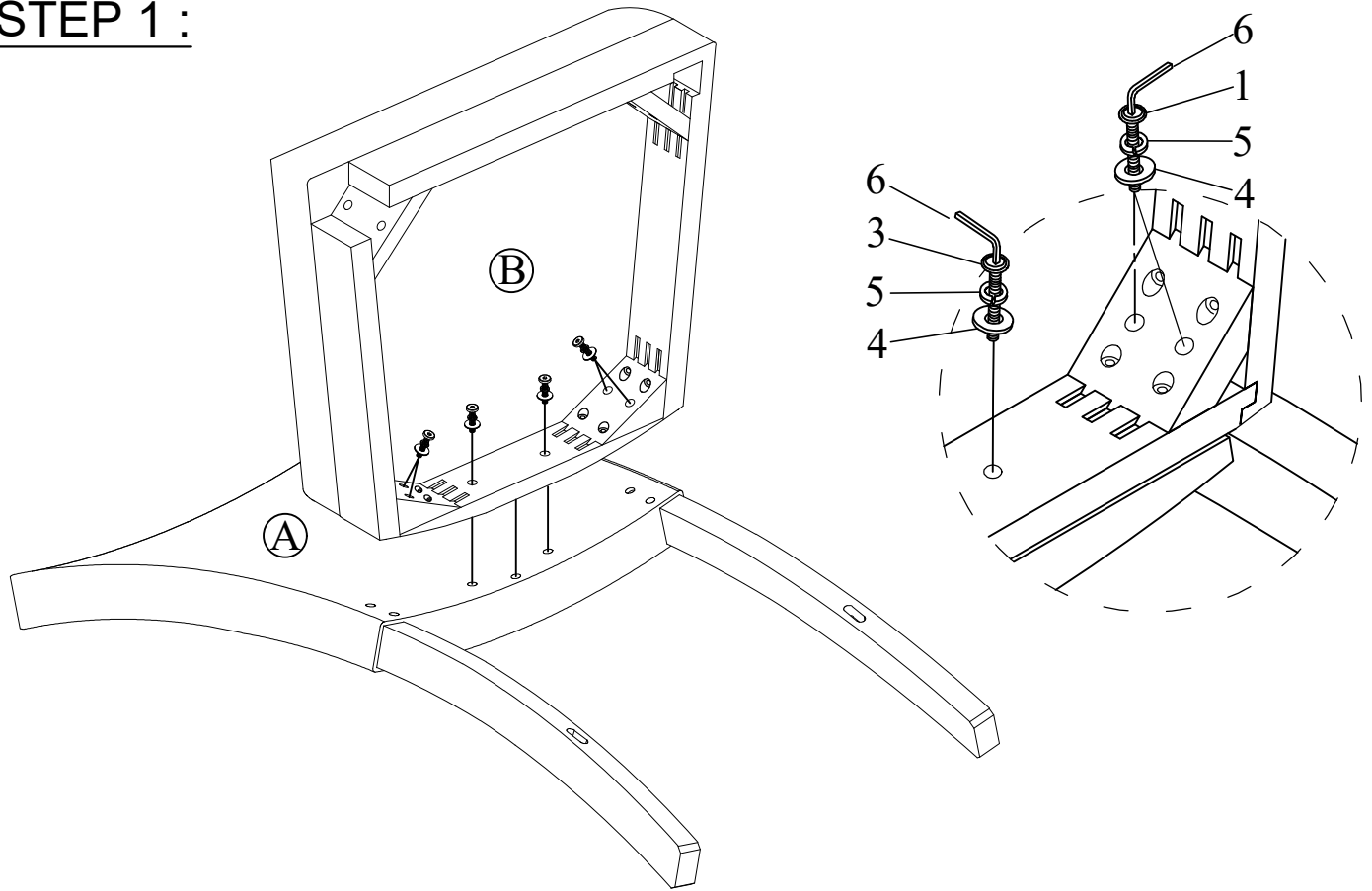


PLEASE BE CAREFUL DO NOT DAMAGE THE HOLE POSITION WHEN YOU USE POWERTOOLS!

NO.	PART LISTS FOR ONE		Q'TY
A	Back Frame With Cushion		1
B	Seat Frame With Cushion		1
C	Front Leg - Left		1
D	Front Leg - Right		1
E	Stretcher-Left Foot		1
F	Stretcher-Right Foot		1

NO.	PART	HARDWARE LIST FOR ONE	Q'TY
1		Hex-Head bolt-1/4" x 75mm	4
2		Hex-Head bolt-1/4" x 60mm	4
3		Hex-Head bolt-1/4" x 40mm	2
4		Flat washers- 1/4" x 18 x 1.5	10
5		Lock washers- 1/4" x 12 x 1.5	10
6		Allen key-K 4 mm	1
7		Screw-4x40mm	4

STEP 1 :



STEP 2 :

