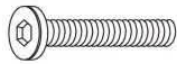


# ASSEMBLY INSTRUCTIONS

## Accessories

A



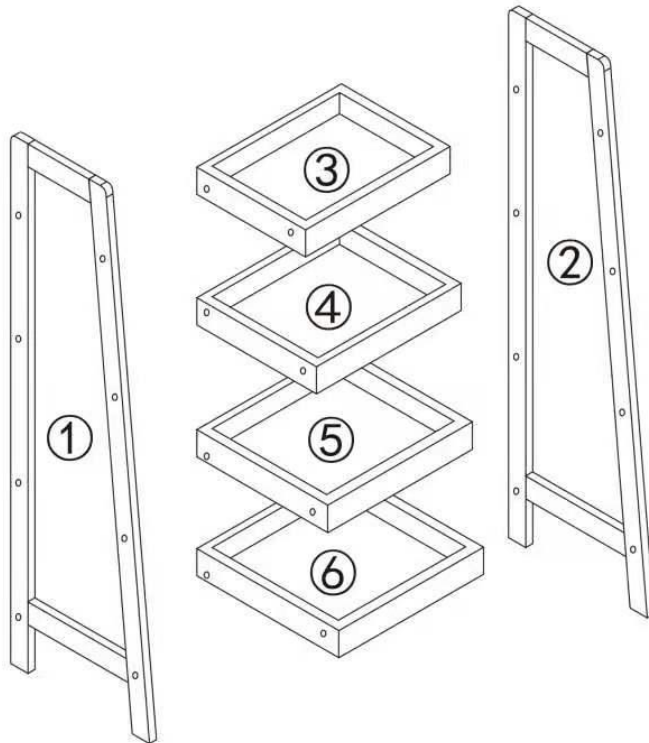
X16

B

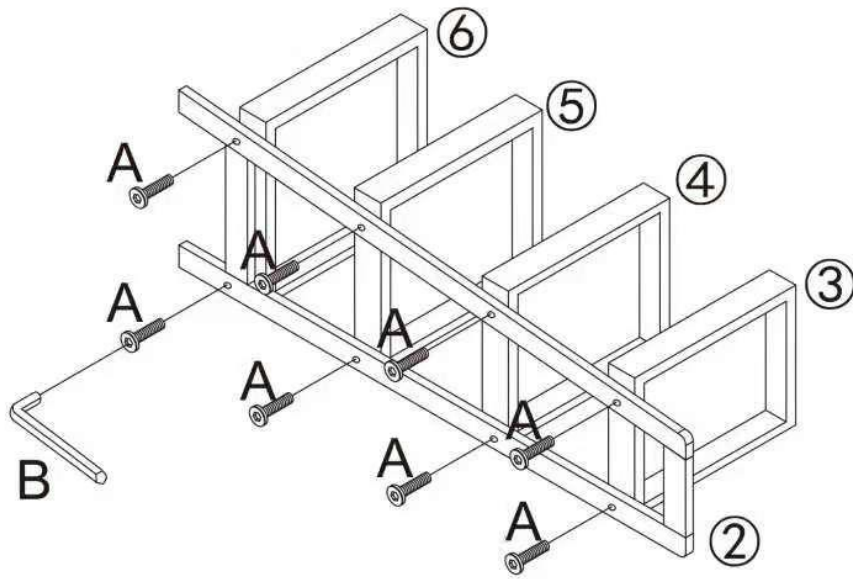


X1

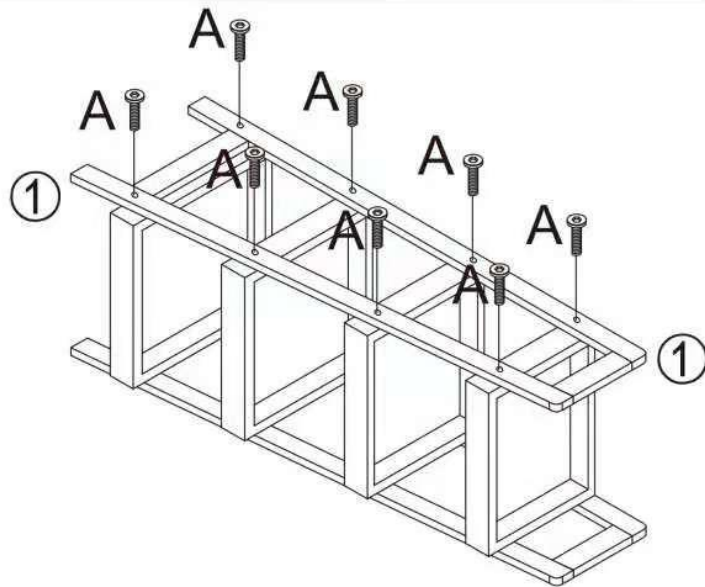
## Assembly Instructions



**1**



**2**



**3**

