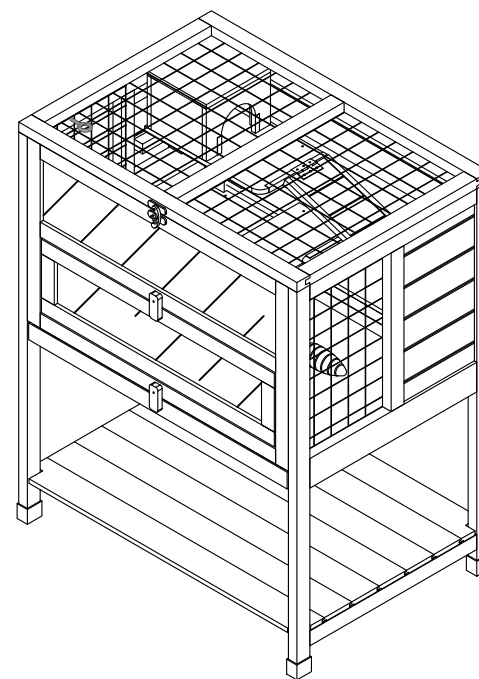


ASSEMBLY INSTRUCTIONS
PLEASE RETAIN THESE INSTRUCTIONS FOR FUTURE USE



TIME: 30-60 minutes



NUMBER OF PEOPLE: 2

Greeting!
So here I am

your new pet house

- ▶ Thanks for letting me be a home for your furry friend(s).
- ▶ They'll be cozy and protected from the weather when they're with me.
- ▶ Just remember to take care of me too, so I can last a long time.
- ▶ When you open the box, you might smell a funny smell. Don't worry, it's not dangerous, just let me ventilate for a few days and the smell will go away.
- ▶ Be careful when you assembling together because some of my parts can be sharp or heavy.
- ▶ Make sure all the screws are tight during installation and double-check that they're all secure before using me.
- ▶ If you notice anything broken or missing, stop using me until it's fixed. and please follow the instructions from my maker so your warranty stays good.
- ▶ You can use me indoors or outdoors, but if you place me outside, please remember to protect me from prolonged exposure to rain.
- ▶ If it's raining heavily, be sure to cover me to ensure my longevity.
- ▶ Remember to place and use me on a flat surface to make sure it's put together correctly and works well.
- ▶ Keep me away from fire and dangerous chemicals.
- ▶ Clean me with a damp, soapy sponge without corrosive agents.
- ▶ Dry me with a soft, clean, dry cloth.
- ▶ Do not cleaning me with high pressure.
- ▶ Do not put bleach, acids, solvents, or abrasive cleaners on me.
- ▶ Check that all my bolts, screws, and knobs are tight every 90 days.



HELP CENTER

- ▶ Your full satisfaction is our **FIRST** priority
- ▶ We hope you enjoy it and have a good shopping experience.
- ▶ We are committed to resolve any issue when the item does not meet your expectations.
- ▶ Please feel free to contact us through order detail page, we will get back to you and solve them within 24 hours.

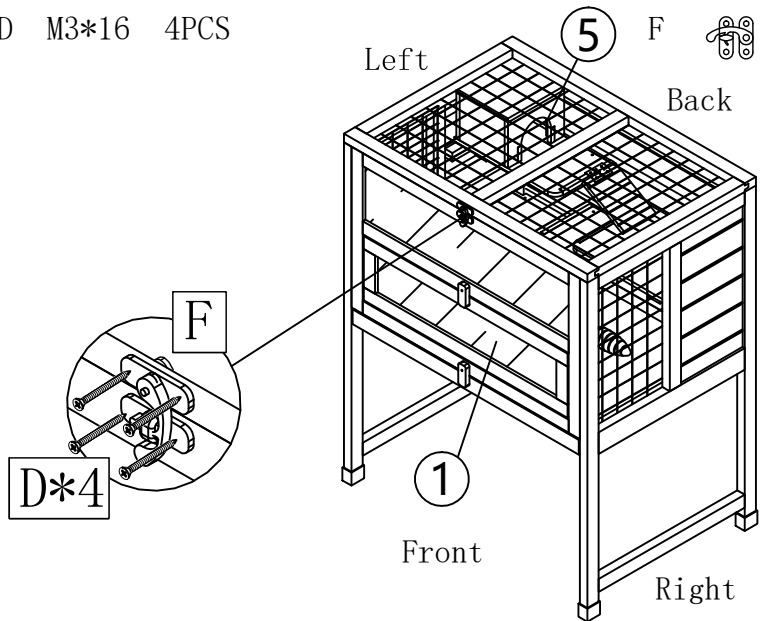


WARNING:

Manufacturer and seller expressly disclaim any liability for personal injury, property damage or loss, whether direct, indirect, or incidental, resulting from incorrect attachment, improper use, inadequate maintenance or neglect of this.

D M3*16 4PCS

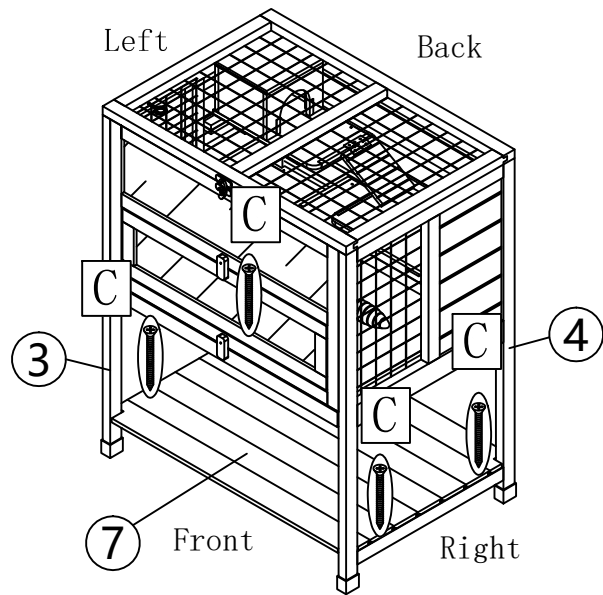
1PC



Fix (F) Lock on ①Front Panel and ⑤Roof with screws .

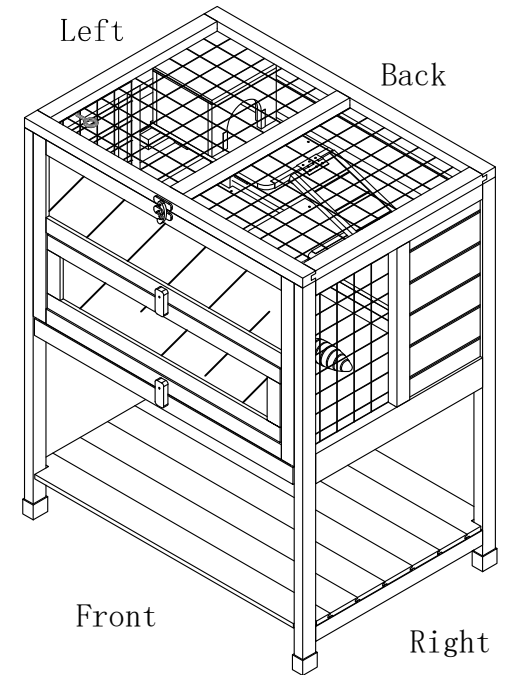
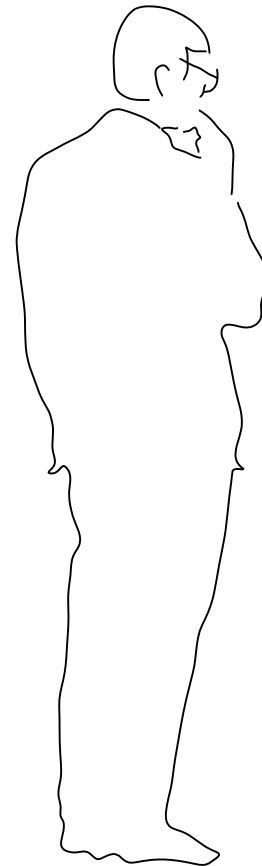
STEP 9

C M3*25 4PCS



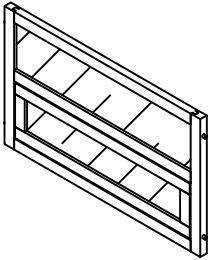
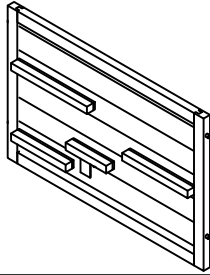
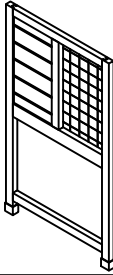
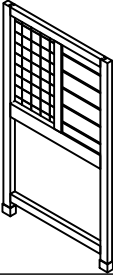
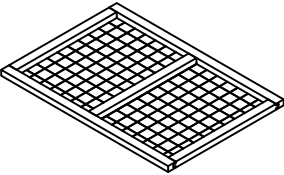
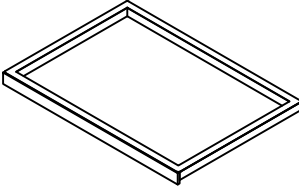
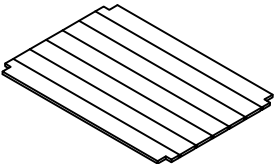
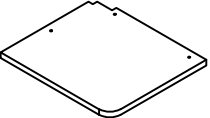
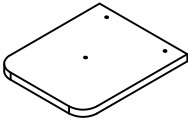
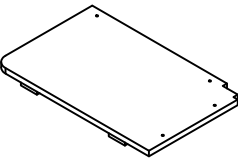
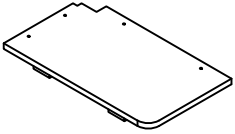
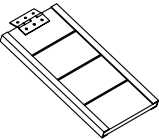
Fix ⑦Down Layer Panel on ③Left Panel and ④Right Panel with screws .

STEP 10

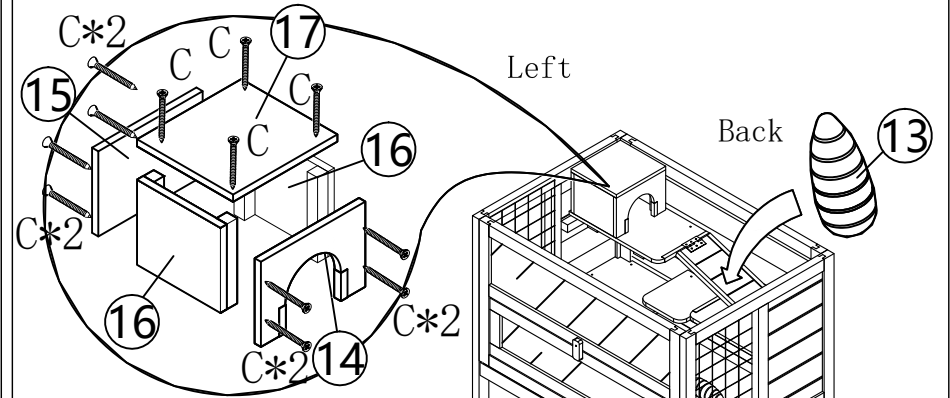


ASSEMBLY INSTRUCTION

Tool Required:  Electric Drill  Phillips Screwdriver

		
① Front Panel	② Back Panel	③ Left Panel
		
④ Right Panel	⑤ Roof	⑥ Tray
		
⑦ Down Layer Panel	⑧ Layer Panel	⑨ Layer Panel
		
⑩ Layer Panel	⑪ Layer Panel	⑫ *2 Ramp

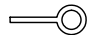
C M3*25 12PCS

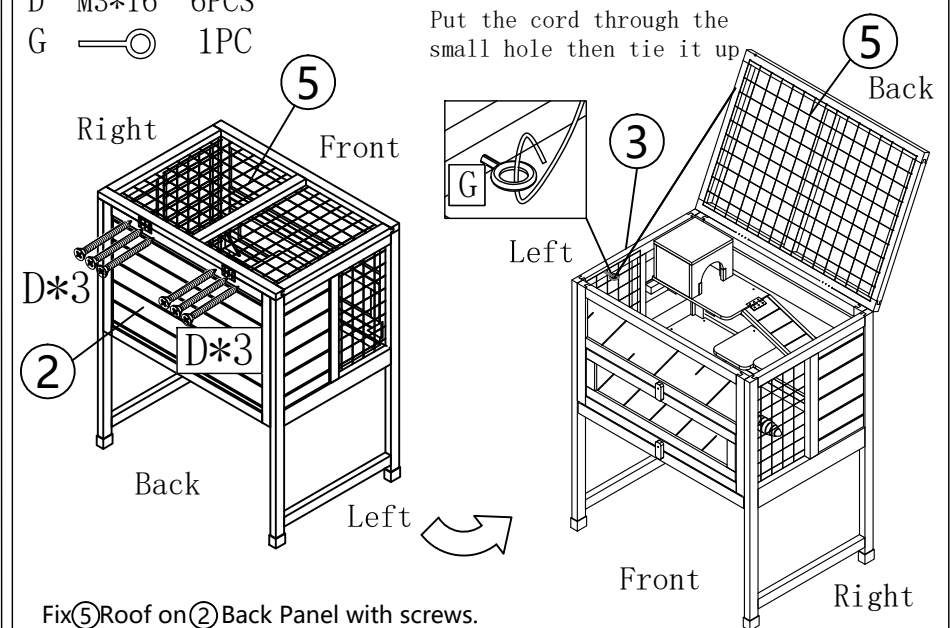


Attach ⑭ Front panel of small house,
 ⑮ Back panel of small house,
 ⑯ *2 Side Panel of small house,
 ⑰ Roof of small house with screws.
 Put in ⑬ Chew stick.

STEP 7

D M3*16 6PCS

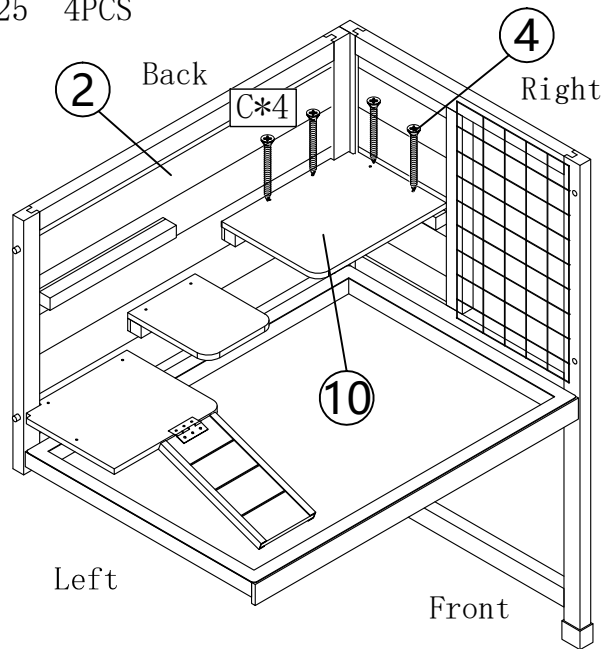
G  1PC



Fix ⑤ Roof on ② Back Panel with screws.
 Fix (G) Hook on ③ Left Panel, and connect it with the Cord.

STEP 8

C M3*25 4PCS

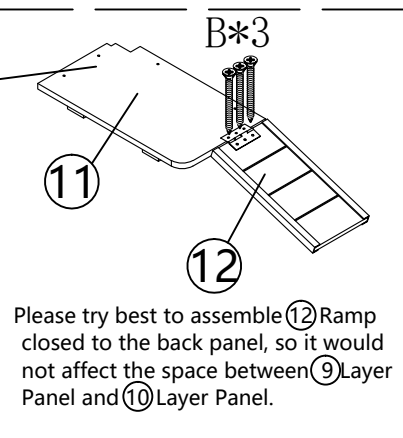
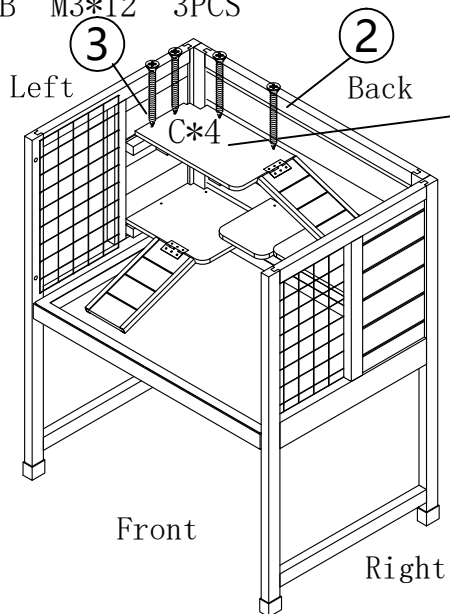


Fix ⑩ Layer Panel on ② Back Panel and ④ Right Panel with screws.

STEP 5

B M3*12 3PCS

C M3*25 4PCS



Please try best to assemble ⑫ Ramp closed to the back panel, so it would not affect the space between ⑨ Layer Panel and ⑩ Layer Panel.

Fix ⑫ Ramp on ⑪ Layer Panel with screws, then Fix it on ② Back Panel and ③ Left Panel with screws.

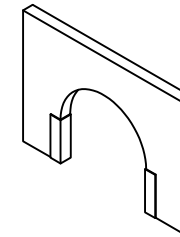
STEP 6

ASSEMBLY INSTRUCTION

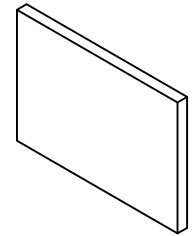
Tool Required: Electric Drill Phillips Screwdriver



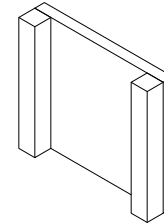
⑬ Chew stick



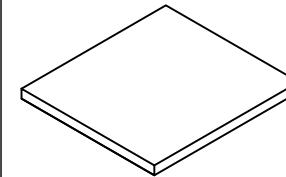
⑭ Front panel of small house



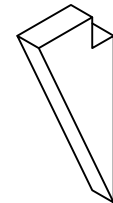
⑮ Back panel of small house



⑯ *2 Side panel of small house



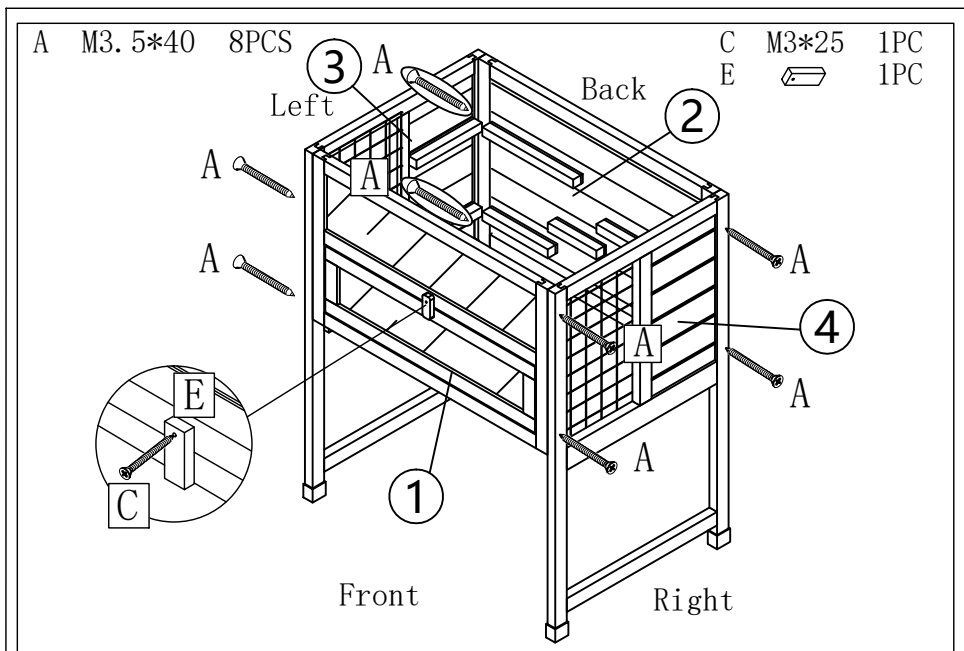
⑰ Roof panel of small house



⑱ Wooden support

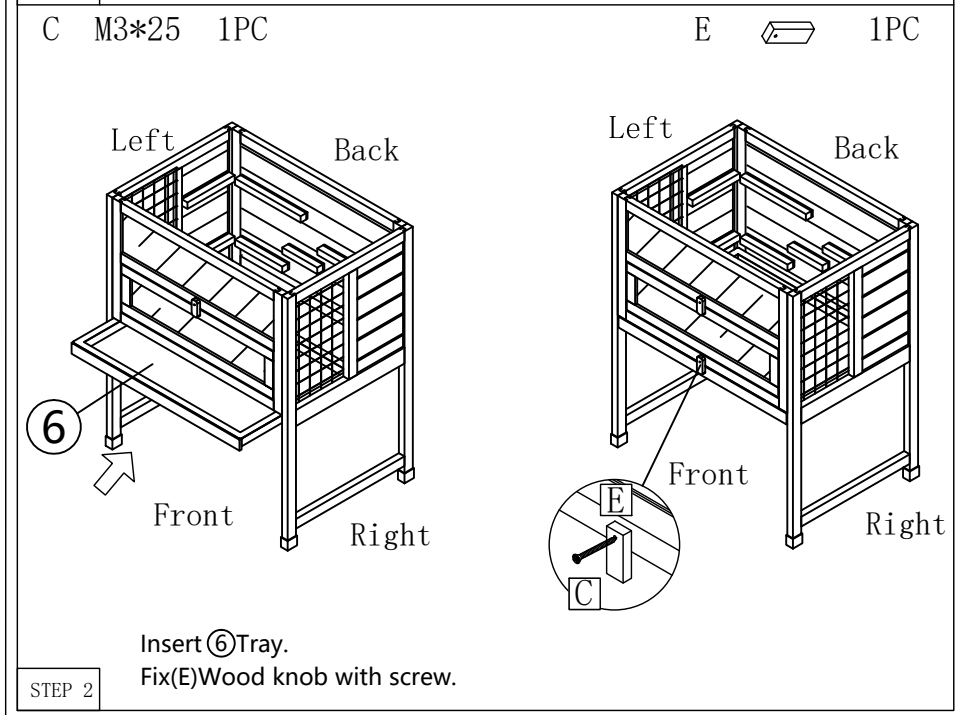
Parts Description

	A M3. 5*40	9PCS+1
	B M3*12	6PCS+1
	C M3*25	33PCS+1
	D M3*16	10PCS+1
	E	2PCS
	F	1PC
	G	1PC



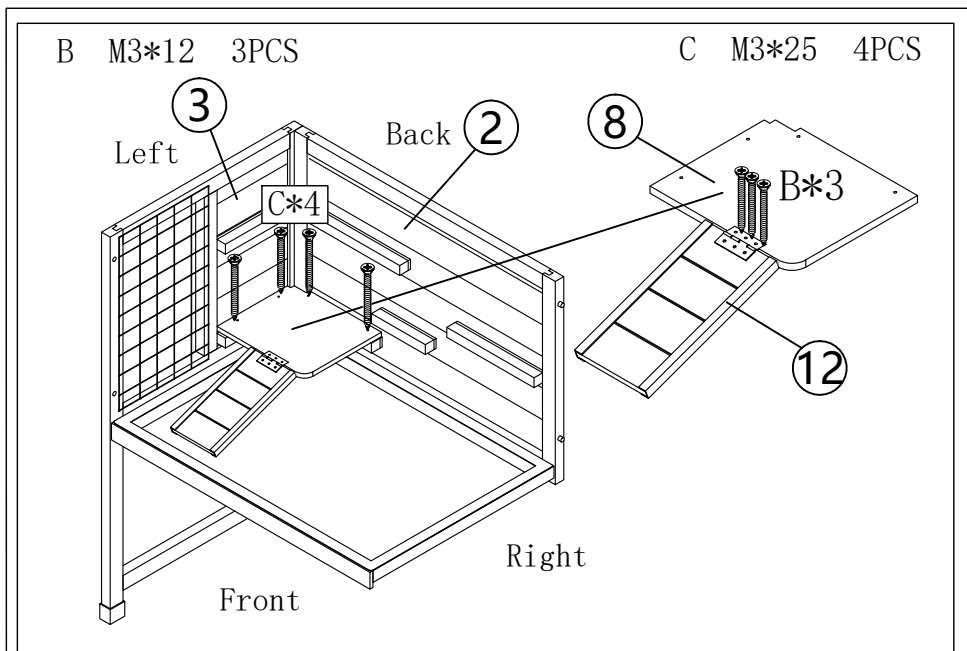
Attach ①Front Panel, ②Back Panel, ③Left Panel, ④Right Panel with screws.
 Fix (E) Wooden knob with screw.

STEP 1



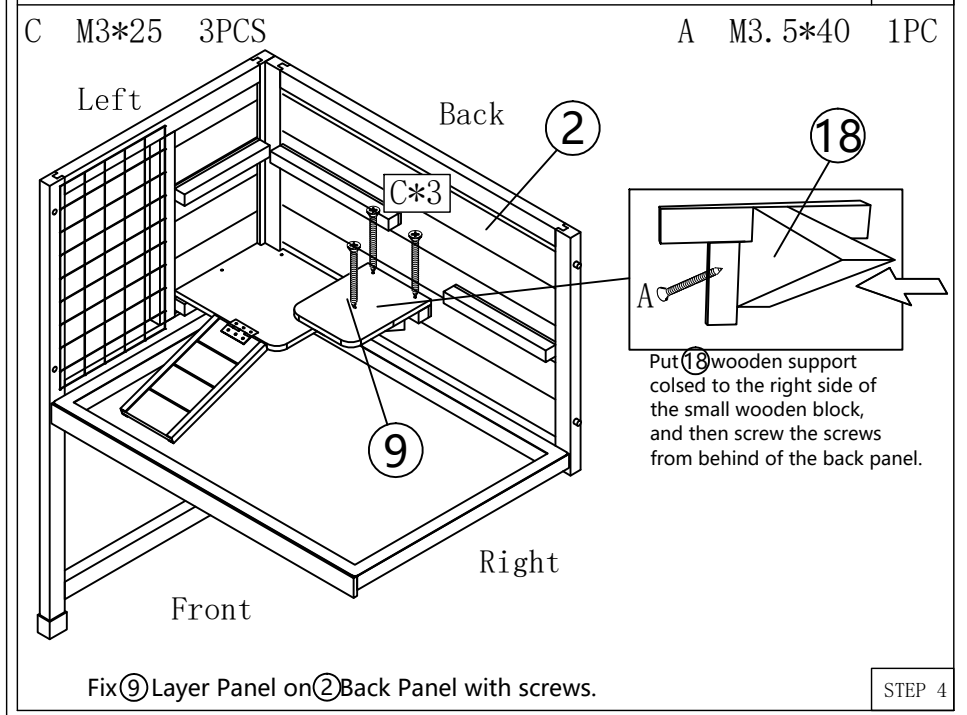
Insert ⑥Tray.
 Fix (E) Wood knob with screw.

STEP 2



Fix ⑫Ramp on ⑧Layer Panel with screws, then Fix it on ②Back Panel and ③Left Panel with screws.

STEP 3



Fix ⑨Layer Panel on ②Back Panel with screws.

STEP 4