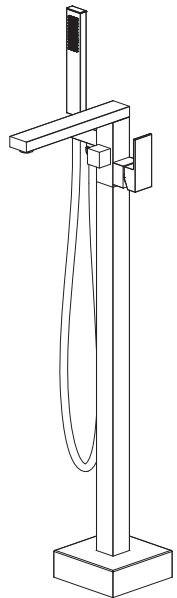




## Installation Guide

Tub filler



KTF302

# Installation Instructions

**⚠ READ ALL INSTRUCTIONS BEFORE UNPACKING THE PRODUCT ⚠**

## Important

- 1- For best results, we recommends that this unit be installed by a licensed, professional plumber.
- 2- Please read over these instructions thoroughly before beginning installation. Make sure that you have all tools and supplies needed to complete the installation.
- 3- Please flush the water system to ensure that no metal swarf, solder, and other impurities can enter the faucet that might damage the cartidge. (Most of the leakages and water flow issues are from avoinding this very necessary step).
- 4- Turn off the hot and cold water lines at the angle valve and turn on the old faucet to release any built-up pressure.
- 5- Keep this booklet and the receipt (or other proof of date and place of purchase) for this product in a safe place. The receipt is required should it be necessary to request warranty parts.
- 6- Please keep the box and packaging materials until your product is completely installed and functional.
- 7- Do not return to store if problems, Contact Customer Service ASAP at 855-883-0888 or email [support@kibusia.com](mailto:support@kibusia.com) to get help.

## Tools you may need



1. Drill



2. Phillips Screwdriver



3. Tape Measure



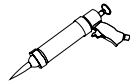
4. Pencil



5. Level

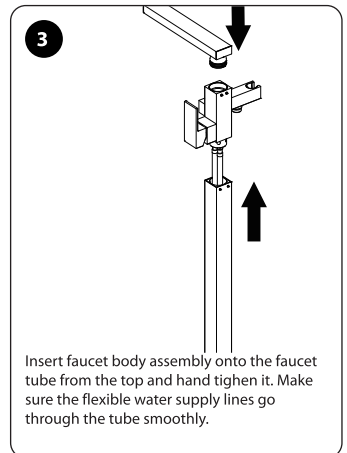
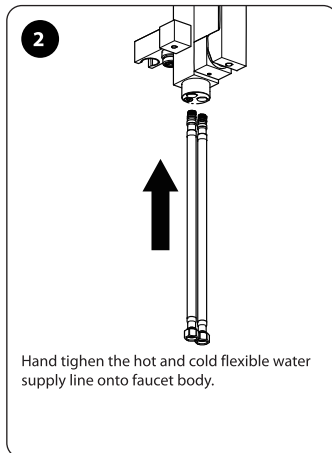
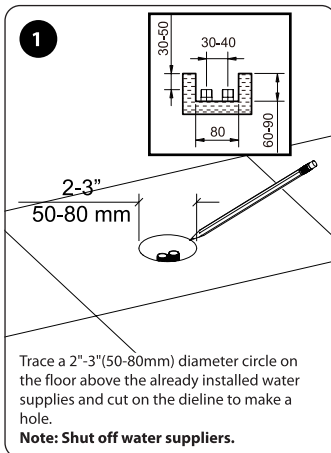


6. Plumbers tape

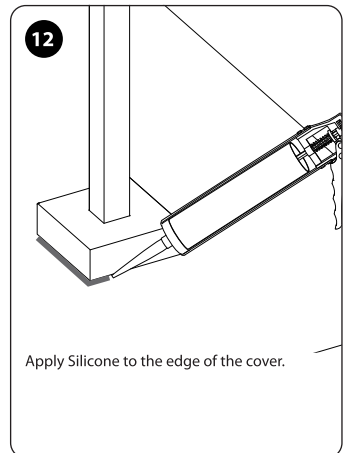
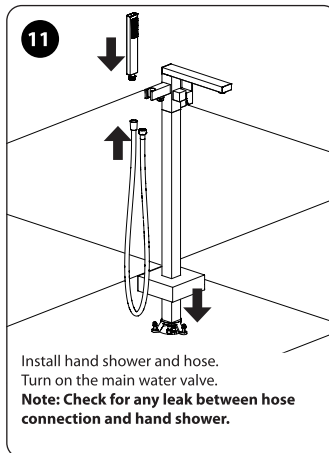
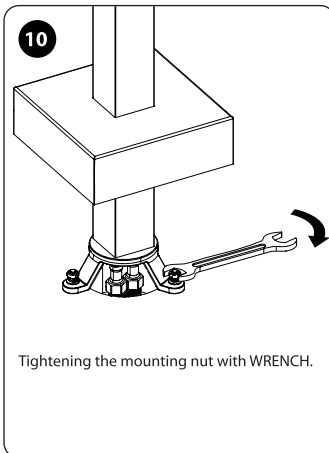
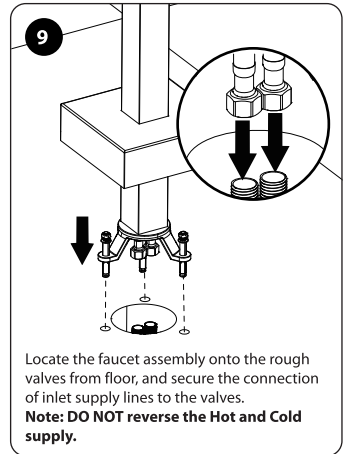
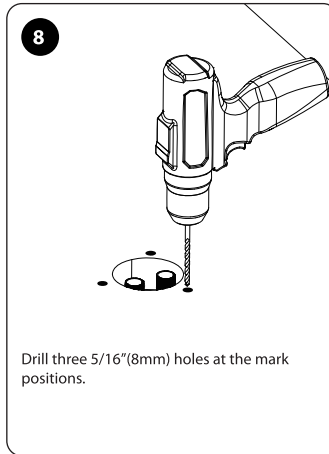
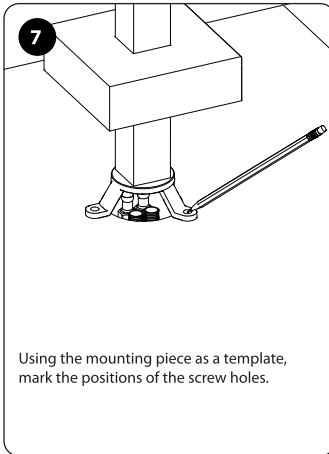
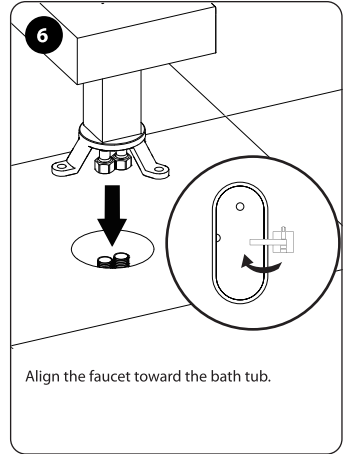
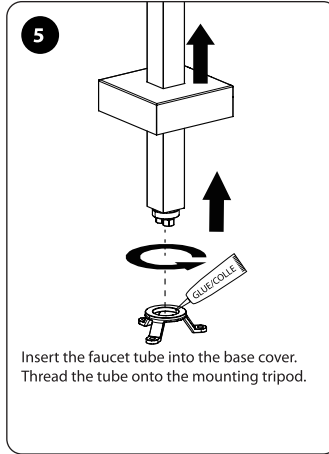
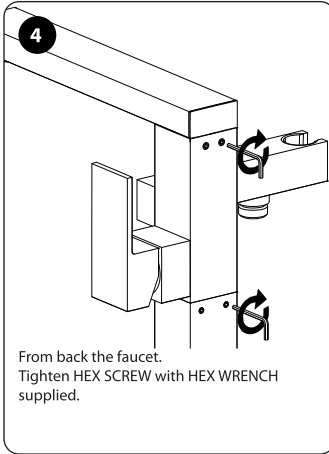


7. Silicone/Caulk Gun

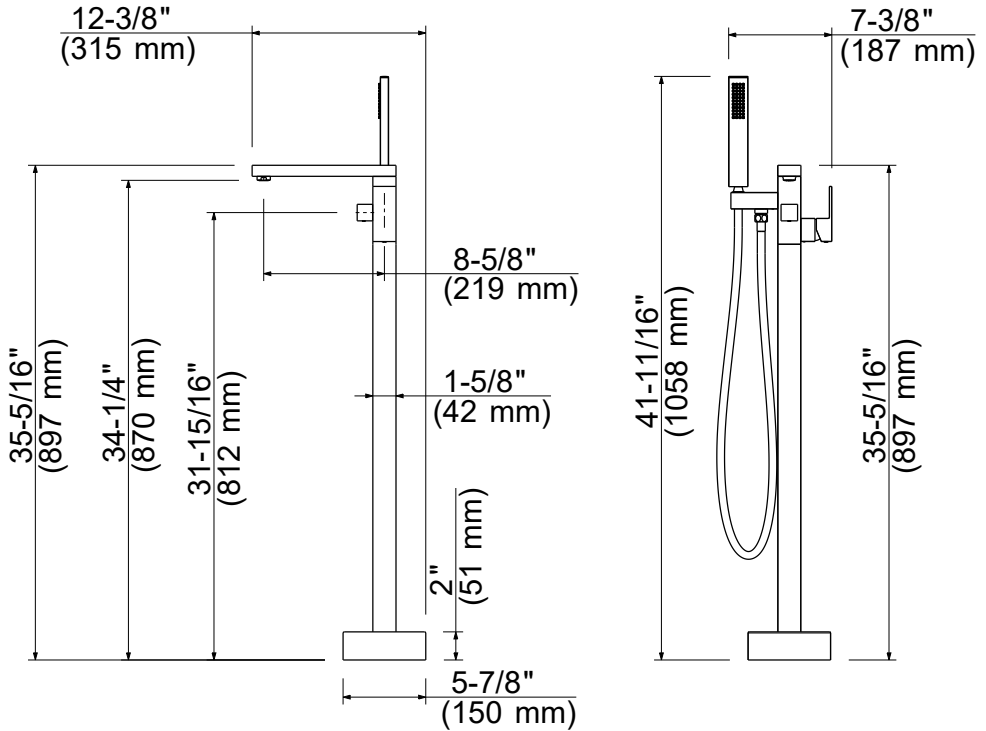
## Installation



# Installation



## Dimensions



## Cleaning and care

Clean the faucet often with a soft cloth to keep it looking like new. For heavy cleaning you can use mild liquid detergents or non-abrasive liquid polisher. Rinse with water and dry with a soft cloth. Avoid abrasive cleaners, steel wool and harsh chemicals as these will dull the finish and void your warranty.

## LIMITED LIFETIME WARRANTY

KIBI provides its customers with an extensive warranty as a result of our excellent workmanship and high quality components used in our products.

**Mechanical warranty:** A limited lifetime warranty is provided on all mechanical parts to be free from manufacturing defects in materials and workmanship under normal use for as long as the original purchaser owns their home.

**Finish warranty:** A 5-year warranty is provided on all KIBI faucet finishes to the original purchaser against manufacturing defects in materials and workmanship.

At its sole discretion, KIBI will repair or replace any part or finish that proves to be defective in material and/or workmanship under normal installation, use and service.

This warranty is extended to the original consumer owner, but does not cover installation or any other labor charges. In no event shall KIBI be liable for any incidental, consequential or special damages, installation cost, labor, travel time, freight costs incurred, lost profits, or contingent liabilities. KIBI makes no representation that its products comply with any or all local building or plumbing codes. It is the consumer's responsibility to determine local code compliance.