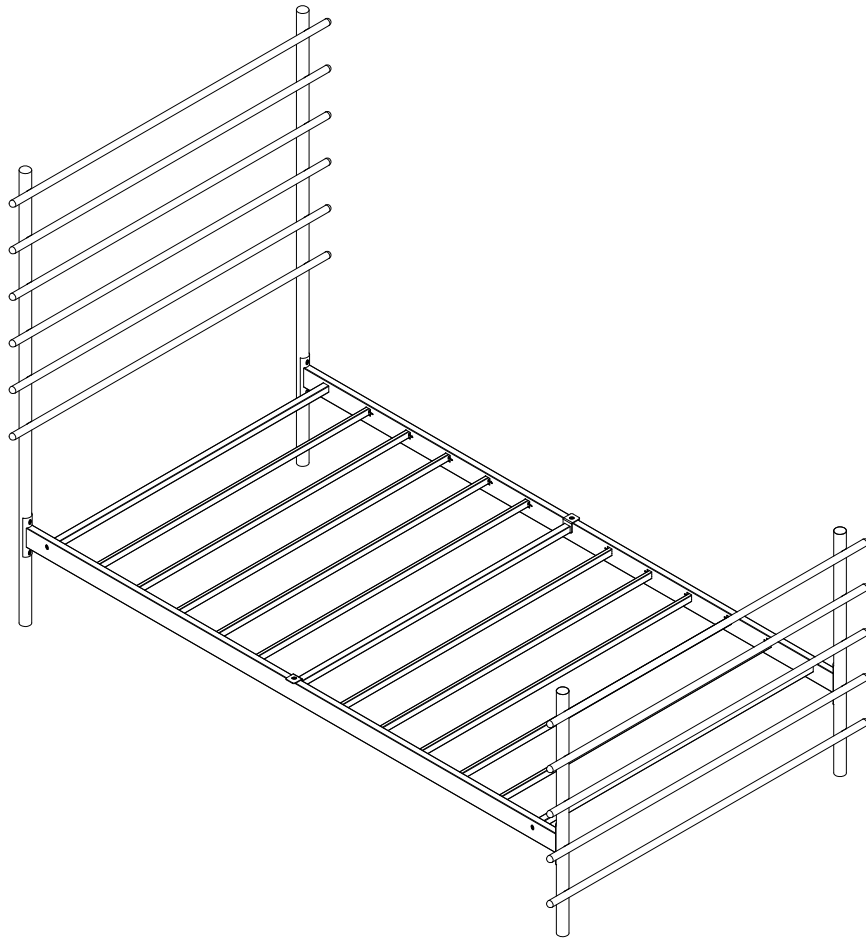


ASSEMBLY INSTRUCTION



MODEL NUMBER: 303L

NOTES:

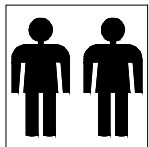
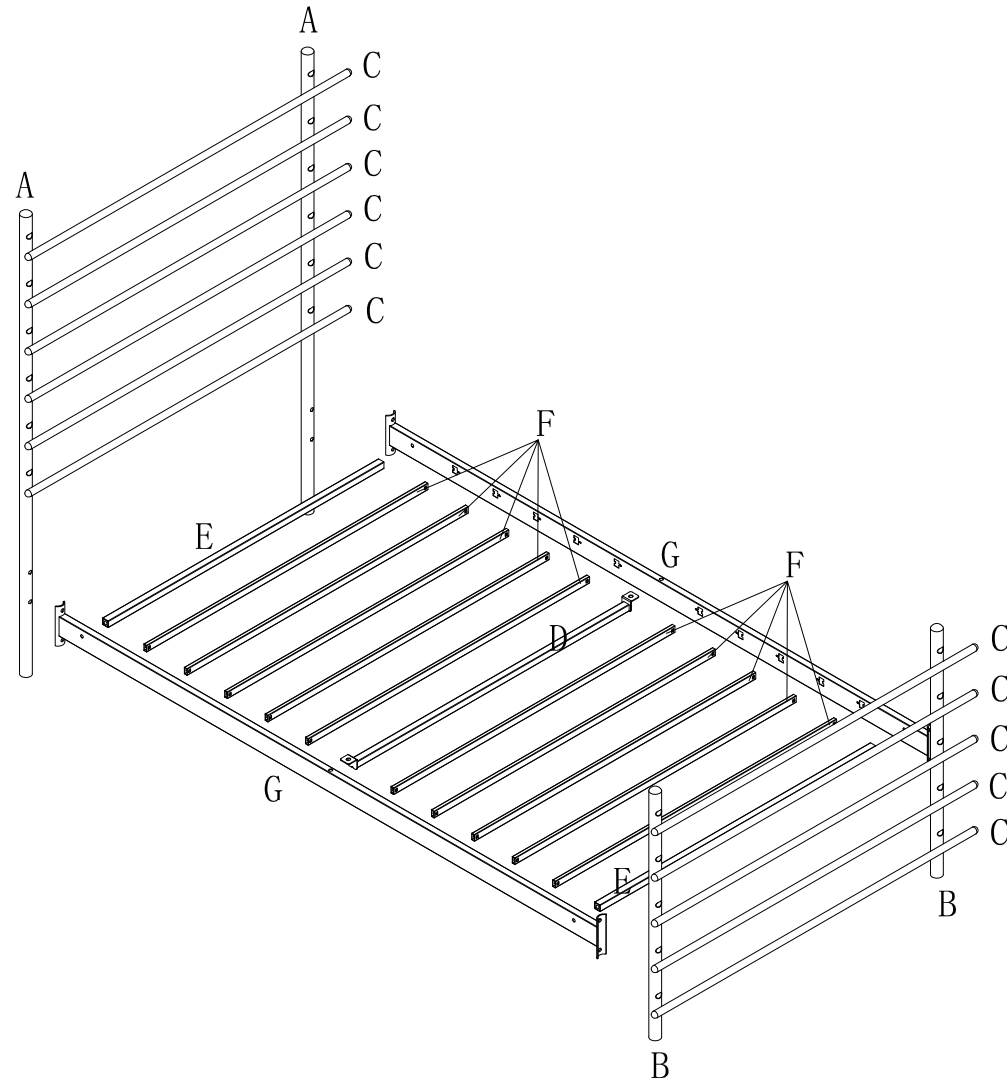
- The item is only intended to be used indoors. The product must be assembled and used in accordance with the provisions of the manual.
- It is recommended that assembly is undertaken by about 2 adults. Please read assembly instructions before assembly and strictly adhere to each step outlined. Estimated assembly time is 30 minutes.

WARNING:

- **WARNING FOR YOUNG CHILDREN** - This product contains small components, please ensure that they are kept away from small children while assembling.

1



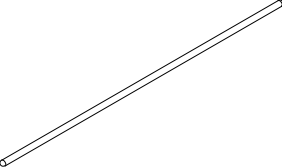
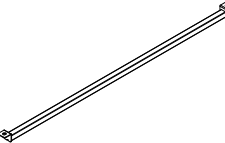
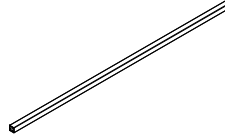
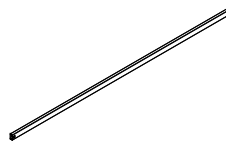
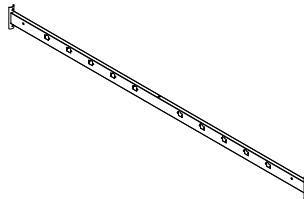
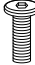
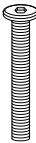

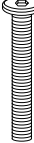



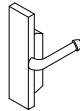
PARTS LIST



Minimum two person assembly

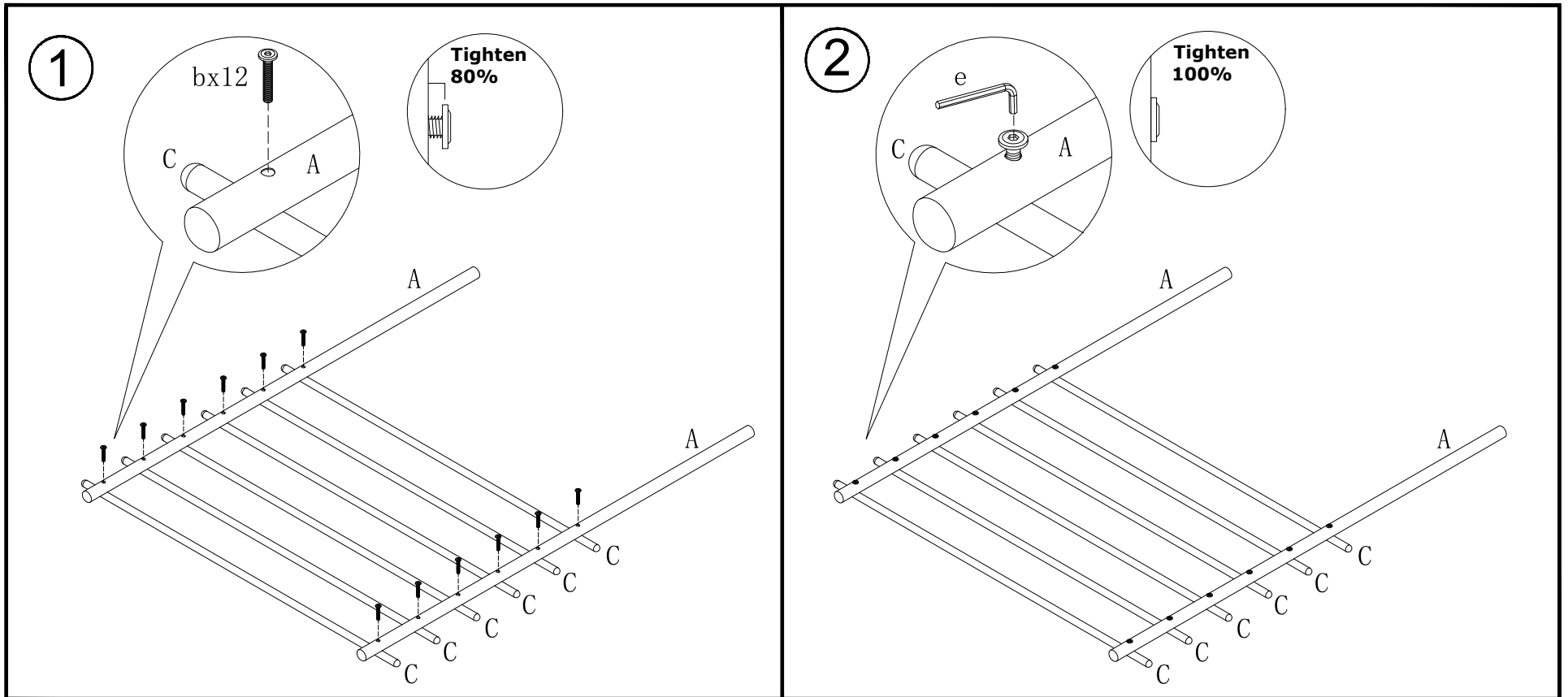
2

PARTS LIST

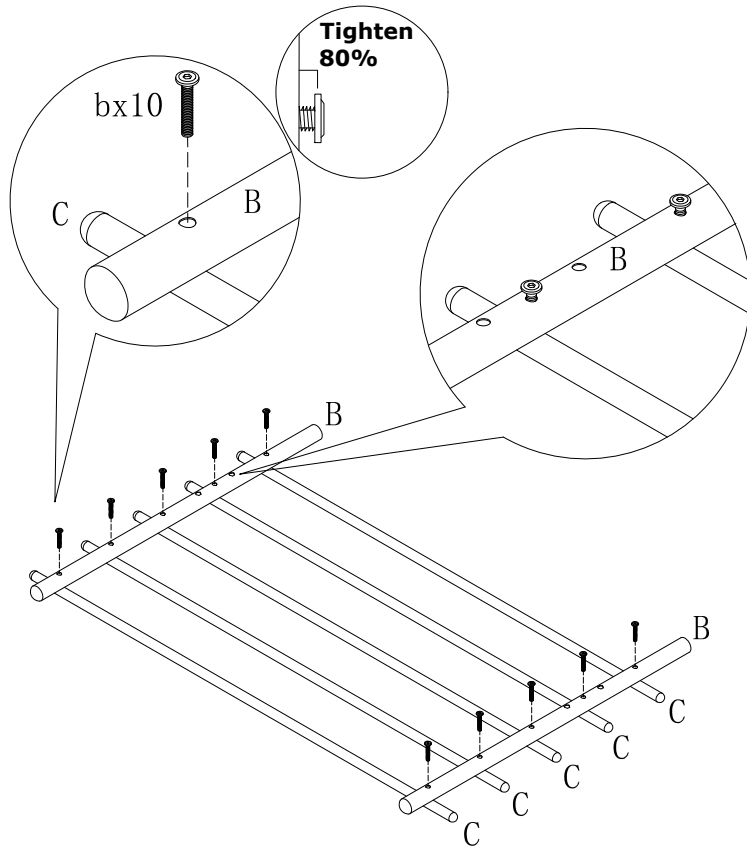
A		B		C		D		E		F		G	
													
2pcs		2pcs		11pcs		1pc		2pcs		10pcs		2pcs	
a	b	c	d	e	f	g	Spare parts						
													
M6*15 8pcs	M6*40 22pcs	M8*20 2pcs	M8*45 4pcs	M4 1pc	M6 8pcs	M5 1pc	4pcs						

3

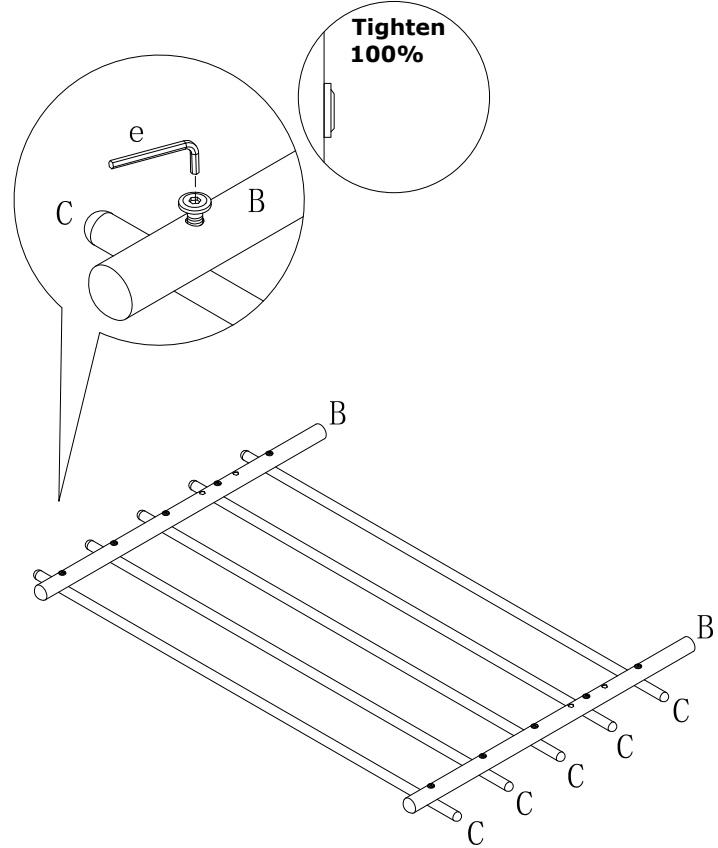
NOTE: PLEASE DO NOT TIGHTEN THE BOLTS UNTIL ALL FIXED



3

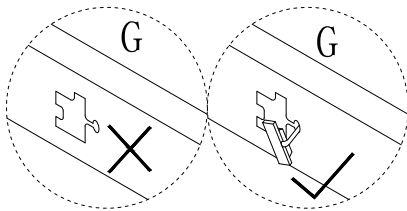


4

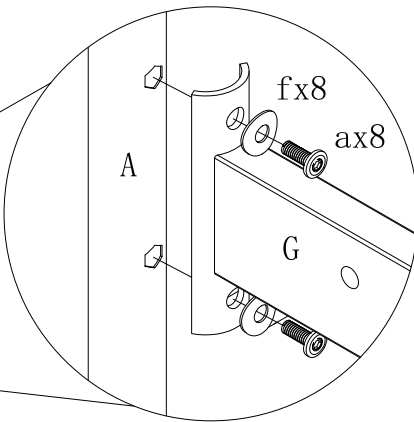
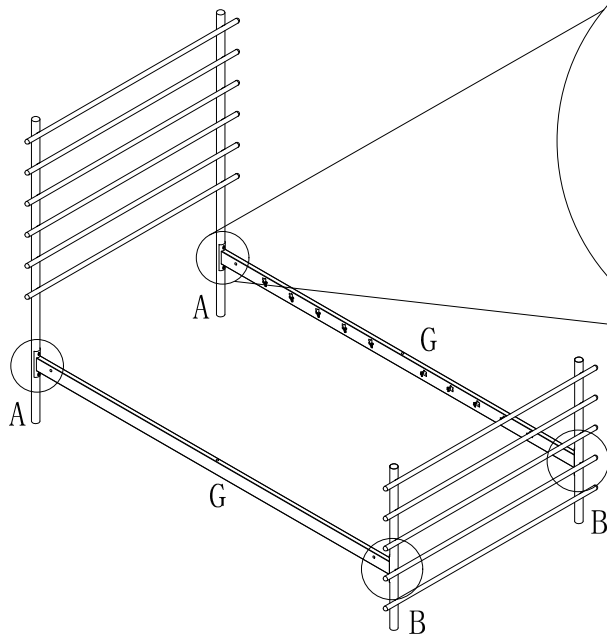


5

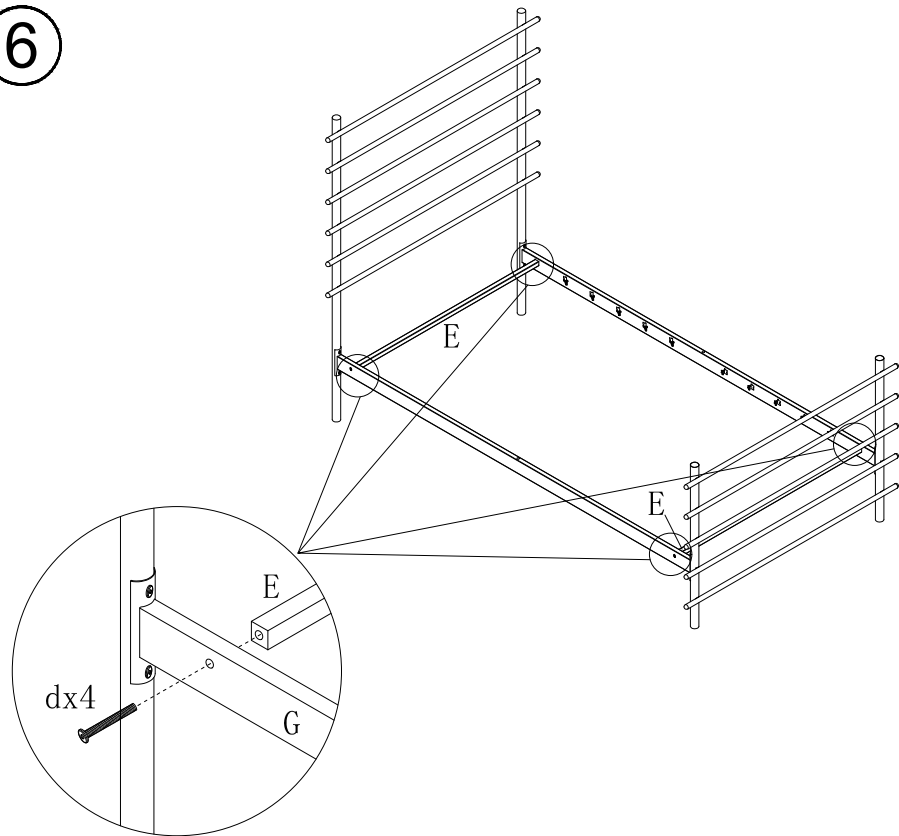
5



Before assembling the mattress tube, please check whether the plastic clip is fastened on the bed beam, as shown in the picture, please fasten it by hand.

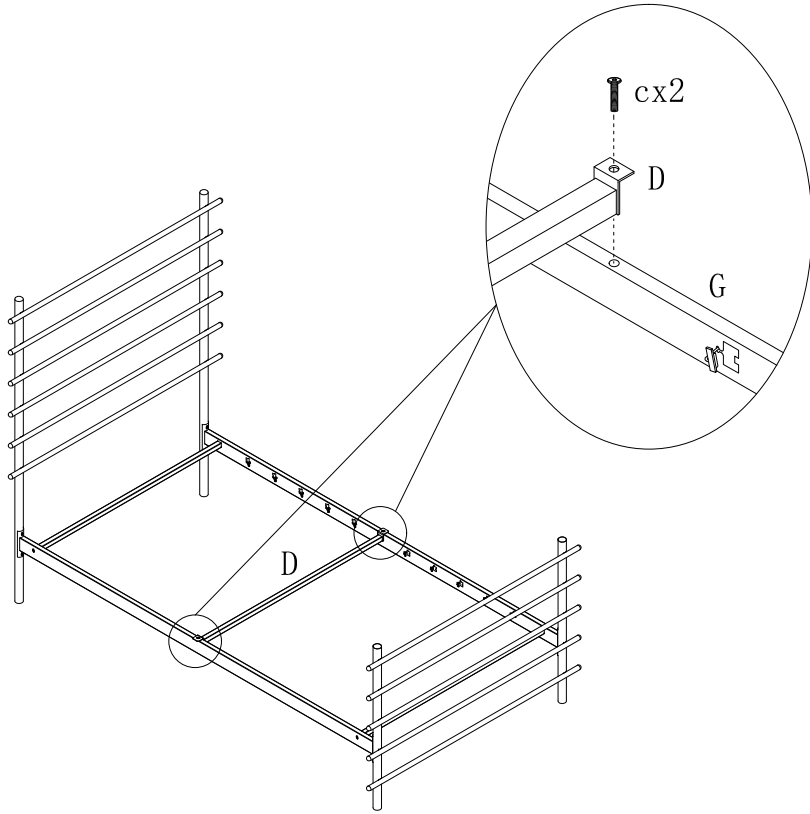


6



6

7



7

8

Note: Please push to the bottom!

