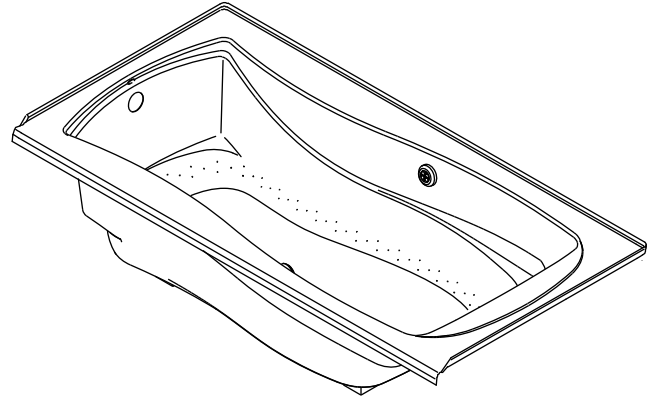


Features

- Acrylic
- Bask™ heated lumbar support with three temperature settings
- 120 BubbleMassage™ airjets
- Blower motor with 300 W heater and electronic user control
- Molded lumbar support and armrests for comfort
- Integral tile flange [K-1257-GLW and K-1257-GRW]
- Drop-in installation [K-1257-GW] or 3-wall alcove installation [K-1257-GLW and K-1257-GRW]
- Reversible drain [K-1257-GW] or left/right drain [K-1257-GLW and K-1257-GRW]
- 72" (1829 mm) x 36" (914 mm) x 20" (508 mm) (Drop-in models)
- 72" (1829 mm) x 36" (914 mm) x 21-1/4" (540 mm) (Integral flange models)

6' BUBBLEMASSAGE™ BATH WITH BASK™ K-1257-GW ALSO K-1257-GLW, K-1257-GRW



Codes/Standards Applicable

Specified model meets or exceeds the following:

- ASTM E162
- ASTM E662
- UL 1795
- CSA B45.5/IAPMO Z124
- ASME A112.19.7/CSA B45.10

Colors/Finishes

- 0: White
- Other: Refer to Price Book for additional colors/finishes
- CP: Polished Chrome
- PB: Vibrant® Polished Brass

Specified Model

Model	Description	Colors/Finishes	
K-1257-GW	6' BubbleMassage bath with Bask – drop-in	<input type="checkbox"/> 0	<input type="checkbox"/> Other_____
K-1257-GLW	6' BubbleMassage bath with Bask – 3-side integral flange, left drain (shown)	<input type="checkbox"/> 0	<input type="checkbox"/> Other_____
K-1257-GRW	6' BubbleMassage bath with Bask – 3-side integral flange, right drain	<input type="checkbox"/> 0	<input type="checkbox"/> Other_____

Recommended Accessories

K-7166-AF	Adjustable pop-up drain	<input type="checkbox"/> CP	<input type="checkbox"/> PB	<input type="checkbox"/> Other_____
-----------	-------------------------	-----------------------------	-----------------------------	-------------------------------------

Optional Accessories

K-1446	Remote blower installation kit	<input type="checkbox"/> NA
--------	--------------------------------	-----------------------------

Product Specification

The acrylic BubbleMassage bath shall be 72" (1829 mm) in length, 36" (914 mm) in width, and 20" (508 mm) in height (drop-in models), or 72" (1829 mm) in length, 36" (914 mm) in width, and 21-1/4" (540 mm) (integral flange models). Bath shall feature Bask heated surface with three temperature settings. Bath shall have 120 BubbleMassage airjets, blower motor with 300 W heater and electronic user control, and molded lumbar support for comfort. Bath shall have integral tile flange [K-1257-GLW and K-1257-GRW]. Bath shall be for drop-in installation [K-1257-GW] or 3-wall alcove installation [K-1257-GLW and K-1257-GRW]. Bath shall have reversible drain [K-1257-GW] or left/right drain [K-1257-GLW and K-1257-GRW]. BubbleMassage bath shall be Kohler Model K-1257-____-____.

MARIPOSA®

Technical Information

Fixture*:	
Basin area:	
Bathing well	50" (1270 mm) x 24" (610 mm)
Top area	65" (1651 mm) x 27" (686 mm)
Weight	108 lbs (49 kg)
To overflow:	
Water depth	14" (356 mm)
Capacity	72 gal (272.5 L)
* Approximate measurements for comparison only.	

Drop-in cutout	70" (1778 mm) x 34" (864 mm)
----------------	------------------------------

	V	Hz	A
Blower motor	120	60	10
Heated surface	120	60	.5

Required Electrical Service

Dedicated circuit required, protected with Class A Ground-Fault Circuit-Interrupter (GFCI).

Blower motor/Heated surface	120 V, 15 A, 60 Hz
-----------------------------	--------------------

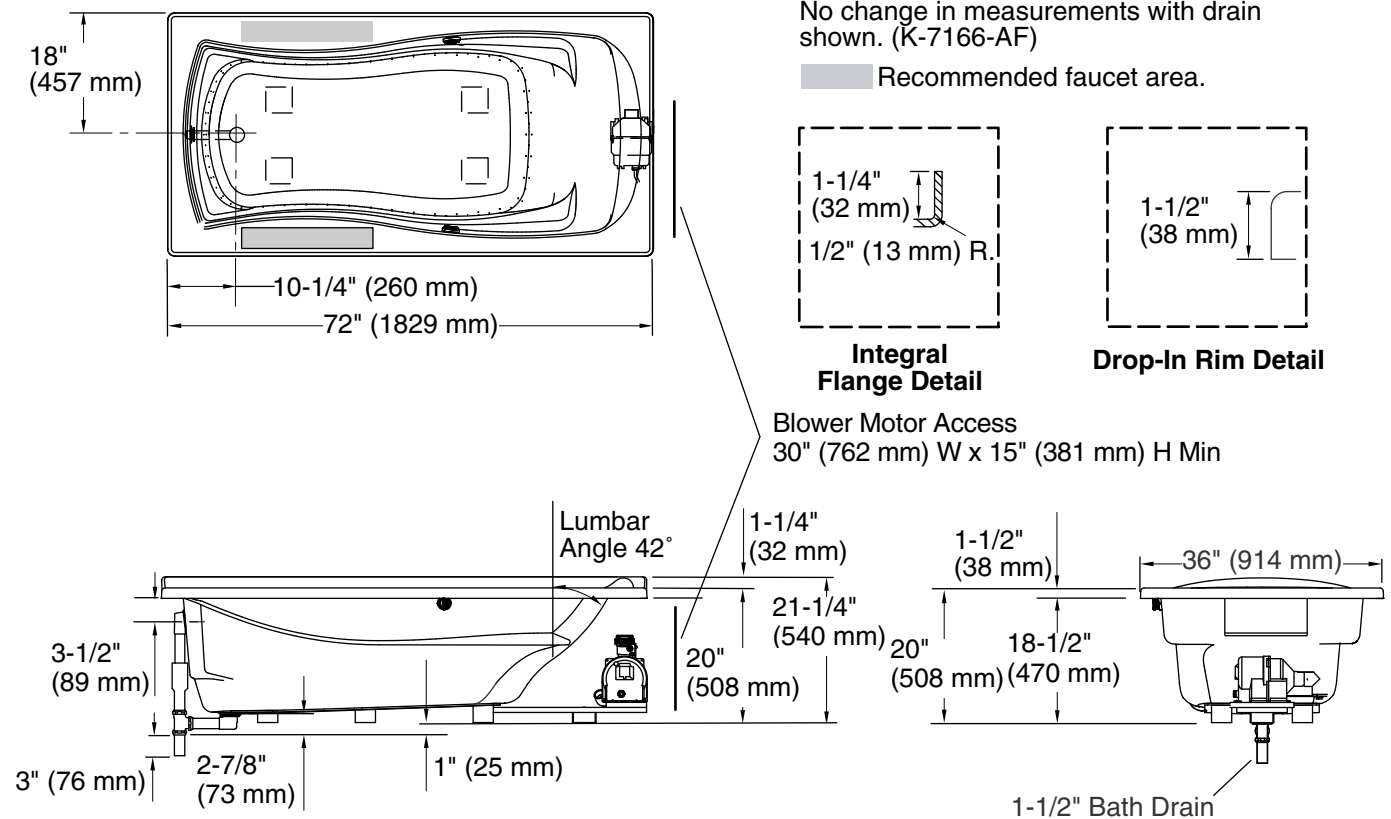
Installation Notes

Install this product according to the installation guide.

NOTICE: Relocation of the blower motor and check valve is optional. Mount the blower motor and check valve together; do not move one without the other. Two access panels are required for blower motor and check valve relocation. Provide one access panel at the blower motor/control location and another at the heated surface location.

Floor support under the bath must provide for a minimum of 41 lbs/square foot (198 kg/square meter) loading.

Locate a GFCI-protected 120 V, 15 A, grounded duplex electrical outlet within 24" (610 mm) of the blower motor.



Product Diagram