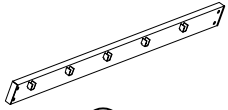


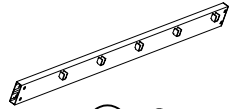
Platform Bed

Set-up Instruction

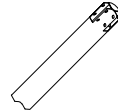
If you have any questions about the product, please don't hesitate to contact us. You can reach us through your order. Thanks for your support!



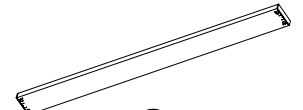
③*2



④*2



⑤*4



⑥*2



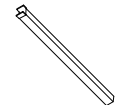
⑧*1



⑨*10



⑬*2



⑮*2



M8*32
A*16PCS



M8*27
B*8PCS



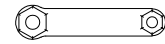
M8*35
C*2PCS



M8
D*16PCS



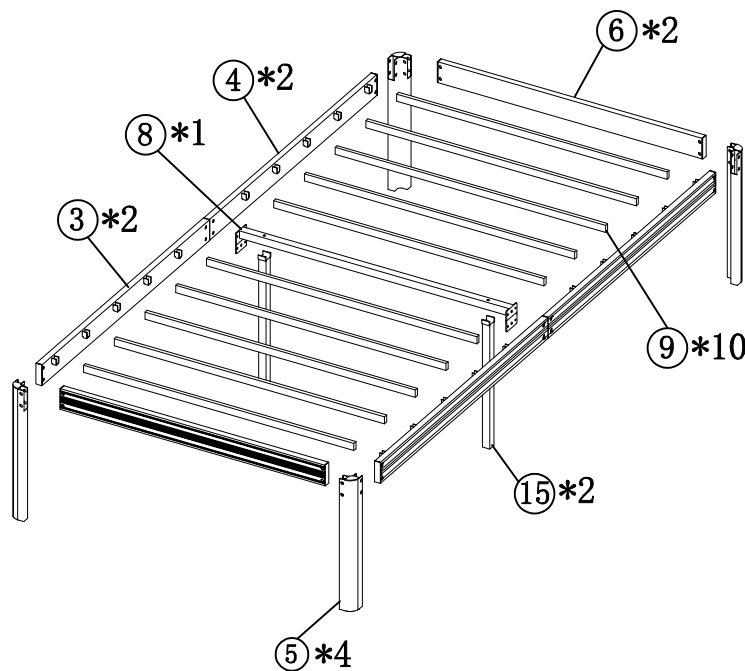
E*1PC



F*1PC

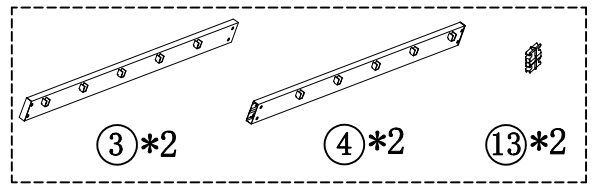
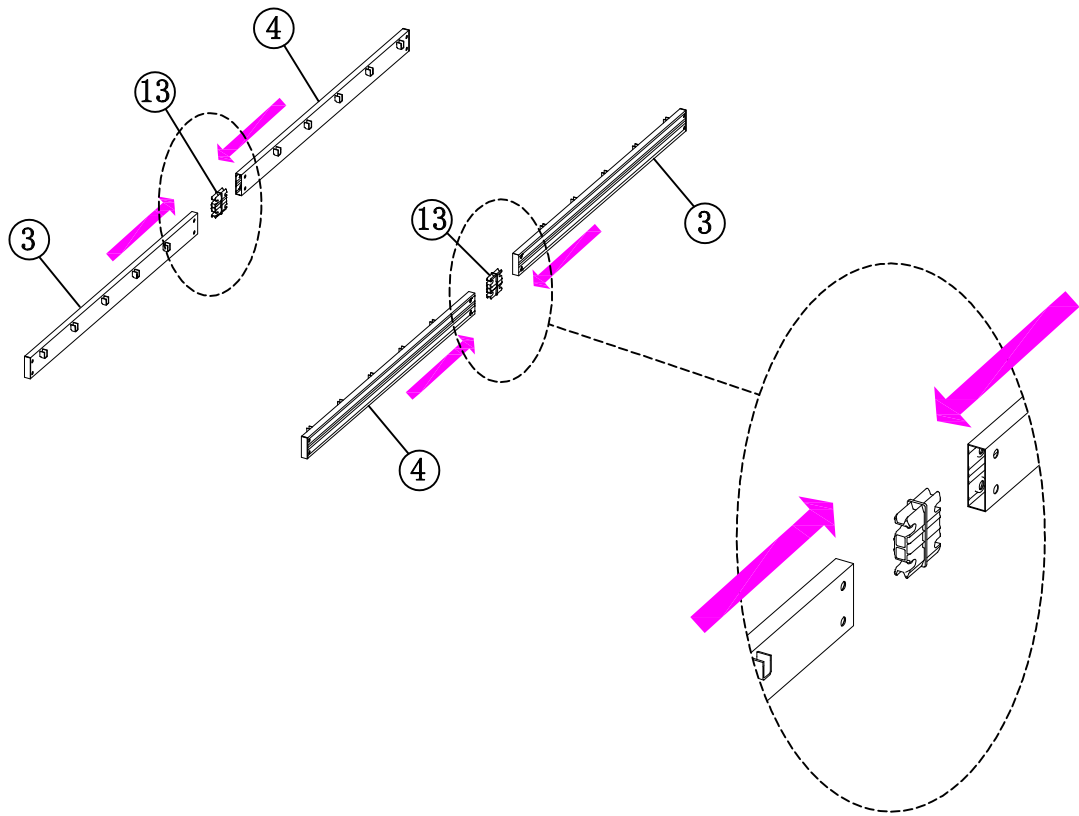


spare part

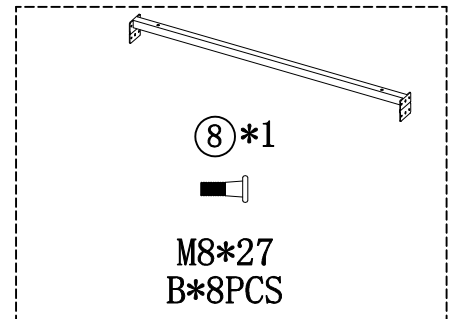
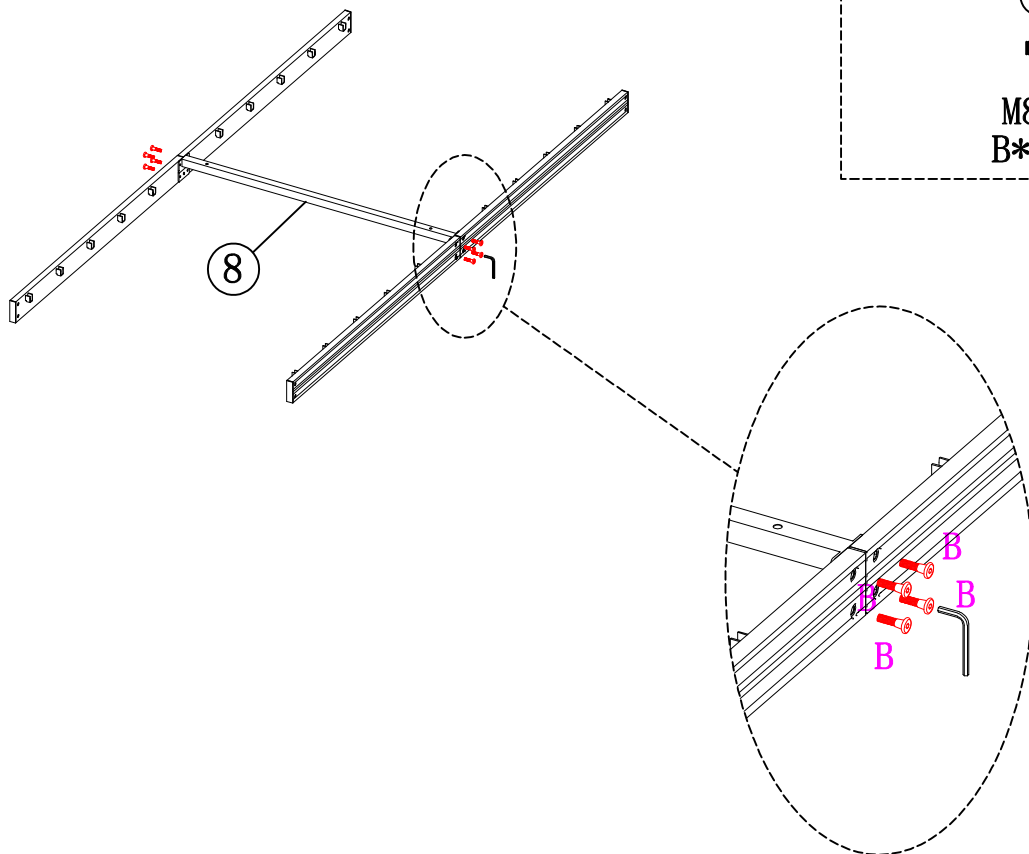


Size: Twin/TwinXL

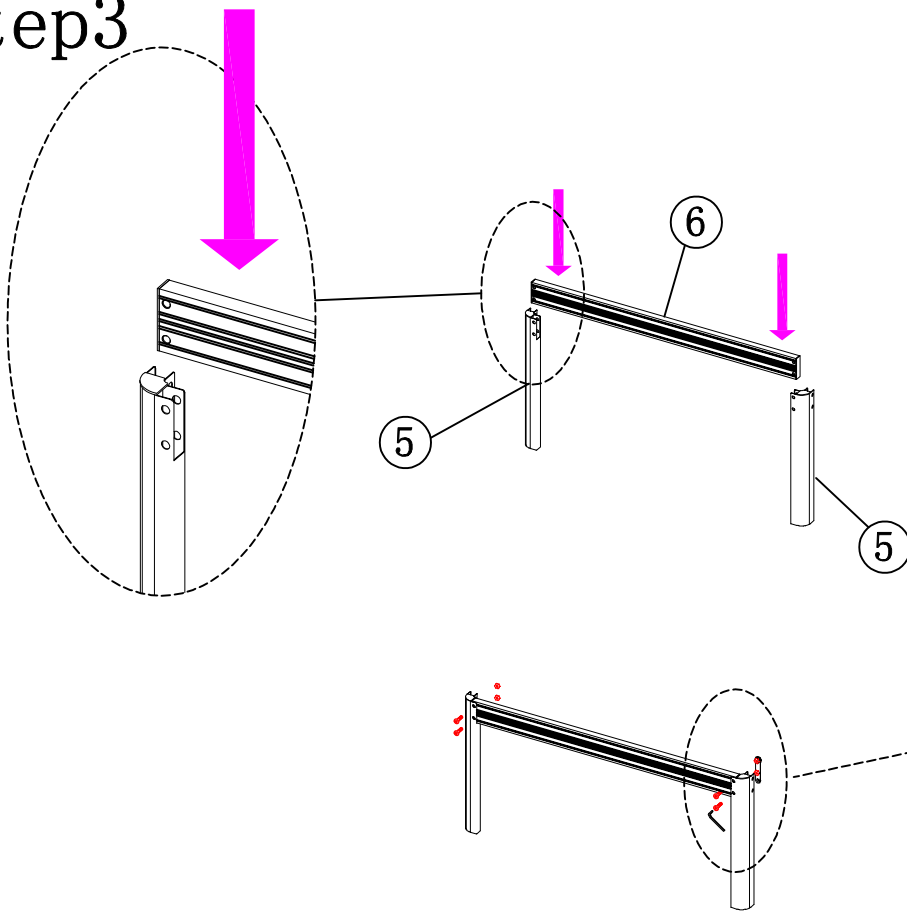
Step1



Step2

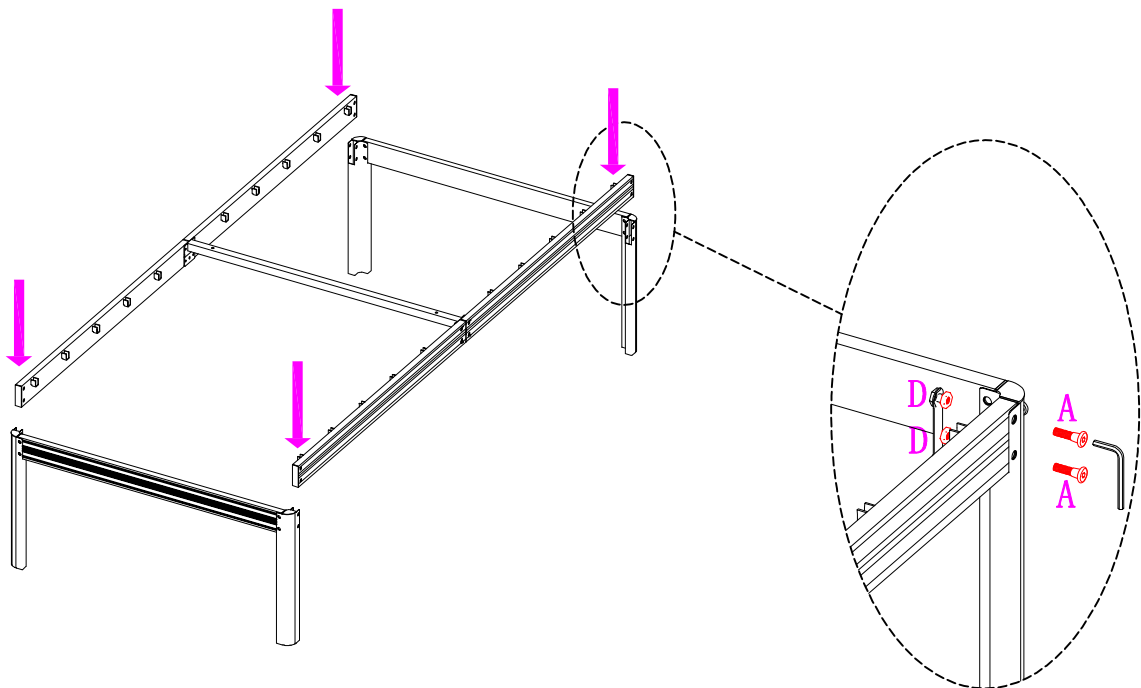


Step3



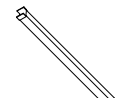
⑤ *4	⑥ *2
 M8*32 A*8PCS	 M8 D*8PCS

Step4



 M8*32 A*8PCS	 M8 D*8PCS
---------------------	------------------

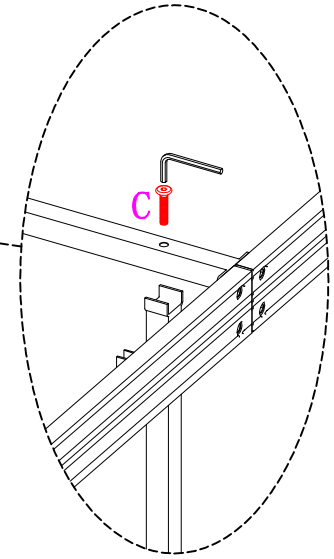
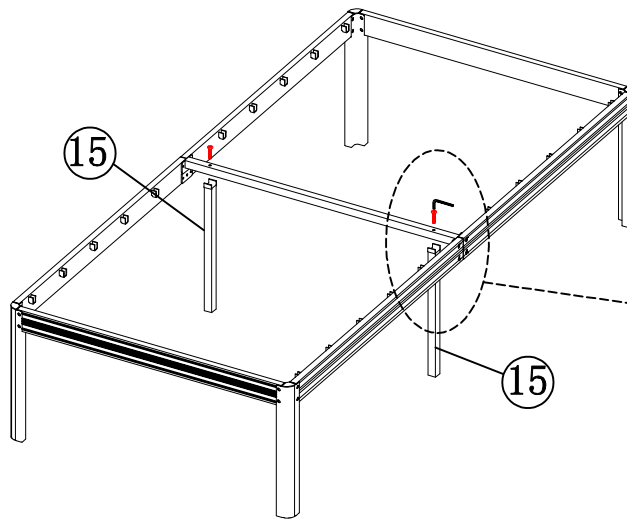
Step5



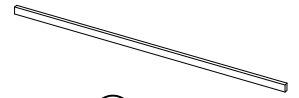
⑮*2



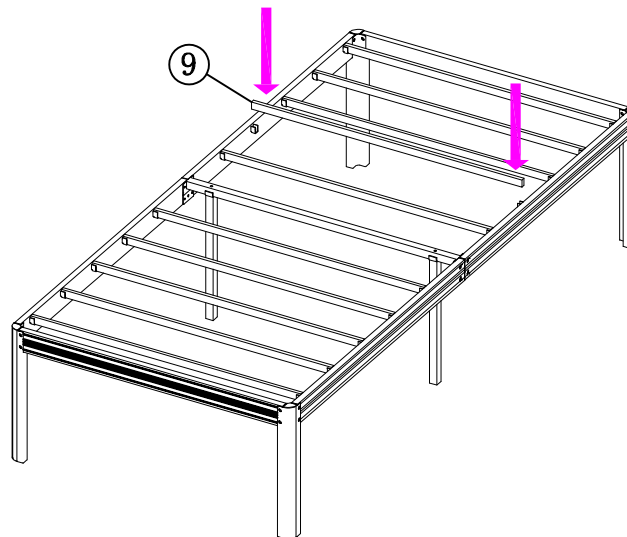
M8*35
C*2PCS



Step6



⑨*10



In the last step. please make sure all the screws are tightened.