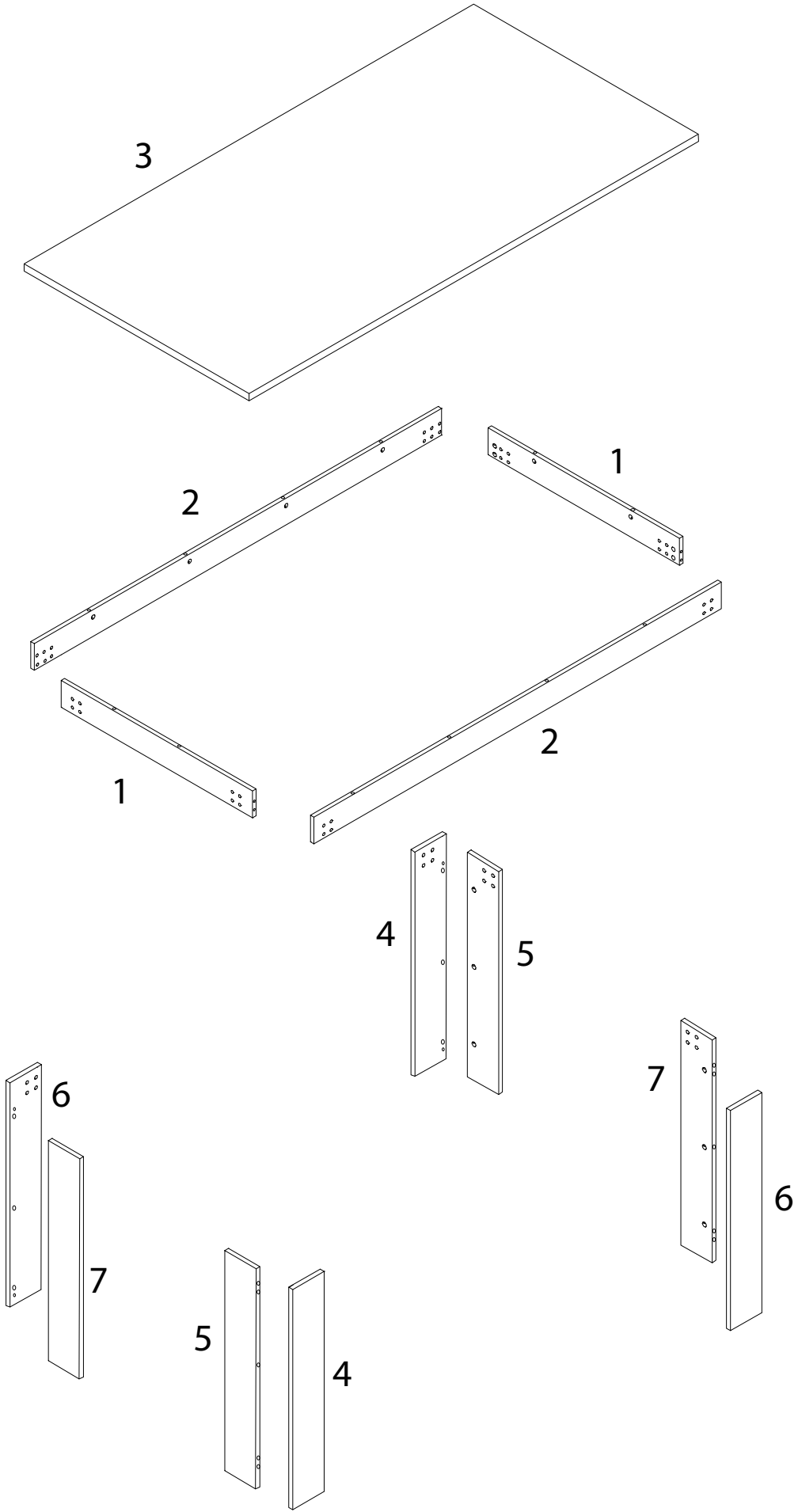
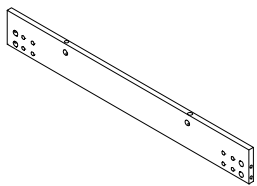


Assembly instructions for step 1/7:

- Tools:** A screwdriver is required. A power drill is not required (indicated by a diagonal line through the drill icon).
- Warning:** A warning triangle with an exclamation mark is present.
- Duration:** The estimated assembly time is 40 minutes, represented by a clock icon.
- Personnel:** Two people are required for assembly, represented by a person icon and the number 2.
- Diagram:** A diagram shows a rectangular block being placed on a textured surface. A second diagram shows the block being secured with a screw, with a diagonal line through the screw icon indicating it is not required.

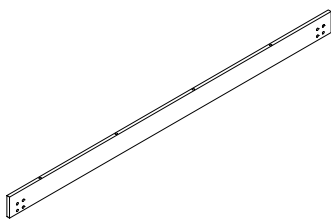


1



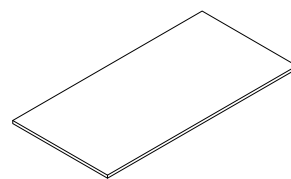
x 2

2



x 2

3



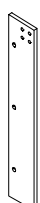
x 1

4



x 2

5



x 2

6



x 2

7



x 2

A



x 32

B



x 32

C



x 8

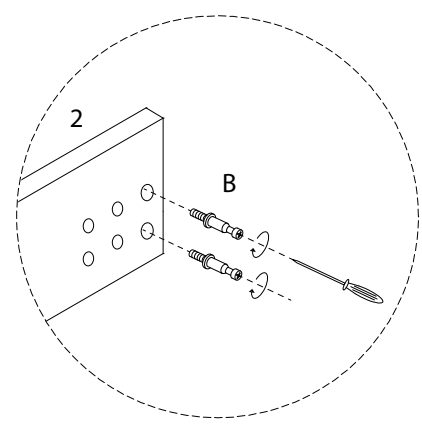
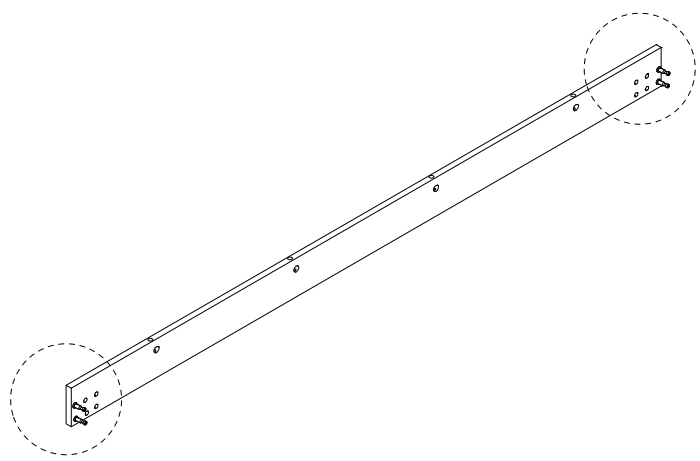
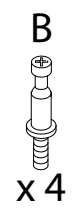
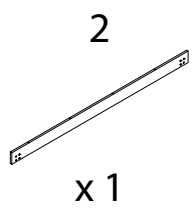
D



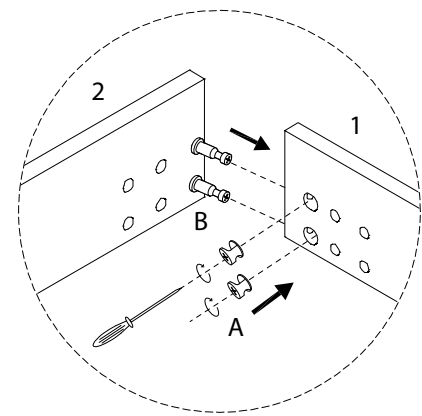
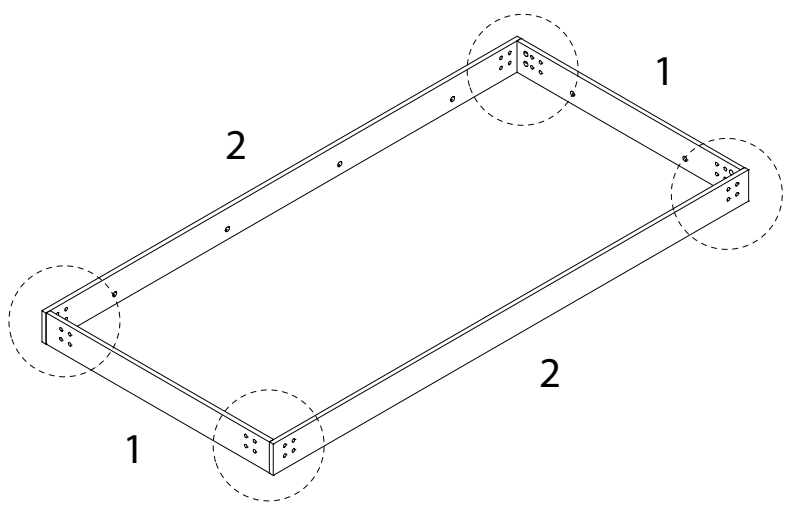
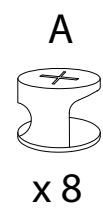
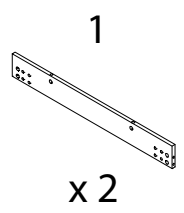
M6
x
25

x 32

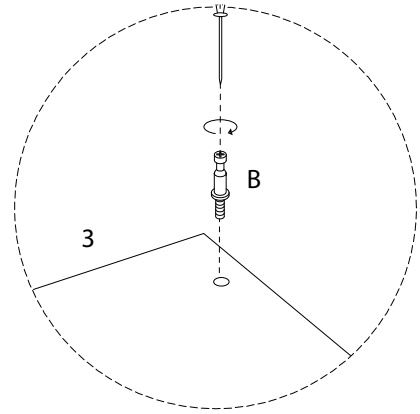
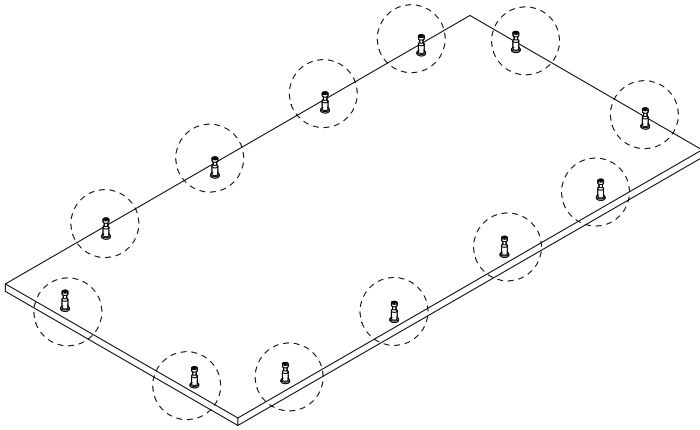
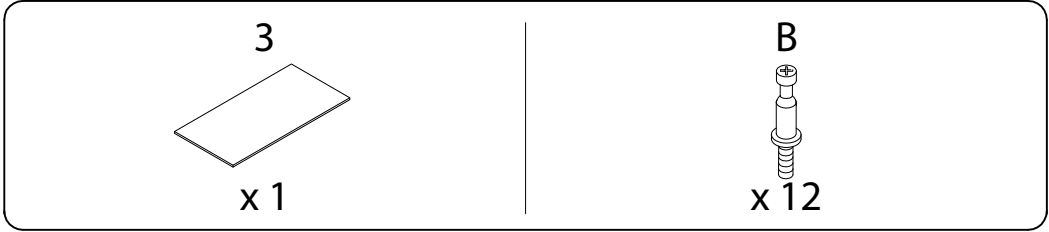
1 x 2



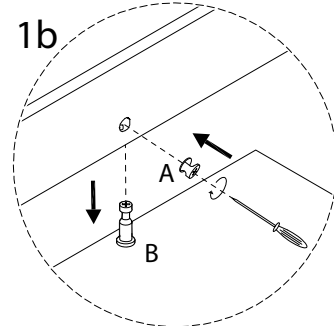
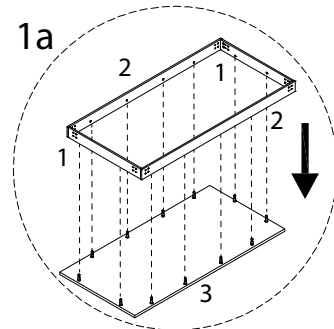
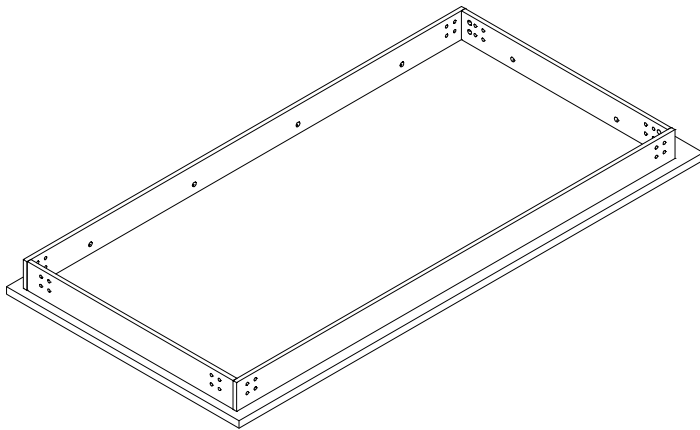
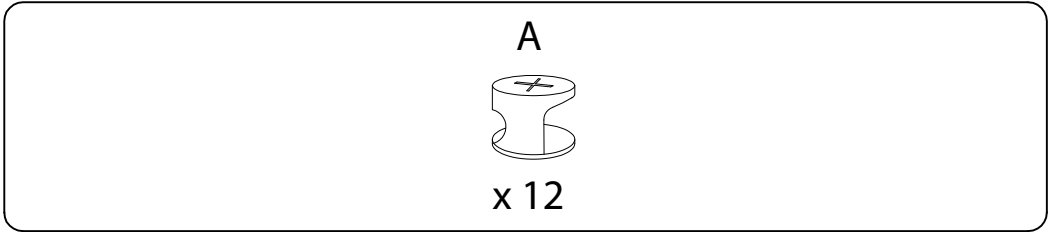
2



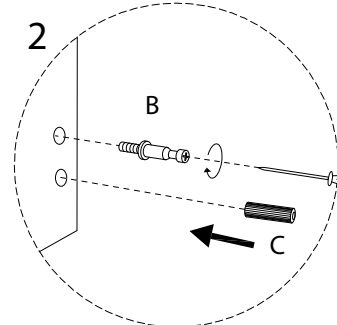
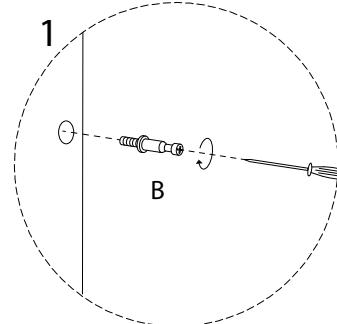
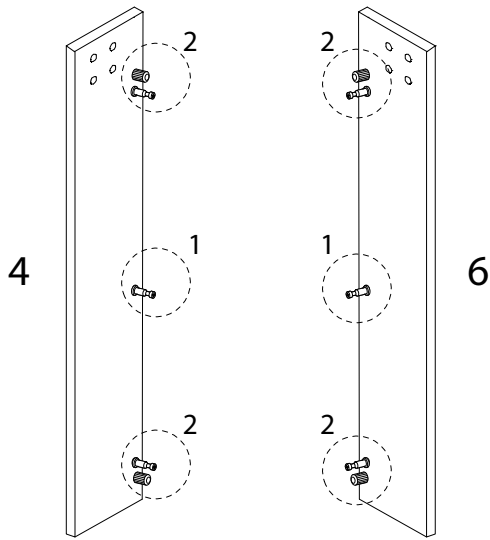
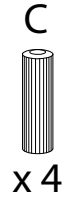
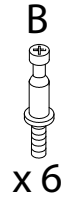
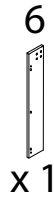
3



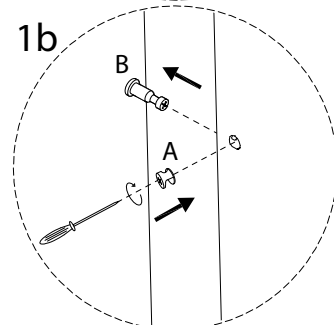
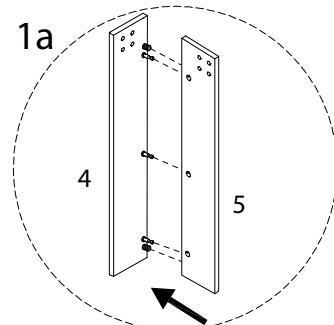
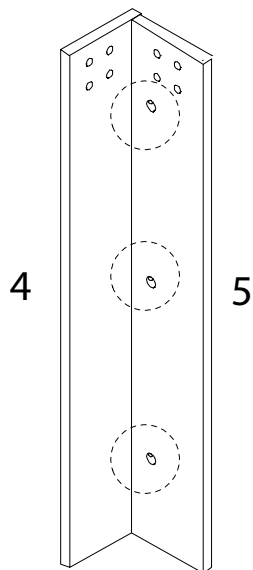
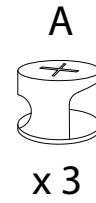
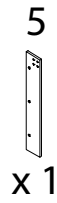
4



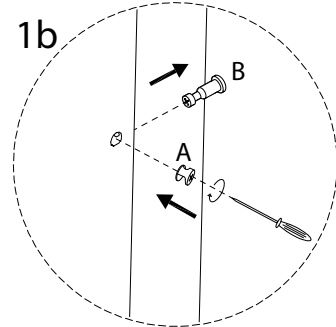
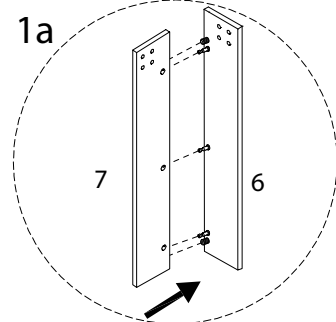
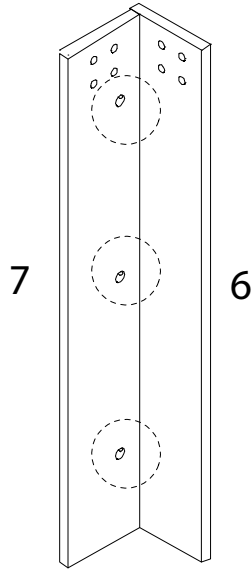
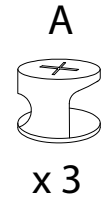
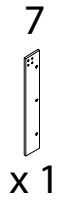
5 x 2



6 x 2



7 x 2



8

