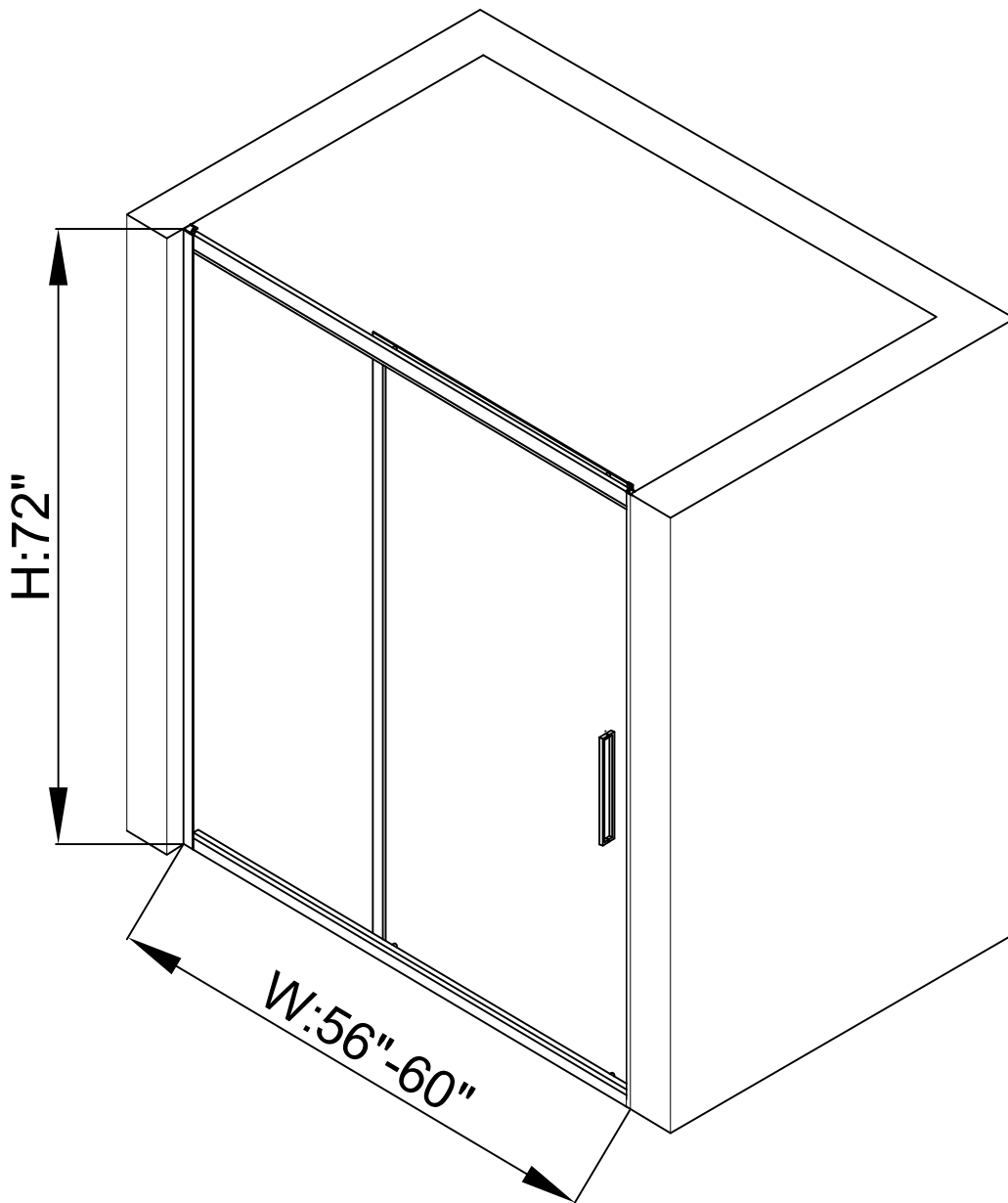
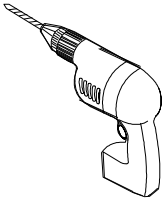


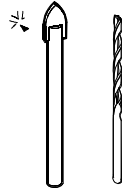
INSTALLATION MANUAL - INSTALLATION GUIDE



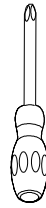
REQUIRED TOOLS



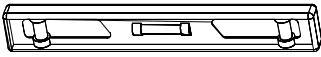
DRILL
PERCEUSE



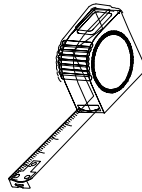
1/4" & 1/8" DRILL BITS
MÈCHES 1/4" & 1/8"



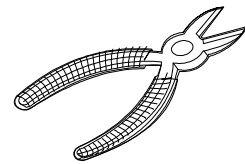
SCREWDRIVER
TOURNEVIS



LEVEL
NIVEAU



TAPE MEASURE
RUBAN À MESURER



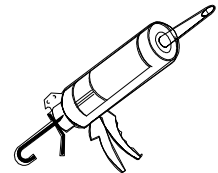
CUTTING PLIER
PINCE COUPANTE



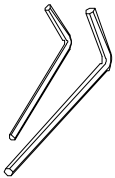
PENCIL
CRAYON



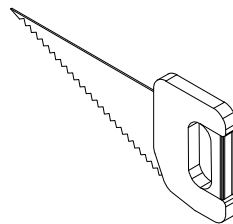
MALLET
MAILLET



SILICONE
SCELLANT



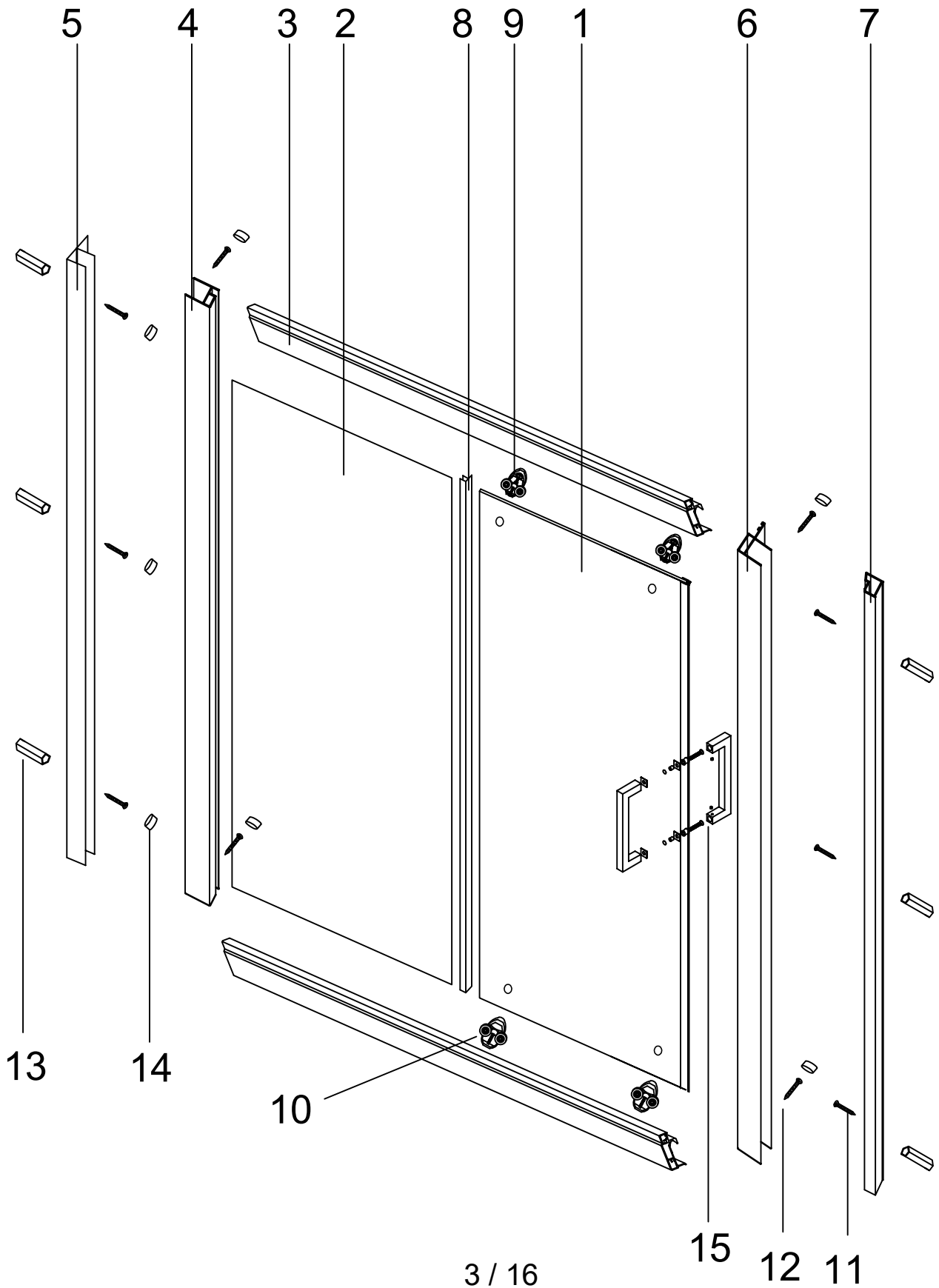
ALLEN KEY
2mm&2.5mm&4mm&5mm



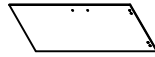













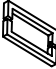
Saw
Saw

*** Use a 1/4" drill bit for ceramic when drilling into ceramic tiles**

MATERIAL'S LIST



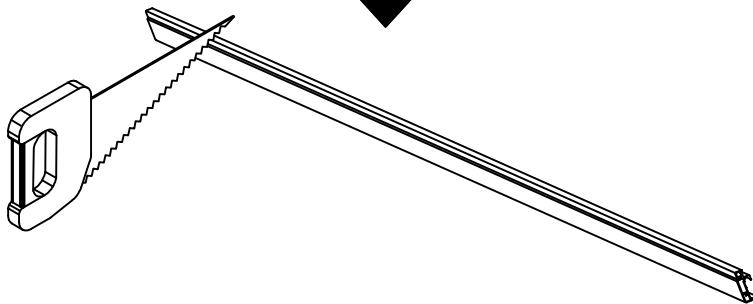
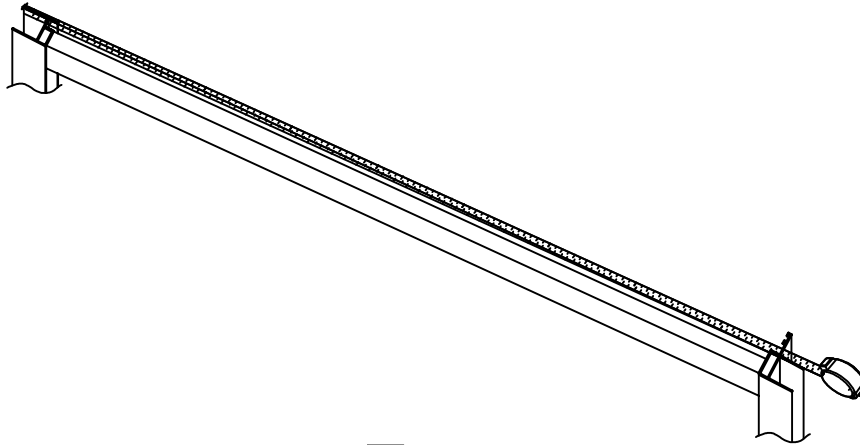
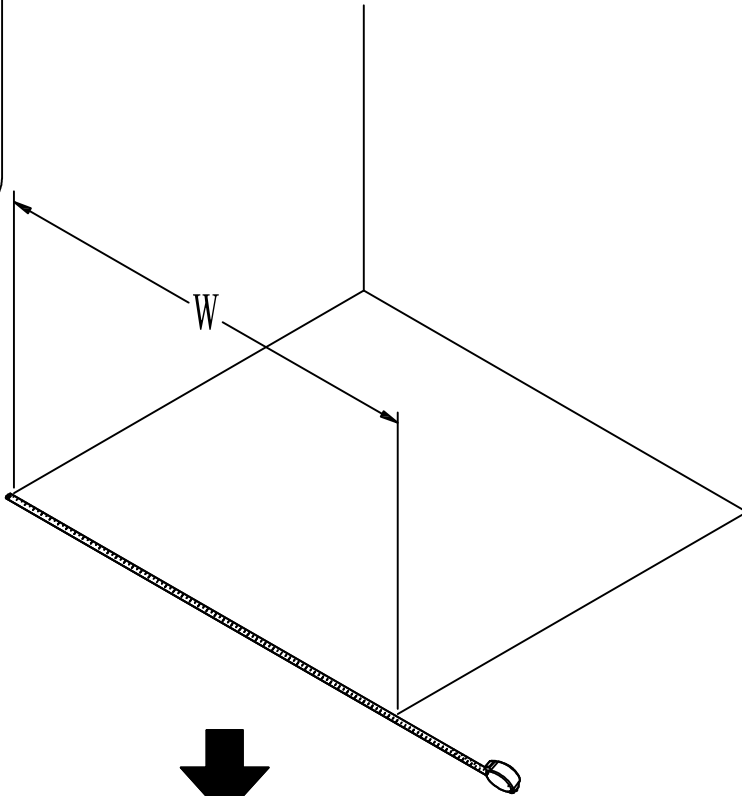
MATERIAL'S LIST

ITEM	NAME	QTY	PICTURE
1	DOOR GLASS	1	
2	FIX GLASS	1	
3	Guide rails	2	
4	Fixed glass frame	1	
5	Wall material	1	
6	Magnetic stripe border	1	
7	Door glass wall material	1	
8	Waterproof seal strip	1	
9	Up wheel	2	
10	Scroll wheel	2	
11	4*25 screws	14	
12	4*10 screws	4	
13	Expansion beads	6	
14	Decorative cover	6	
15	HANDLE	1	
16			
17			
18			
19			
20			
21			

Note: The installation requires materials according to the list quantity some materials will be reserved more.

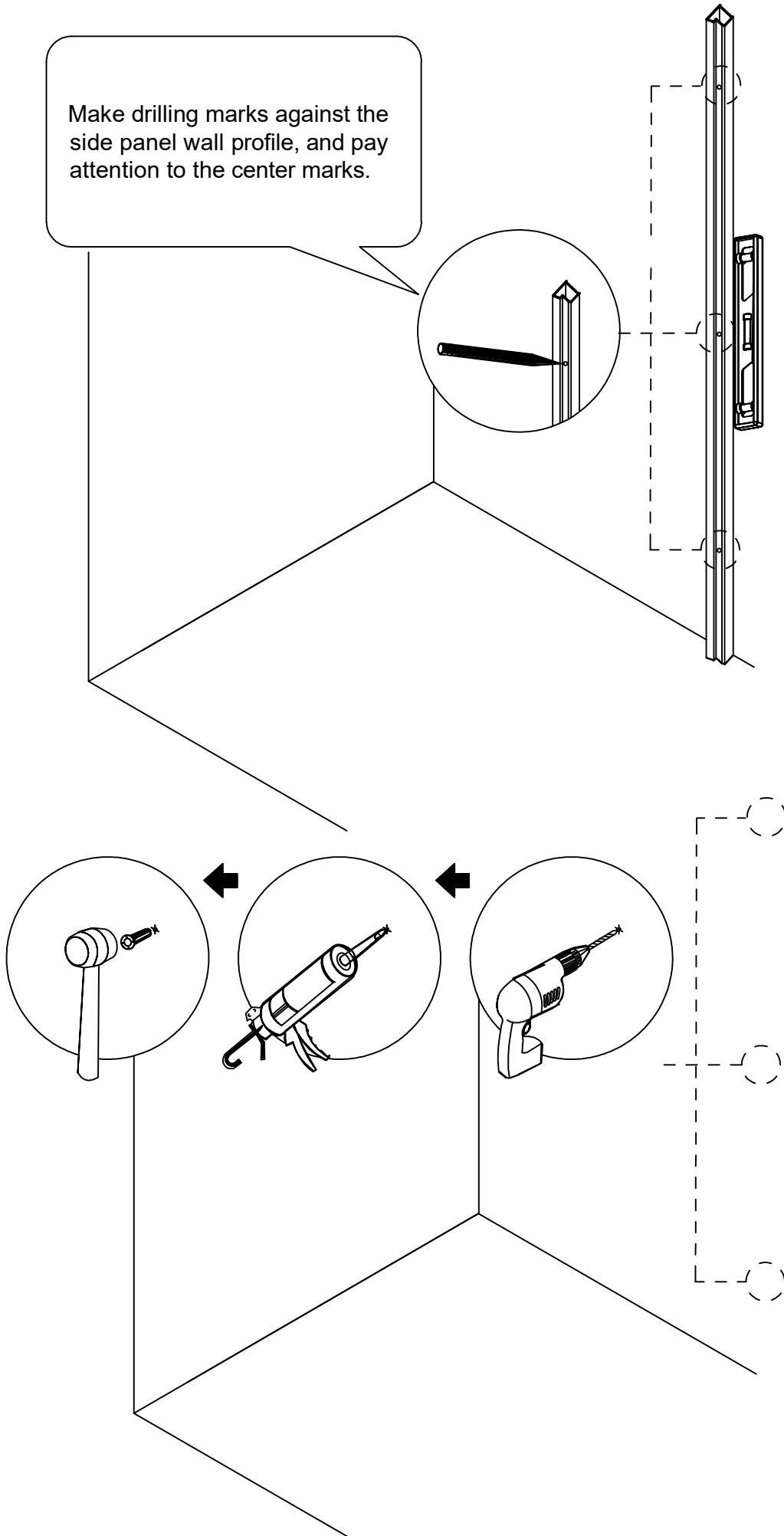
Measure from wall to wall and cut the upper and lower guide tracks

Measure the size from wall to wall dimensions against cutting guides.



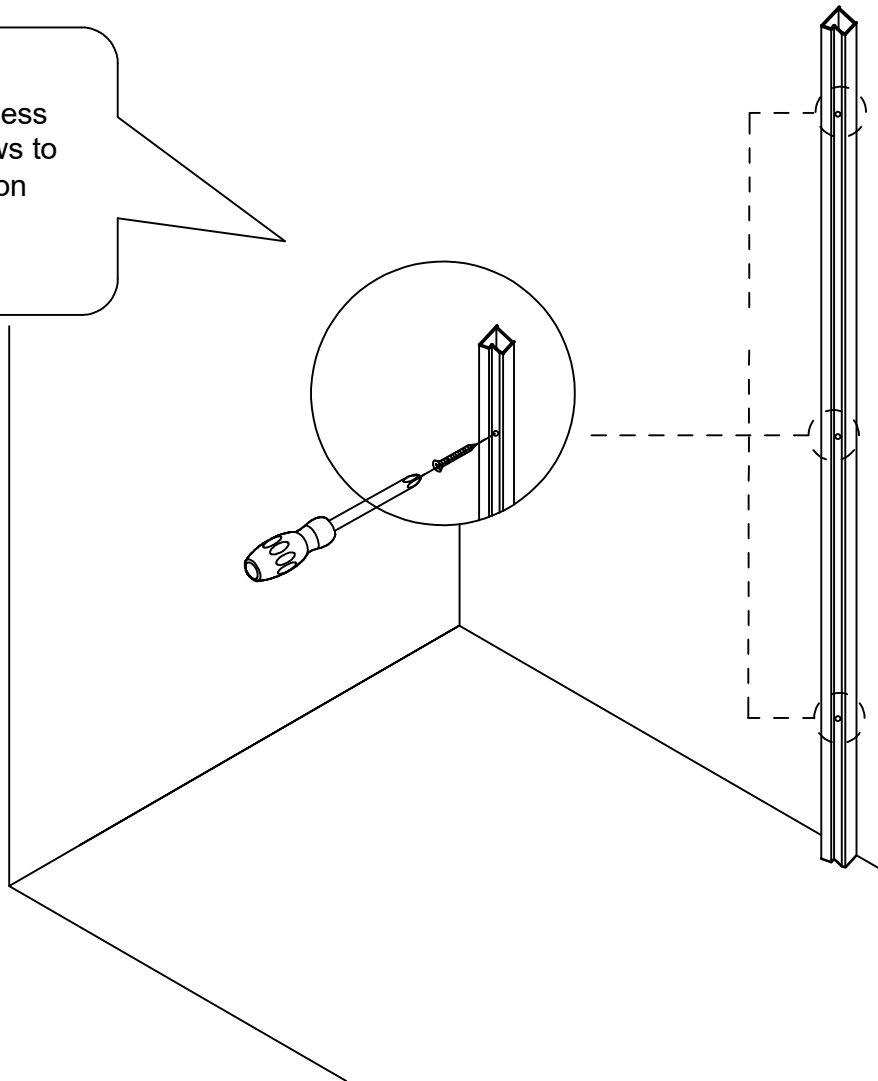
STEP-1: Mark wall profile holes and punch holes.

Make drilling marks against the side panel wall profile, and pay attention to the center marks.

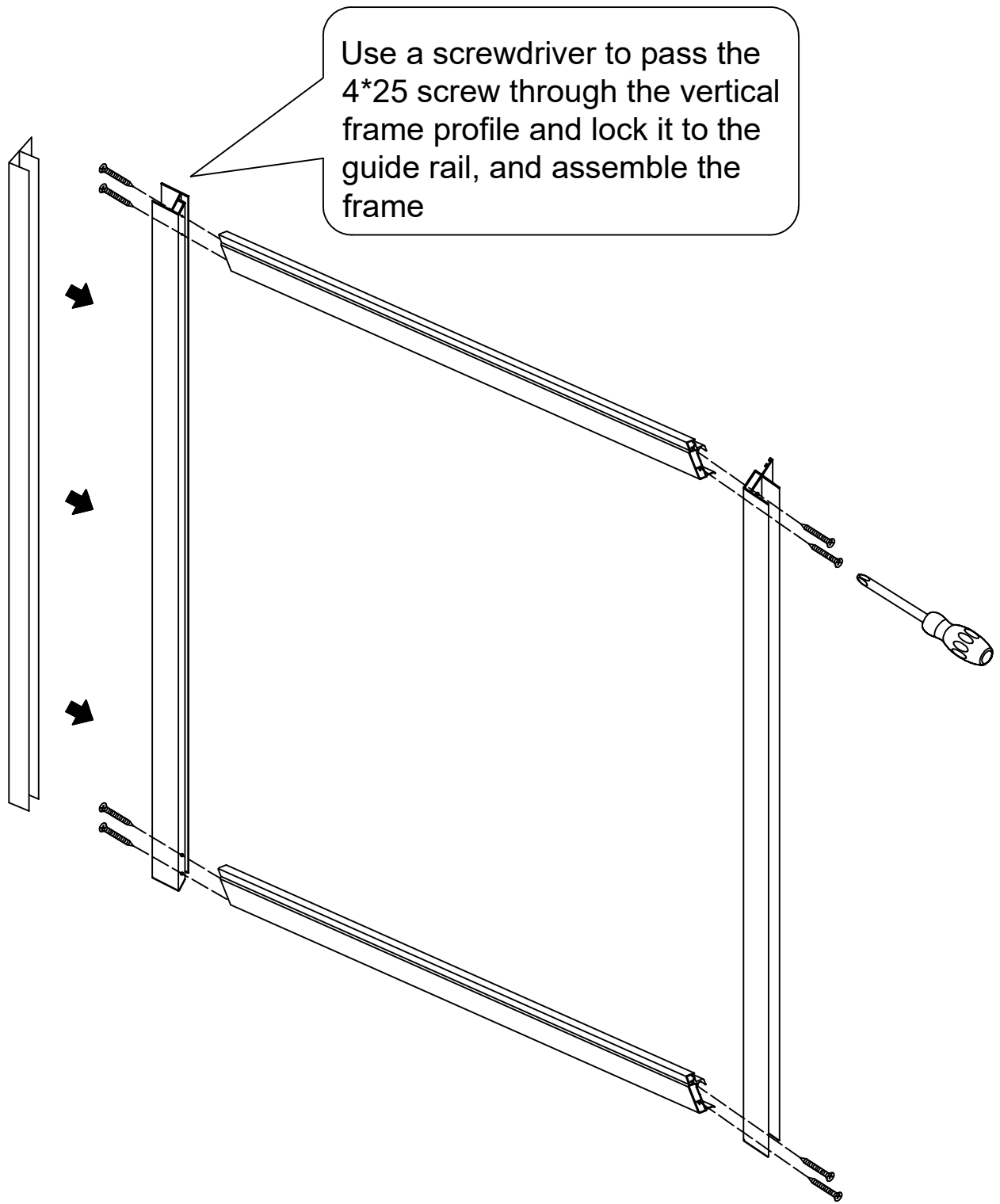


STEP-2: Install the wall profile

Use ST-4*25 stainless steel tapping screws to fix the side profile on the wall.

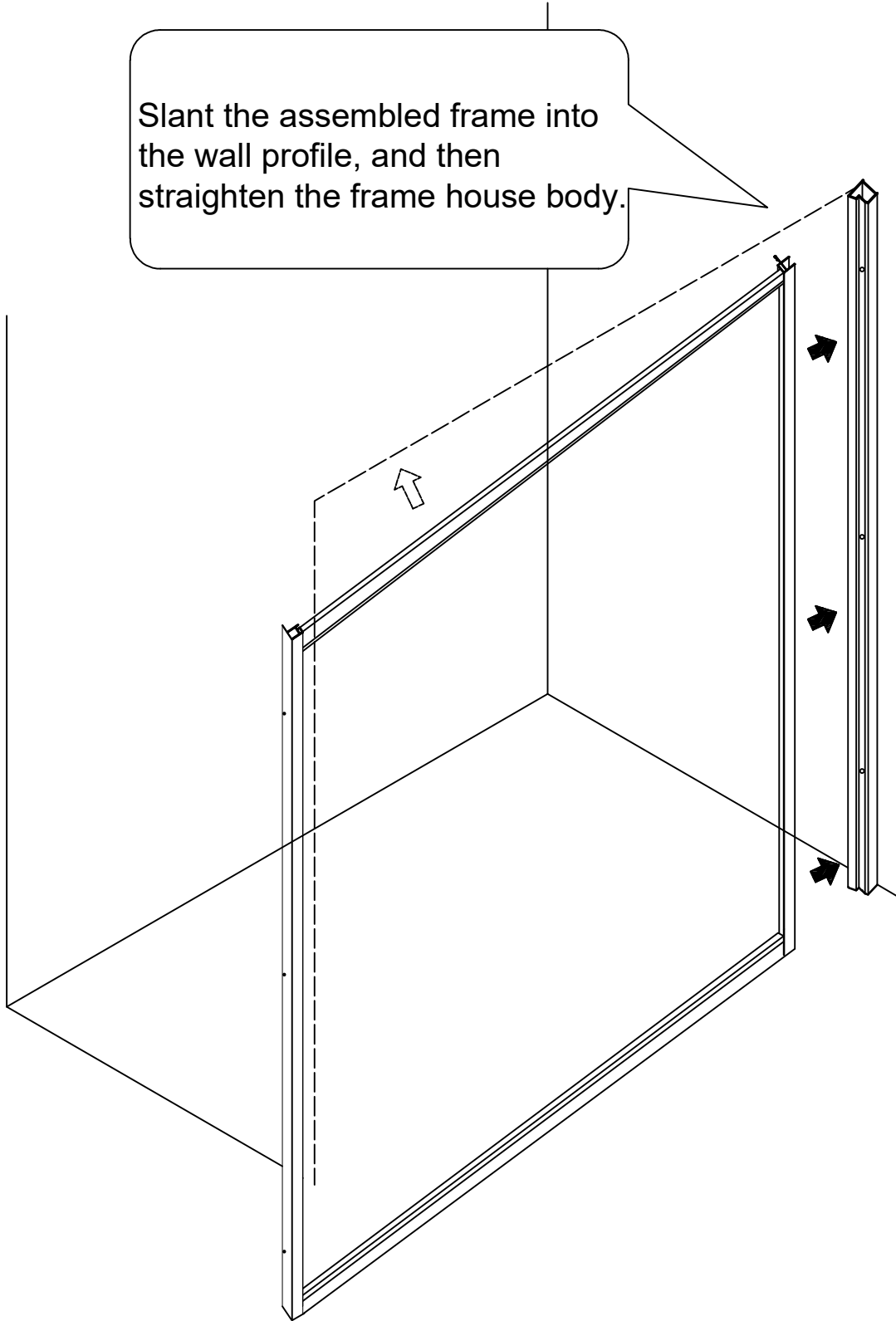


STEP-3: Assemble the four-sided frame

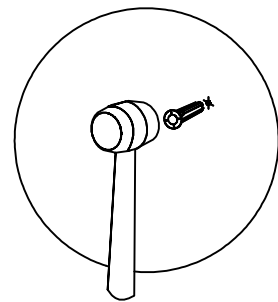
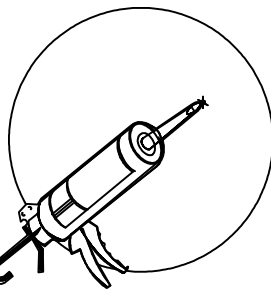
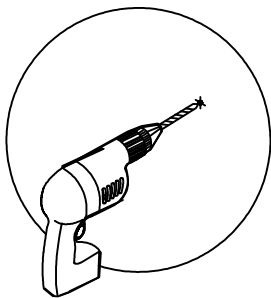
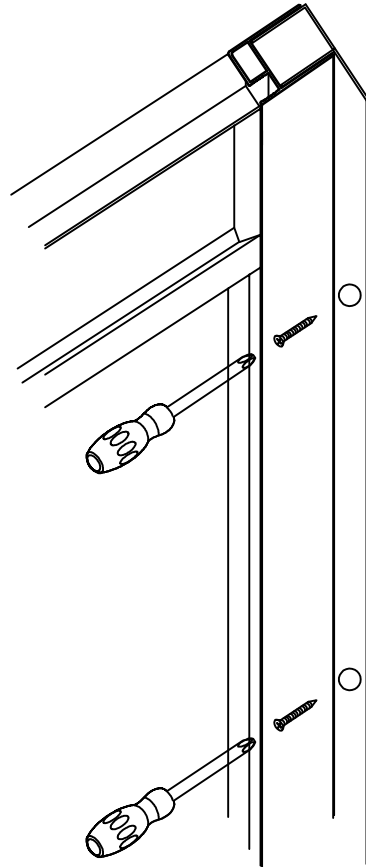
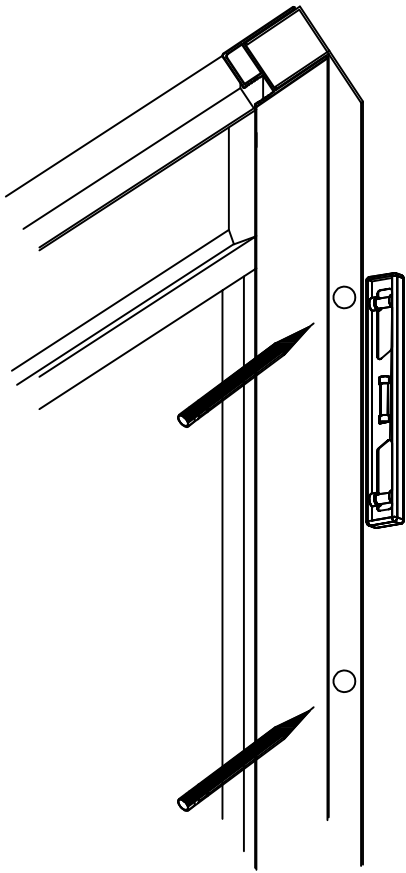


Step 4: Install the framework.

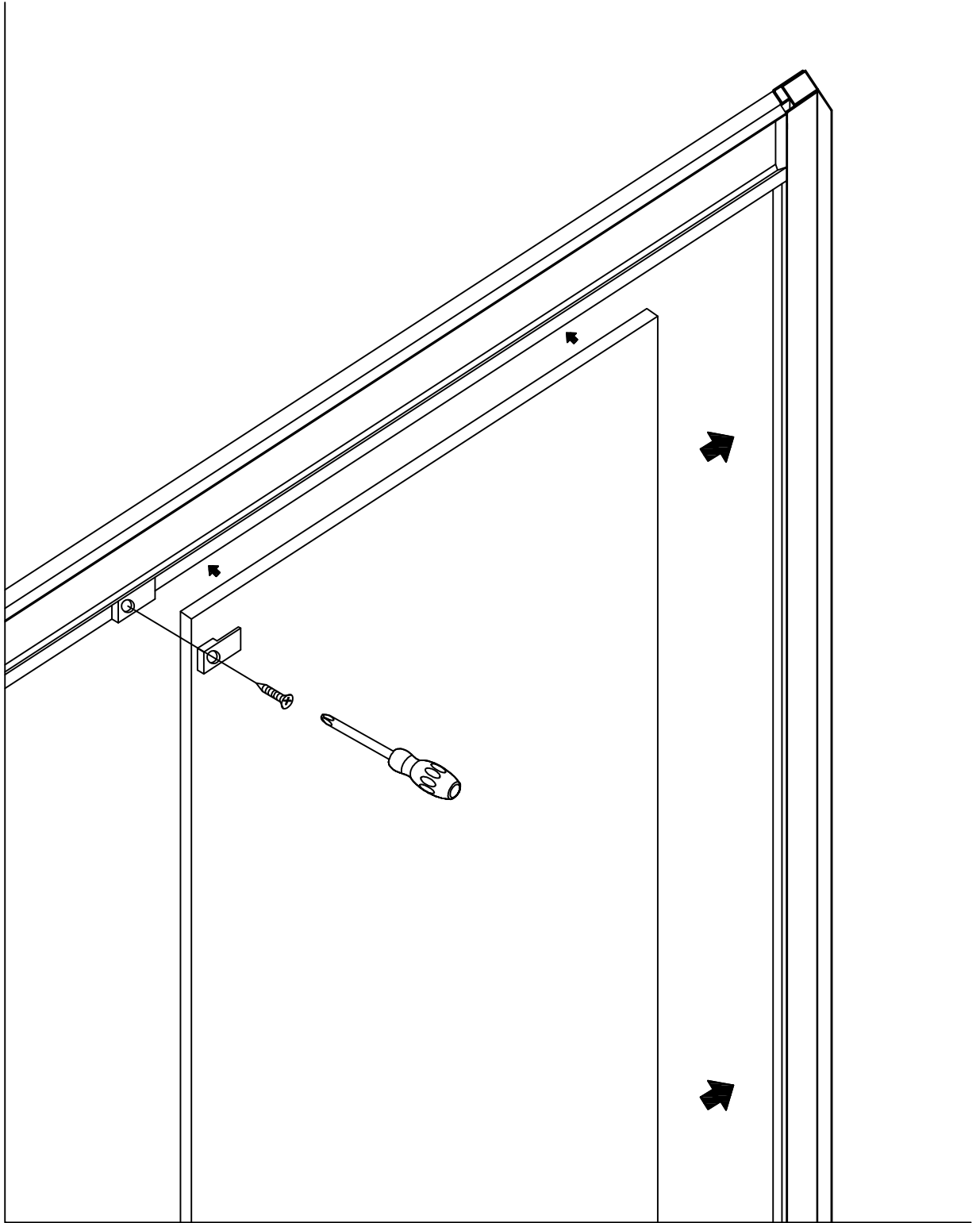
Slant the assembled frame into the wall profile, and then straighten the frame house body.



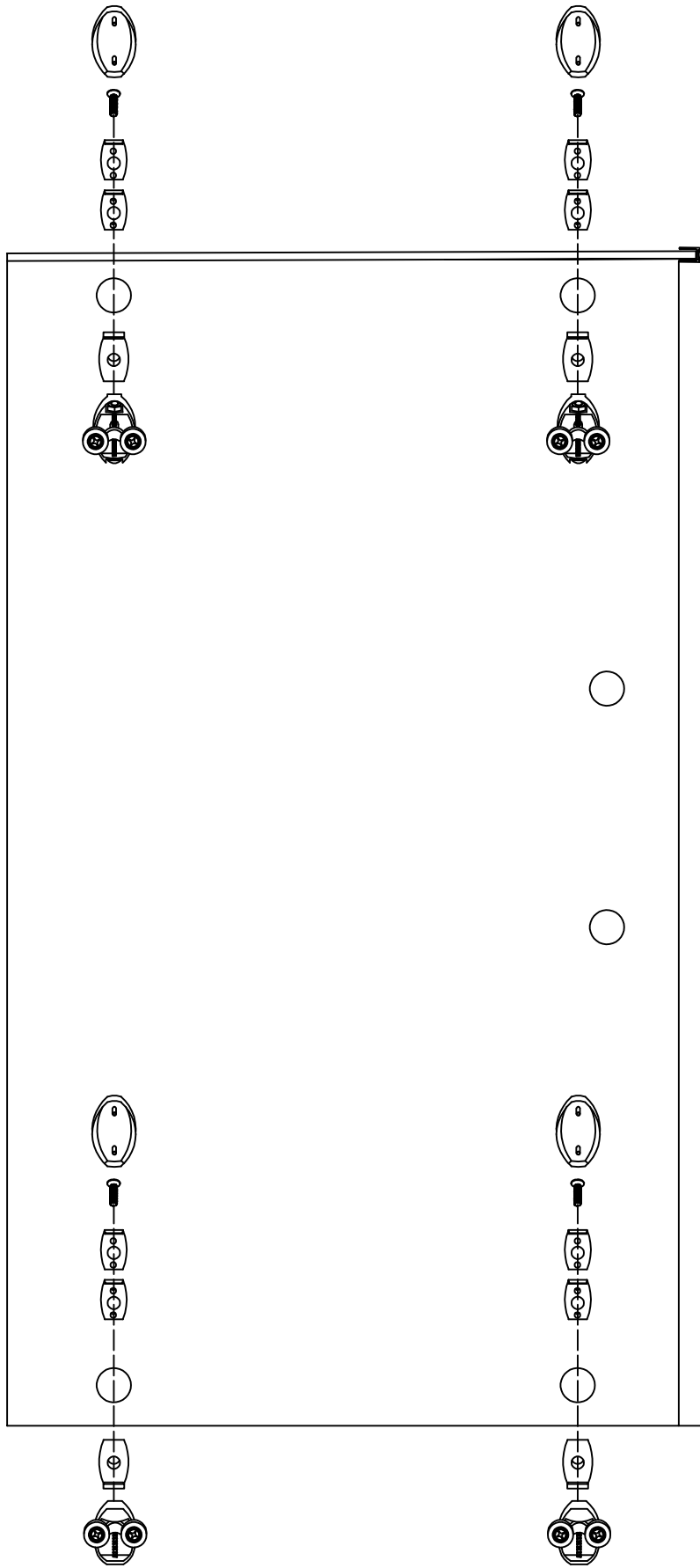
Step 5: Install and secure the integral frame



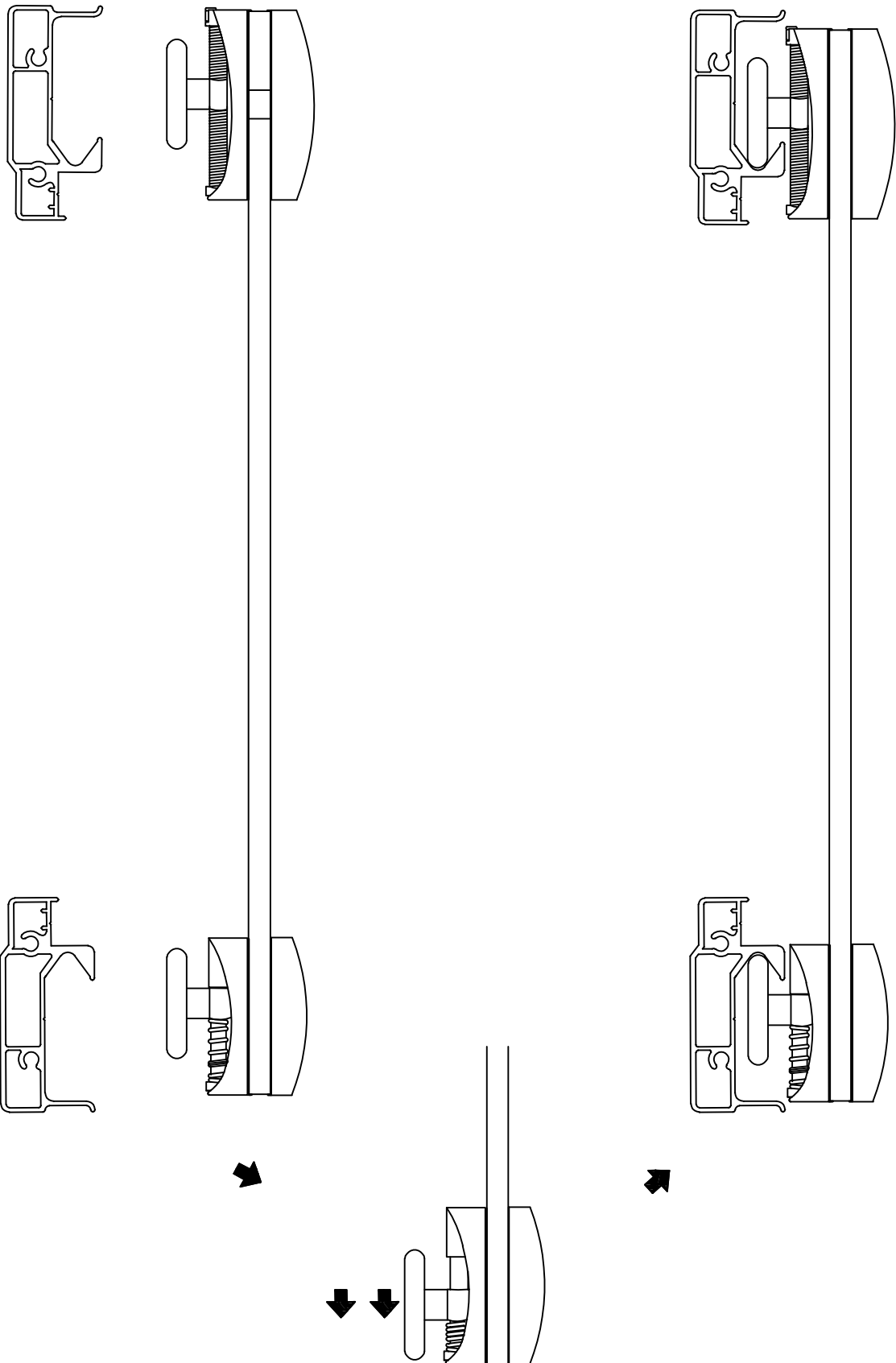
Step 6: Install fixed glass.



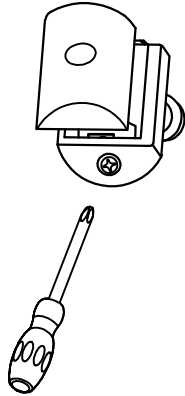
Step 7: Door glass installation wheels



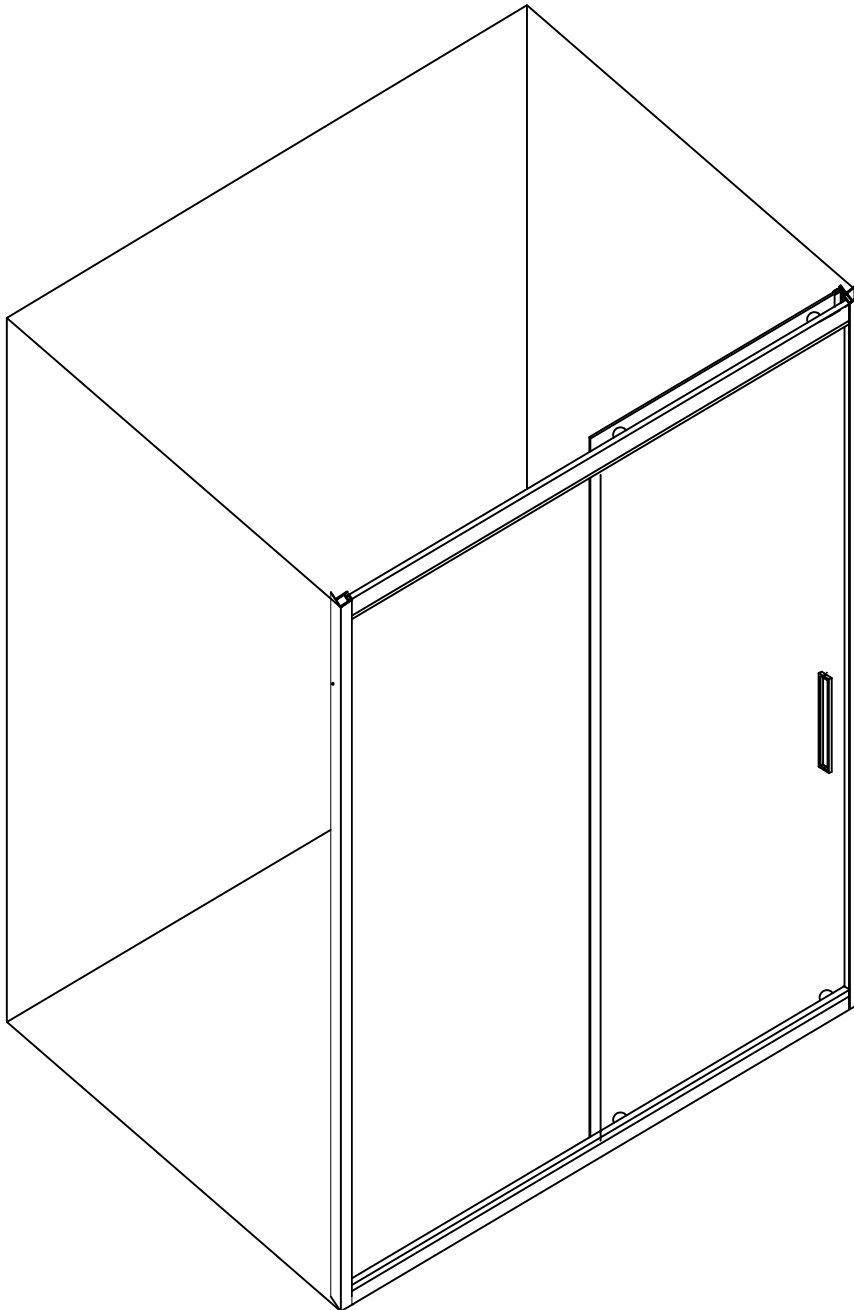
STEP-8:Install door glass.



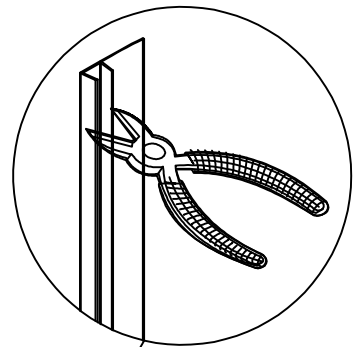
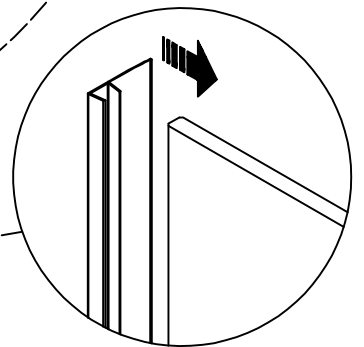
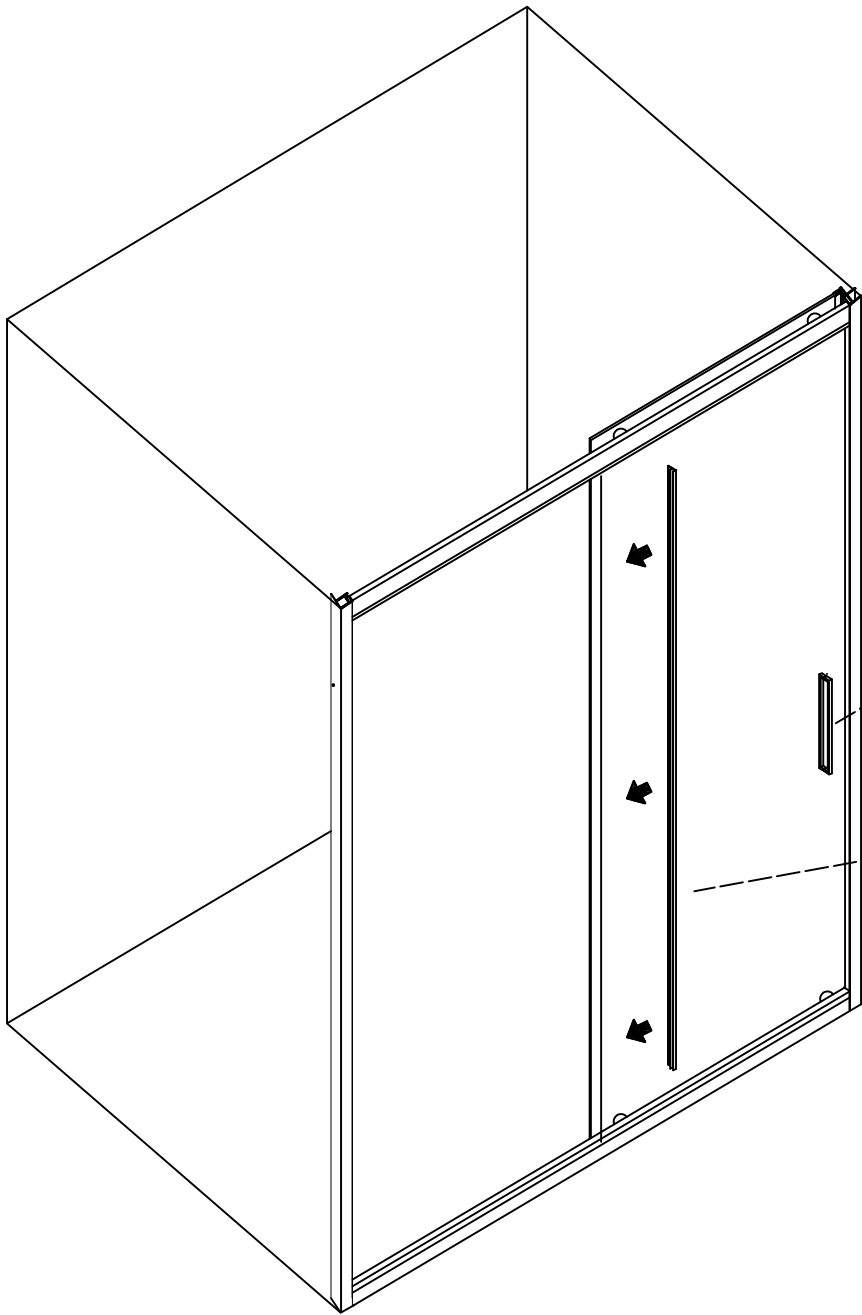
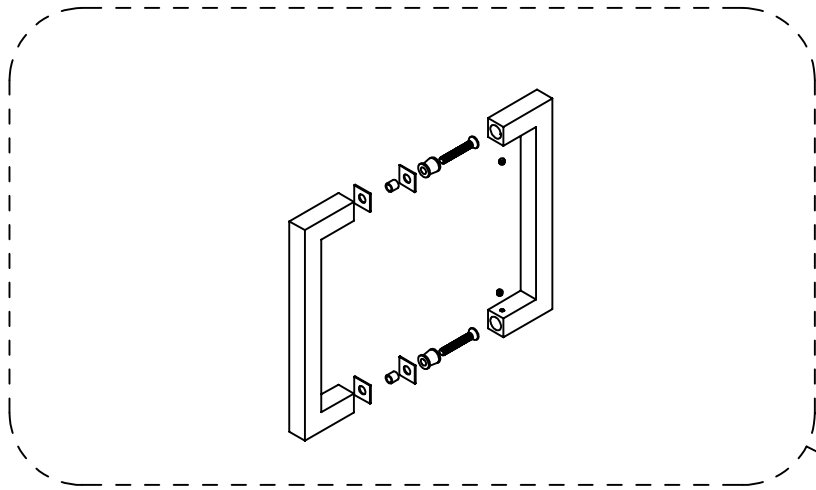
STEP-9: Adjusting pulley.



Turning the screw can adjust the height of the door glass, which is used to adjust the door glass and the magnetic strip frame to close

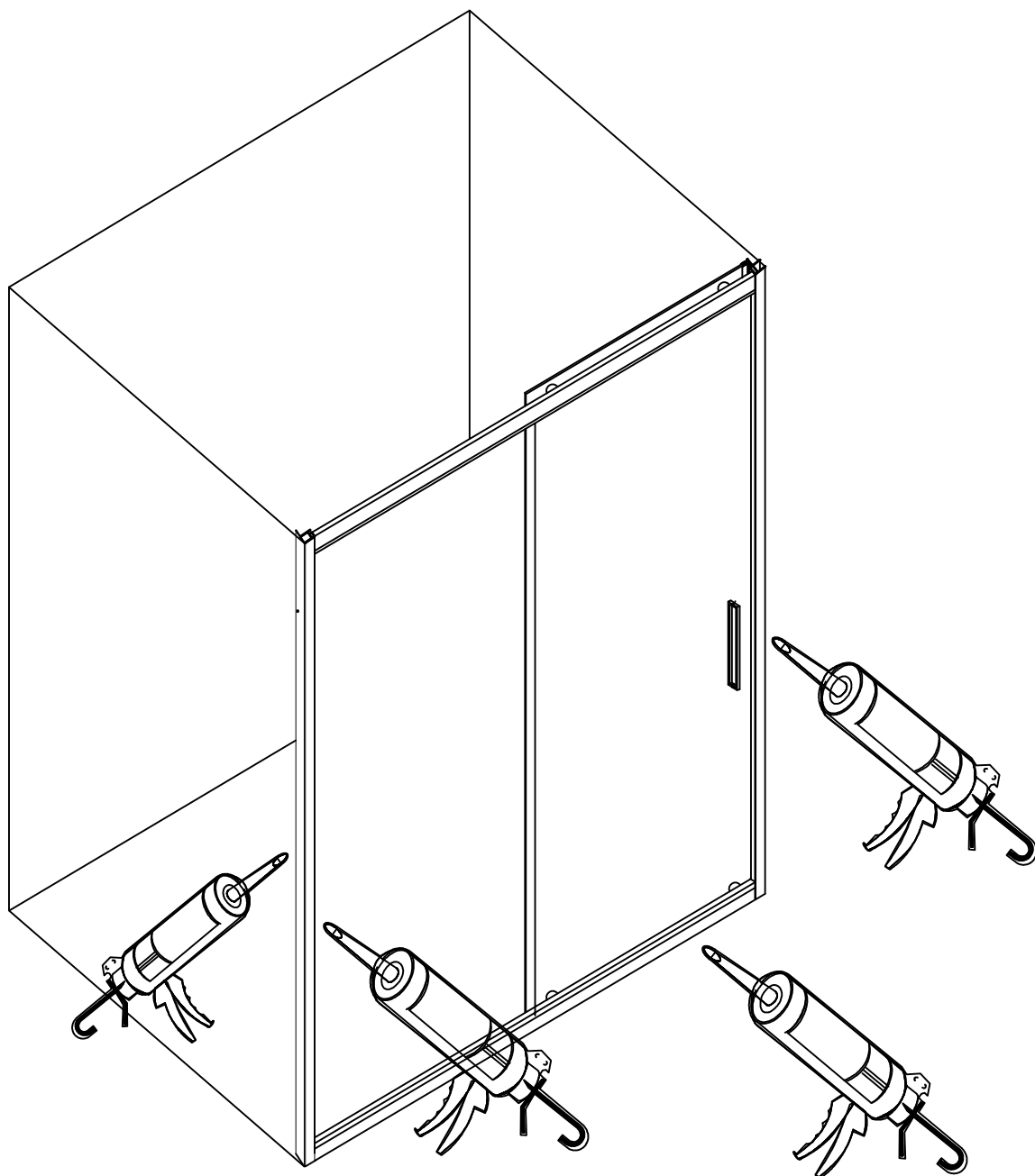


STEP-10: Install handle and strip .



STEP-11: Secure with glass glue.

Glass and frame contact positions, frame and wall and floor contact positions need to be sealed with glass glue, after applying glass glue, doors cannot be opened or, and cannot be washed with water, it is necessary to wait for 24 hours for the glass glue to dry before it can be used



24 HOURS