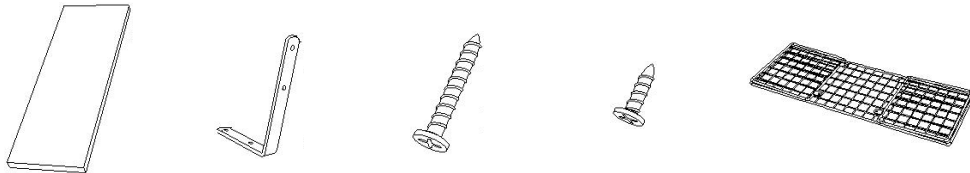


# INSTALLATION GUIDE

PLEASE MAKE SURE THE FOLLOWING PARTS ARE AVAILABLE BEFORE INSTALLATION

If you have any advice or question, please contact us

- A**  
Shelf Board
- B**  
L-shaped Bracket
- C**  
Long Screws
- D**  
Short Screws
- E**  
Metal Basket



A note about the board without pre-drilling holes: our wood is soft, so you just need to press and rotate a little bit to put the screws in the position you want, which is better than pre-drilling. And it will be more stable than pre-drilling.

**F**  
Wall Anchor 1

M13x40mm

**CAUTION!**

→ This wall anchor [F] is for drywall ONLY. DO NOT use it in concrete / brick / wood studs wall.

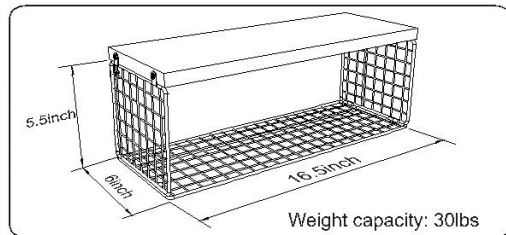
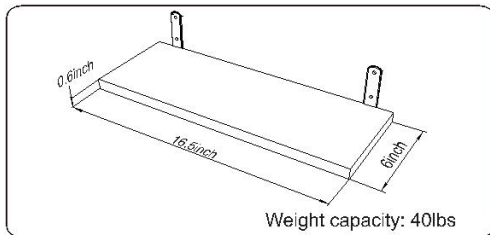
**G**  
Wall Anchor 2

ø6mmx4mmx30mm

**CAUTION!**

→ This wall anchor [G] is for concrete or brick walls ONLY. DO NOT use it in drywall or wood studs.

## PRODUCT SIZE DIAGRAM.



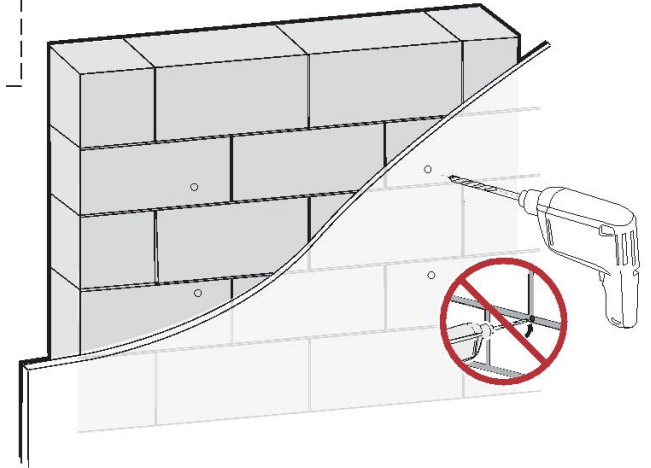
**Warning** Choking hazard-small parts. Not suitable for children under 3 years old.

Thank you for purchasing this product. Please read this instruction manual carefully before use. Keep these instructions for future reference

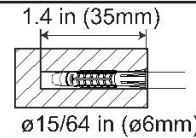
## Anchor Installation Method

### Step 1/A For Solid Concrete and Concrete Block Walls

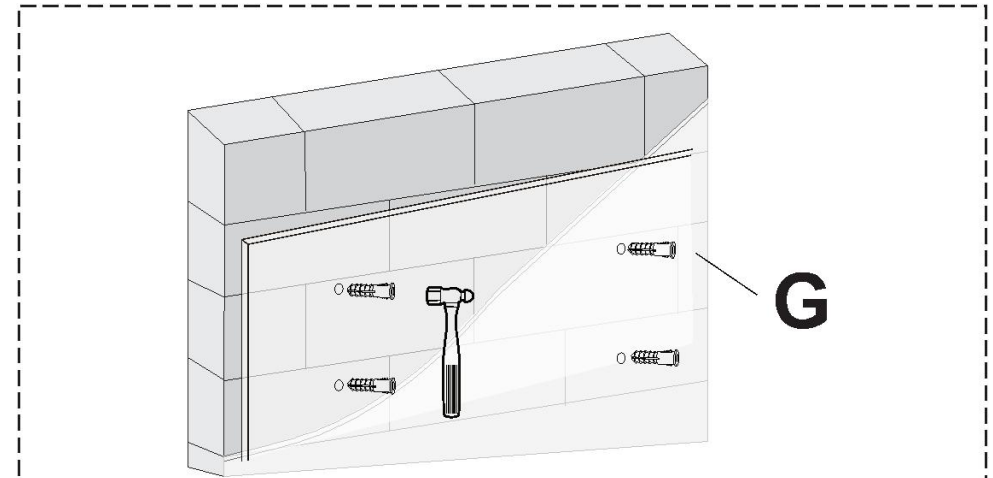
**WARNING:**  
For Solid Concrete and Concrete Block Walls [F] are not necessary.



For long screw



1) Mark the position of holes and make sure the shelf is level and flush to the wall before installation. Then drill the holes as shown in the figure.

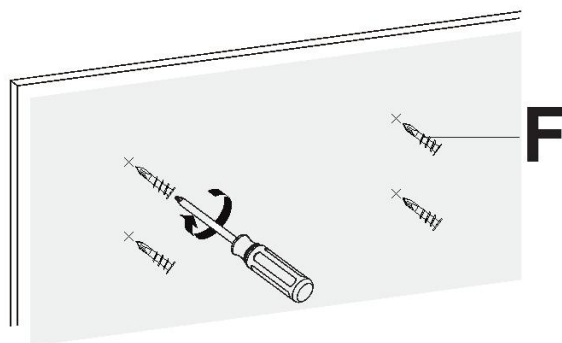


2) Turn the wall anchor G into the wall.

## Anchor Installation Method

### Step 1/B For Drywall

**! WARNING:**  
For drywall  
[ G ] are not necessary.



Mark the position of holes and make sure the shelf is level and flush to the wall before installation.  
Press and screw the wall anchors F into the drywall using a phillips screwdriver (not included) and turn clockwise, making sure that wall anchors E are stable and flush with the wall.

ⓘ Drill wall holes and screw the wall anchors F into the drywall if necessary.

## Board Installation Method

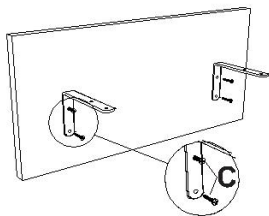
Fix the bracket upwards or adown as you wish.

### Step 2 Board Installation - Method One

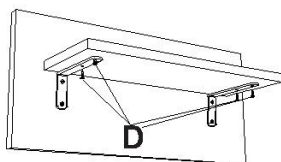


1. The above two installation methods are to fix the L-shaped bracket on the wall first, and then fix the wooden board on the brackets. You can also fix the L-shaped bracket to this plate first, and then fix the fixed board to the wall.

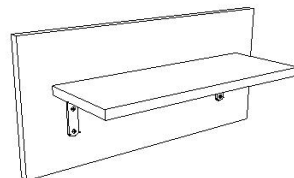
2. We suggest you symmetrically install the bracket near the edge of the board. A little bit deviation of the position will not affect the max weight capacity and regular function of the shelves.



1. Fix the L-shaped bracket to the wall with long screws C.

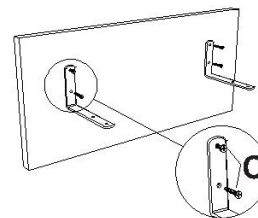


2. Place the board on the L-shaped bracket, and then fix it with small screws D.

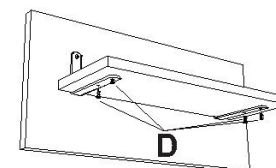


3. After the installation is completed as shown in the figure.

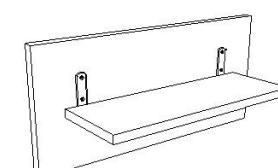
### Step 2 Board Installation - Method Two



1. Fix the L-shaped bracket to the wall with long screws C.

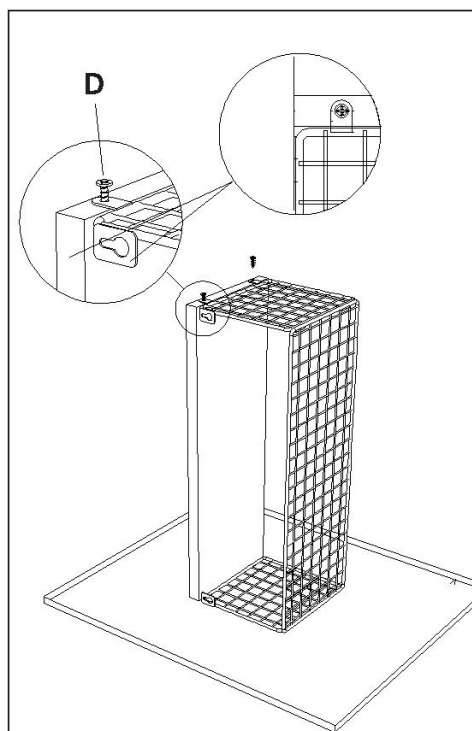


2. Place the board on the L-shaped bracket and then fix it with small screws D.

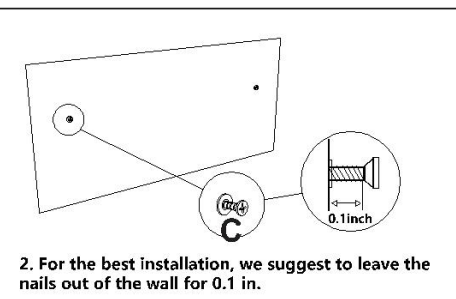


3. After the installation is completed as shown in the figure.

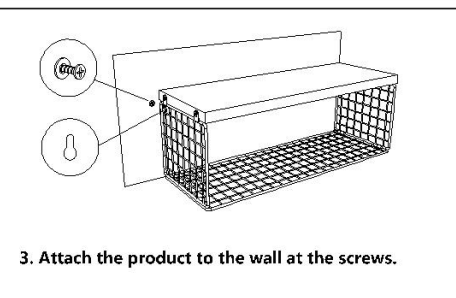
### Step 3 Basket Installation



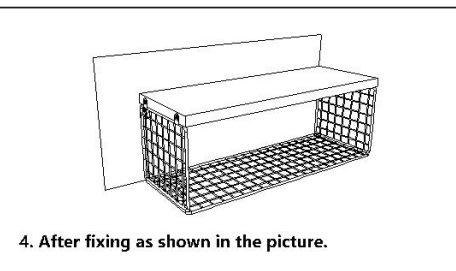
1. Unfold the basket [E] and place it vertically with wood board. The edge of the basket needs to be aligned with the edge of the wood board. Using short screws [D] to fix the basket to the board. (No need to pre-drill holes, just press and drill the screws in.)



2. For the best installation, we suggest to leave the nails out of the wall for 0.1 in.



3. Attach the product to the wall at the screws.



4. After fixing as shown in the picture.