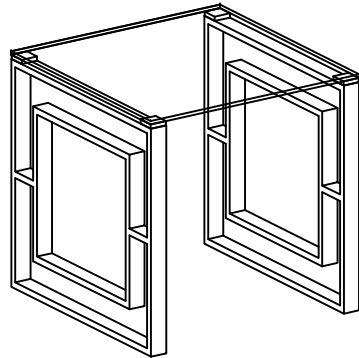
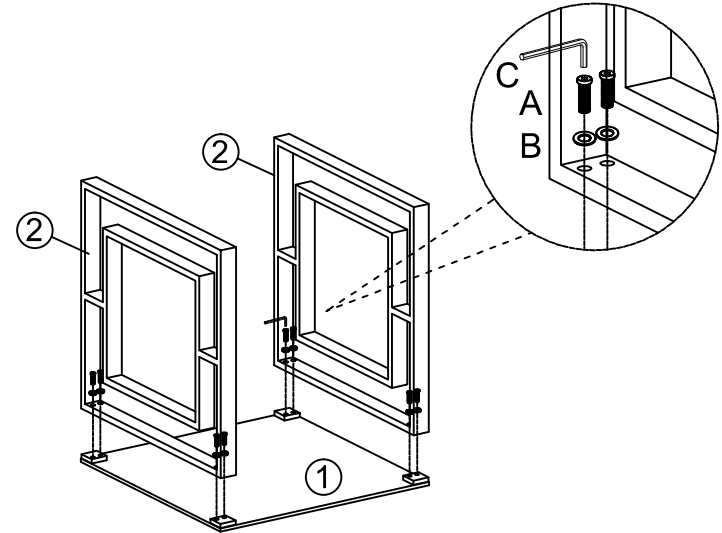


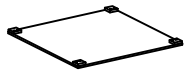
# ASSEMBLE INSTRUCTION



①

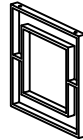


1



1x

2



2x

A



M8

8x

B



8x

C



M5

1x

②

