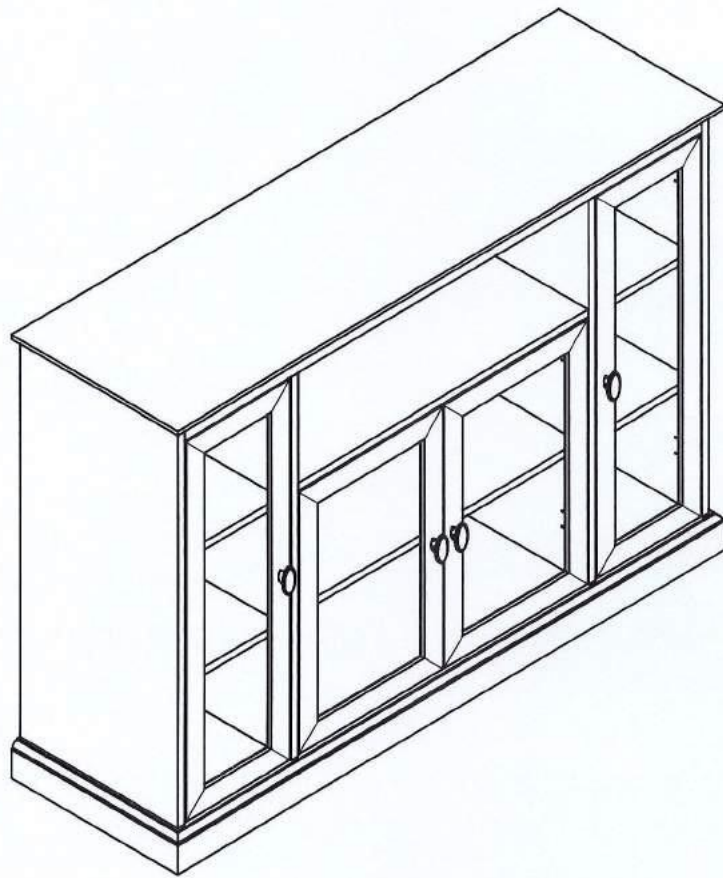








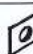


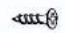


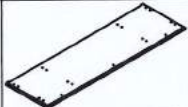
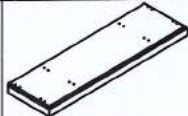

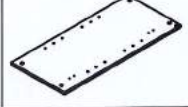


# HIGHBOY TV STAND



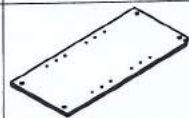
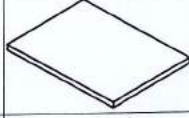
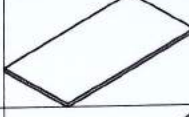

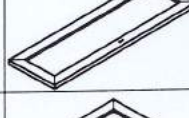

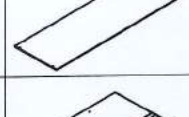

## HARDWARE LIST

CODE	NAME	FIGURE	Q'TY
A	CAM LOCK (Ø15*9mm)		20PCS
B	CAM BOLT (Ø6.5*35mm)		20PCS
C	WOOD DOWEL (Ø6*30mm)		24PCS
D	PLASTIC COVER		16PCS
E	KNOB		4PCS
F	KNOB SCREW (Ø4*22mm)		8PCS
G	WOOD SCREW (Ø7*25mm)		3PCS
H	ROUND HEAD SCREW(Ø3*15mm)		36PCS
I	MELAT PLATE		6PCS
J	SHELF PIN		20PCS
K	HINGE		8PCS
L	FLAT HEAD SCREW(Ø3*15mm)		32PC

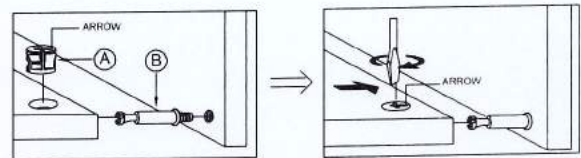
## PARTS LIST

CODE	NAME	FIGURE	Q'TY
①	TOP PANEL		1PC
②	BOTTOM PANEL		1PC
③	LEFT SIDE PANEL		1PC
④	RIGHT SIDE PANEL		1PC
⑤	FIXED PANEL		1PC
⑥	RIGHT DIVIDER		1PC

## PARTS LIST

CODE	NAME	FIGURE	Q'TY
⑦	LEFT DIVIDER		1PC
⑧	SIDE ADJUSTABLE SHELF		4PCS
⑨	CENTER ADJUSTABLE SHELF		1PC
⑩	FRONT CROSS BAR		1PC
⑪	DOOR(1)		2PCS
⑫	DOOR(2)		2PCS
⑬	BACK PANEL(1)		2PCS
⑭	BACK PANEL(2)		1PC

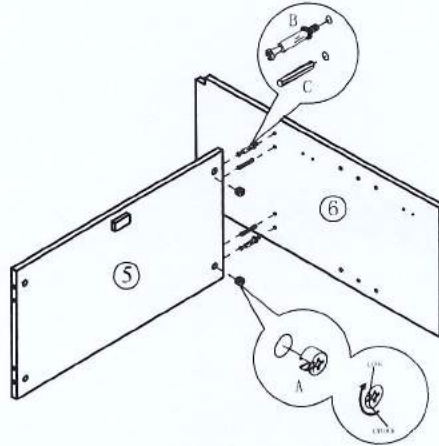
### HOW TO USE THE CAMLOCK SYSTEM



- NOTE: THE ARROWS ON THE HIDDEN CAM-LOCKS SHOULD POINT TO THE CAM-BOLTS

## STEP 1

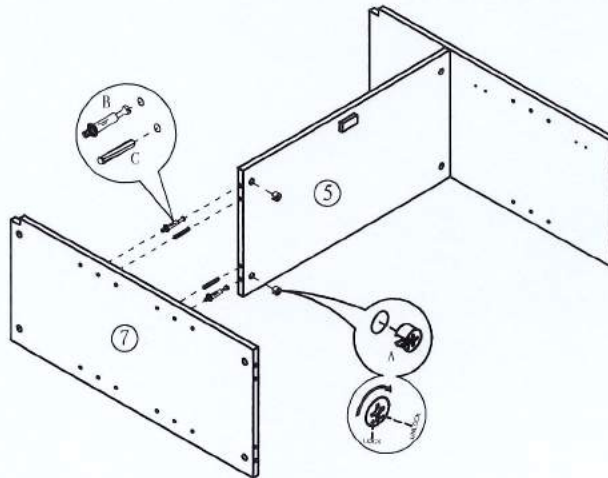
A x 2PCS
B x 2PCS
C x 2PCS



- (1) ATTACH CAMLOCKS AND HARDWARE AS SHOWN.
- (2) CONNECT PIECES.
- (3) GENTLY TIGHTEN CAMLOCKS.

## STEP 2

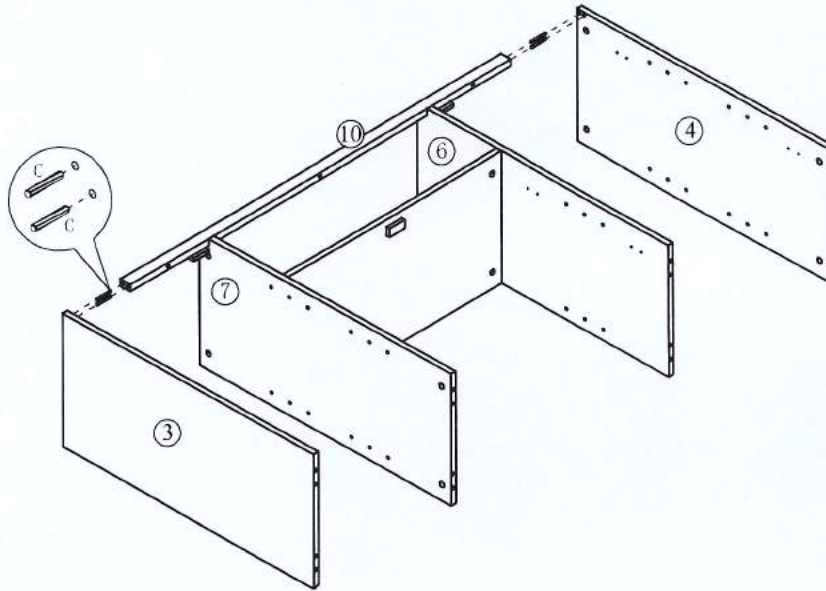
A x 2PCS
B x 2PCS
C x 2PCS



- (1) ATTACH CAMLOCKS AND HARDWARE AS SHOWN.
- (2) CONNECT PIECES.
- (3) GENTLY TIGHTEN CAMLOCKS.

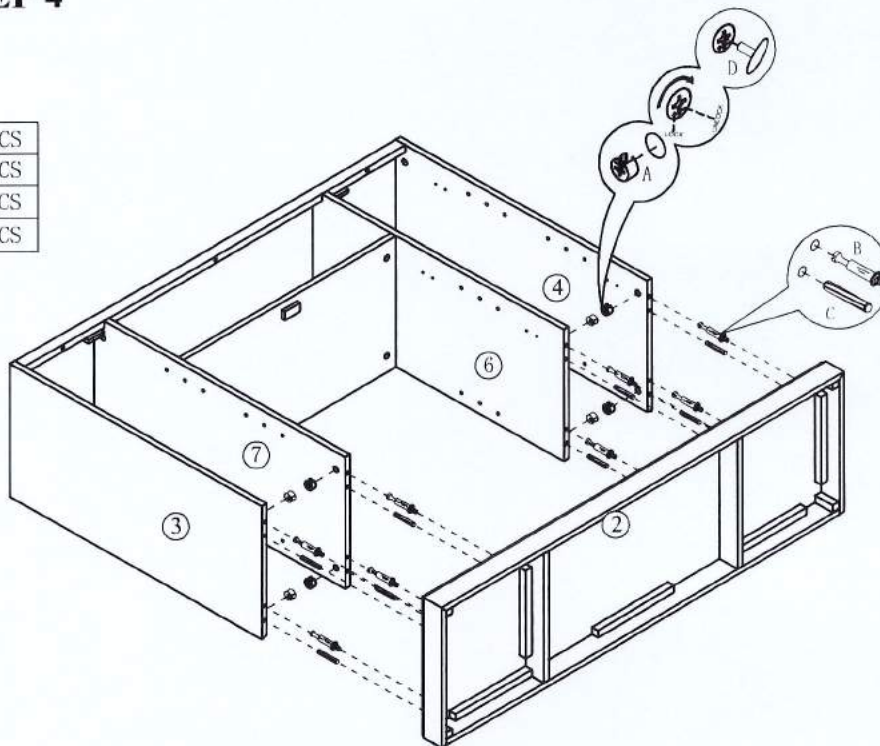
### STEP 3

C x 4PCS



### STEP 4

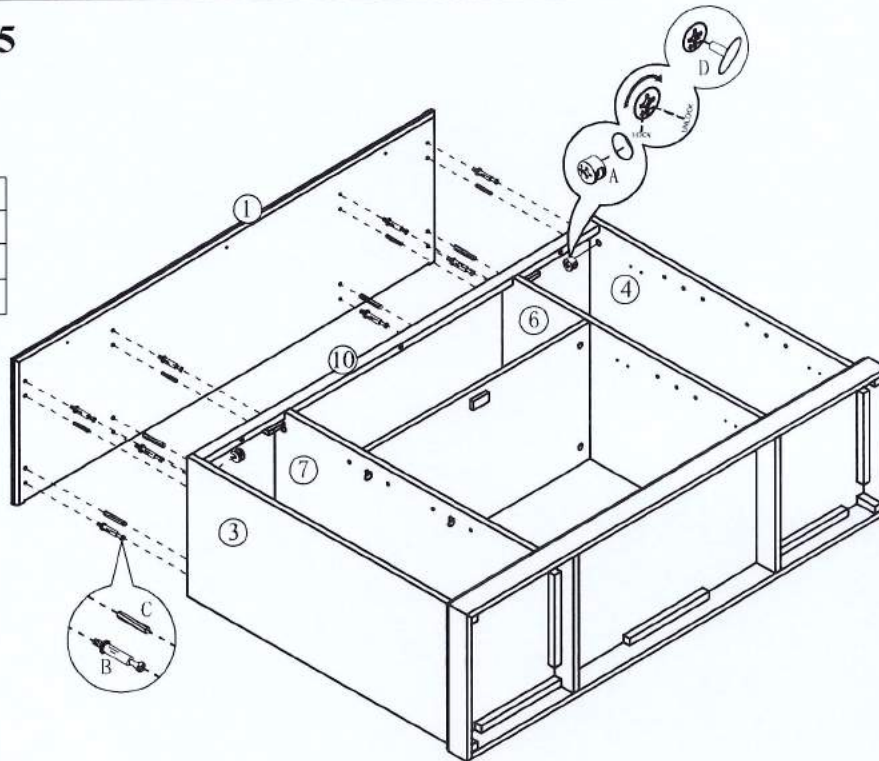
A x 8PCS  
B x 8PCS  
C x 8PCS  
D x 8PCS



(1) ATTACH BOTTOM PANEL (2) TO UNIT USING CAMLOCK SYSTEM.

## STEP 5

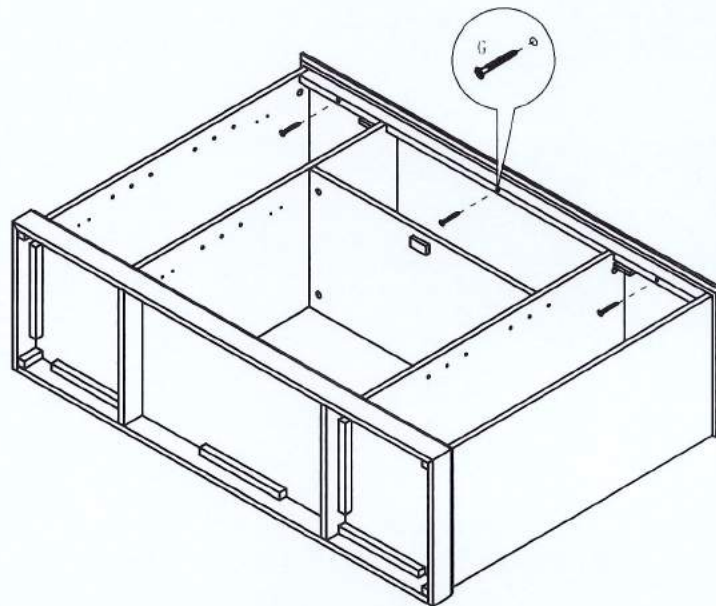
A x 8PCS
B x 8PCS
C x 8PCS
D x 8PCS



(1) CONNECT TOP PANEL (1) TO UNIT USING CAMLOCK SYSTEM.

## STEP 6

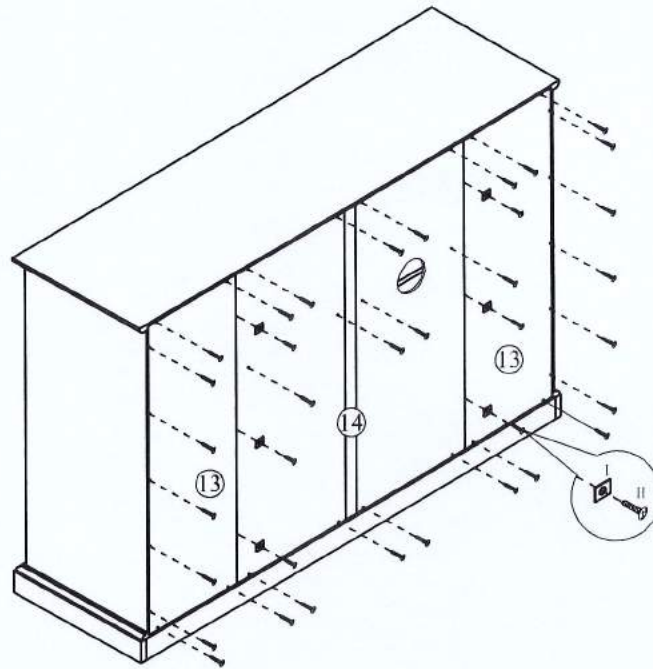
G x 3PCS
----------



(1) ATTACH FRONT CROSSBAR (10) TO UNIT USING WOOD SCREWS (G).

## STEP 7

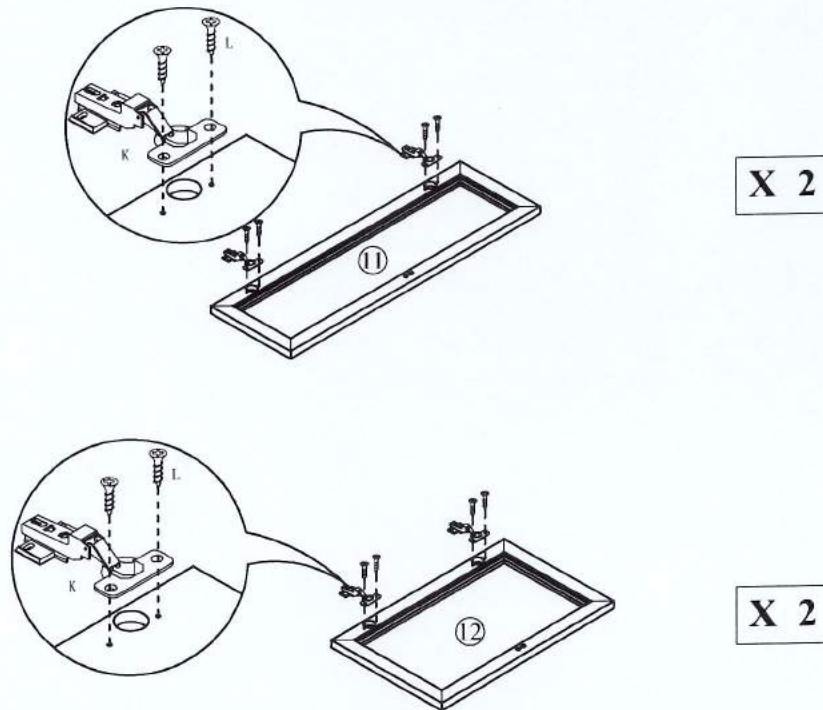
H x 36PCS
I x 6PCS



(1) FASTEN BACK PANEL TO UNIT WITH ROUND HEAD SCREW (H) AND METAL PLATE (I).

## STEP 8

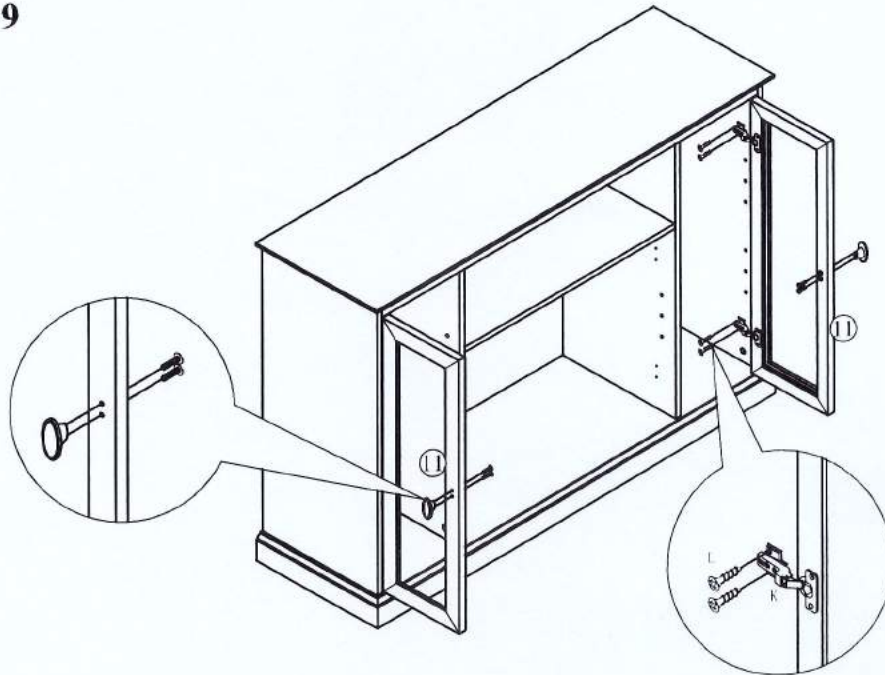
K x 8PCS
L x 16PCS



(1) TIGHTEN THE HINGE (K) ONTO THE DOOR (1) AND DOOR (2) BY USING THE 3\*15MM FLAT HEAD SCREW (L).

## STEP 9

L x 8PCS
E x 2PCS
F x 4PCS

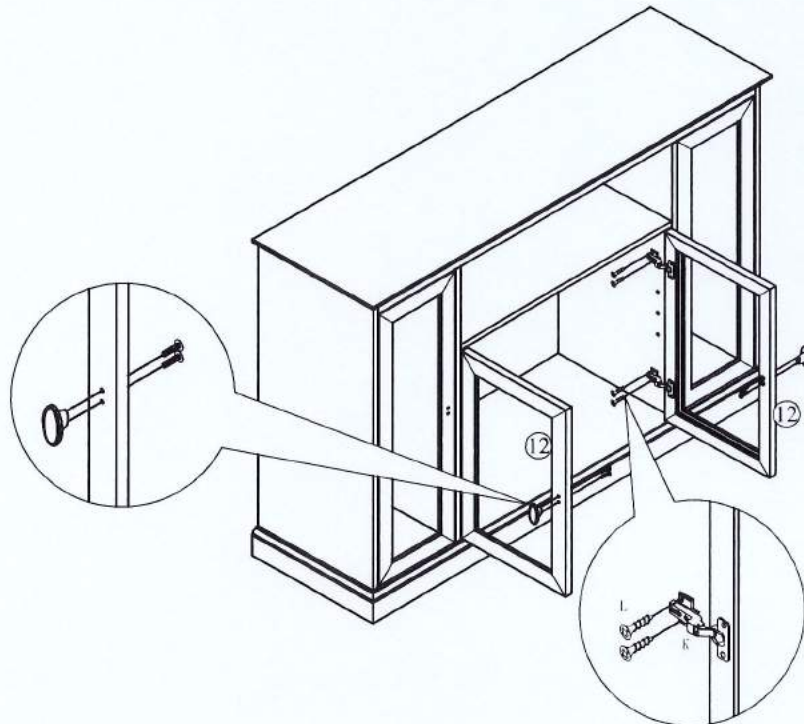


(1) USING SCREWS(L), ATTACH DOOR TO UNIT.

(2) ATTACH KNOBS TO DOOR AS SHOWN.

## STEP 10

L x 8PCS
E x 2PCS
F x 4PCS

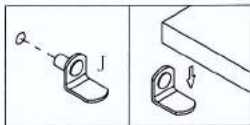
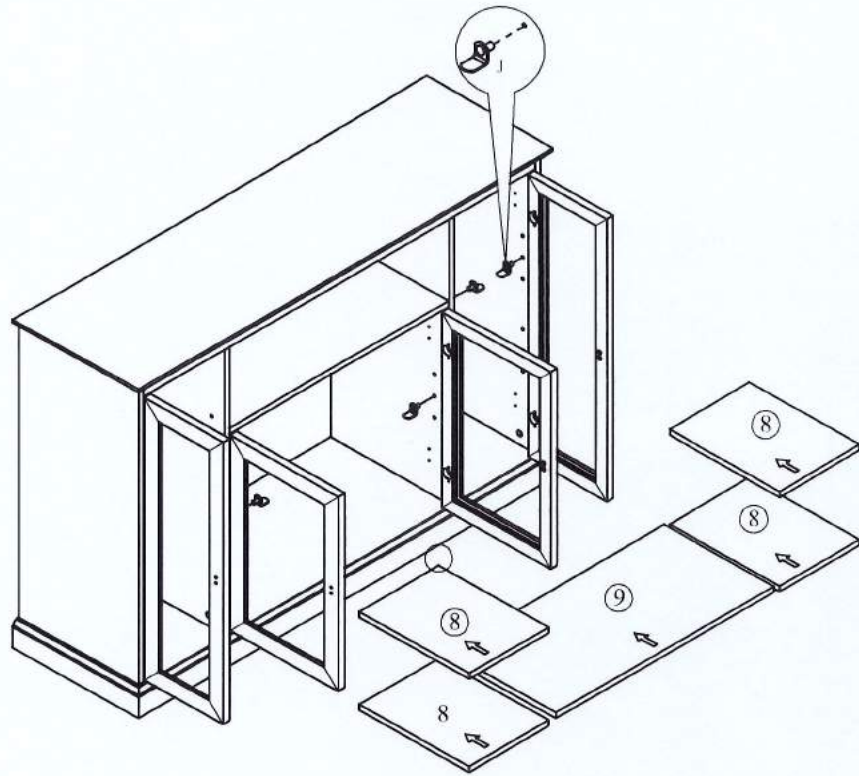


(1) USING SCREWS(L), ATTACH DOOR TO UNIT.

(2) ATTACH KNOBS TO DOOR AS SHOWN.

## STEP 11

J x 20PCS



- (1) INSERT SHELF BRACKETS.
- (2) SLIDE IN SHELVES (8) & (9).