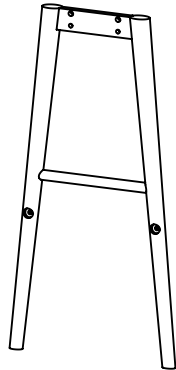


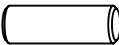


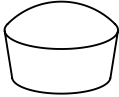


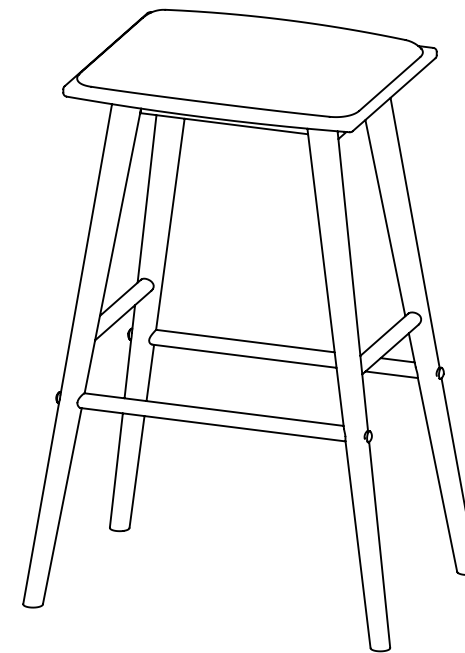
Part List And Hardware List			
PIECE	DESCRIPTION	PICTURE	QTY.
A	Leg Frame		2
B	Seat		1
C	Leg Stretcher		2
1	Dowel	 10x30	4
2	Socket Head Cap Screw	 35mm	8
3	Allan Key	 4	1
4	Wooden cap	 15x10	8

JY

JONATHAN Y




MODEL # BSL2002

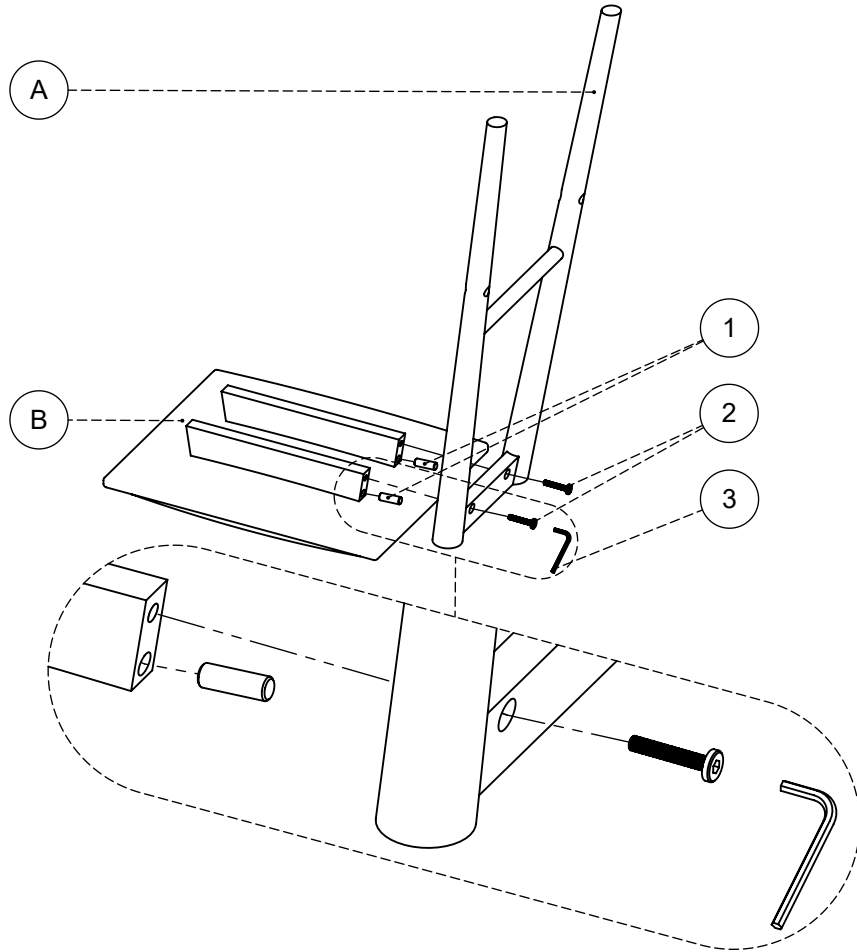
Product Dimension: 21"D x 14"W x 30.5"H





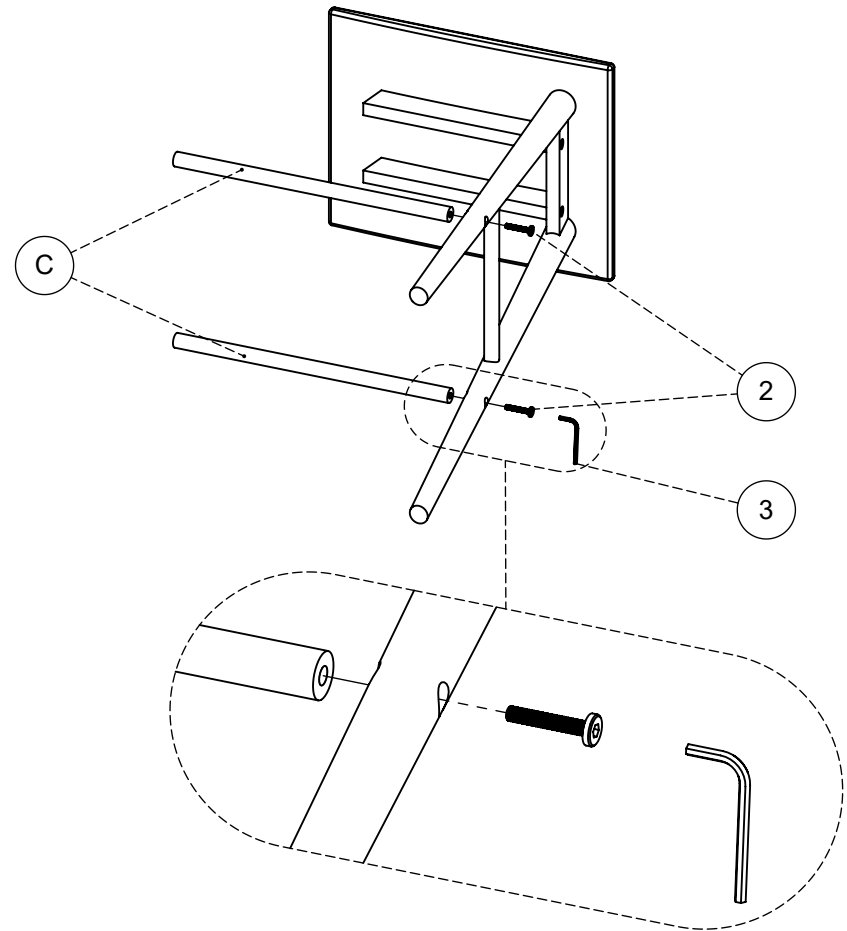
If there are any questions relating to defects, missing parts, assembly issues or replacements, please send a detailed email to cs@jonathany.com.

1

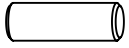


1	 10x30	2	
2	 35mm	2	
3		4	1

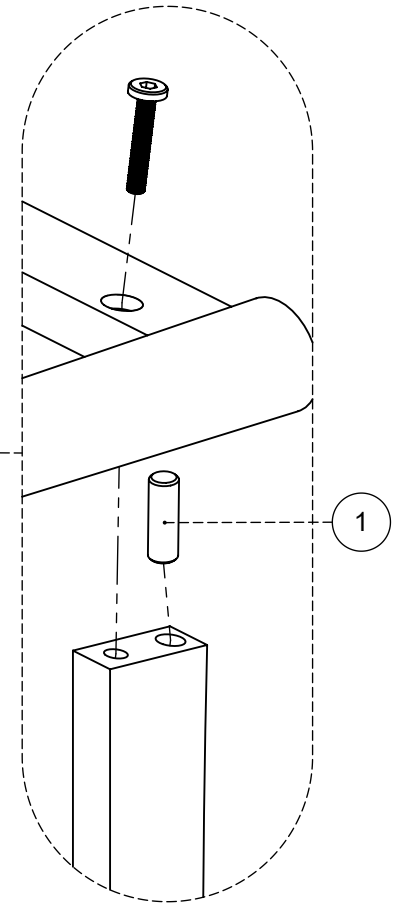
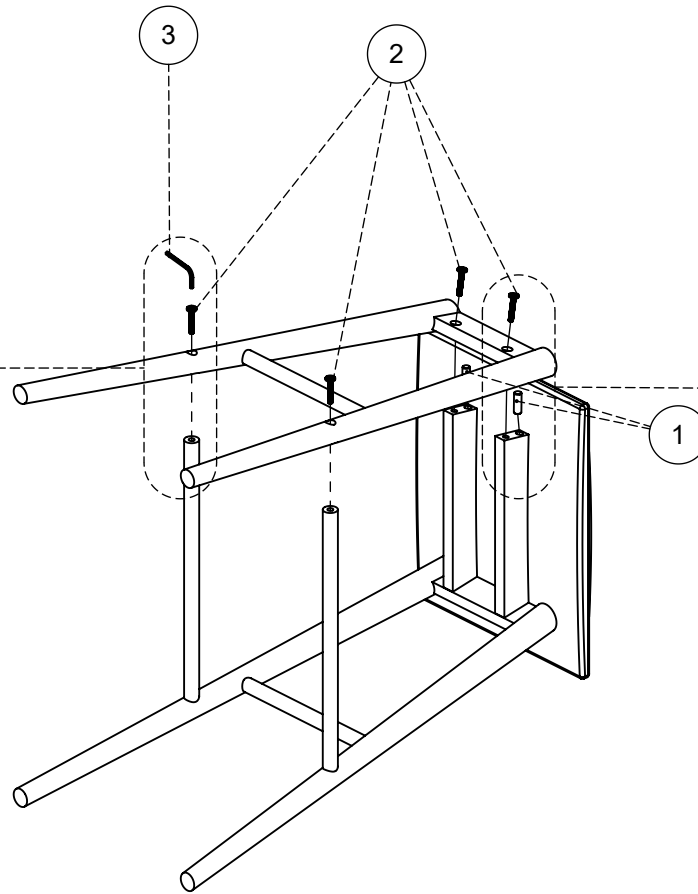
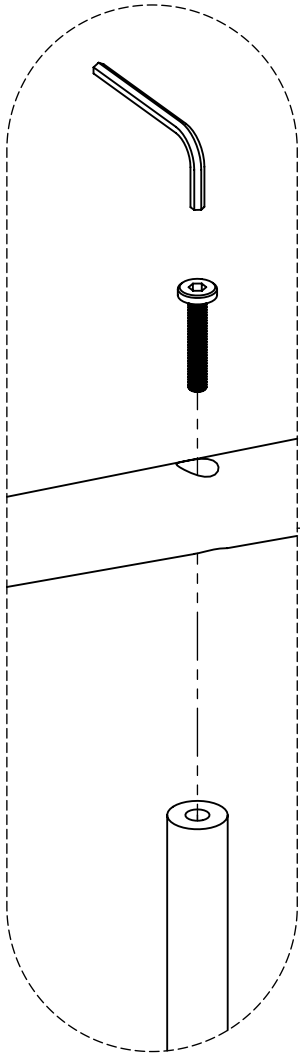
**2**

2	 35mm	2	
3		4	1



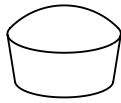
3

1		10x30	2
2		35mm	4
3		4	1



5

4



15x10

8

6

