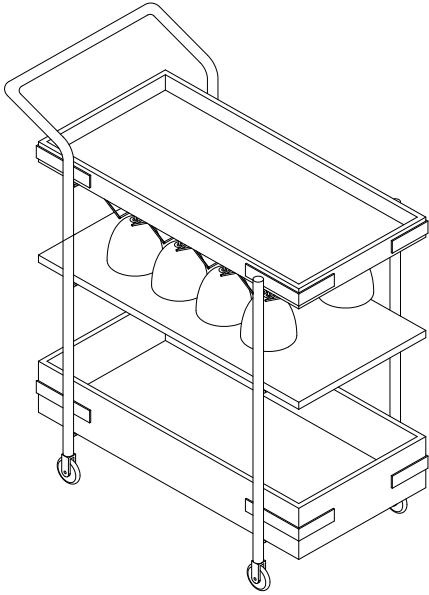

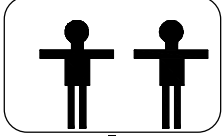

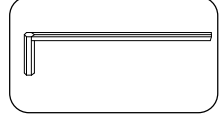
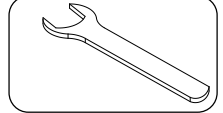


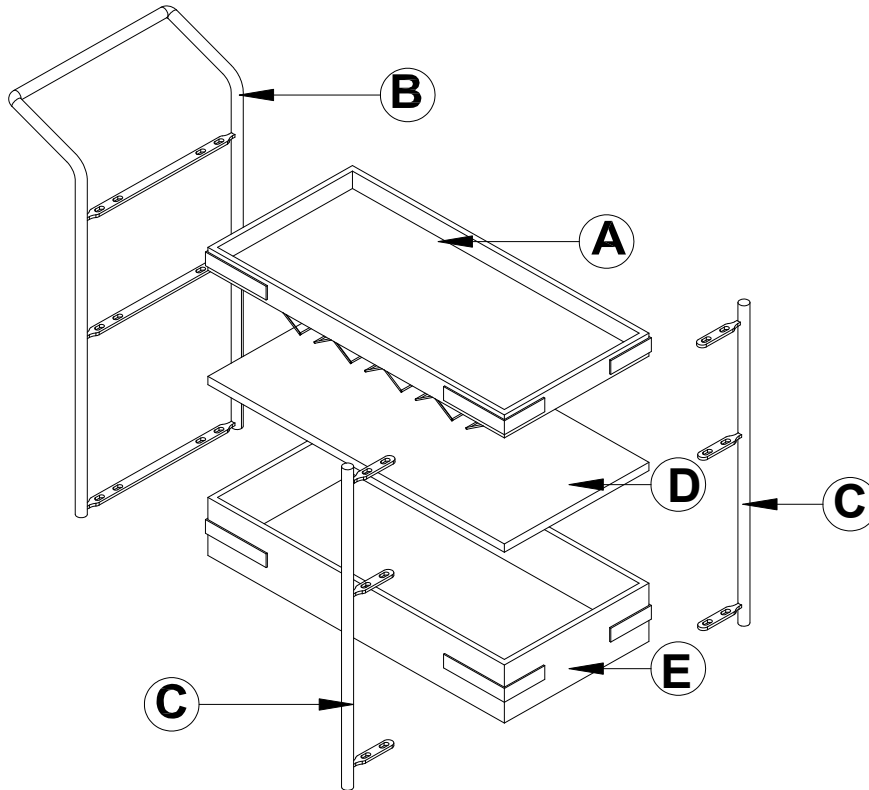
ASSEMBLY INSTRUCTIONS

BAR CART

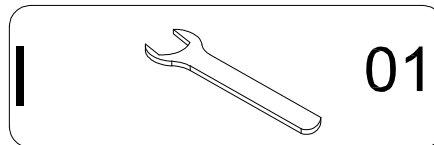
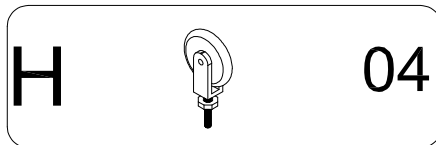
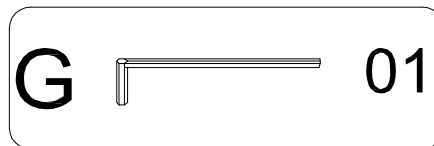
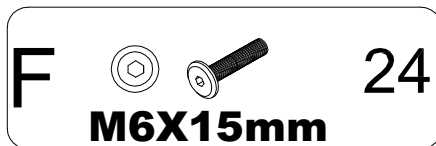


| | | |
|--|---|---|
|  <p>. Use of power tool to assemble this product will invalidate any claim and damage this product making it unsafe!!! . Please assemble on a clean soft surface to avoid damage.</p> |  <p>+</p>  <p>30 minutes</p> | <p><u>Tool Included</u></p>   |
|--|---|---|

Part List-Bar Cart

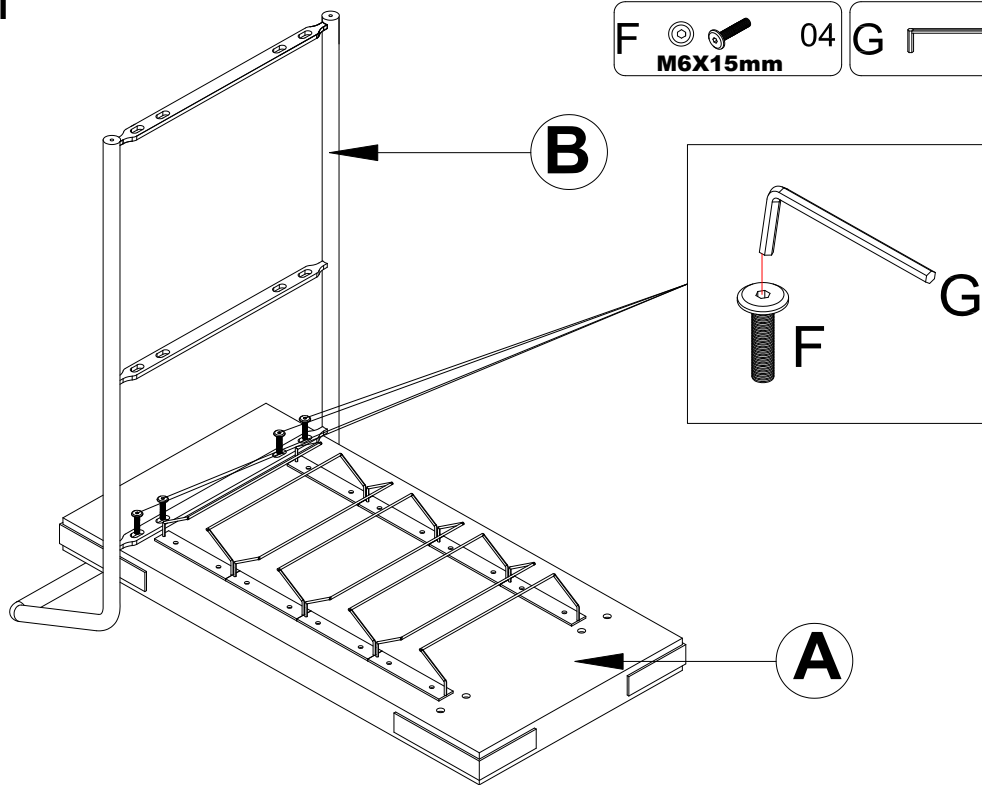


Identifying the hardware-Identify the hardware using the illustrations below.



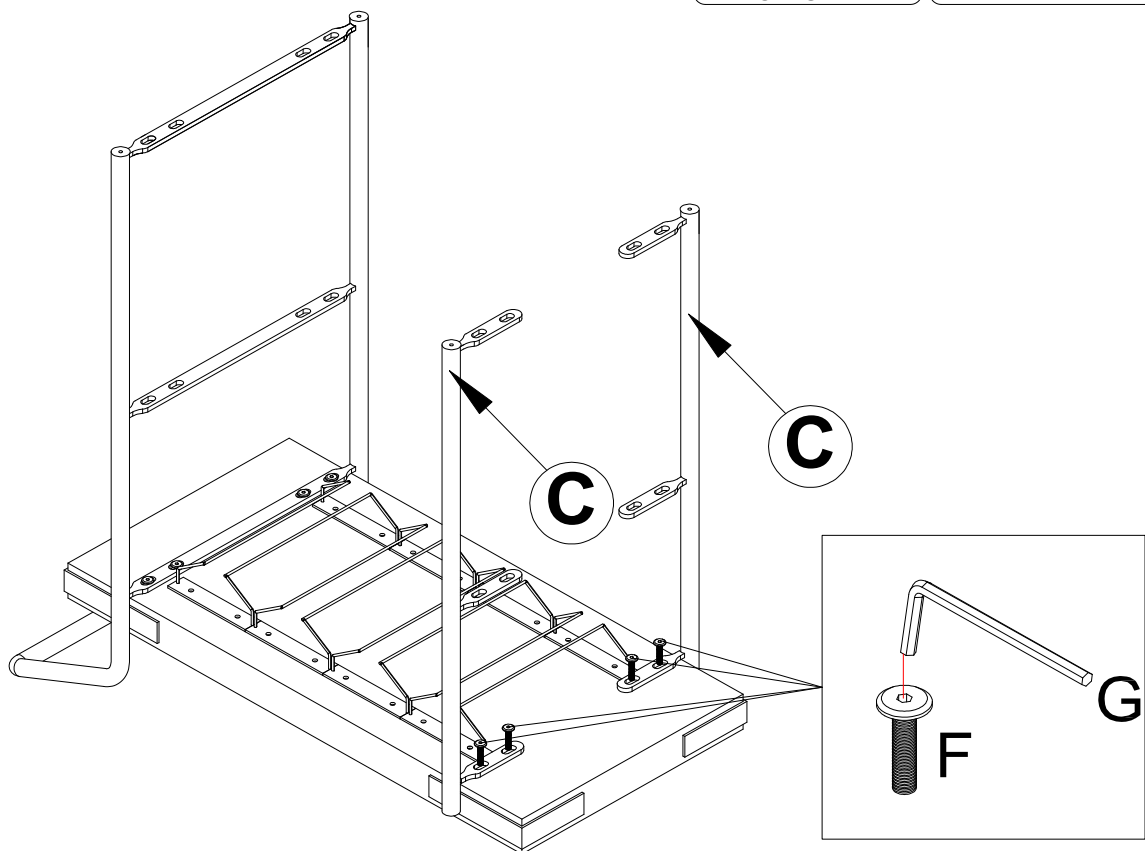
STEP 1

F  04 M6X15mm G  01



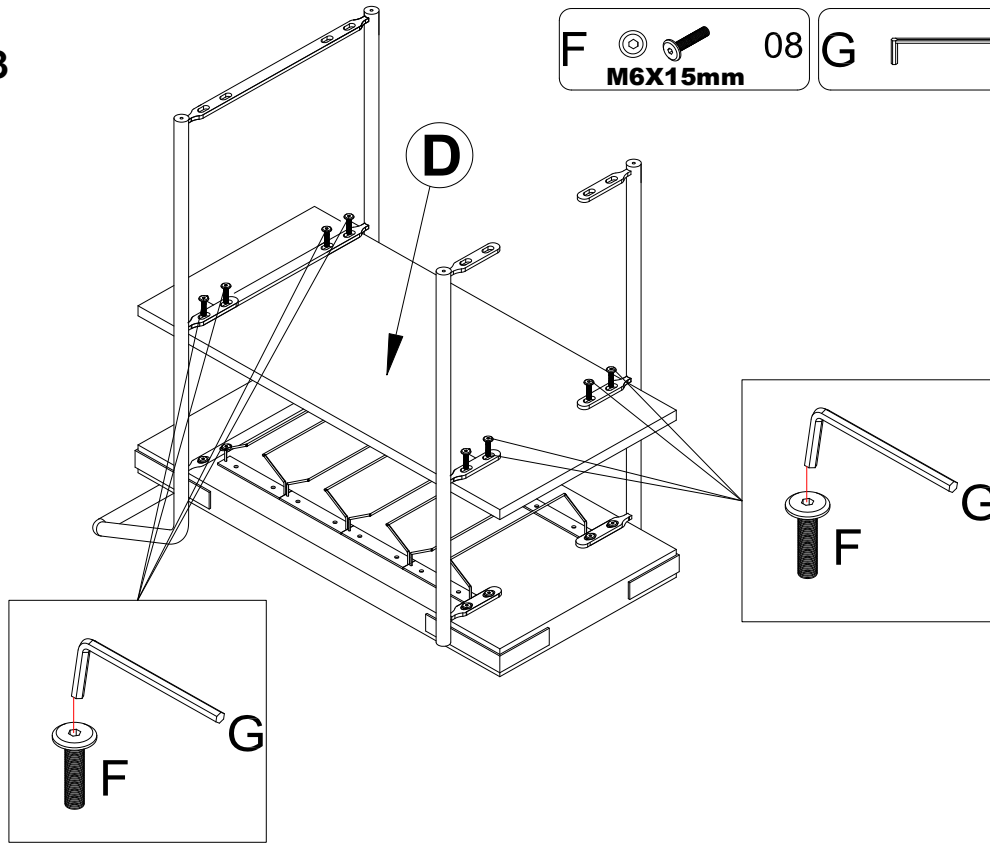
STEP 2

F  04 M6X15mm G  01



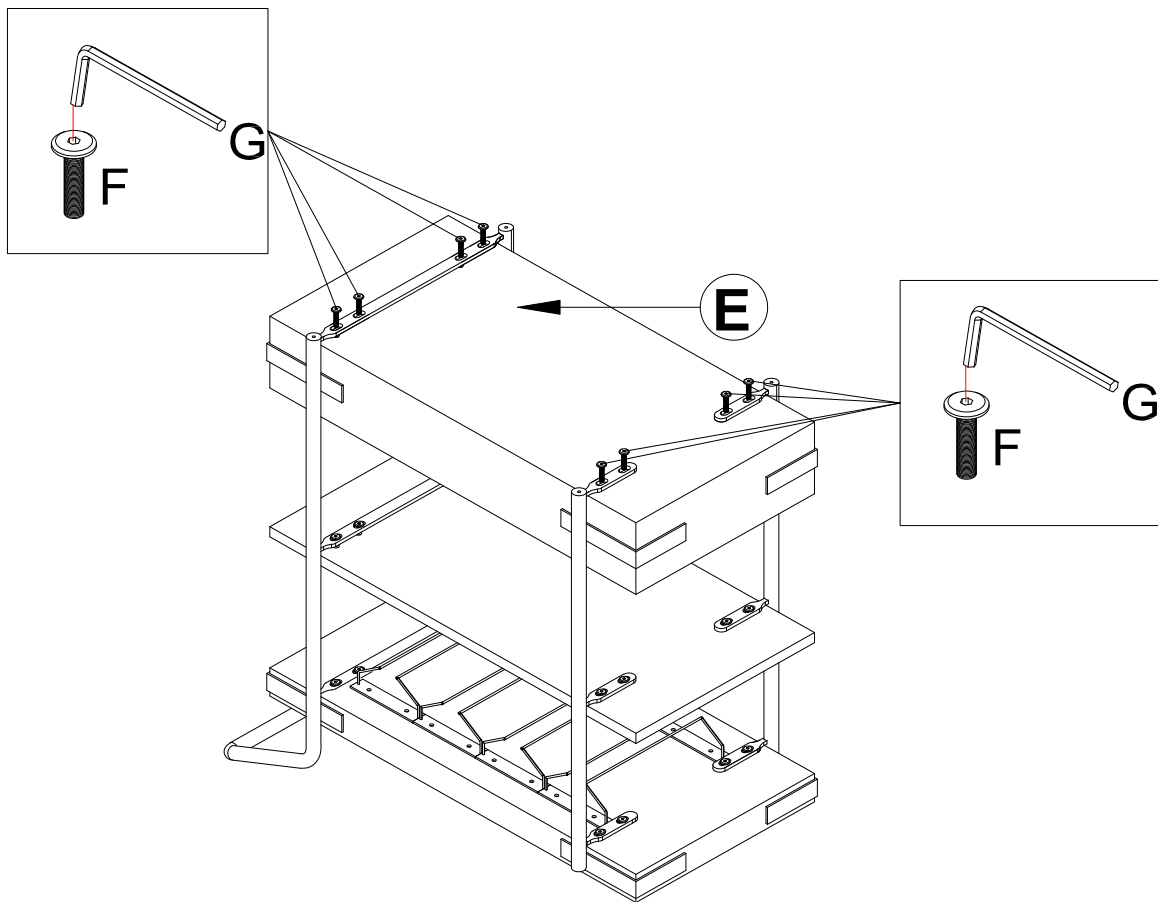
STEP 3

F  **08** **M6X15mm** **G**  **01**



STEP 4

F  **08** **M6X15mm** **G**  **01**



STEP 5

H 04

I 01

