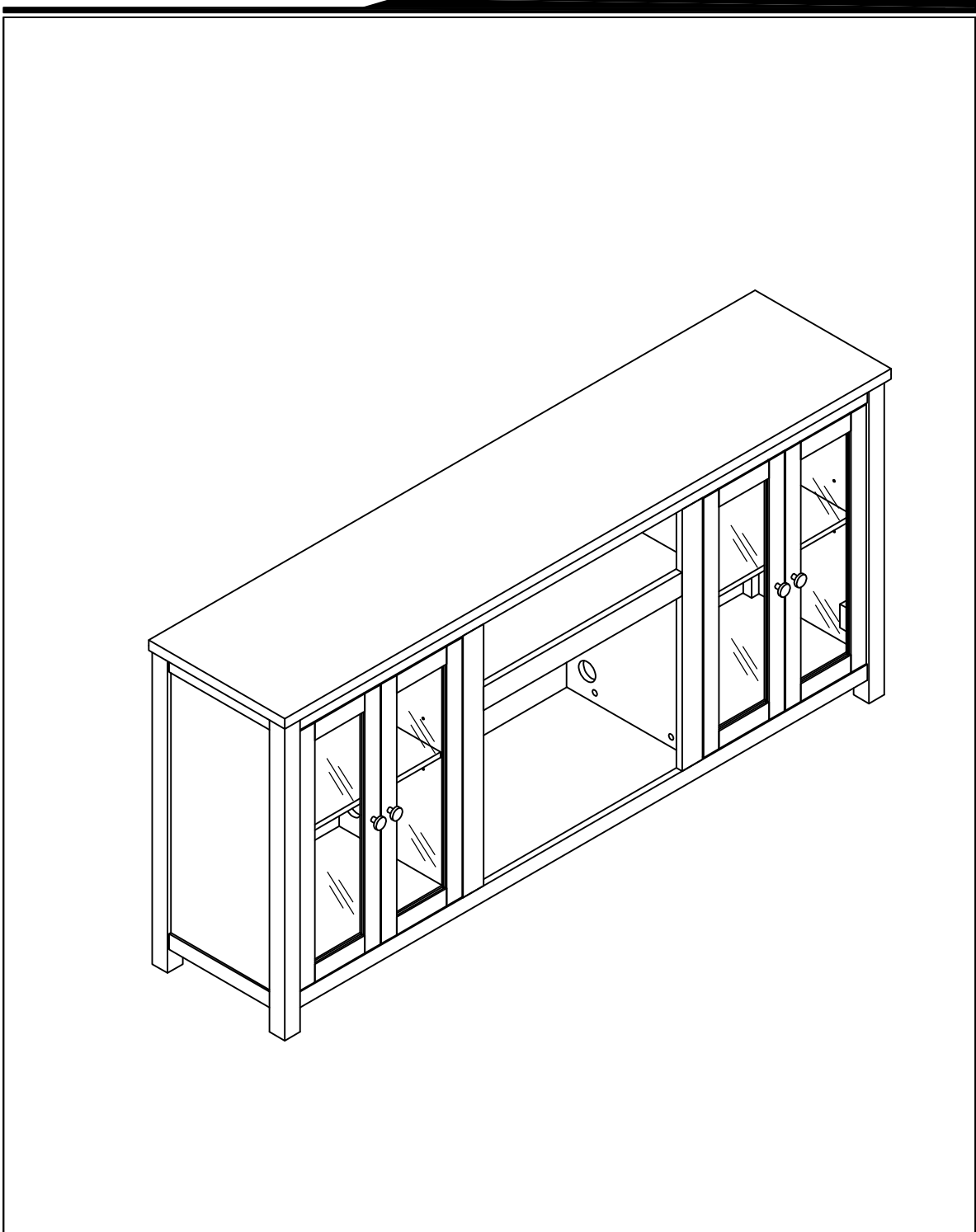


ASSEMBLY INSTRUCTION



Necessary assembly time: 60 minutes.

EN

Thank you for purchase on our products,please contact us if you have difficulty with assembly or need replacement parts. Our customer service is here to assist you.

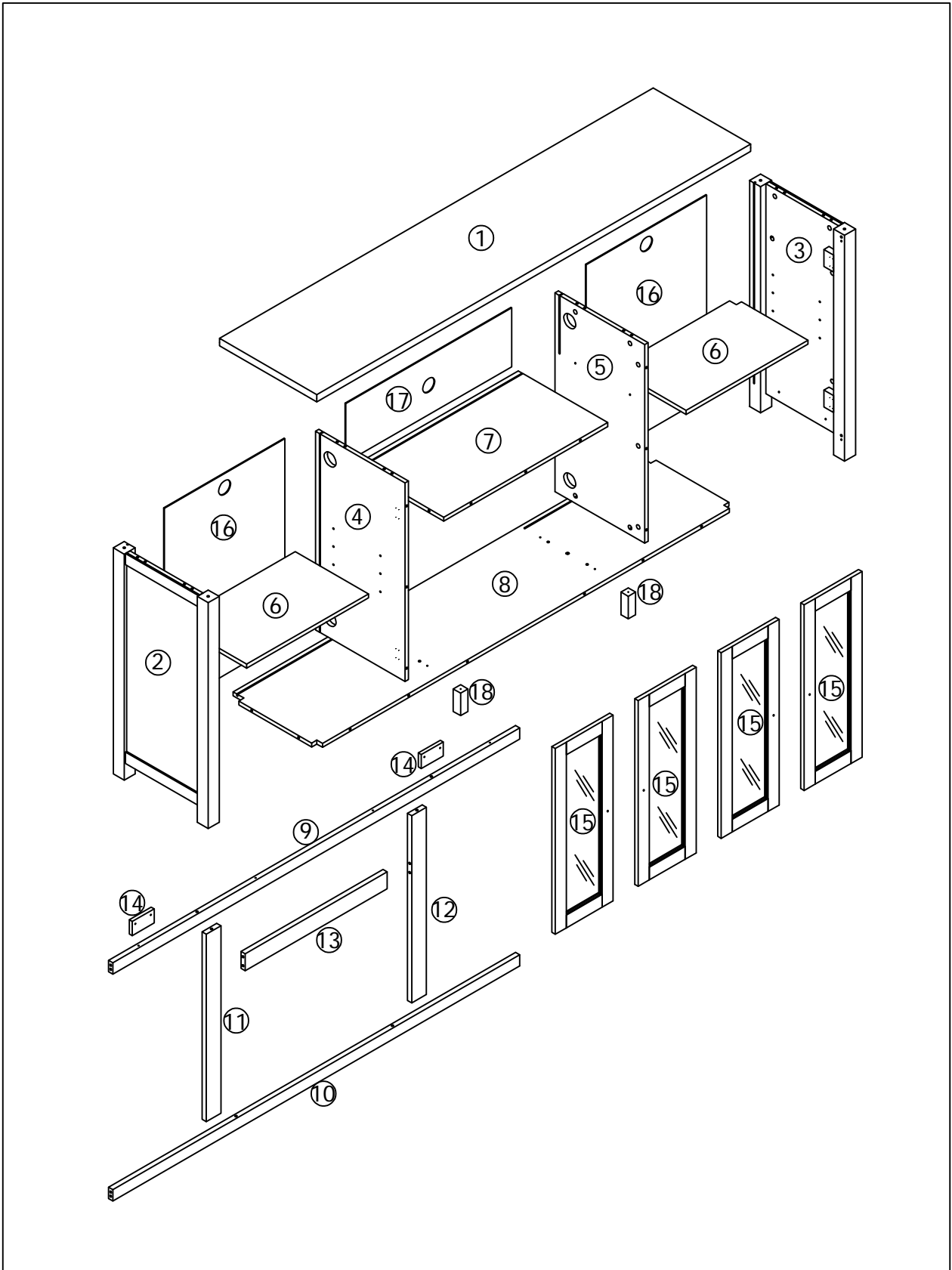
Please attach your User Name or Order ID so that we can assist you better.

WARNING

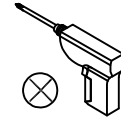
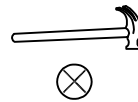
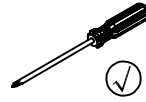
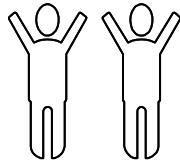
Serious or fatal injury may occur from unexpected assembly or use .

1. During the assembly process, keep all parts away form babies or children.
2. Always securely fix this product to the wall.Make sure the wall area to be drilled is free from hidden electrical wires, water and gas pipes.
3. Use of tip-over restraints may only reduce,but not eliminate the risk oftip-over.
4. Unless specially designed to accommodate,do not set heavy objects on top of this product.
5. Place the heaviest items on the lowest shelf.
6. Never allow children to climb or bang on drawers,doors or shelves.

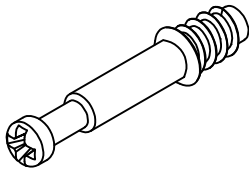

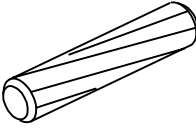
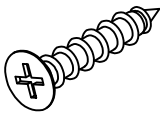
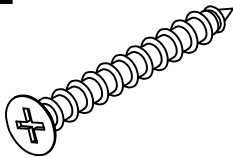
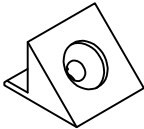
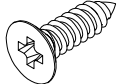
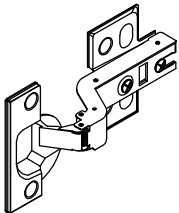
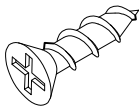
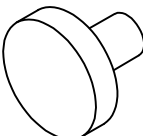


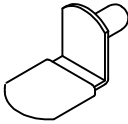
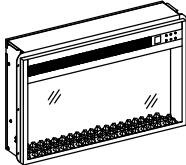
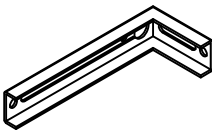
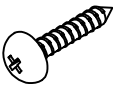
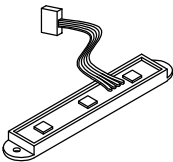

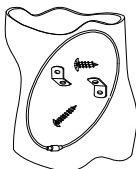
Parts List



Hardware List

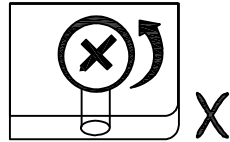
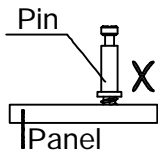
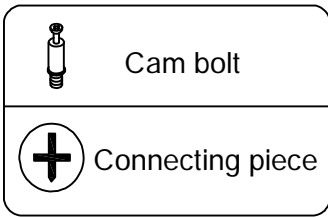


Not provided

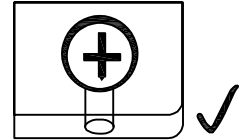
<p>A</p>  <p>Cam bolt 37PCS</p>	<p>B</p>  <p>Cam lock 37PCS</p>	<p>C</p>  <p>Wood dowel 32PCS</p>	<p>D</p>  <p>Flat head screw 4PCS</p>
<p>E</p>  <p>Flat head screw 6PCS</p>	<p>F</p>  <p>Bracket 12PCS</p>	<p>G</p>  <p>Flat head screw 12PCS</p>	<p>H</p>  <p>Hinge 8PCS</p>
<p>I</p>  <p>Flat head screw 48PCS</p>	<p>J</p>  <p>handle 4PCS</p>	<p>K</p>  <p>Bolt 4PCS</p>	<p>L</p>  <p>Silicone sheet 4PCS</p>
<p>M</p>  <p>Shelf pin 8PCS</p>	<p>N</p>  <p>Heater 1PC</p>	<p>N1</p>  <p>L-Brackets 2PCS</p>	<p>N2</p>  <p>Screws 6PCS</p>
<p>N3</p>  <p>LED light bars 2PCS</p>	<p>N4</p>  <p>Hook 2PCS</p>	<p>O</p>  <p>Prevent from toppling 2PCS</p>	

Assembly Steps

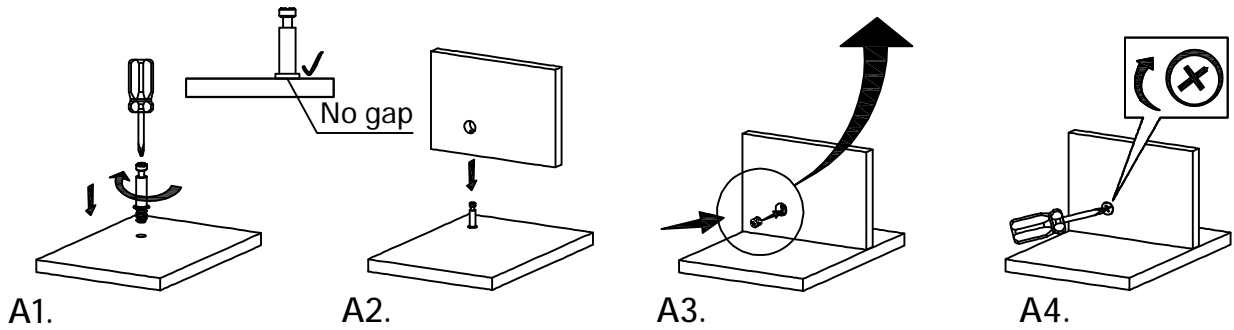
CAM BOLT INSTALLATION AS BELOW:



Rotate connecting piece if found in the position illustrated above.

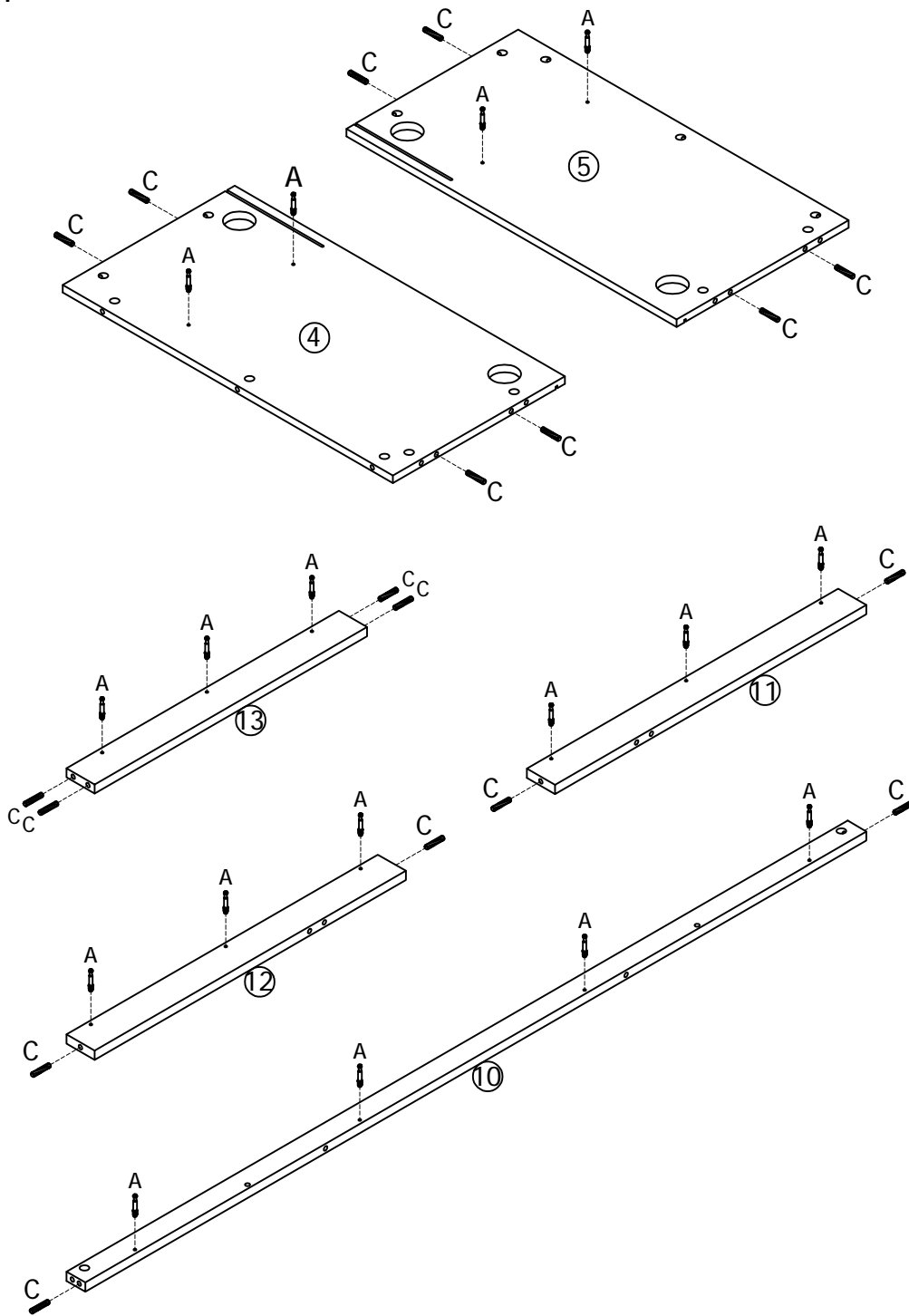




Correct orientation to receive bolts.

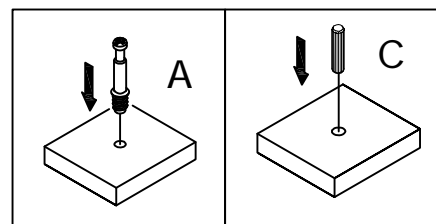


Assembly

STEP1

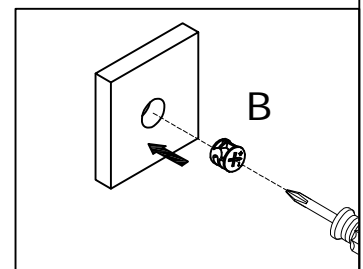
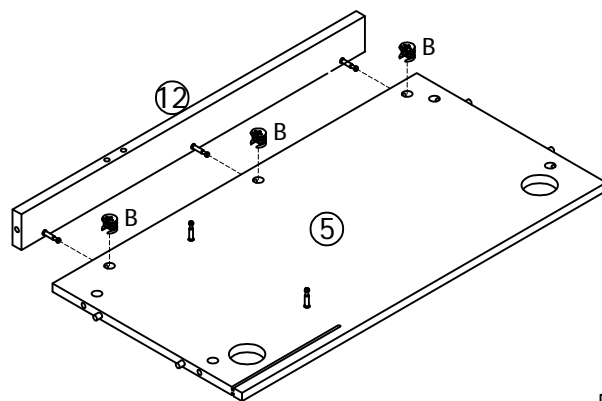
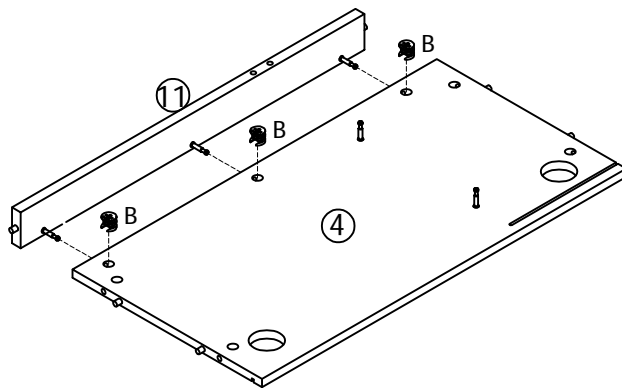
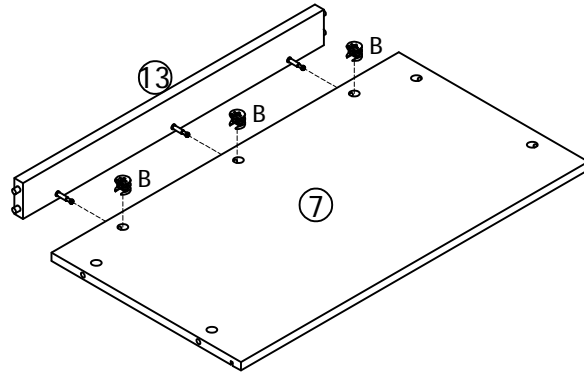


	Cam bolt	17PCS
	Wood dowel	18PCS



Assembly

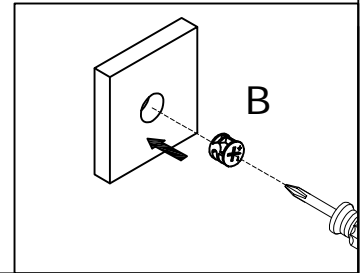
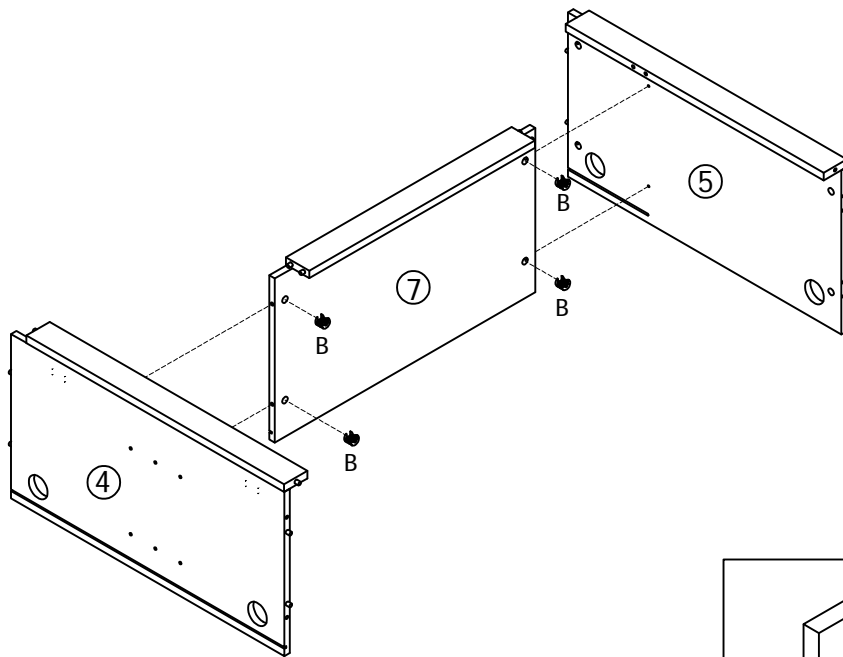
STEP2



Cam lock 9PCS

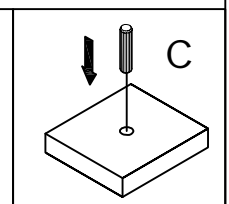
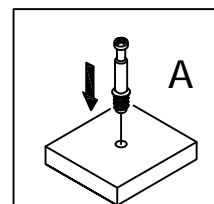
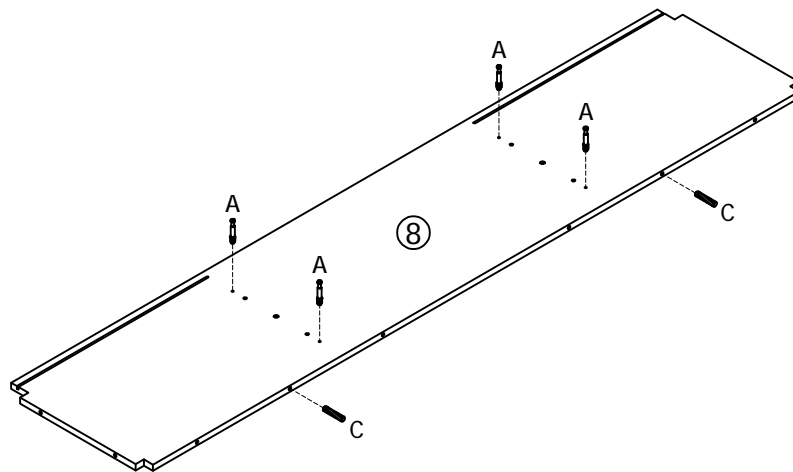
Assembly

STEP3



Cam lock 4PCS

STEP4



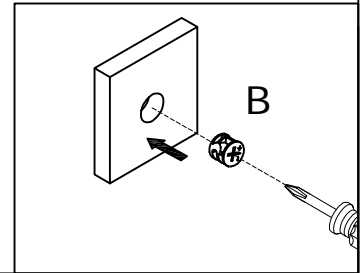
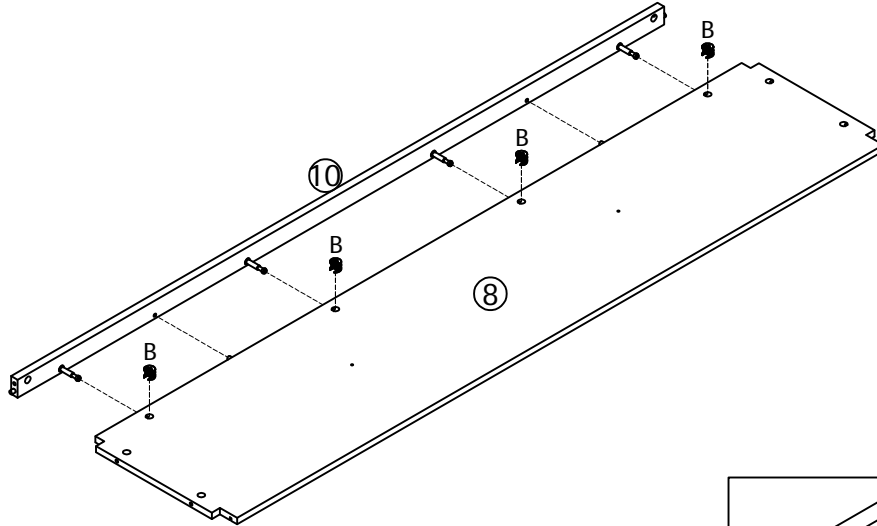
Cam bolt 4PCS



Wood dowel 2PCS

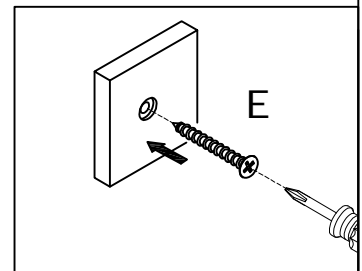
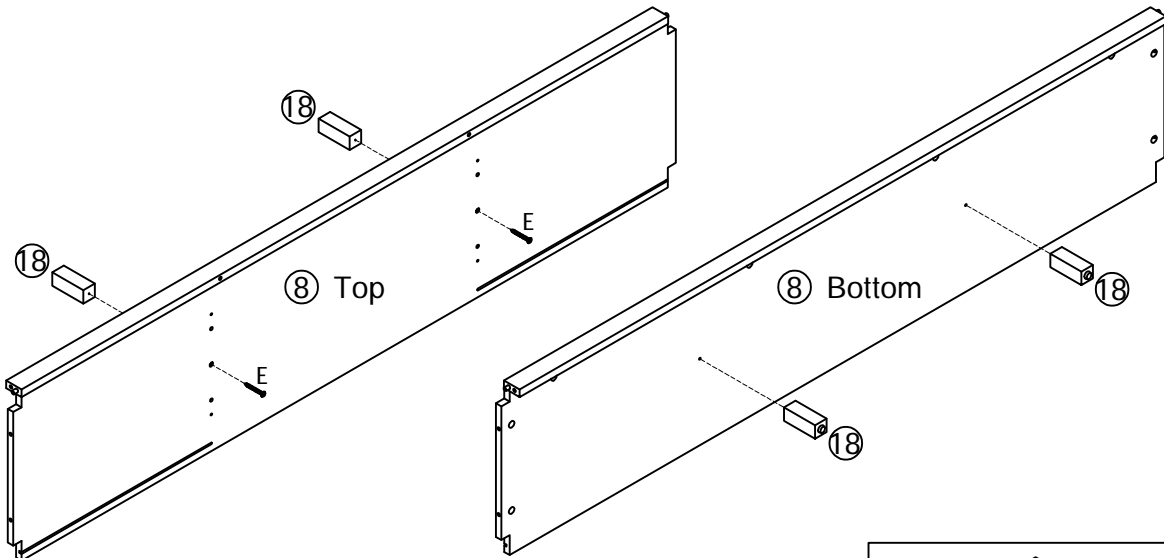
Assembly

STEP5



Cam lock 4PCS

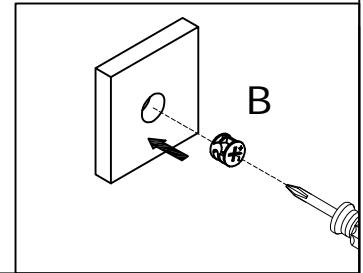
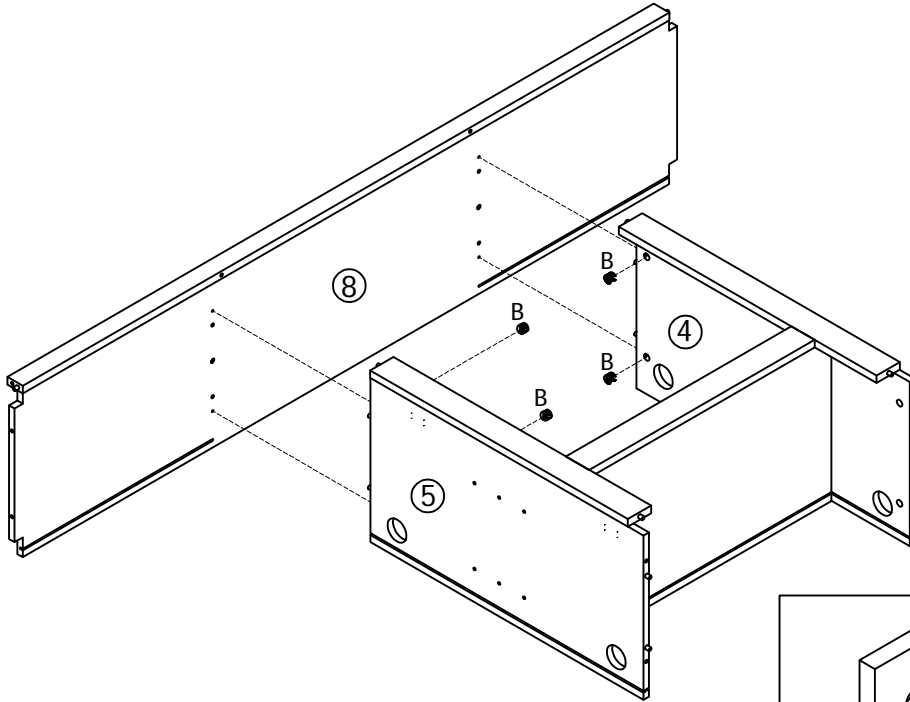
STEP6



Flat head screw 2PCS

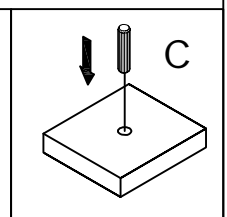
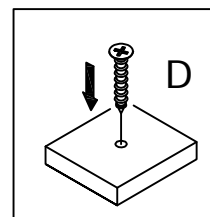
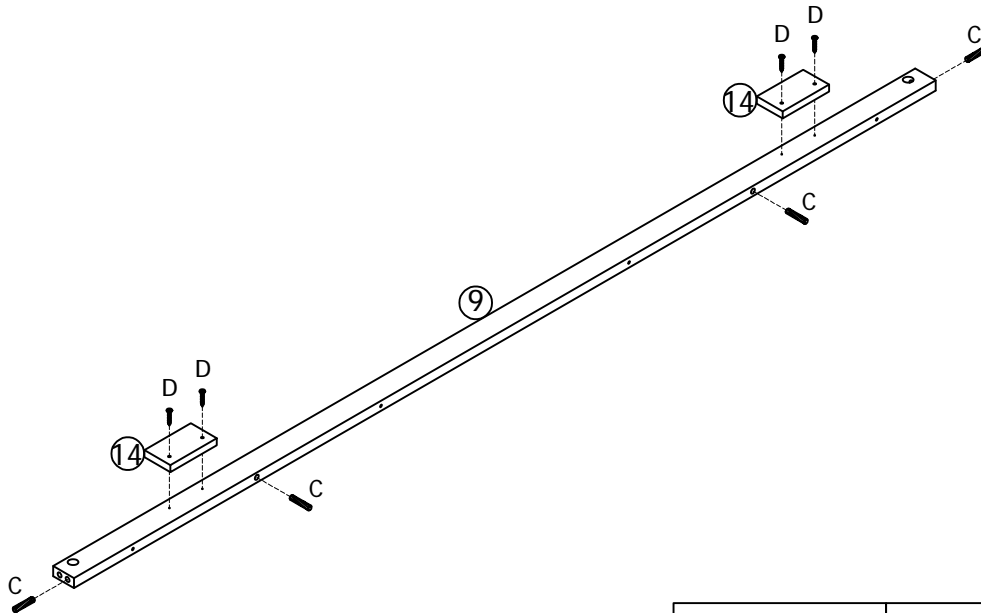
Assembly

STEP7



Cam lock 4PCS

STEP8



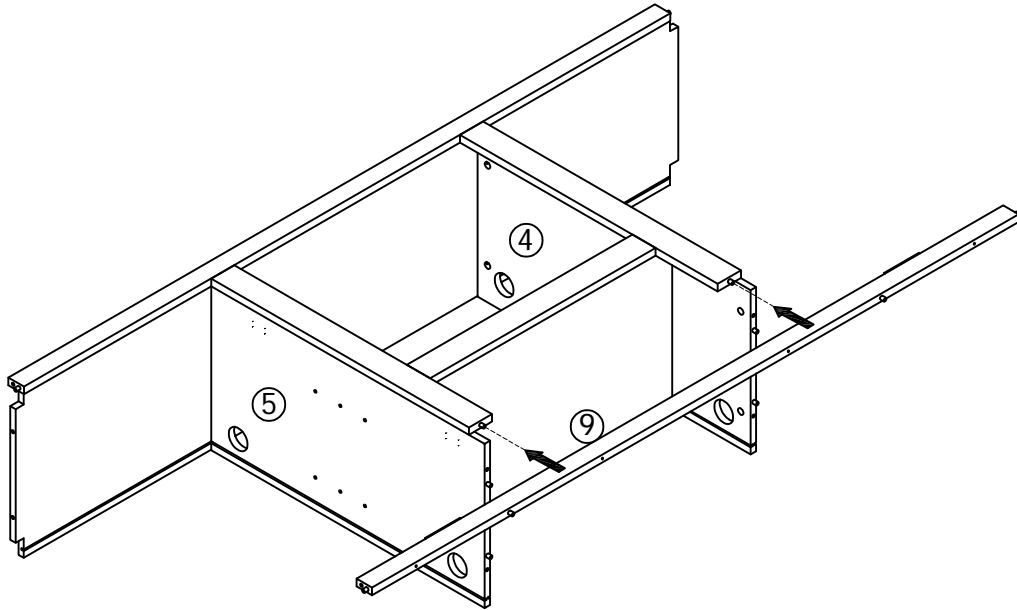
Flat head screw 4PCS



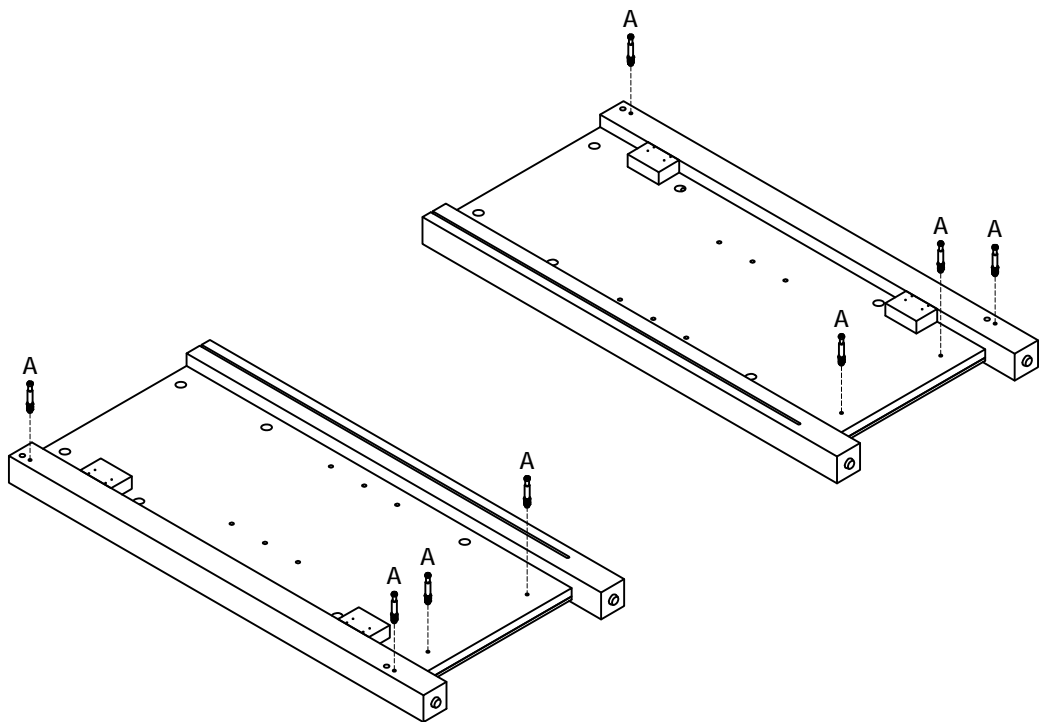
Wood dowel 4PCS

Assembly

STEP9

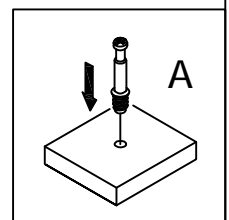


STEP10



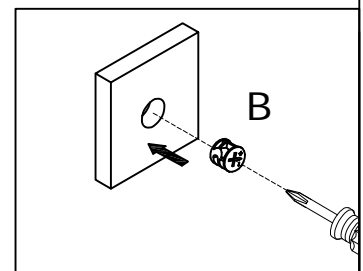
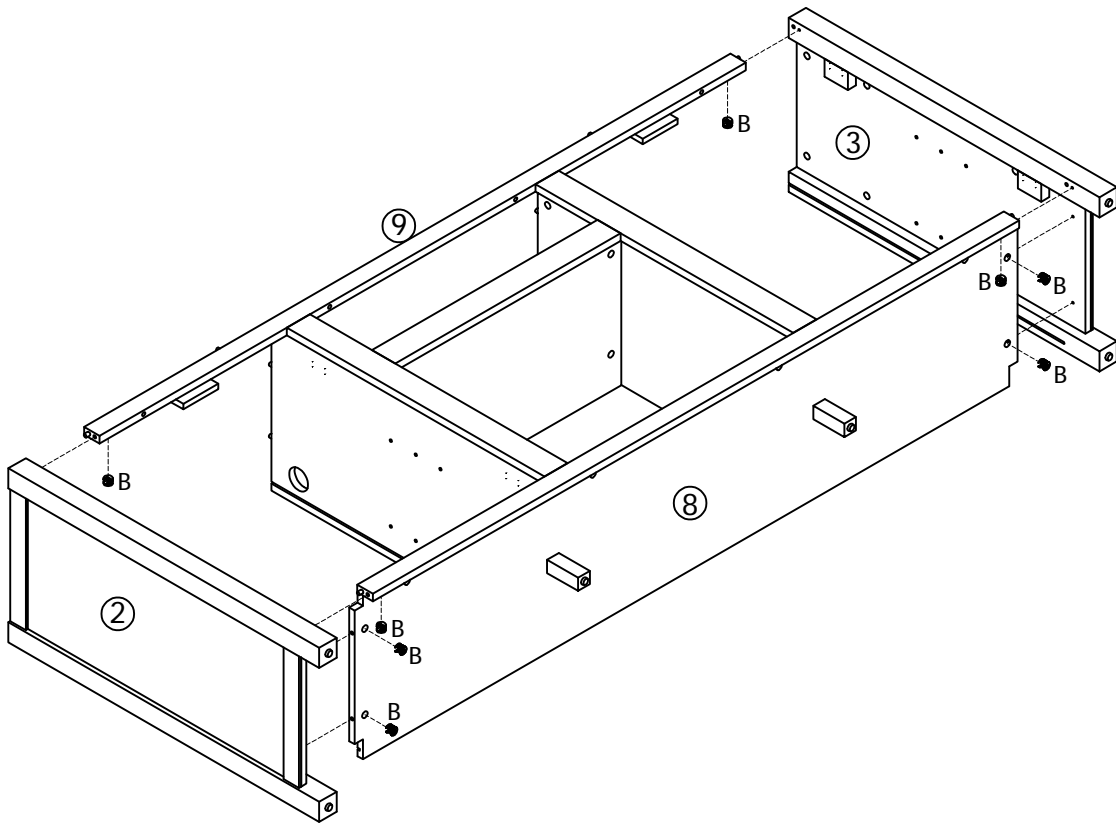
Cam bolt

8PCS



Assembly

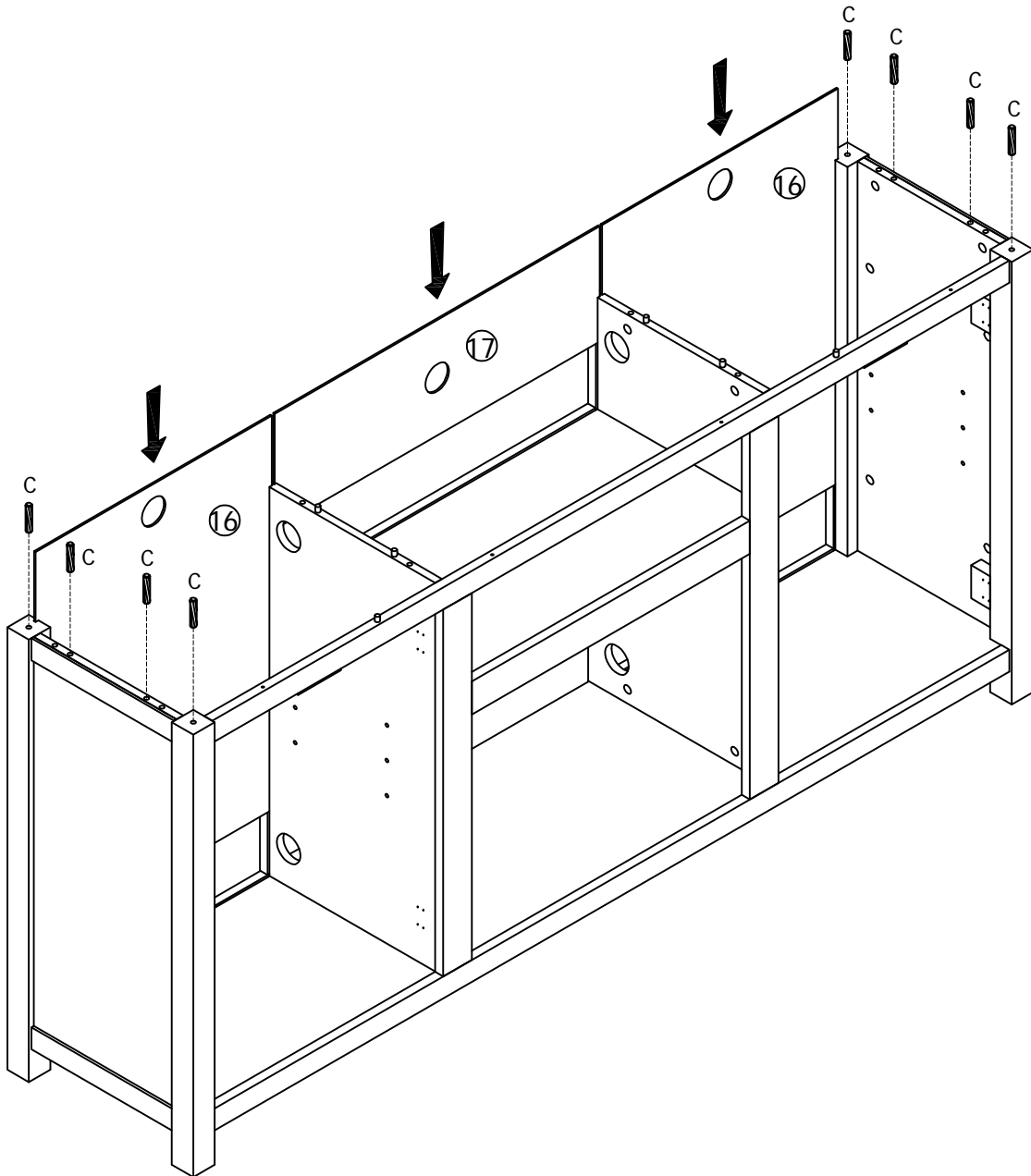
STEP11



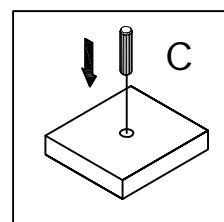
Cam lock 8PCS

Assembly

STEP12

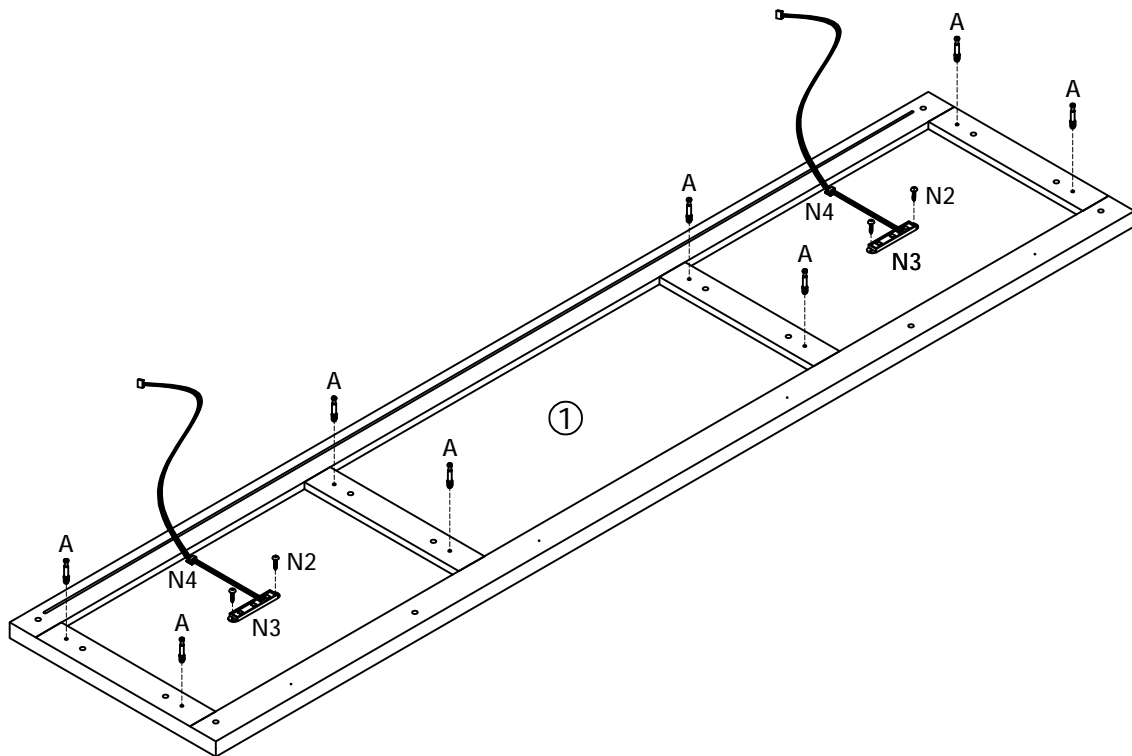





Wood dowel 8PCS

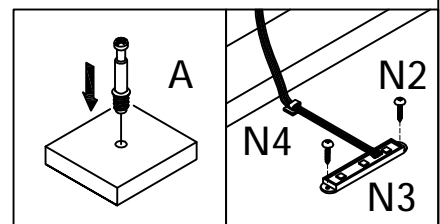


Assembly

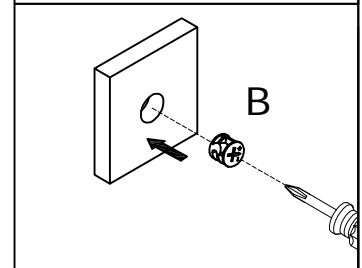
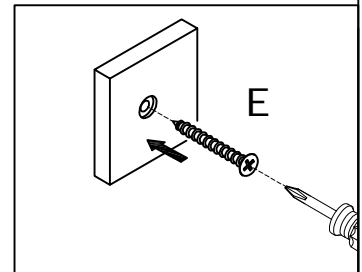
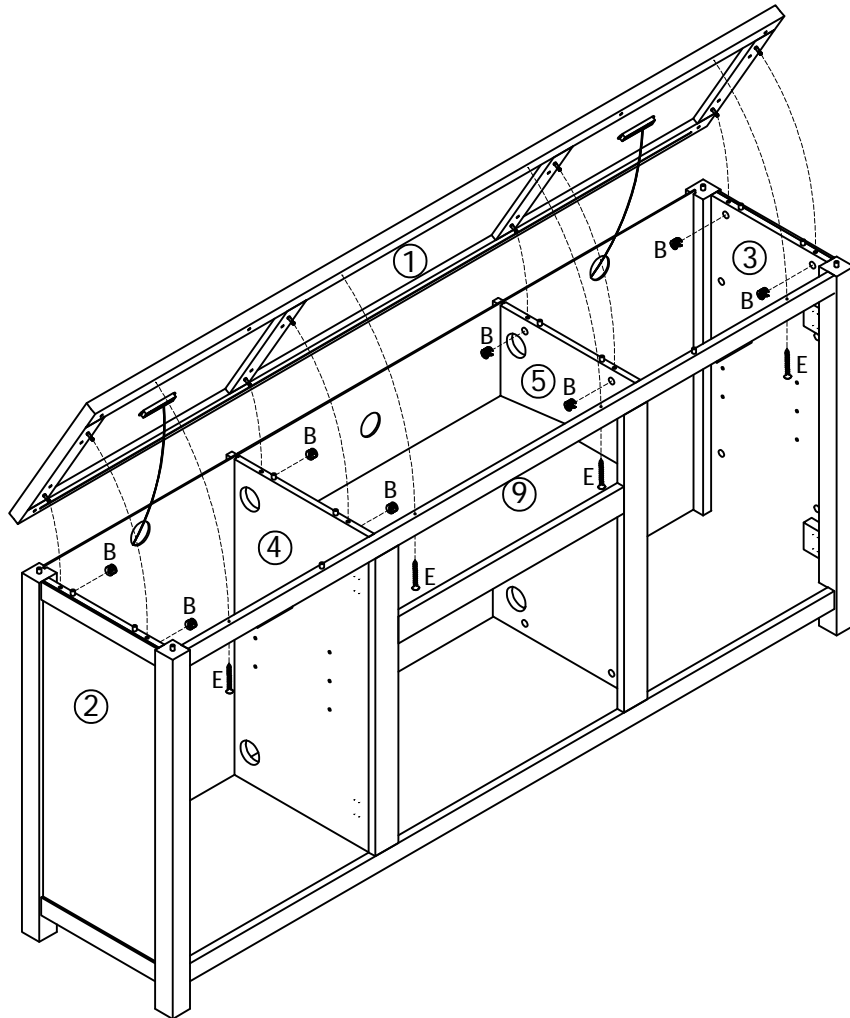
STEP13





	LED light bars 2PCS
	Hook 2PCS
	Cam bolt 8PCS



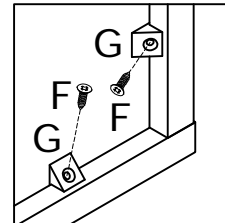
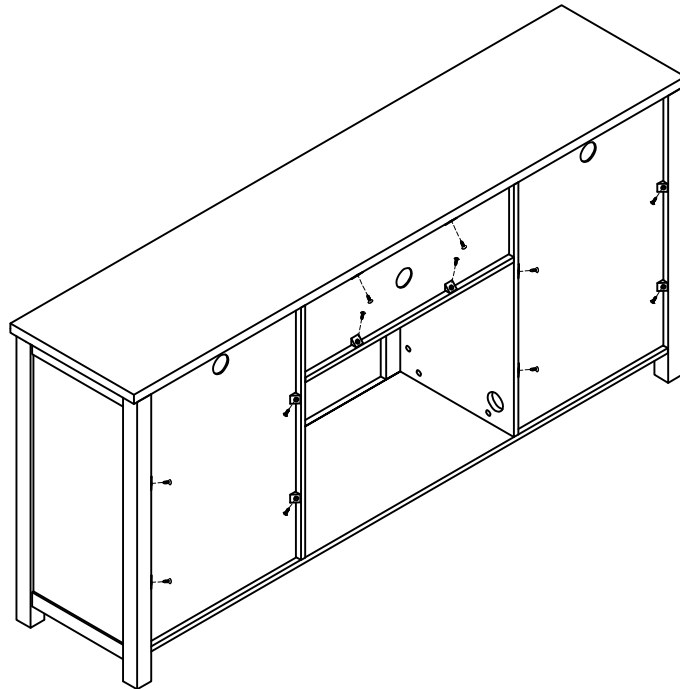
STEP14





	Cam lock	8PCS
	Flat head screw	4PCS

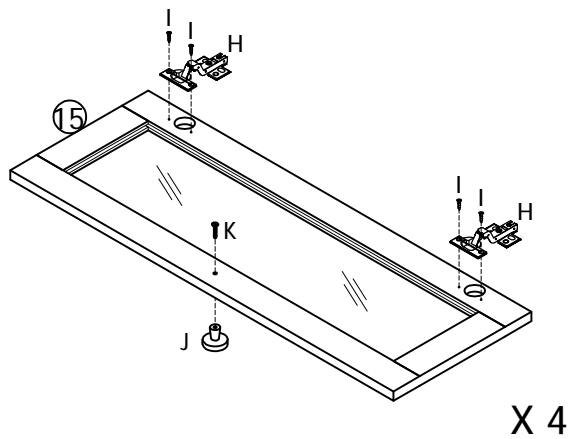
Assembly




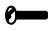
STEP15

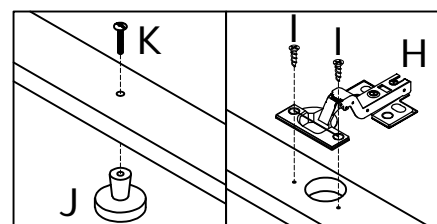


	Flat head screw	12PCS
	Bracket	12PCS

STEP16

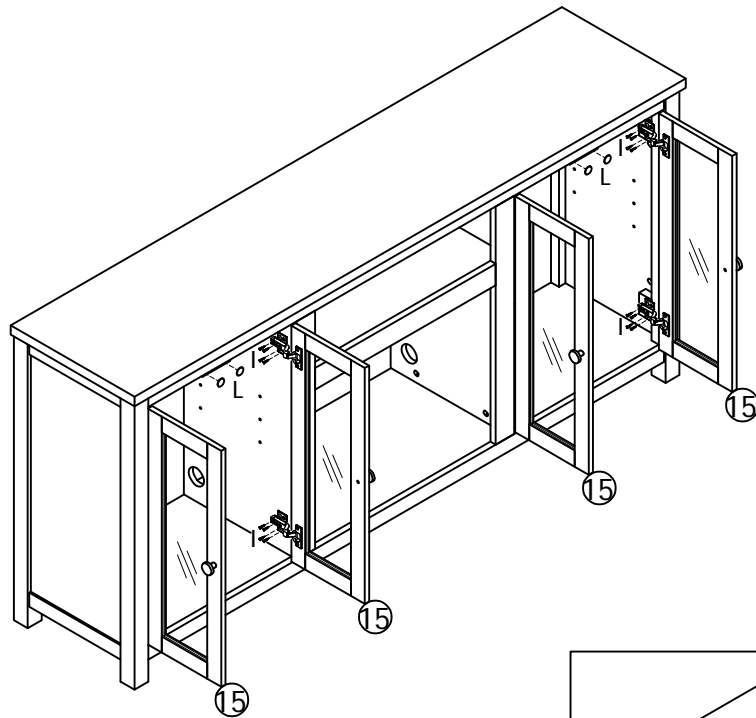




	Hinge	8PCS
	Flat head screw	16PCS
	handle	4PCS
	Bolt	4PCS

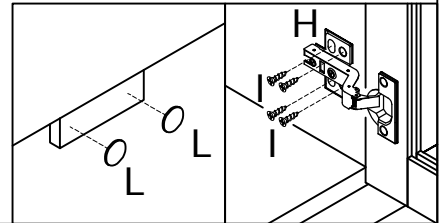


Assembly

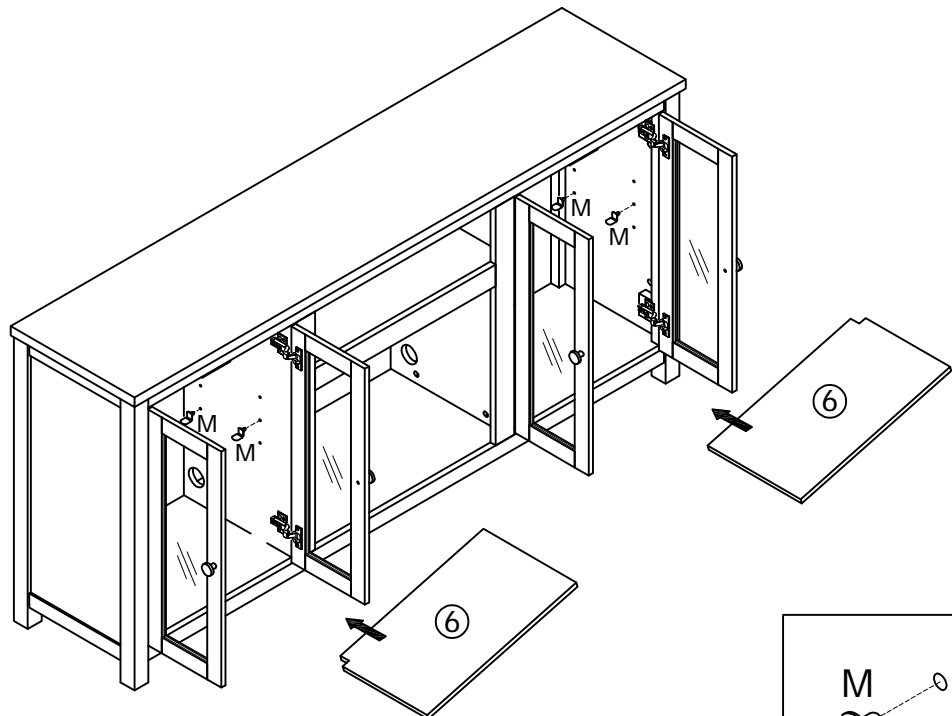
STEP17



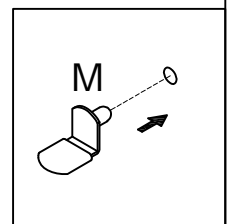
	Flat head screw 32PCS
	Silicone sheet 4PCS



STEP18

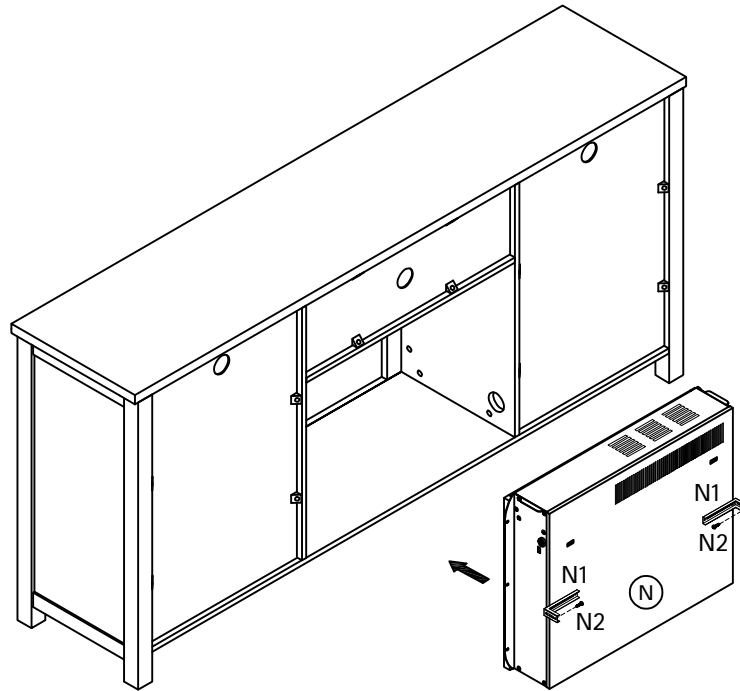





	Shelf pin 8PCS
---	----------------

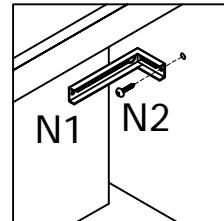


Assembly

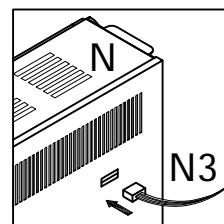
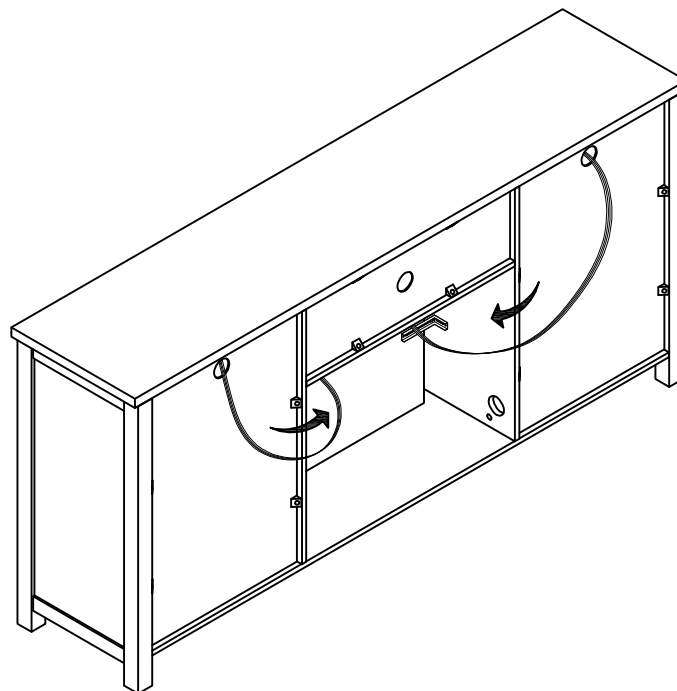
STEP19



	Heater	1PC
	L-Brackets	2PCS
	Screws	2PCS

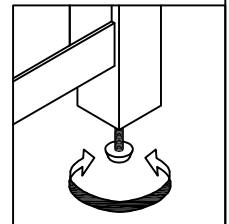
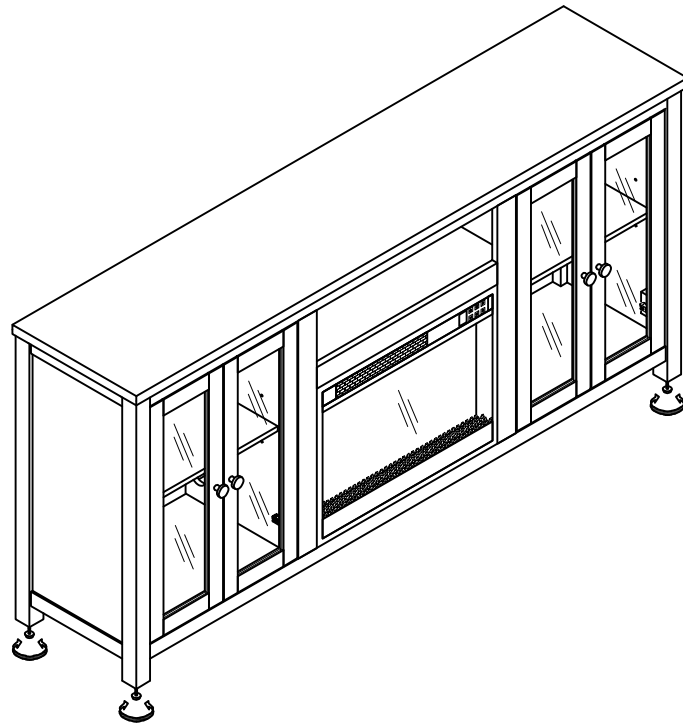


STEP20

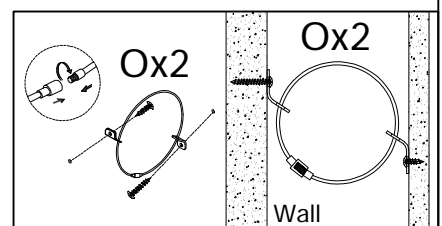
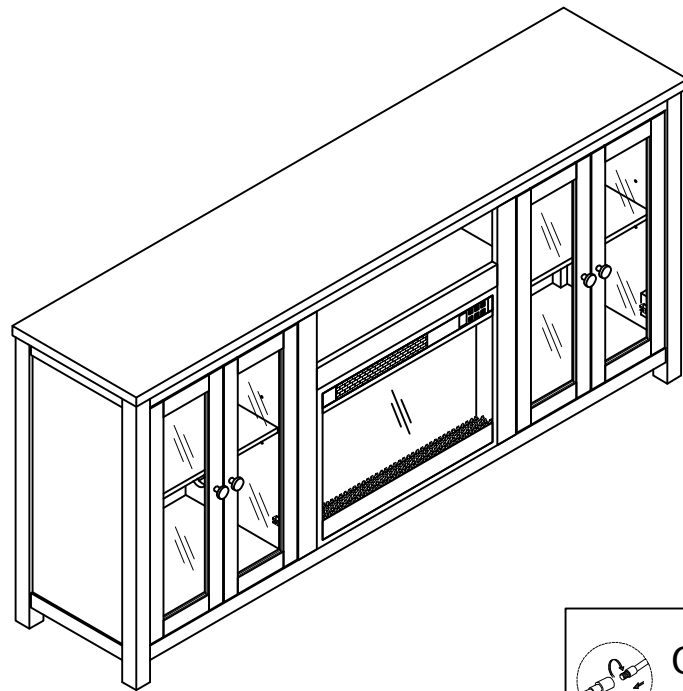


Assembly

STEP21



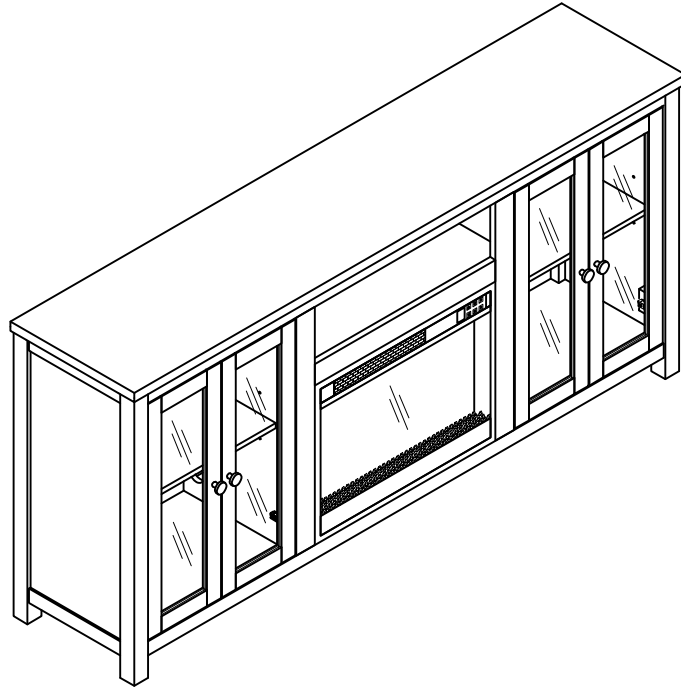
STEP22



Prevent from toppling 2PCS

Assembly

STEP23



Assembly Complete