





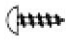




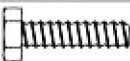

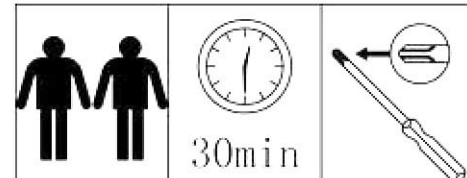


No	Part	Qty
1	Head board	1
2	Right Bedside	1
3	Left Bedside	1
4	Footboard	1
5	Metallic feet	2
6	Angle Iron	2
7	Bed Support	1
8	Bed board	3

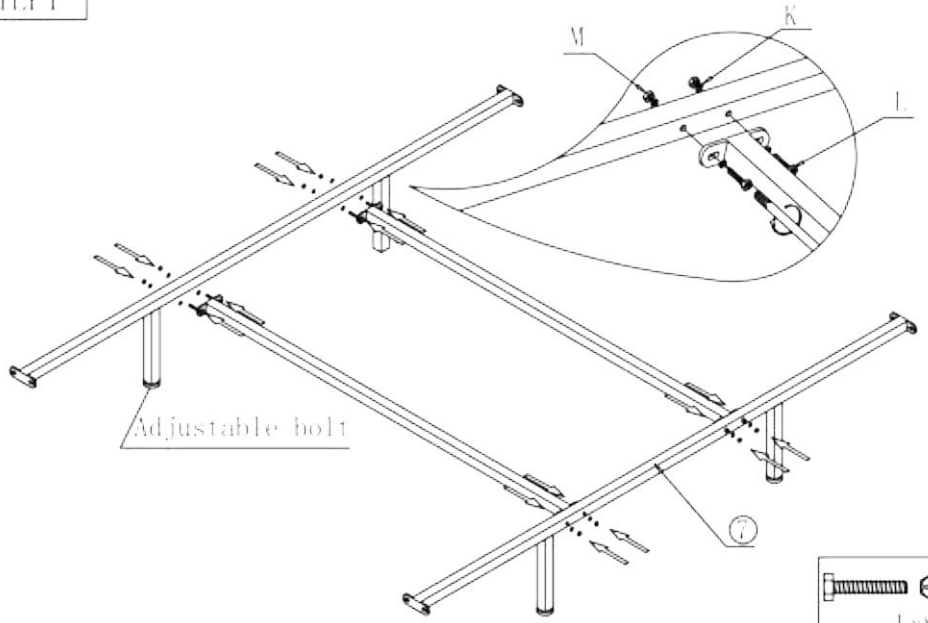
HARDWARE FOR BED		
No	Part	Qty
A	 Threaded Bolt M8x65	4
B	 Maxiluna Washer Ø40x15	8
C	 Nut M8	8
D	 Cover Cap Ø40	8
E	 Spanner M8/13mm	1
F	 Screw M6X18	16
G	 Screw Ø1x20	8
H	 Threaded Bolt M8x110	4
I	 Gasket M8	4
J	 Spanner (5mm)	1

HARDWARE FOR BEDFRAME		
No	Part	Qty
K	 Gasket M6	16
L	 Screw M6X45	8
M	 Nut M6	8

- Please check contents and read instructions before commencing assembly.
- Please use a soft mat to avoid damaging during assembly
- Assemble this article following the enclosed instructions carefully.

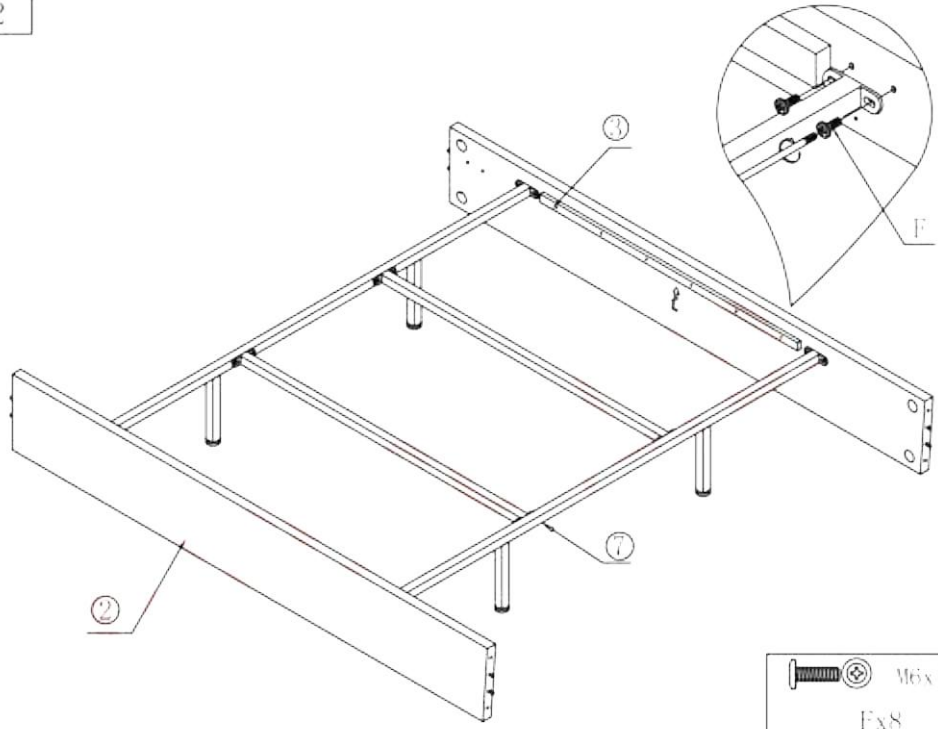


STEP1



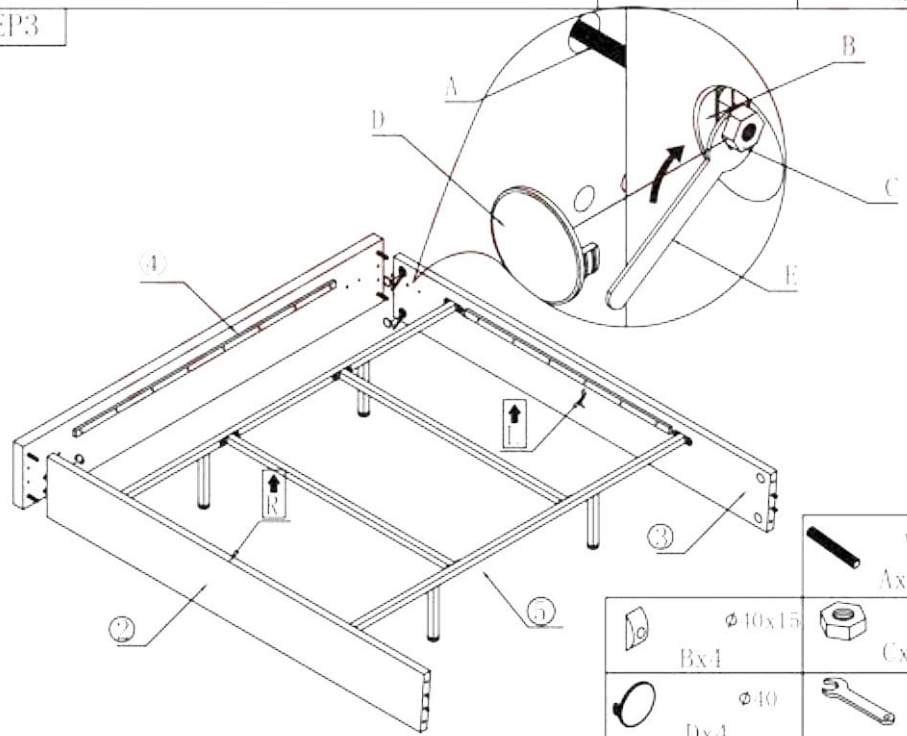
		M6x15
Lx8		
		M6
Kx16	Mx8	

STEP2



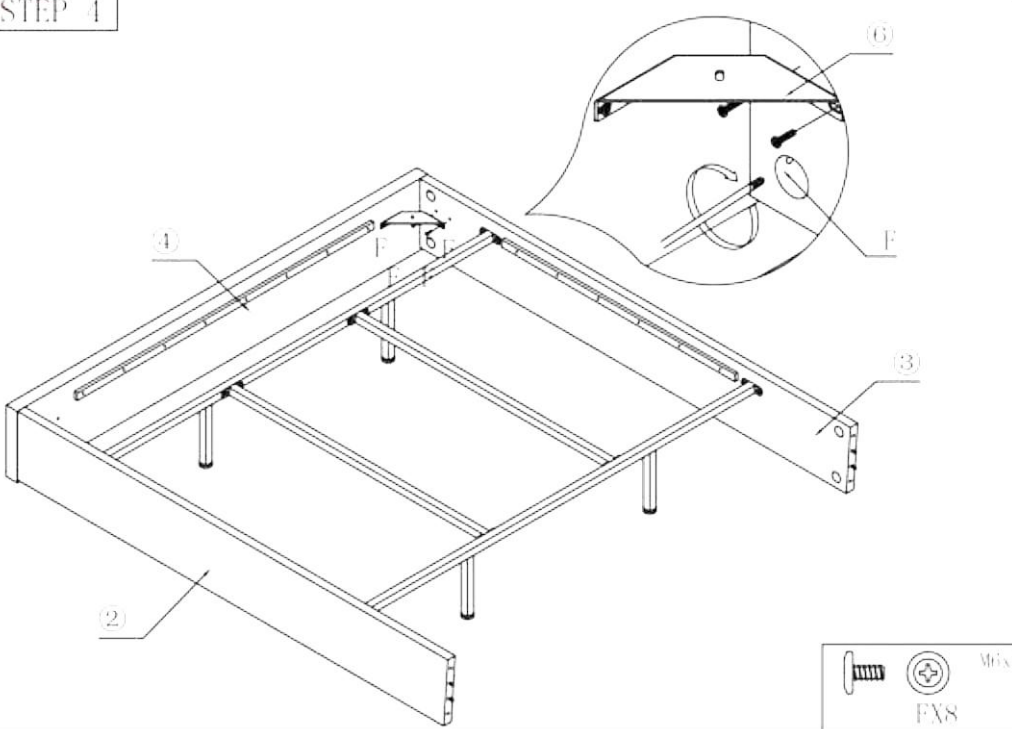
	M6x18
Fx8	

STEP3



	M8x65
Ax1	
	Nut M8
Bx1	Cx1
	$\phi 10 \times 15$
Dx1	$\phi 10$
	Ex1

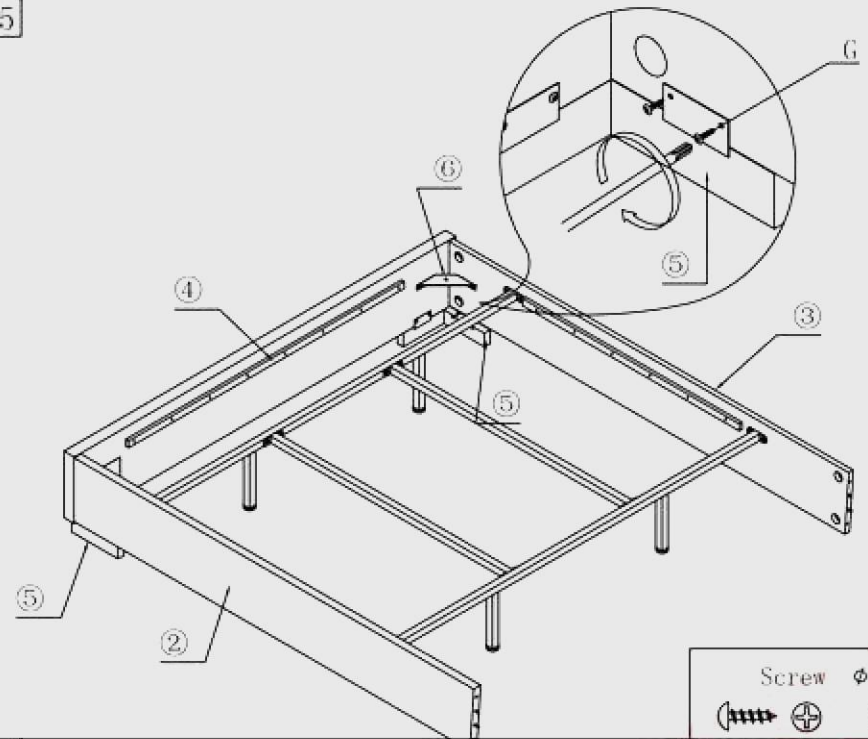
STEP 4



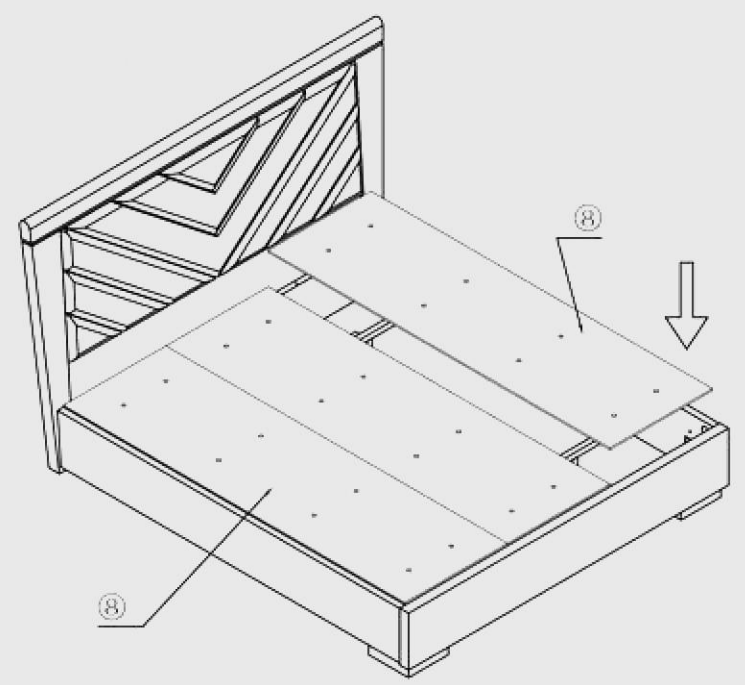
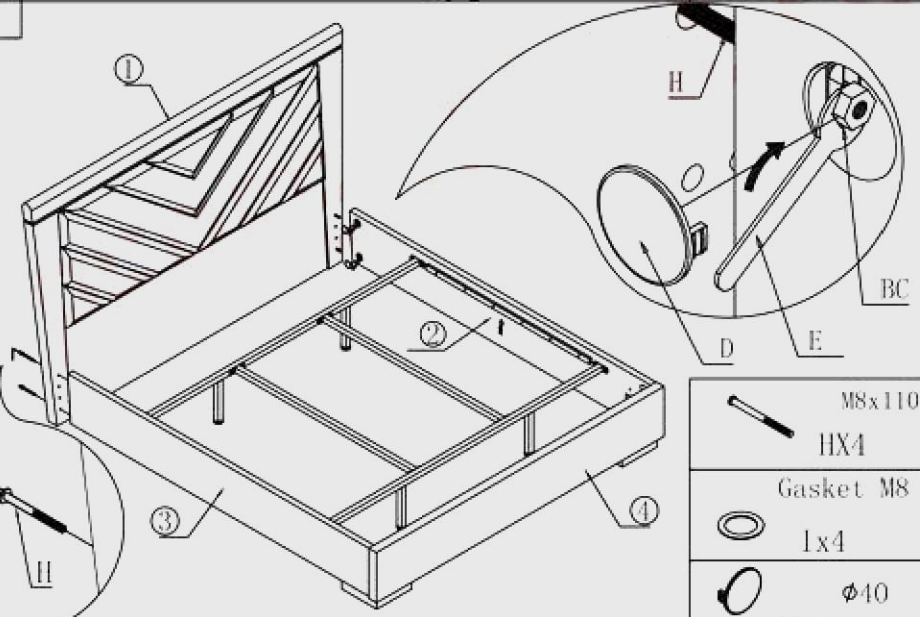
	M6x18
Fx8	

STEP 5





STEP7



STEP6



Screw $\phi 4 \times 20$
 \oplus Gx8

-  M8x110
HX4
-  Gasket M8
1x4
-  $\phi 40$
Dx4
-  Nut M8
Cx4

-  Jx1
-  Ex1
-  $\phi 40 \times 15$
Bx4