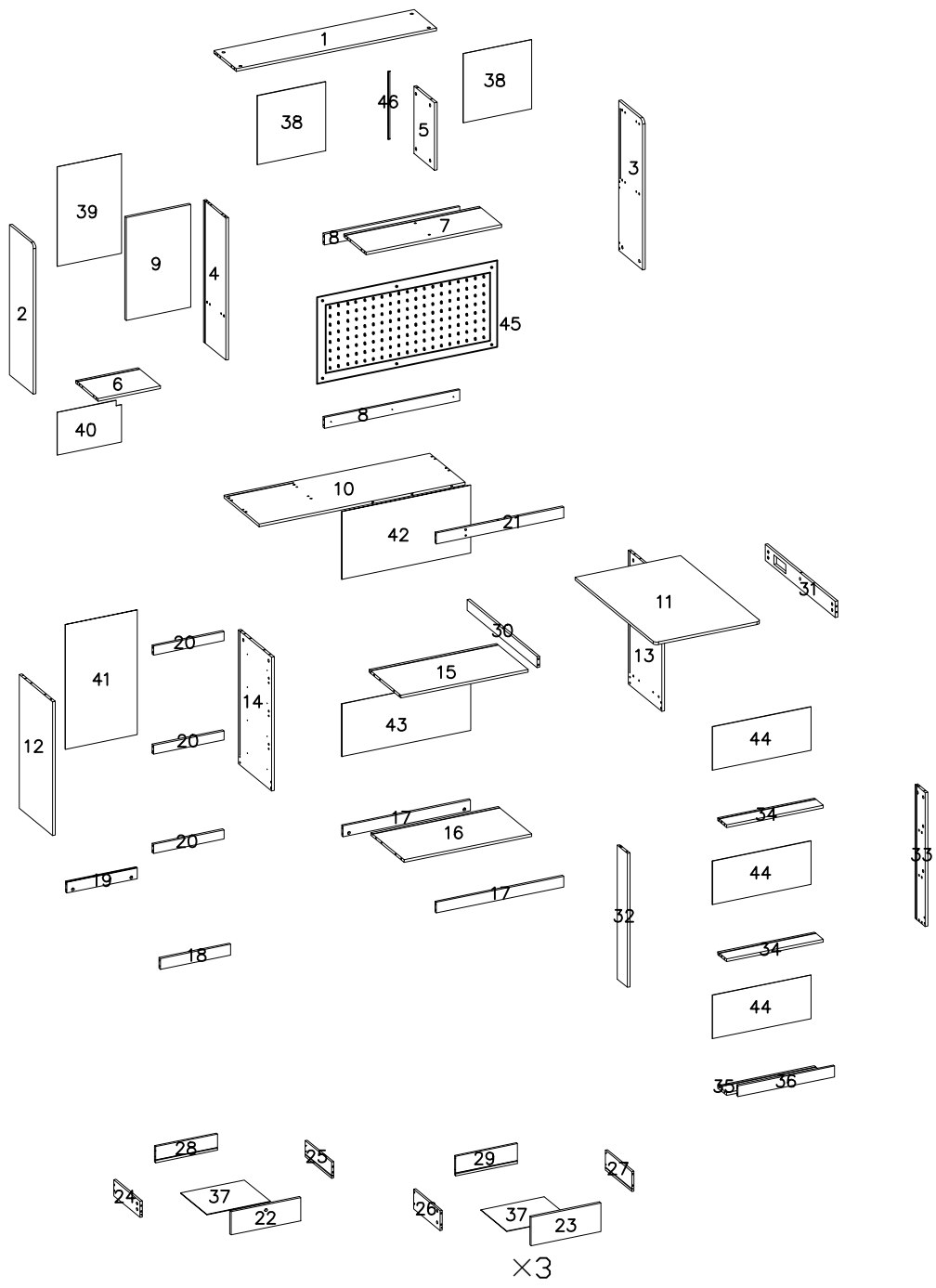









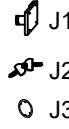



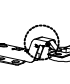
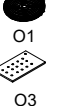
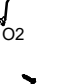
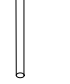
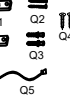



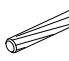
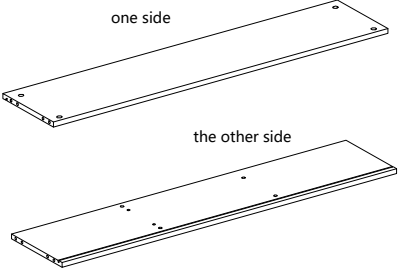
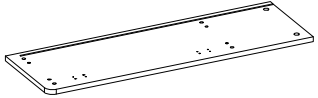
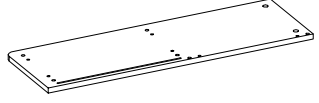
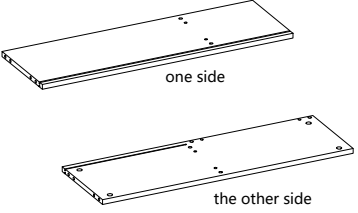
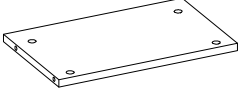
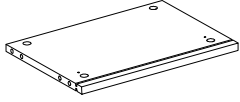
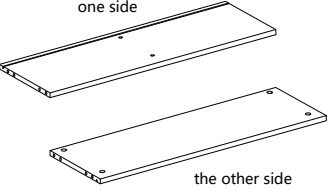
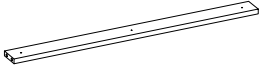
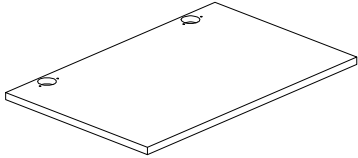
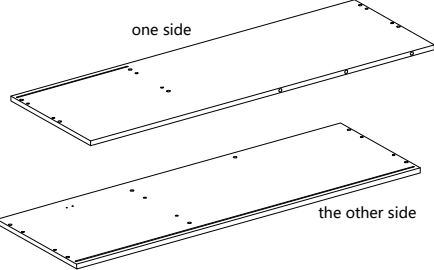
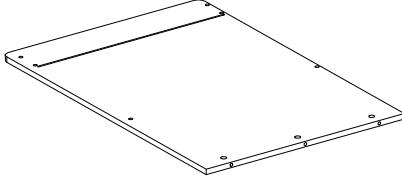
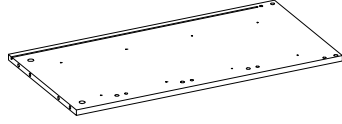


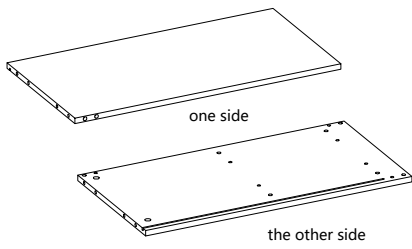
DESK



 88PCS	 88PCS	 16PCS	 16PCS	 8*30mm 54PCS	 M3.5*14mm 86PCS	 M3.5*14mm 6PCS	 M3.5*16mm 4PCS	 M3.5*35mm 16PCS
 1PC	 1PC	 L=300mm 4PCS	 1PC	 2PCS	 O1 O2 O3	 O4*2 O5*2 1PC	 L=570mm 2PCS	 Q1 Q2 Q1 Q3 Q4 Q5 2PCS
 12PCS	 40PCS	 104PCS	 8*50mm 2PCS					

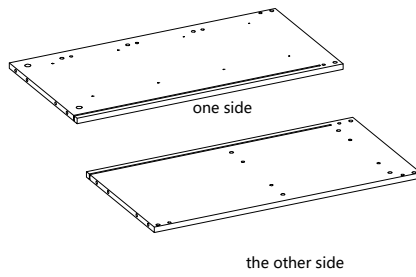
<p>1</p>  <p>254*1139*15mm 1PC</p>	<p>2</p>  <p>835*270*15mm 1PC</p>	<p>3</p>  <p>835*270*15mm 1PC</p>
<p>4</p>  <p>790*254*15mm 1PC</p>	<p>5</p>  <p>375*233*15mm 1PC</p>	<p>6</p>  <p>253*355*15mm 1PC</p>
<p>7</p>  <p>253*769*15mm 1PC</p>	<p>8</p>  <p>769*60*15mm 2PCS</p>	<p>9</p>  <p>572*367*15mm 1PC</p>
<p>10</p>  <p>400*1170*15mm 1PC</p>	<p>11</p>  <p>910*600*15mm 1PC</p>	<p>12</p>  <p>745*380*15mm 1PC</p>

13



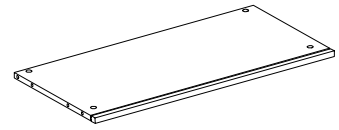
745*380*15mm 1PC

14



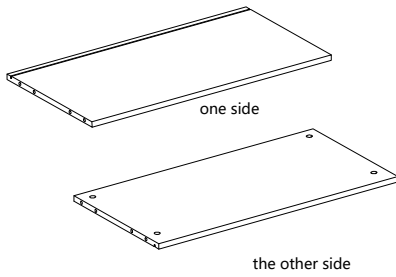
745*380*15mm 1PC

15



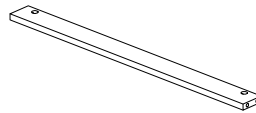
360*724*15mm 1PC

16



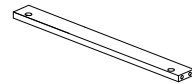
379*724*15mm 1PC

17



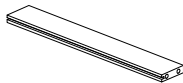
724*60*15mm 2PCS

18



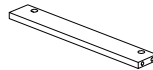
400*60*15mm 1PC

19



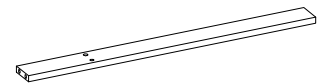
400*60*15mm 1PC

20



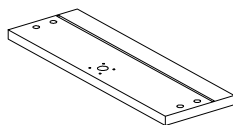
400*50*15mm 3PCS

21



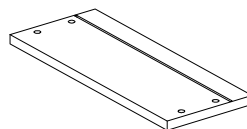
724*60*15mm 1PC

22



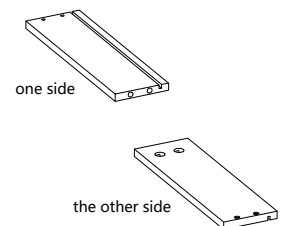
129*396*15mm 1PC

23

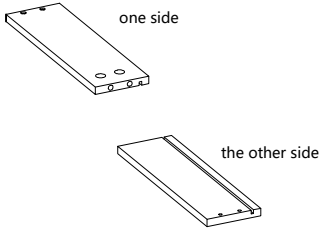
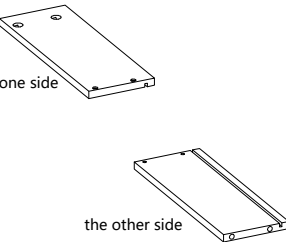
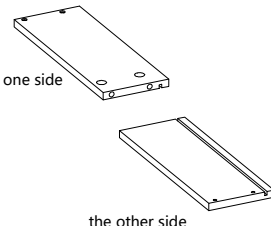
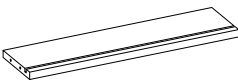
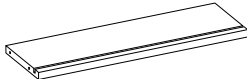
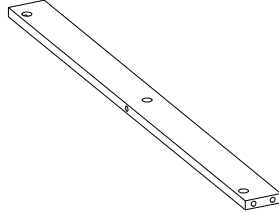
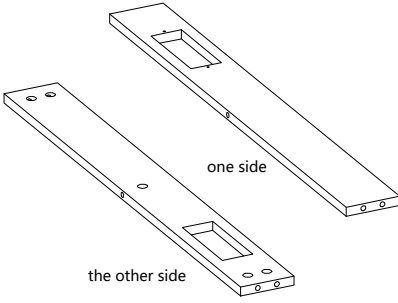
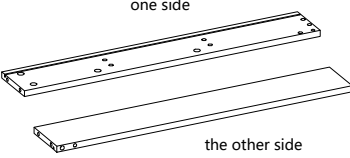
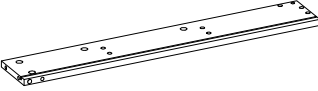
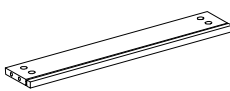
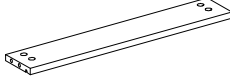
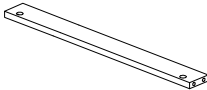


159*396*15mm 3PCS

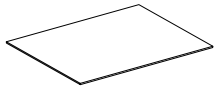
24



90*300*12mm 1PC

<p>25</p>  <p>one side</p> <p>the other side</p> <p>90*300*12mm 1PC</p>	<p>26</p>  <p>one side</p> <p>the other side</p> <p>110*300*12mm 3PCS</p>	<p>27</p>  <p>one side</p> <p>the other side</p> <p>110*300*12mm 3PCS</p>
<p>28</p>  <p>90*351*12mm 1PC</p>	<p>29</p>  <p>110*351*12mm 3PCS</p>	<p>30</p>  <p>795*60*15mm 1PC</p>
<p>31</p>  <p>one side</p> <p>the other side</p> <p>90*795*15mm 1PC</p>	<p>32</p>  <p>one side</p> <p>the other side</p> <p>745*115*15mm 1PC</p>	<p>33</p>  <p>745*115*15mm 1PC</p>
<p>34</p>  <p>99.5*549.5*15mm 2PCS</p>	<p>35</p>  <p>99.5*549.5*15mm 1PC</p>	<p>36</p>  <p>549.5*60*15mm 1PC</p>

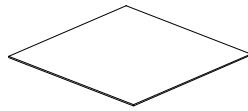
37



361*297*3mm

4PCS

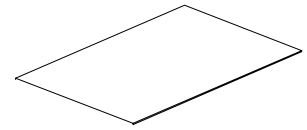
38



388*385*3mm

2PCS

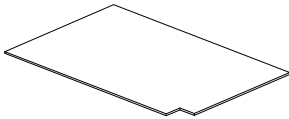
39



554*364*3mm

1PC

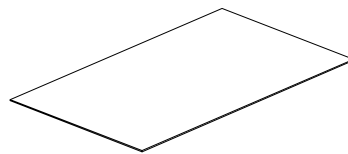
40



239*364*3mm

1PC

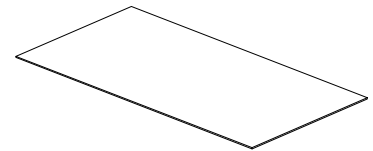
41



693*410*3mm

1PC

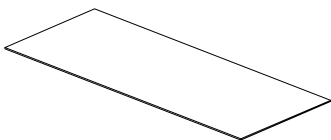
42



378*733*3mm

1PC

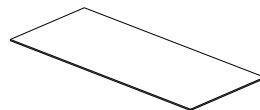
43



294*733*3mm

1PC

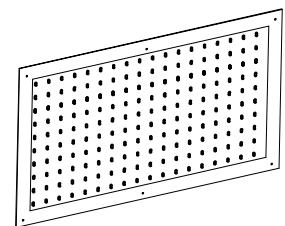
44



559.5*242*3mm

3PCS

45



766*396*3mm

1PC

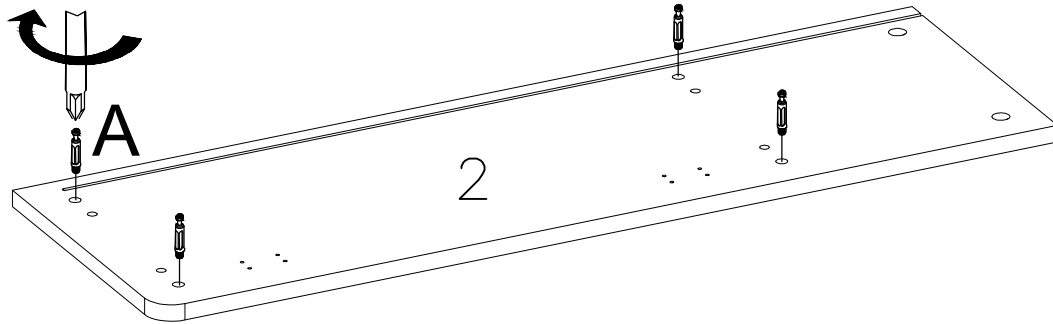
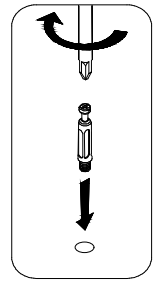
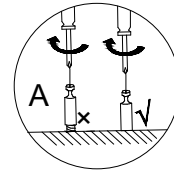
46




L=373mm

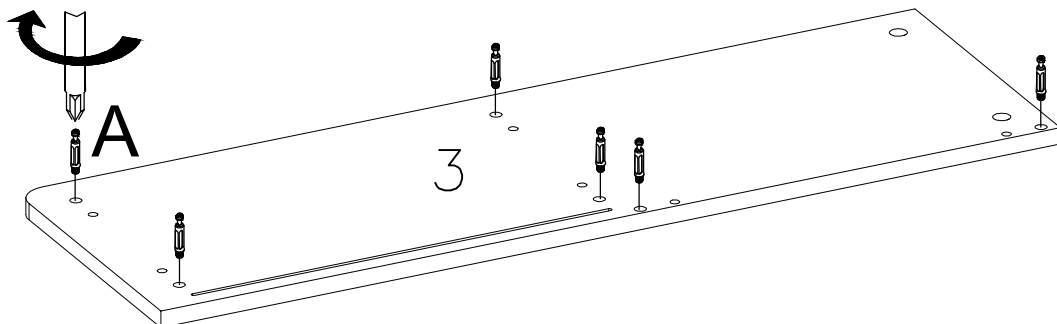
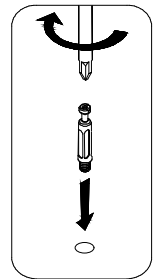
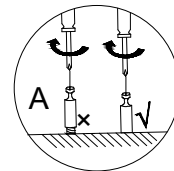
1PC


STEP 1



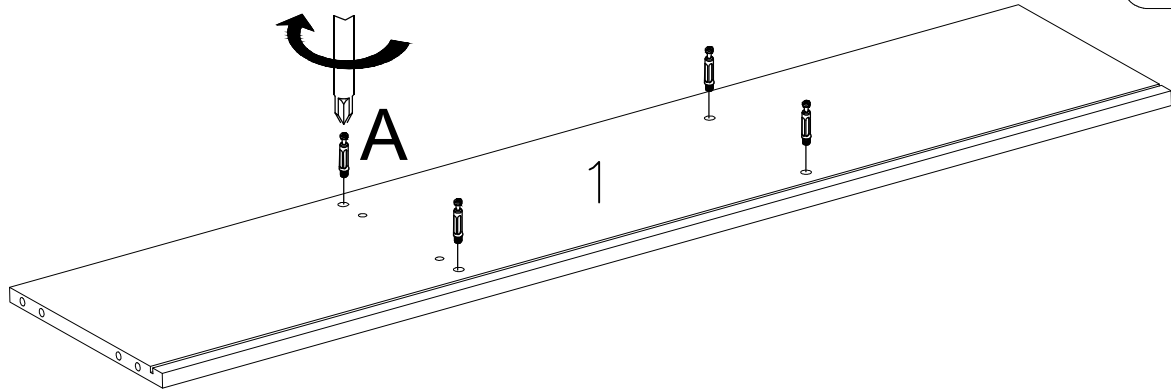
 A × 4PCS


STEP 2



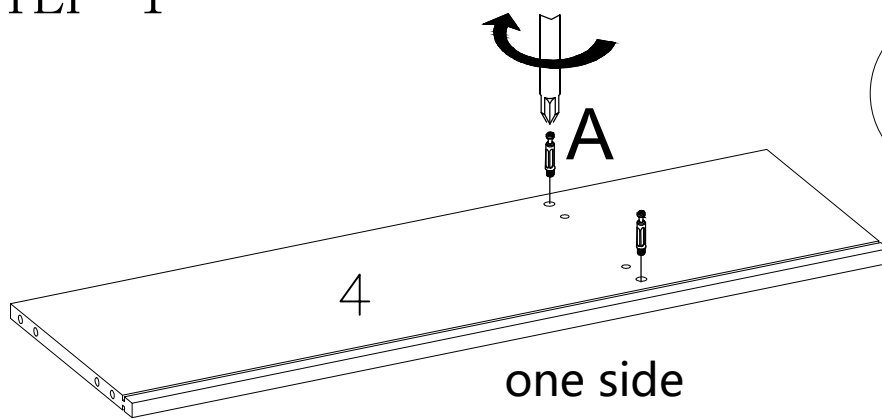
 A × 6PCS

STEP 3

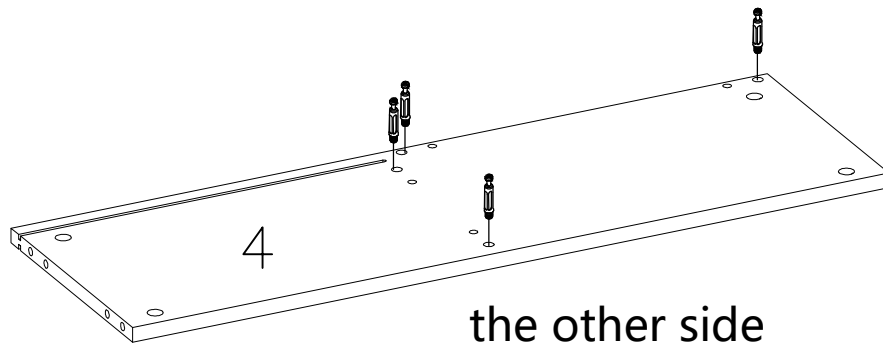


 A × 4PCS

STEP 4



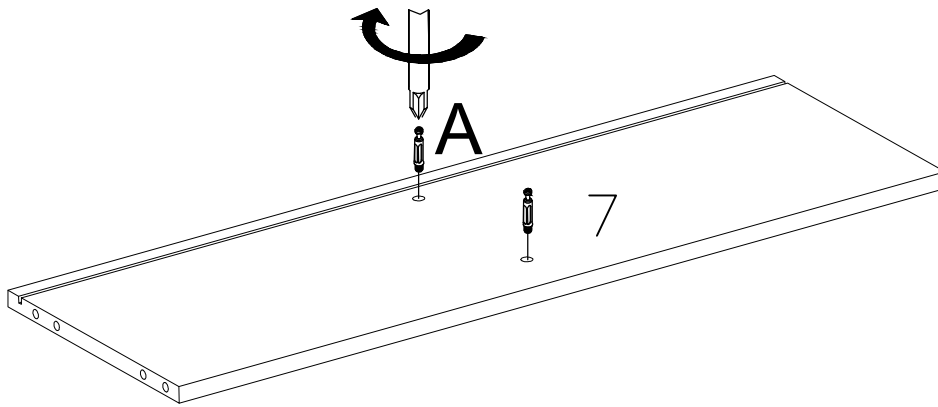
one side




the other side

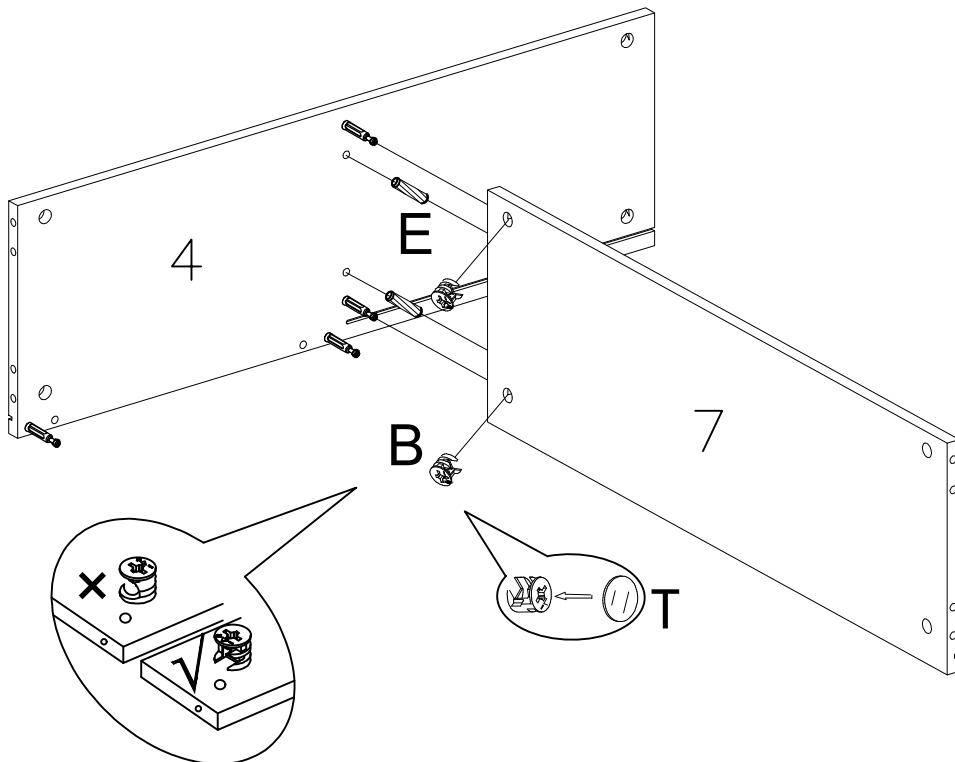
 A × 6PCS




STEP 5



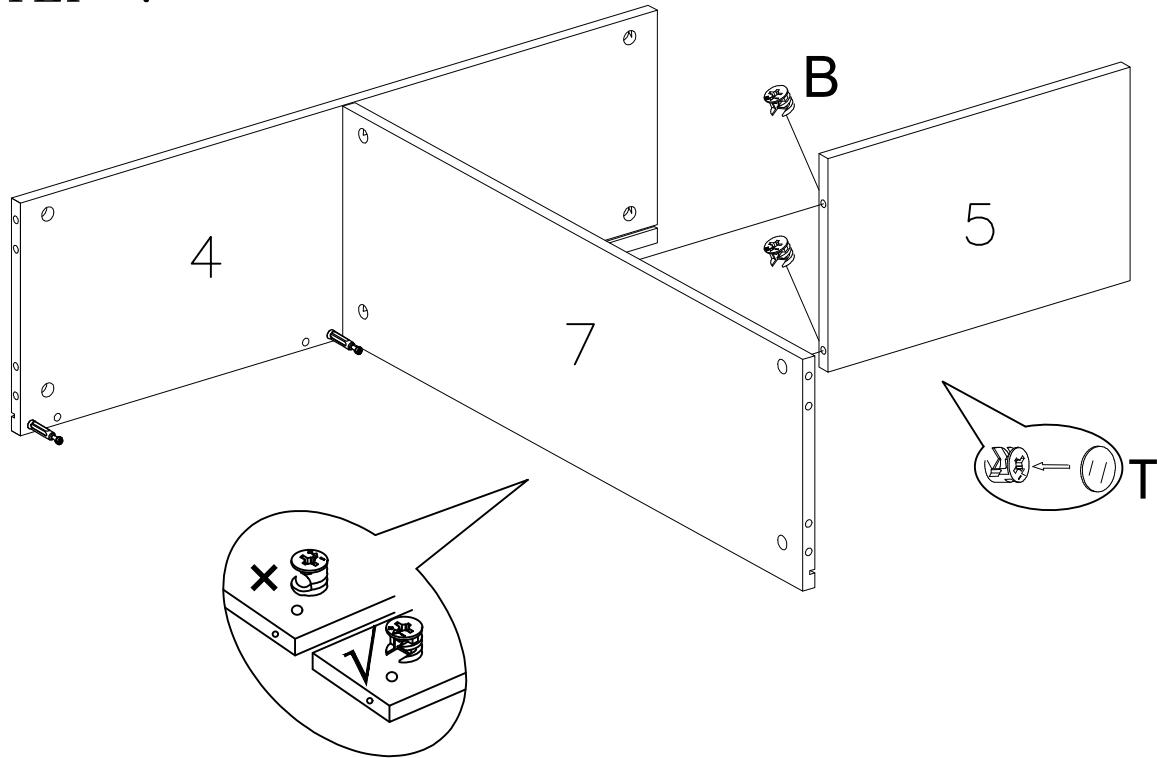
	A × 2PCS
---	----------



STEP 6



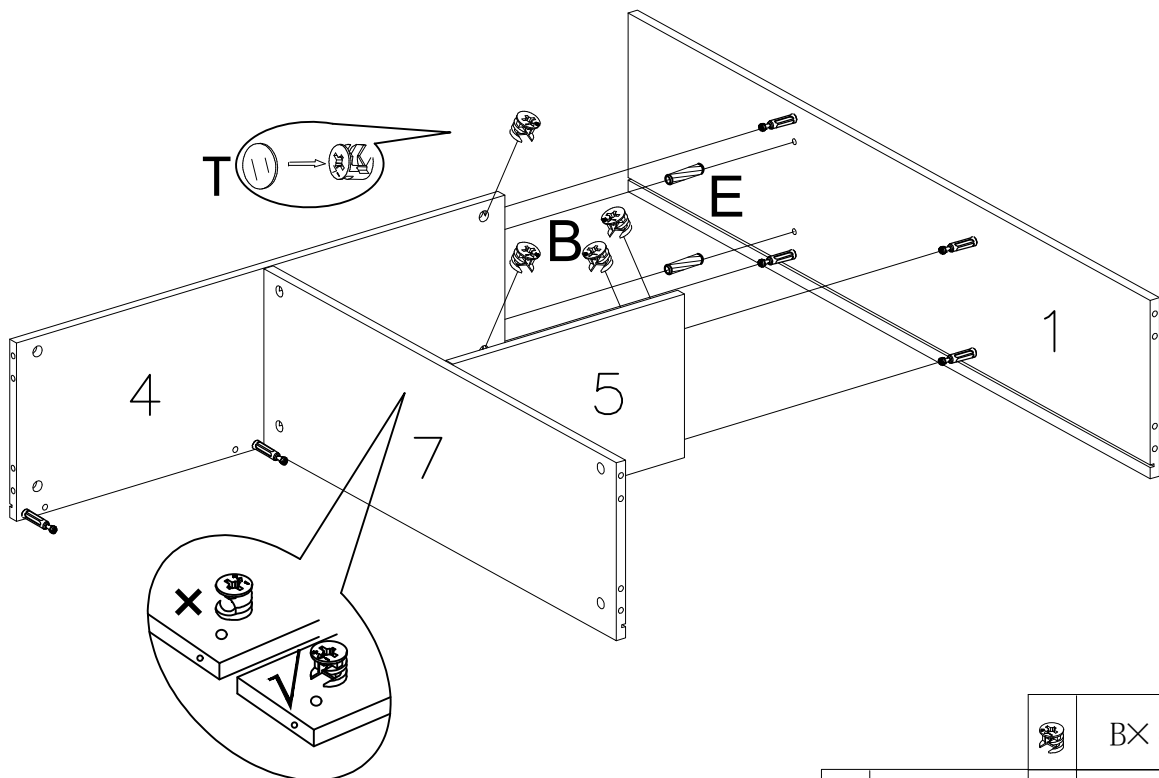
	E × 2PCS		B × 2PCS
			T × 2PCS




STEP 7



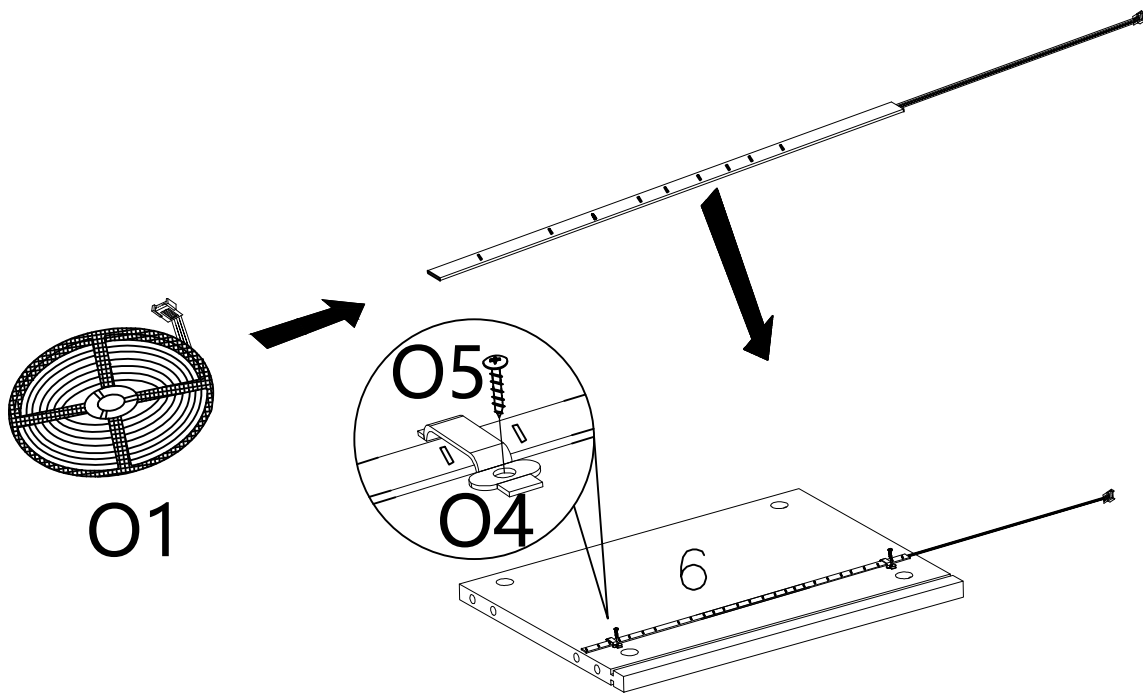
	B × 2PCS
	T × 2PCS




STEP 8



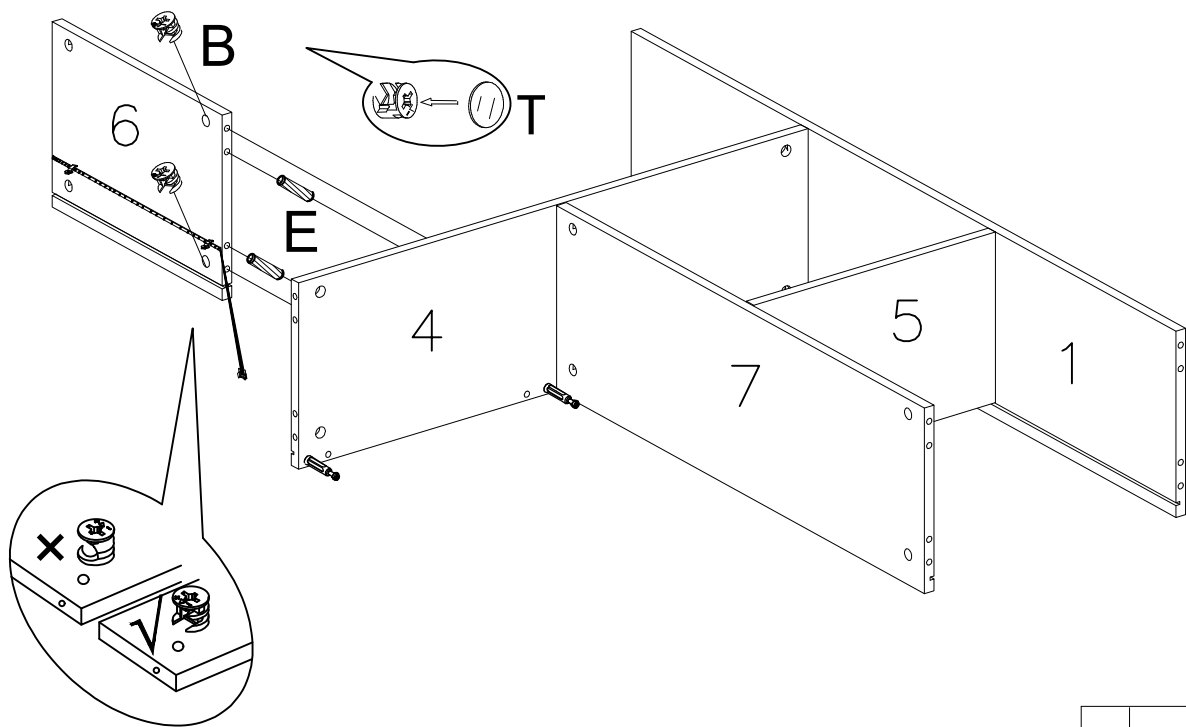
	B × 4PCS
	E × 2PCS
	T × 4PCS





STEP 9



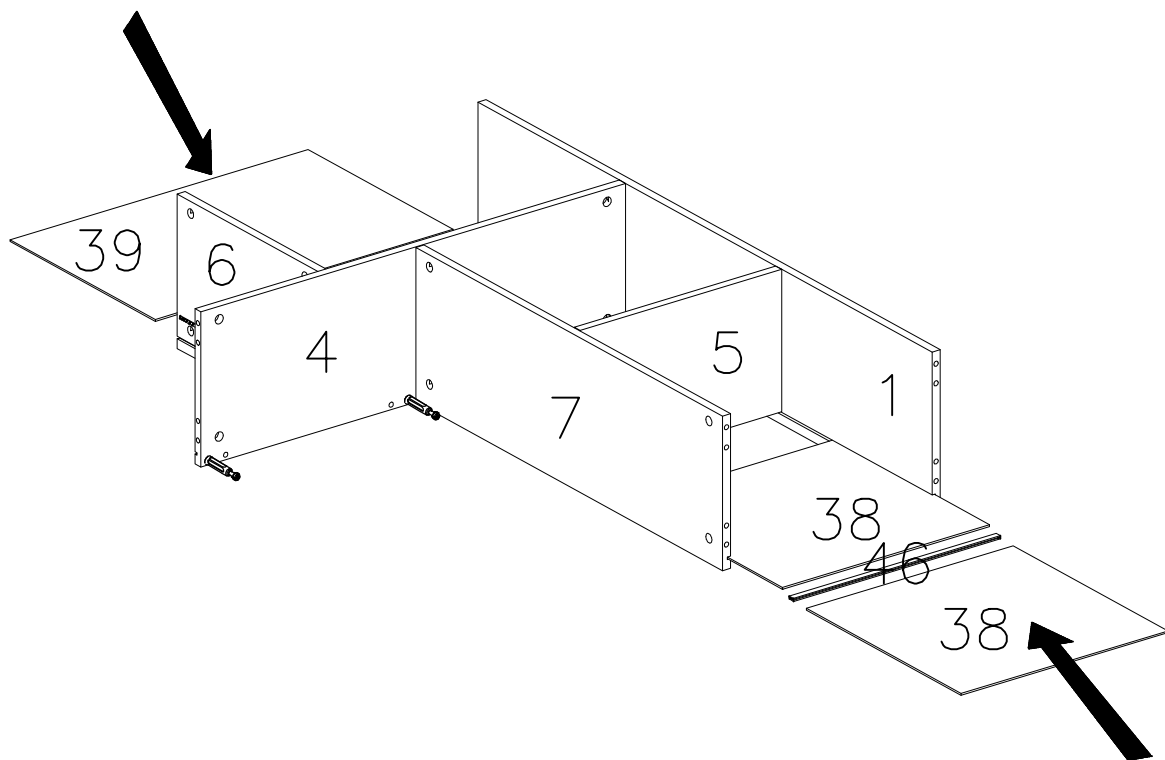
			01 × 1PC
	05 × 2PCS		04 × 2PCS

STEP 10

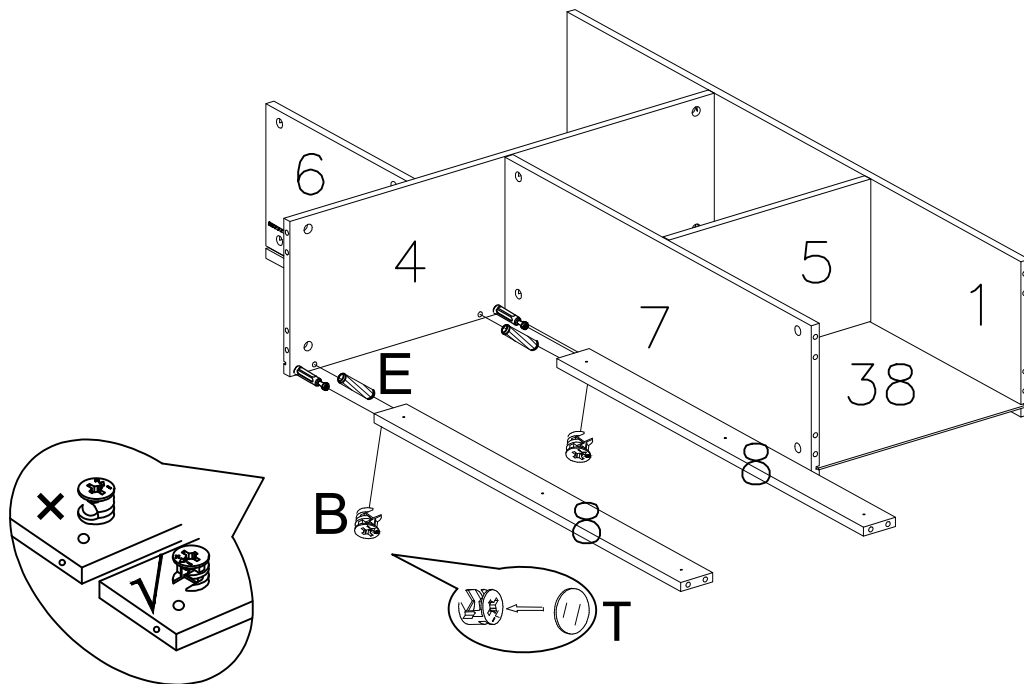


		B × 2PCS
	E × 2PCS	
		T × 2PCS

STEP 11

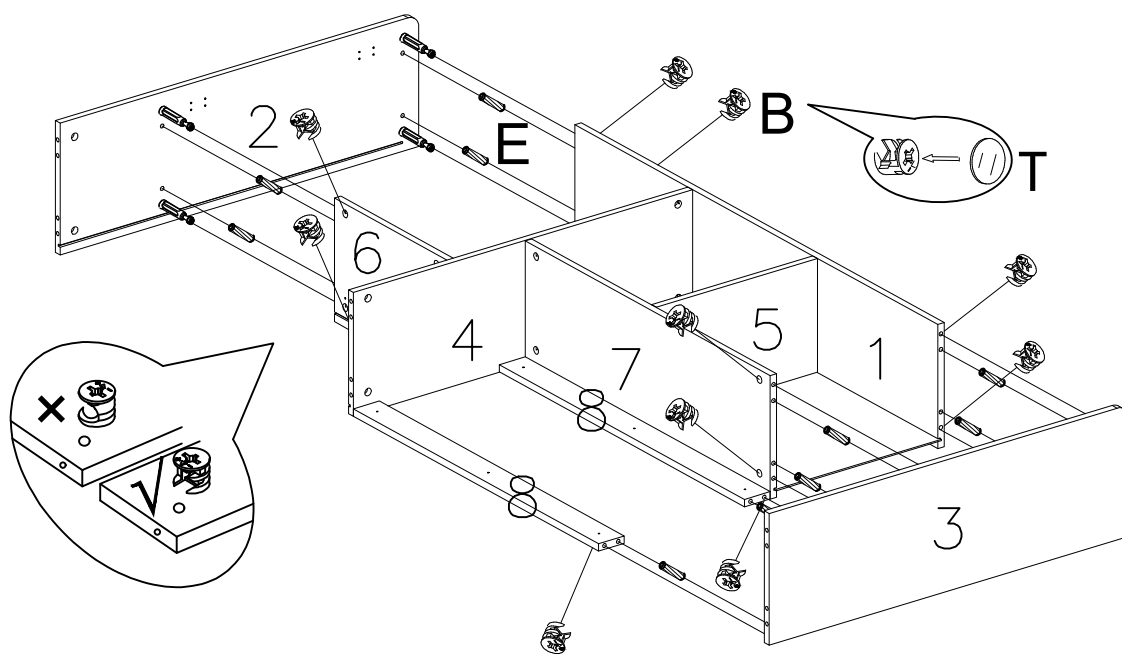


STEP 12



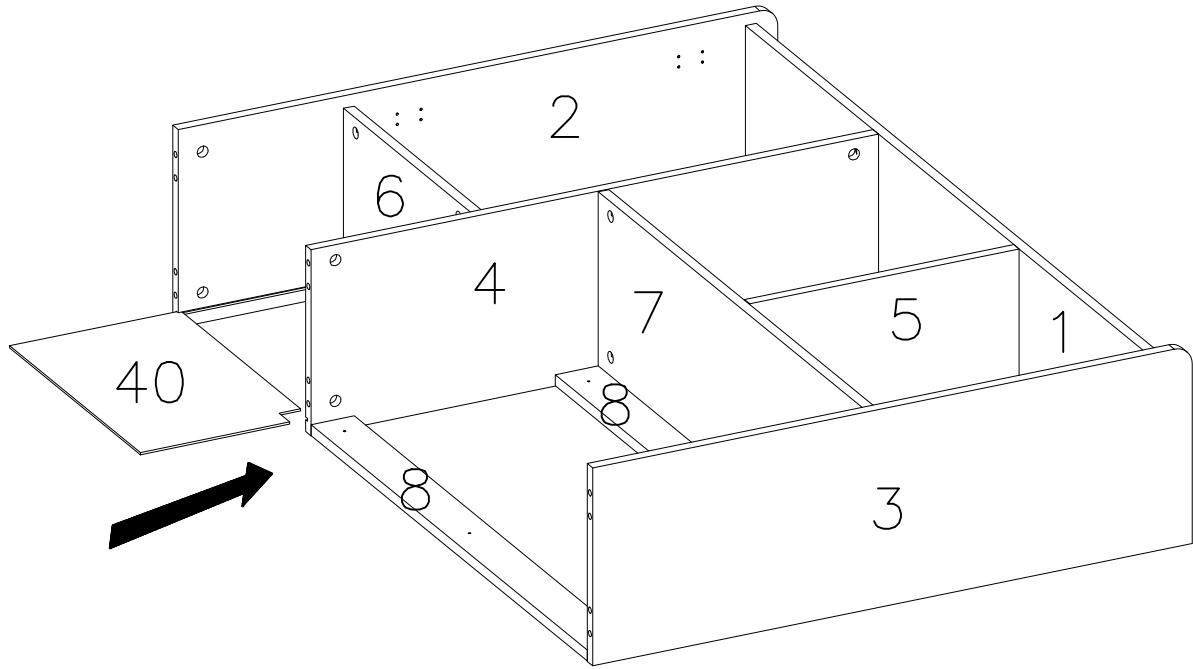
		B× 2PCS
	E× 2PCS	
		T× 2PCS

STEP 13

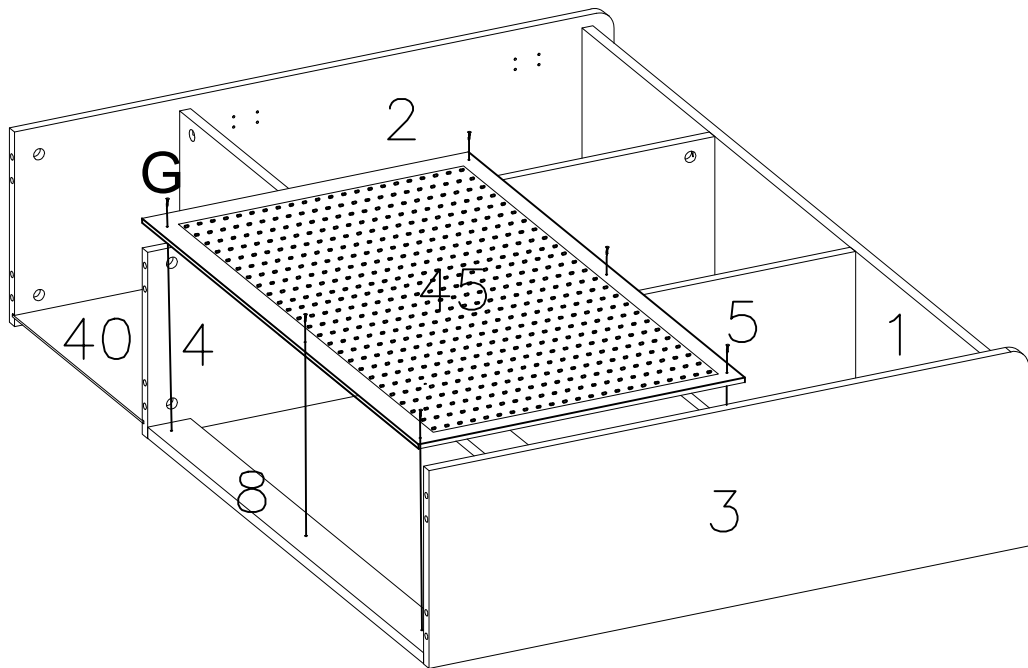


		B× 10PCS
	E× 10PCS	
		T× 10PCS

STEP 14

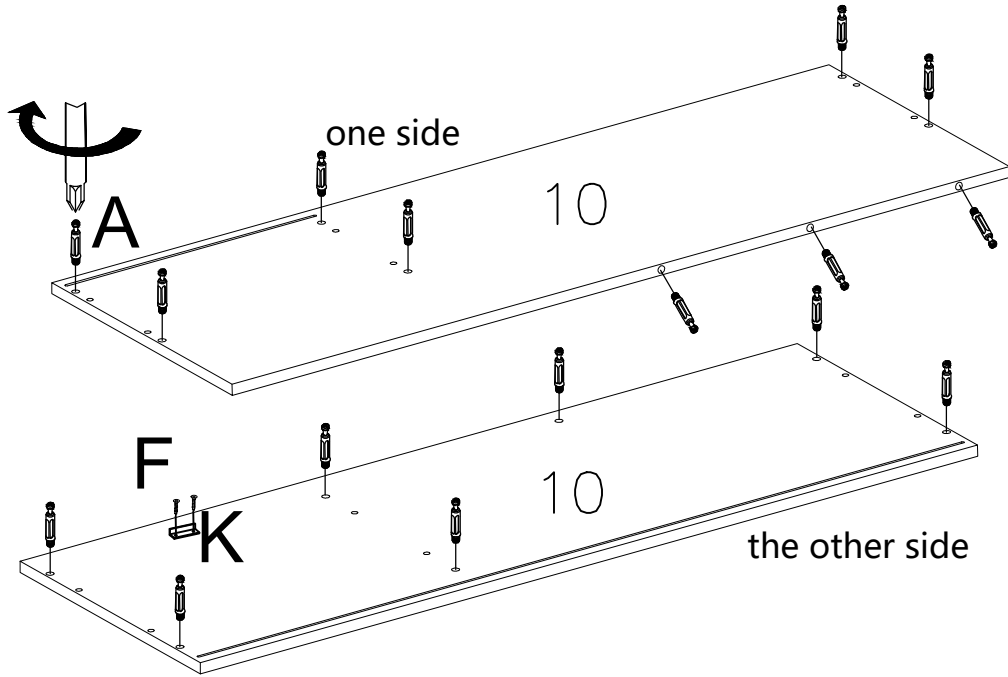





STEP 15



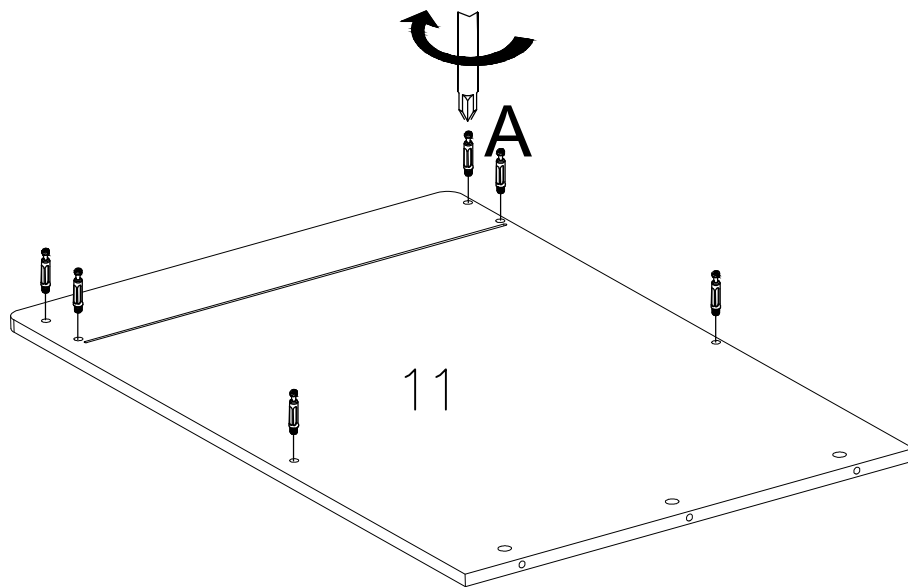
 G× 6PCS

STEP 16



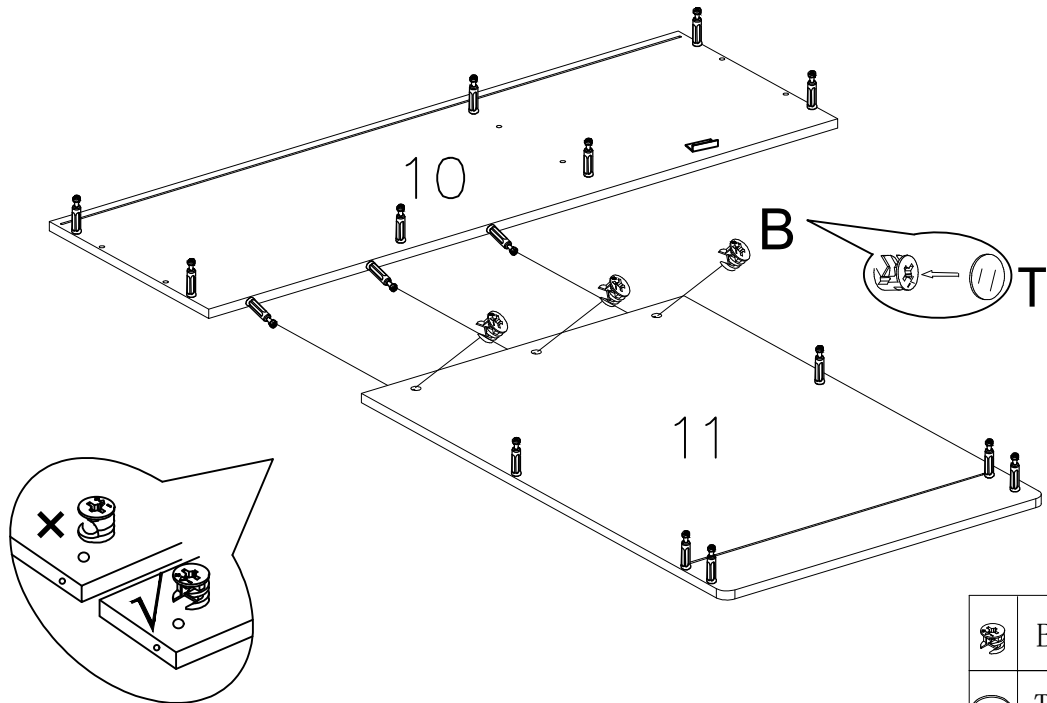
	A×16PCS
	F× 2PCS
	K× 1 PC

STEP 17

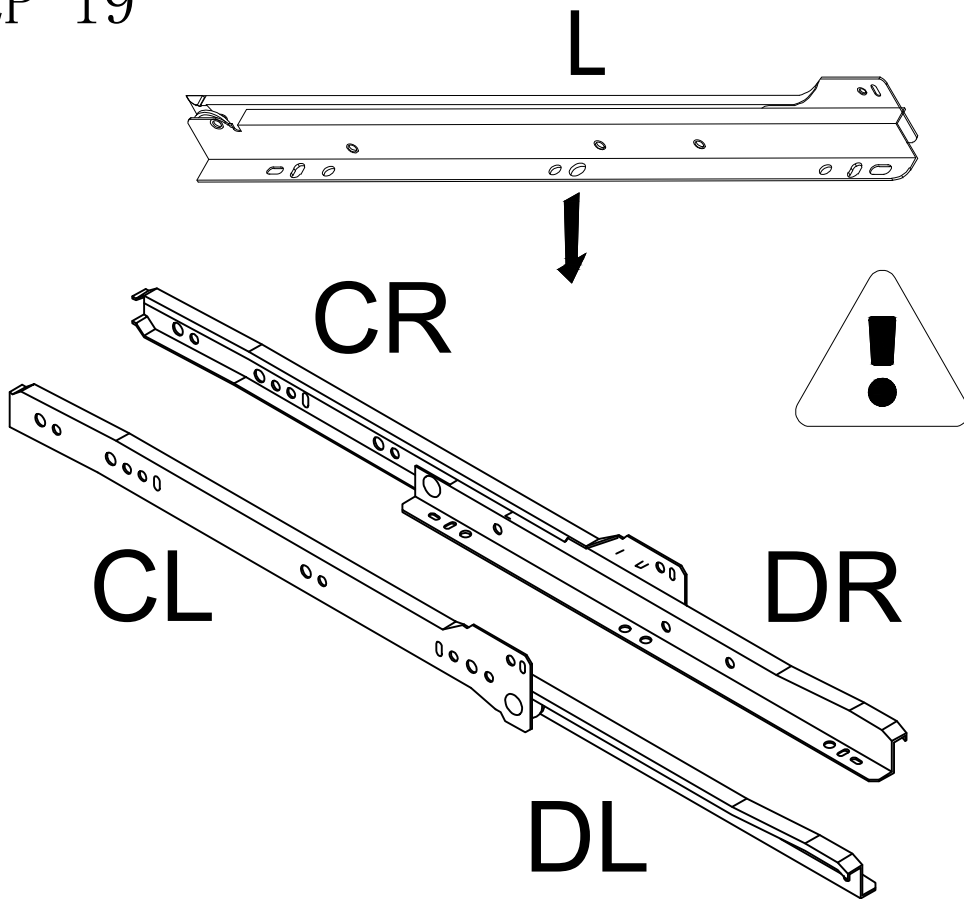


	A×6PCS
---	--------

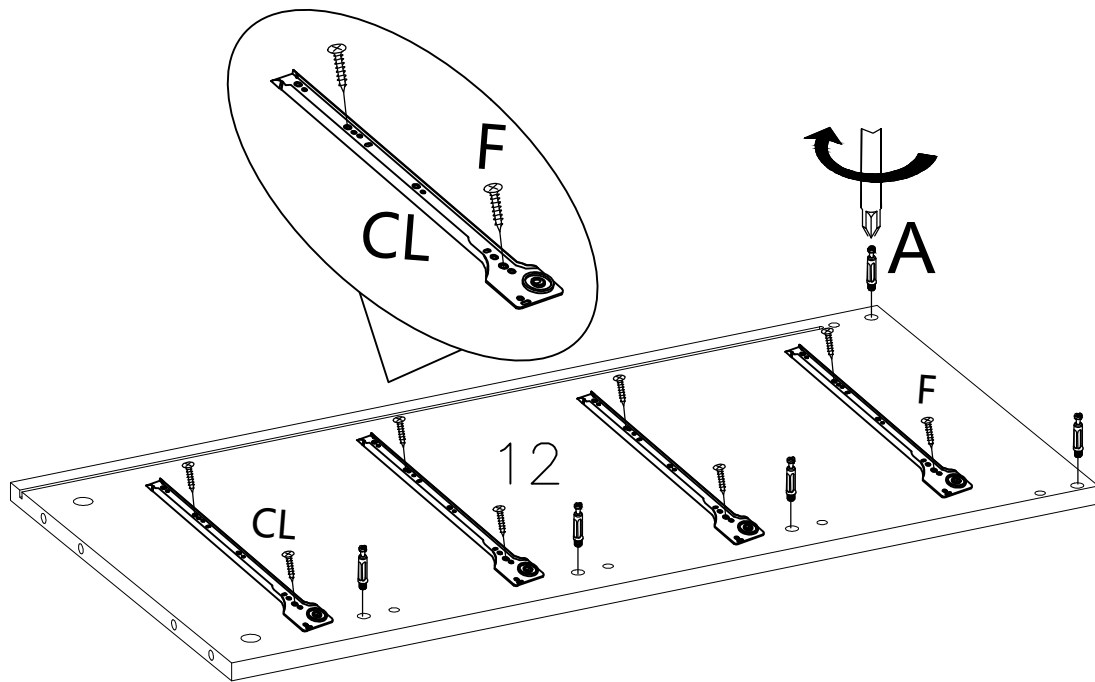
STEP 18






STEP 19

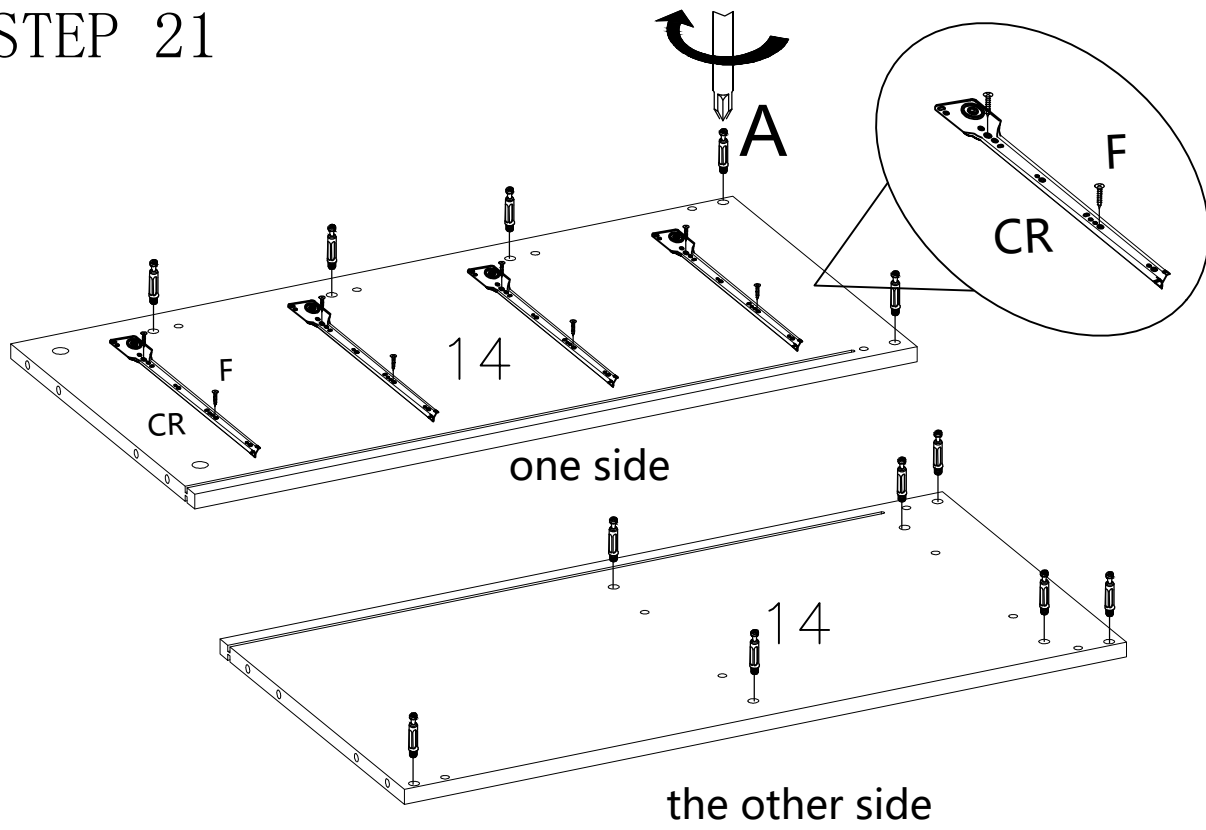





STEP 20



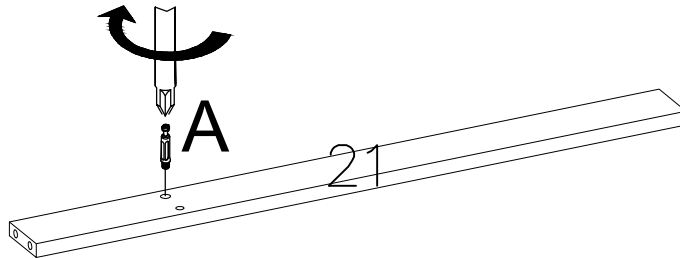
	A × 5PCS
	F × 8PCS
	CL × 4PCS


STEP 21



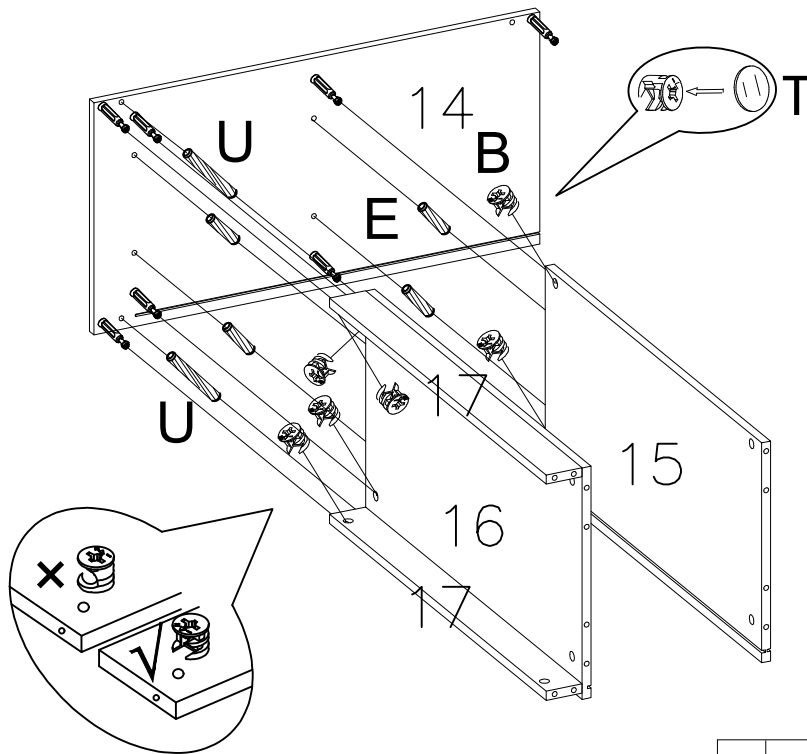
	A × 12PCS
	F × 8PCS
	CR × 4PCS

STEP 22







 A × 1PC

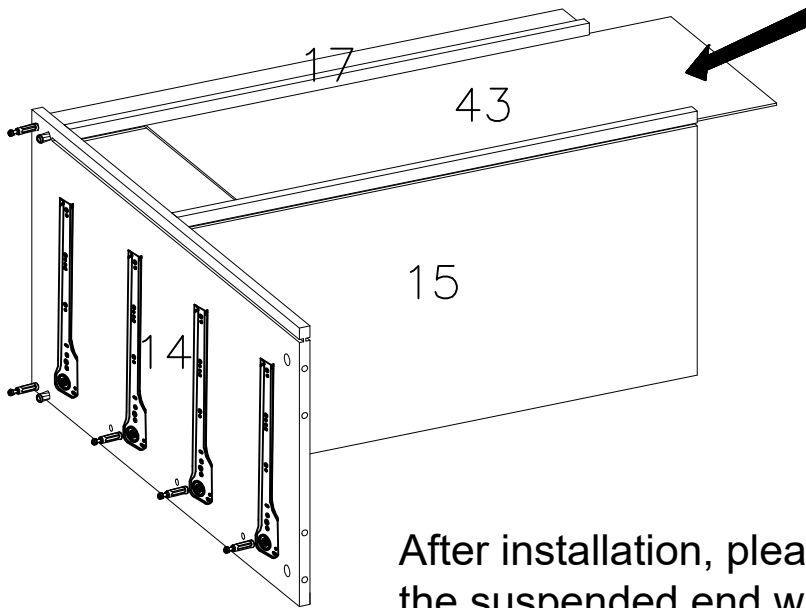
STEP 23



After installation, please hold the suspended end with your hands

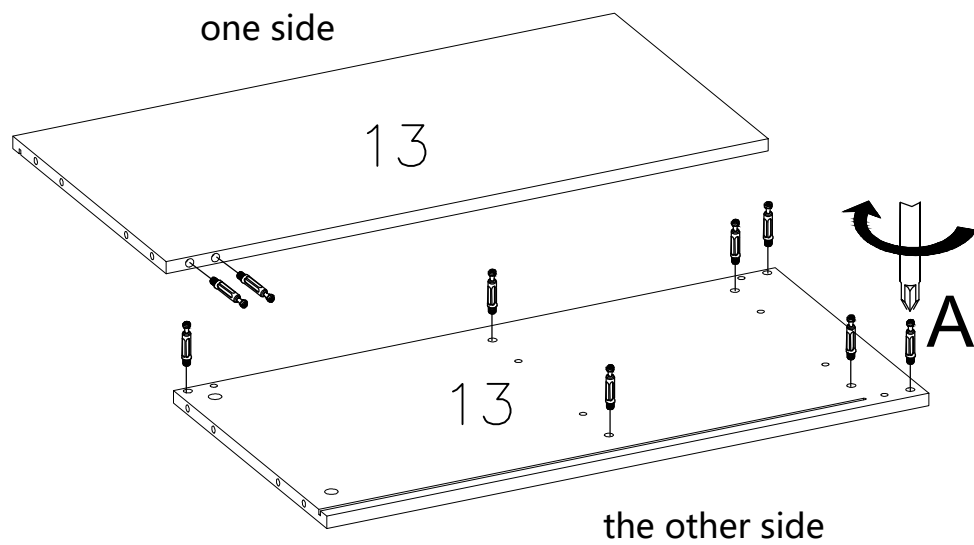
	B × 6PCS		E × 4PCS
	U × 2PCS		T × 6PCS


STEP 24



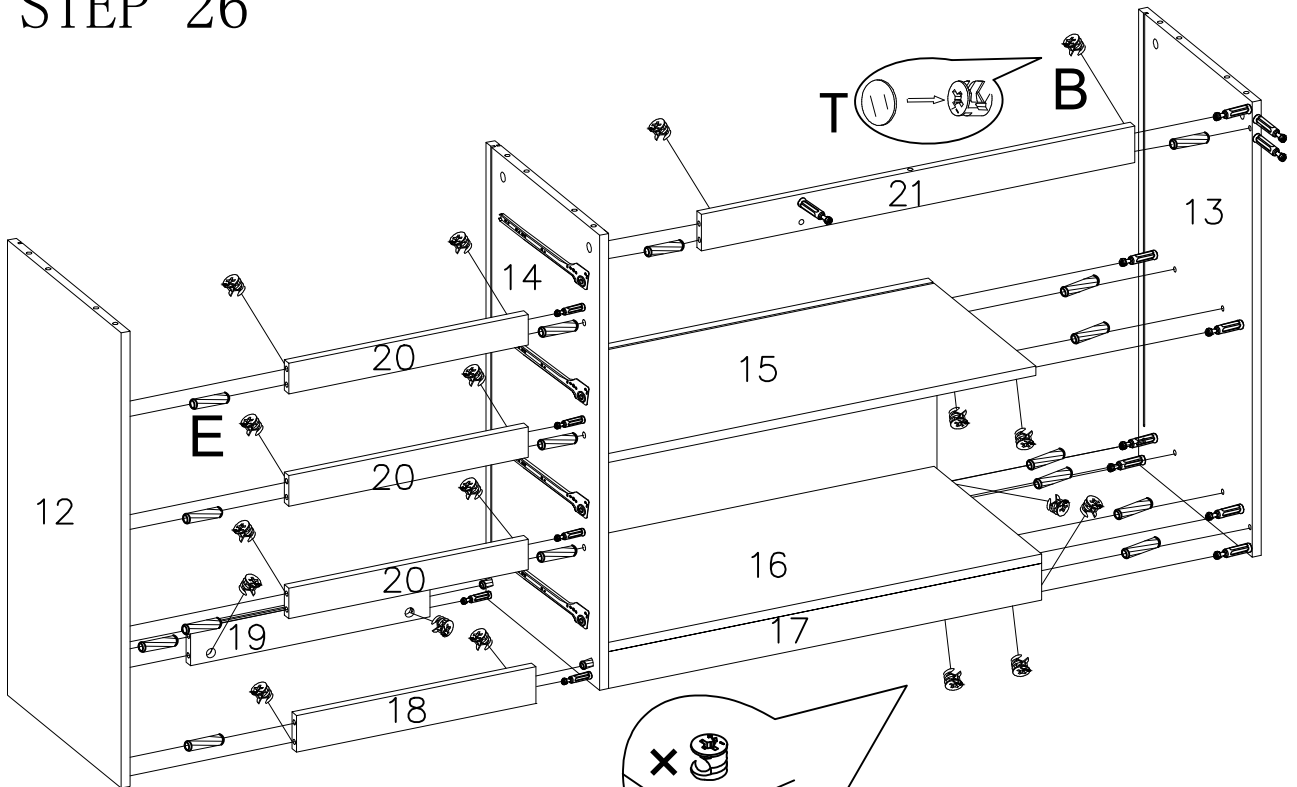
After installation, please hold the suspended end with your hands

STEP 25



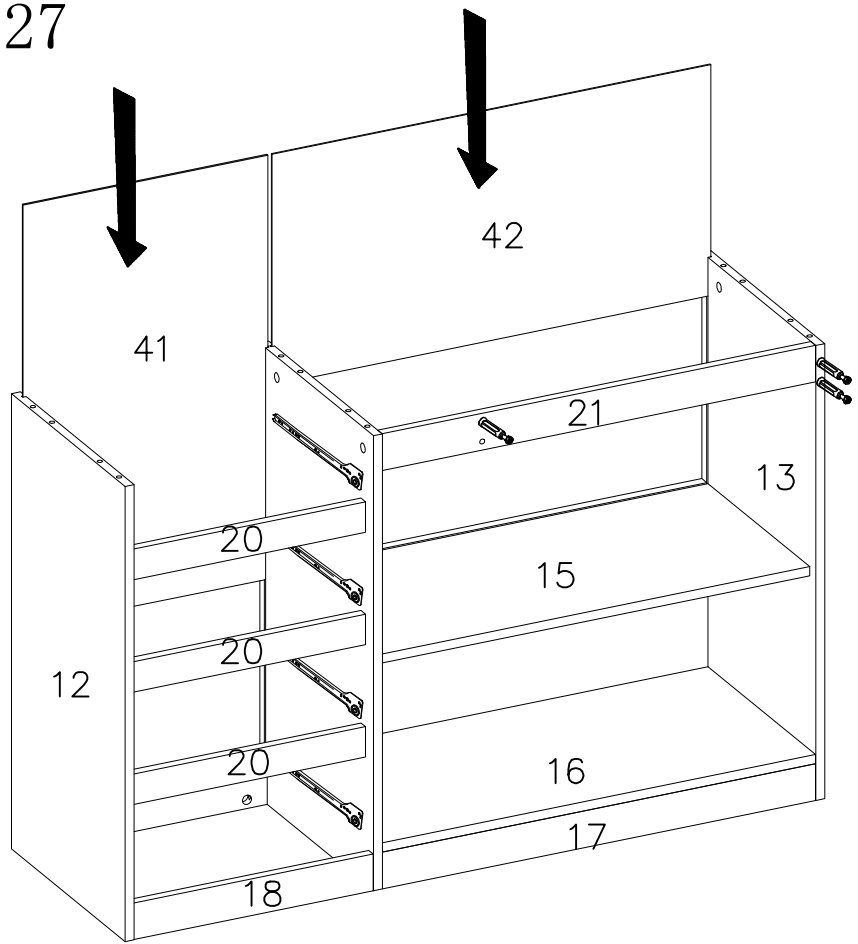
	A × 9PCS
---	----------

STEP 26

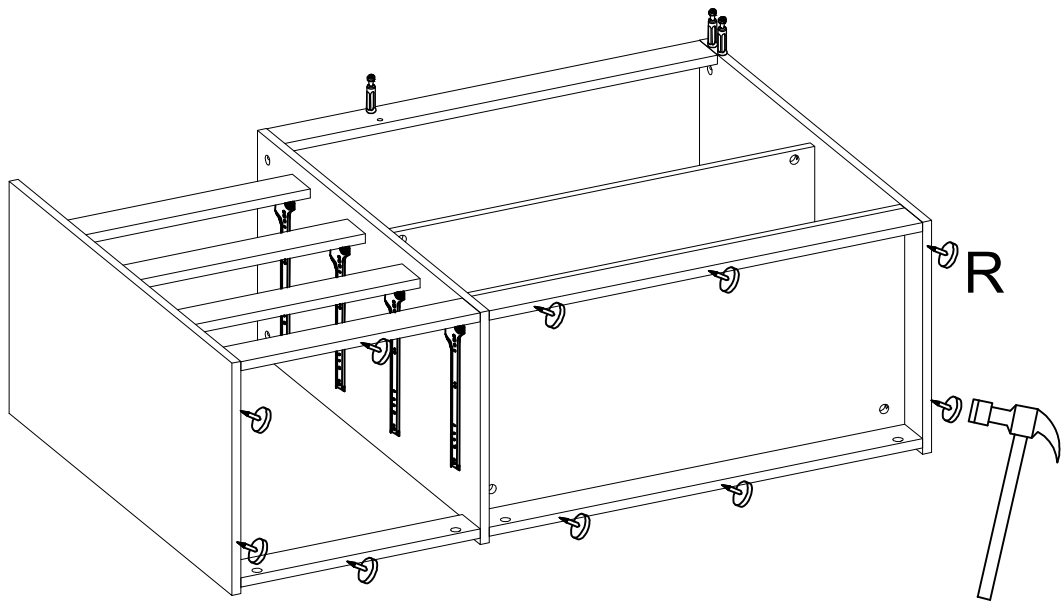


	B×18PCS
	E×16PCS
	T×18PCS

STEP 27

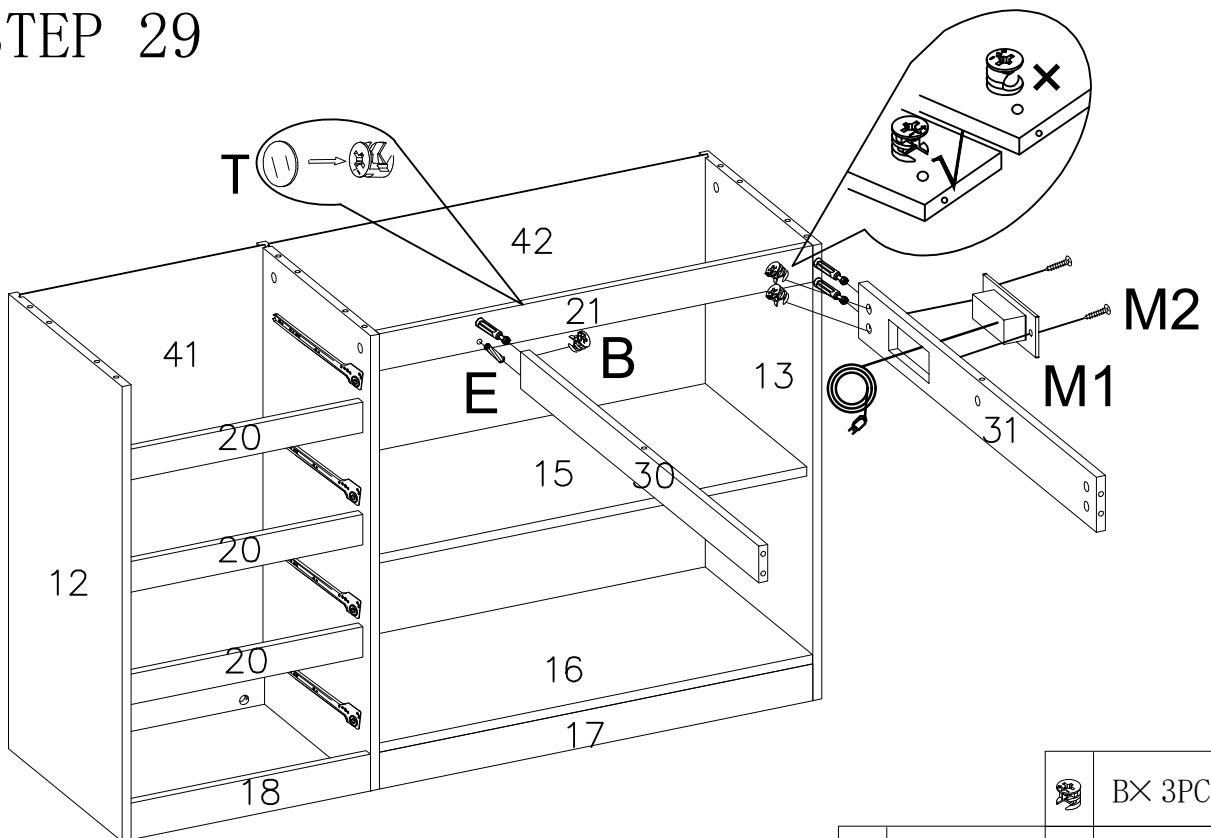


STEP 28








 R × 10PCS

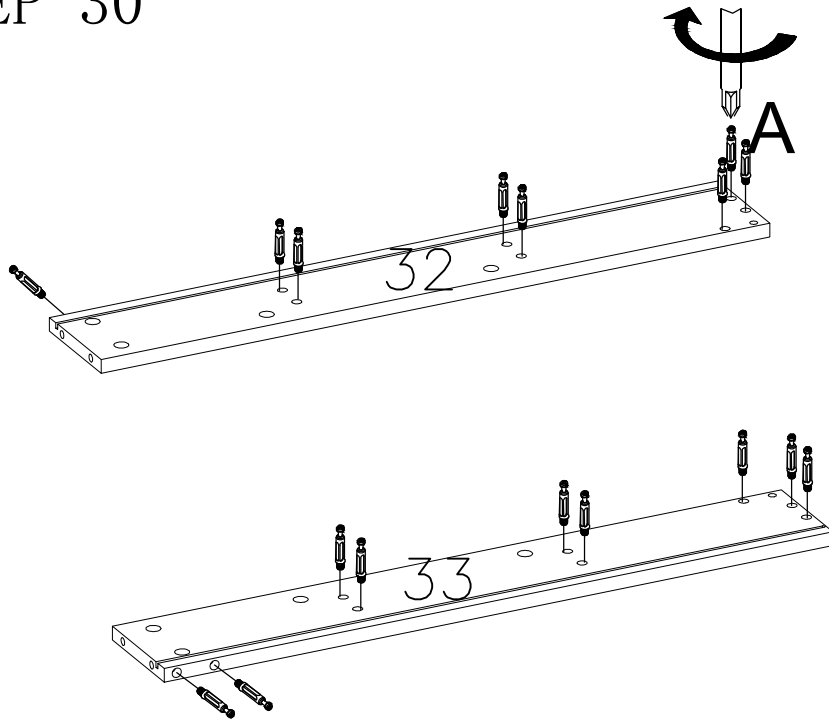
STEP 29




After installation, please hold the suspended end with your hands

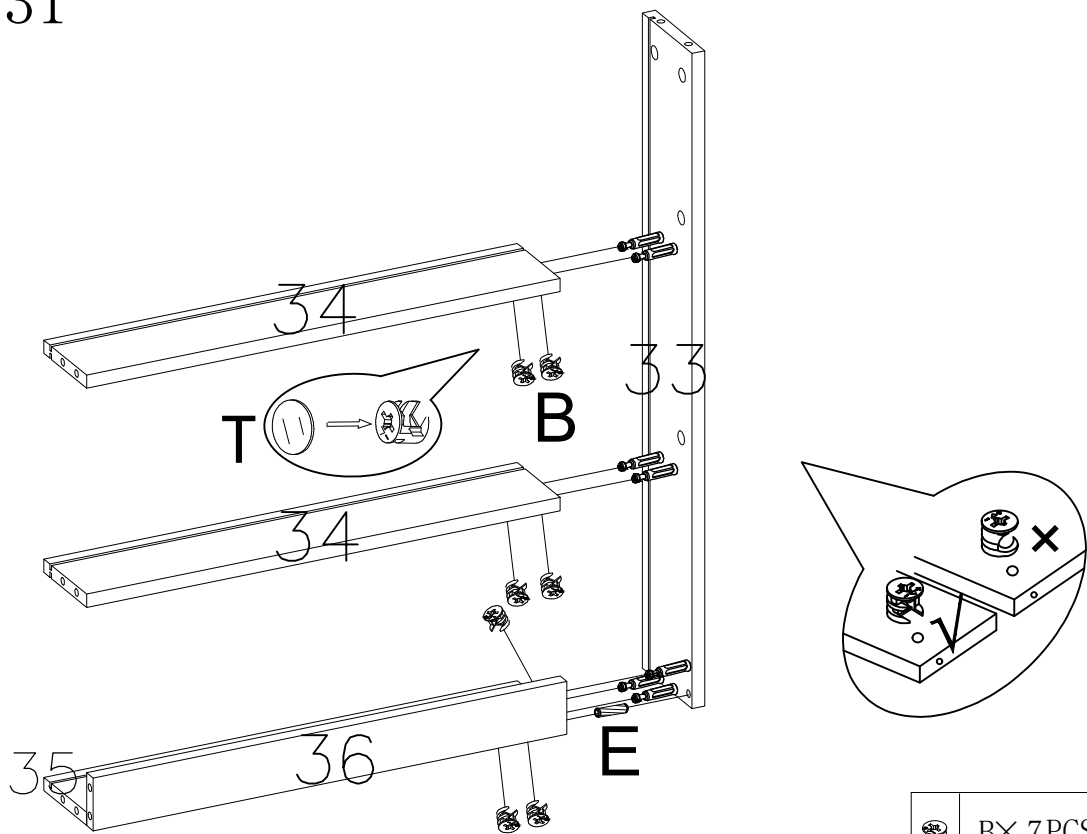
	E × 1PC		M1 × 1PC
	M2 × 2PCS		T × 3PCS
			B × 3PCS




STEP 30



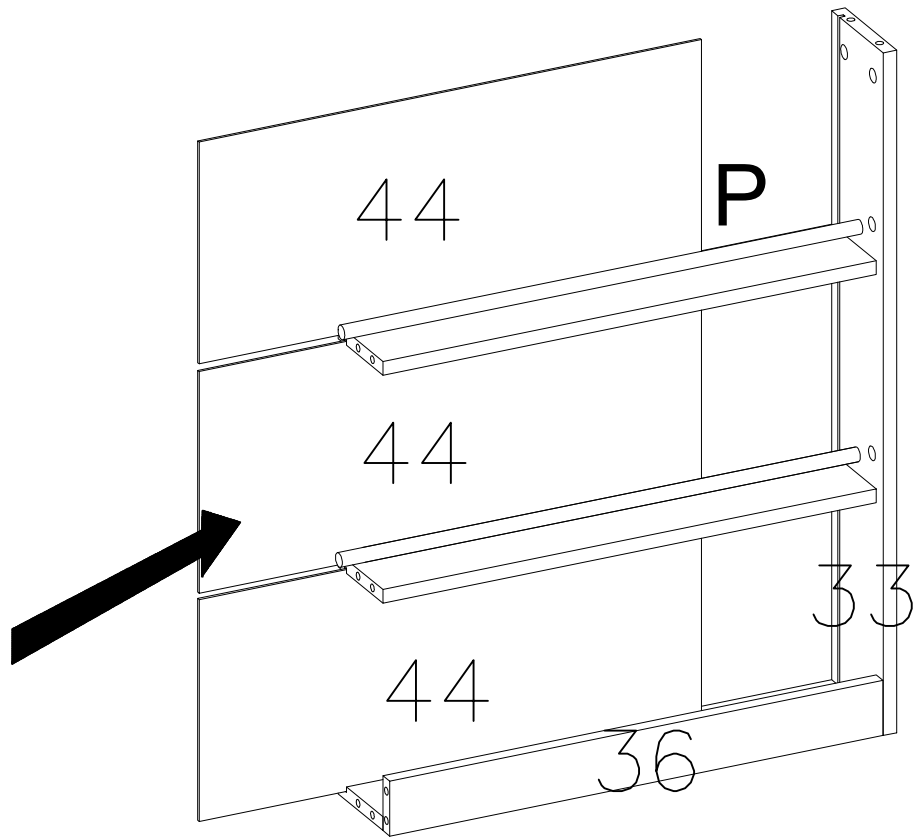
	A × 17PCS
---	-----------

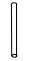
STEP 31



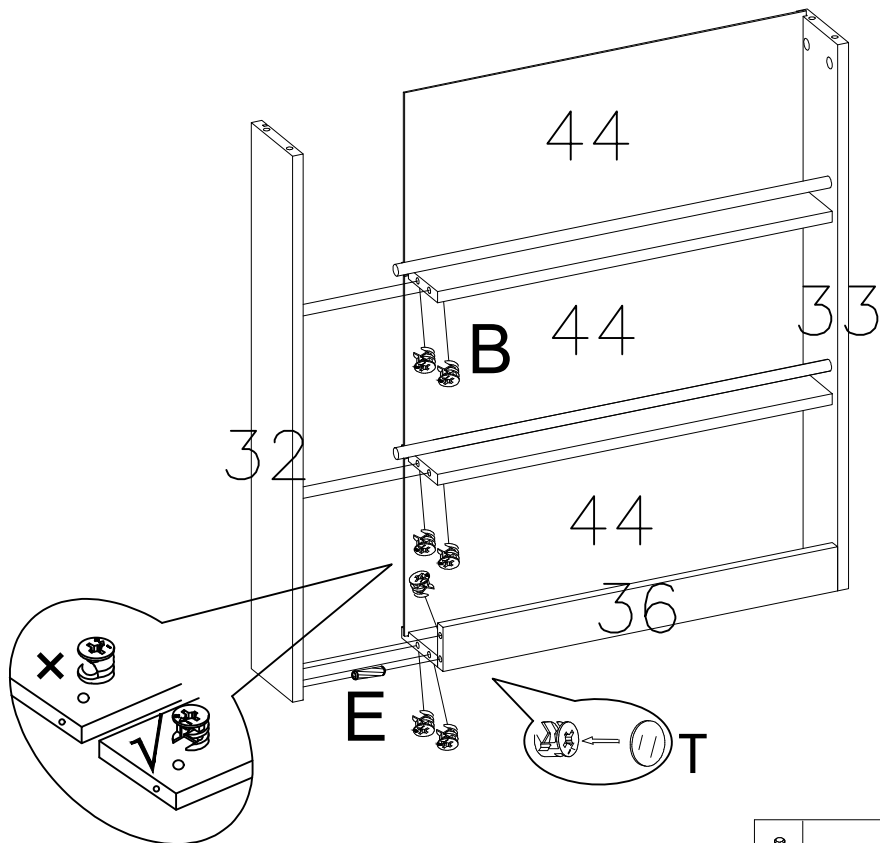
	E × 1PC		B × 7PCS
	T × 7PCS		




STEP 32



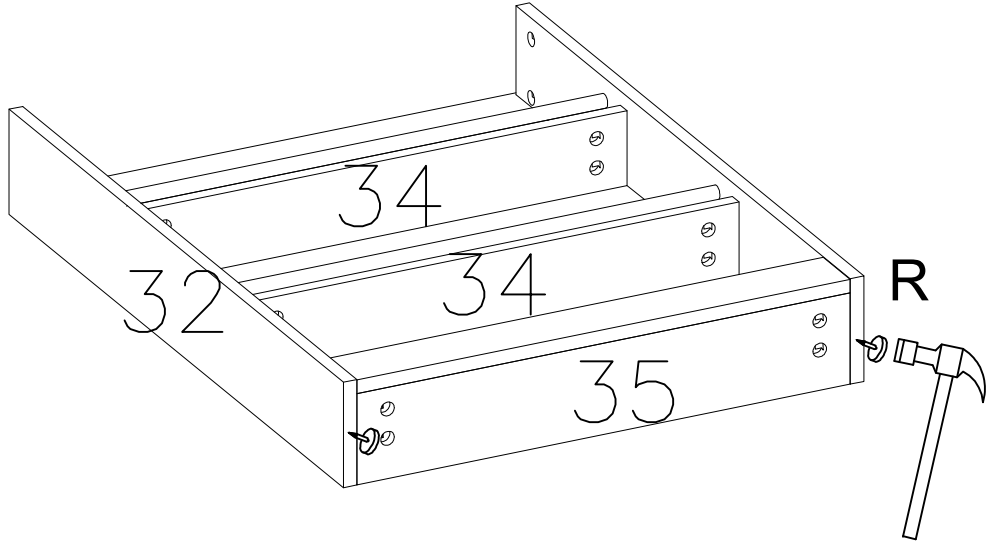
	P × 2PCS
---	----------


STEP 33



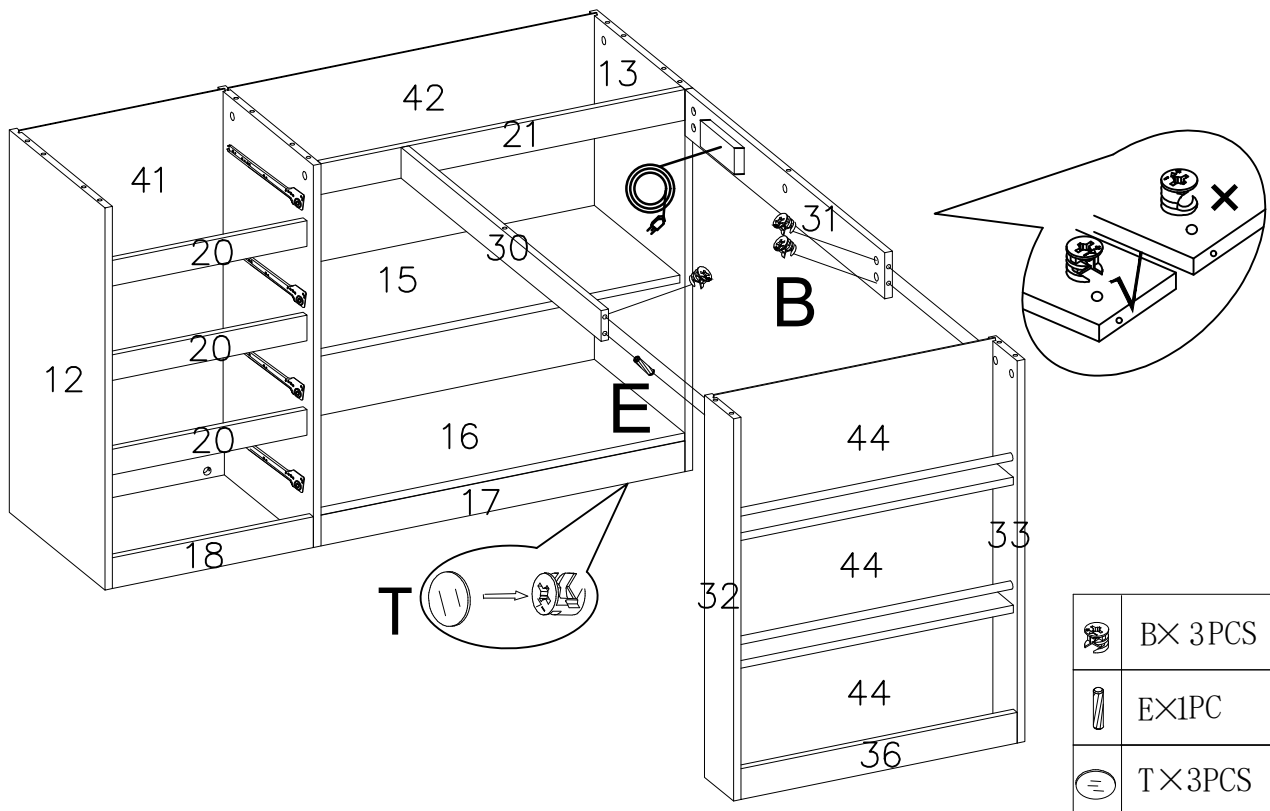
	B × 7PCS
	E × 1PC
	T × 7PCS


STEP 34



 R × 2PCS

STEP 35

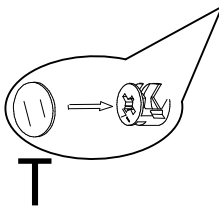
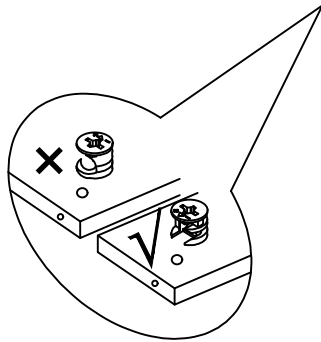
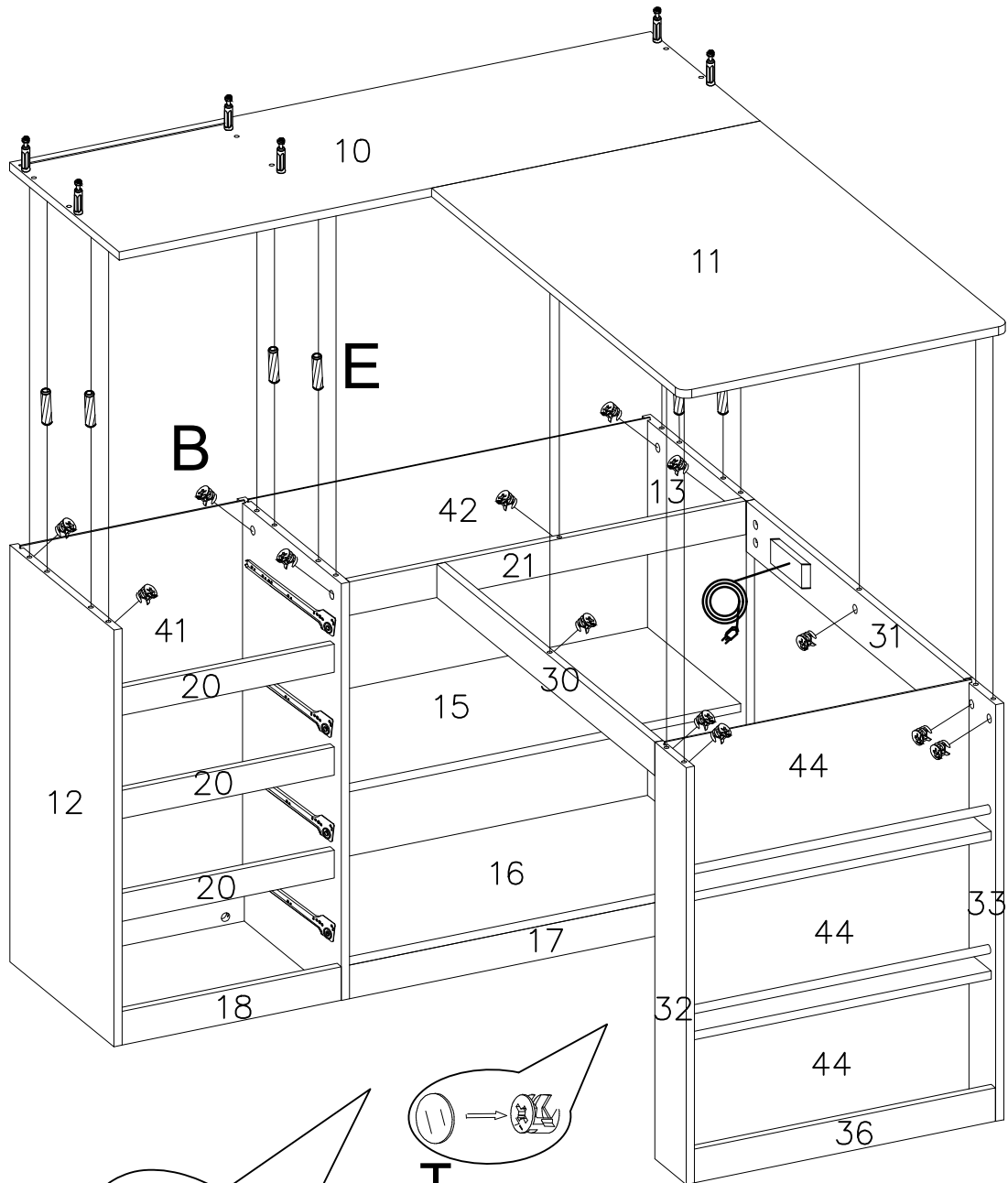





 B × 3PCS

 E × 1PC

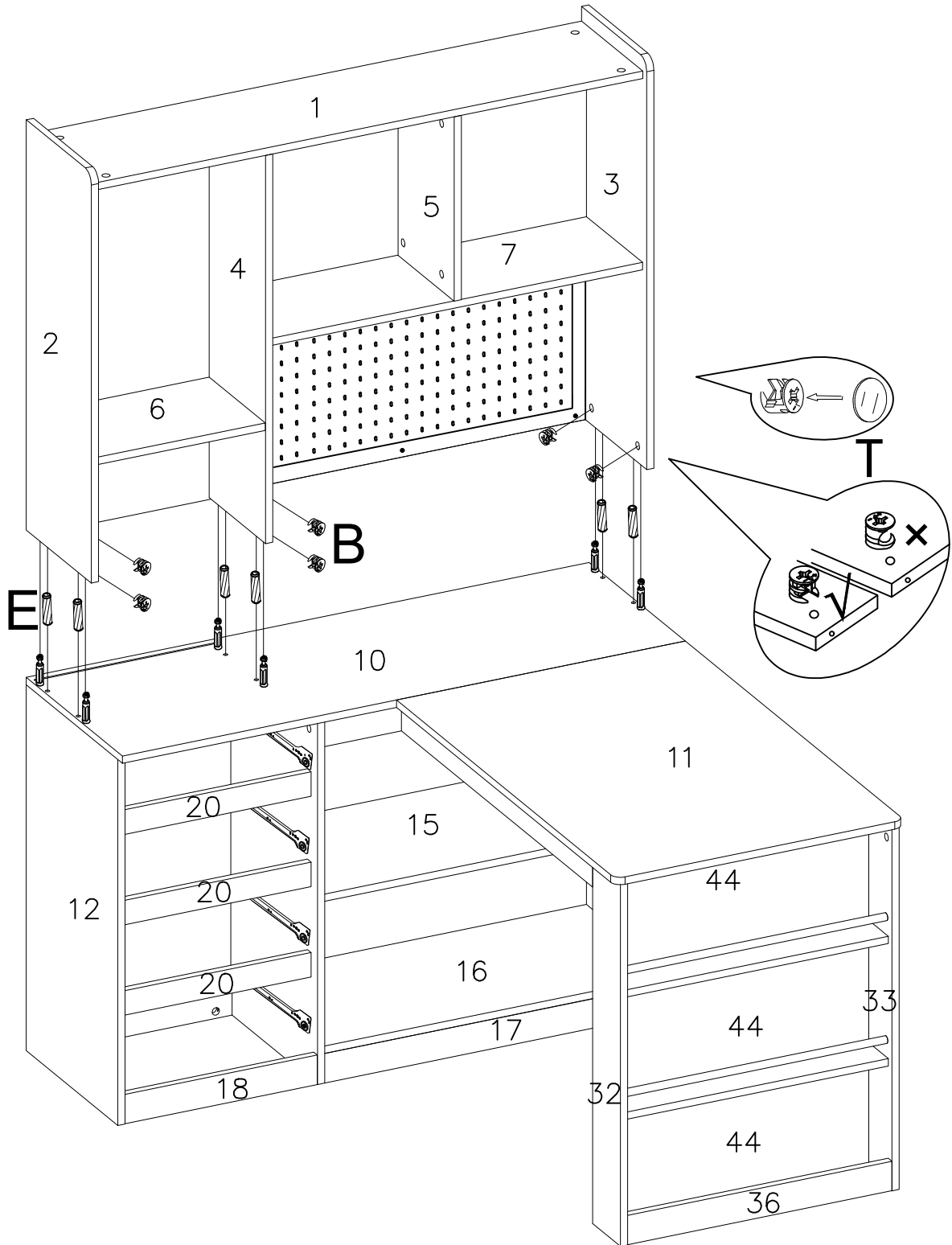
 T × 3PCS





STEP 36



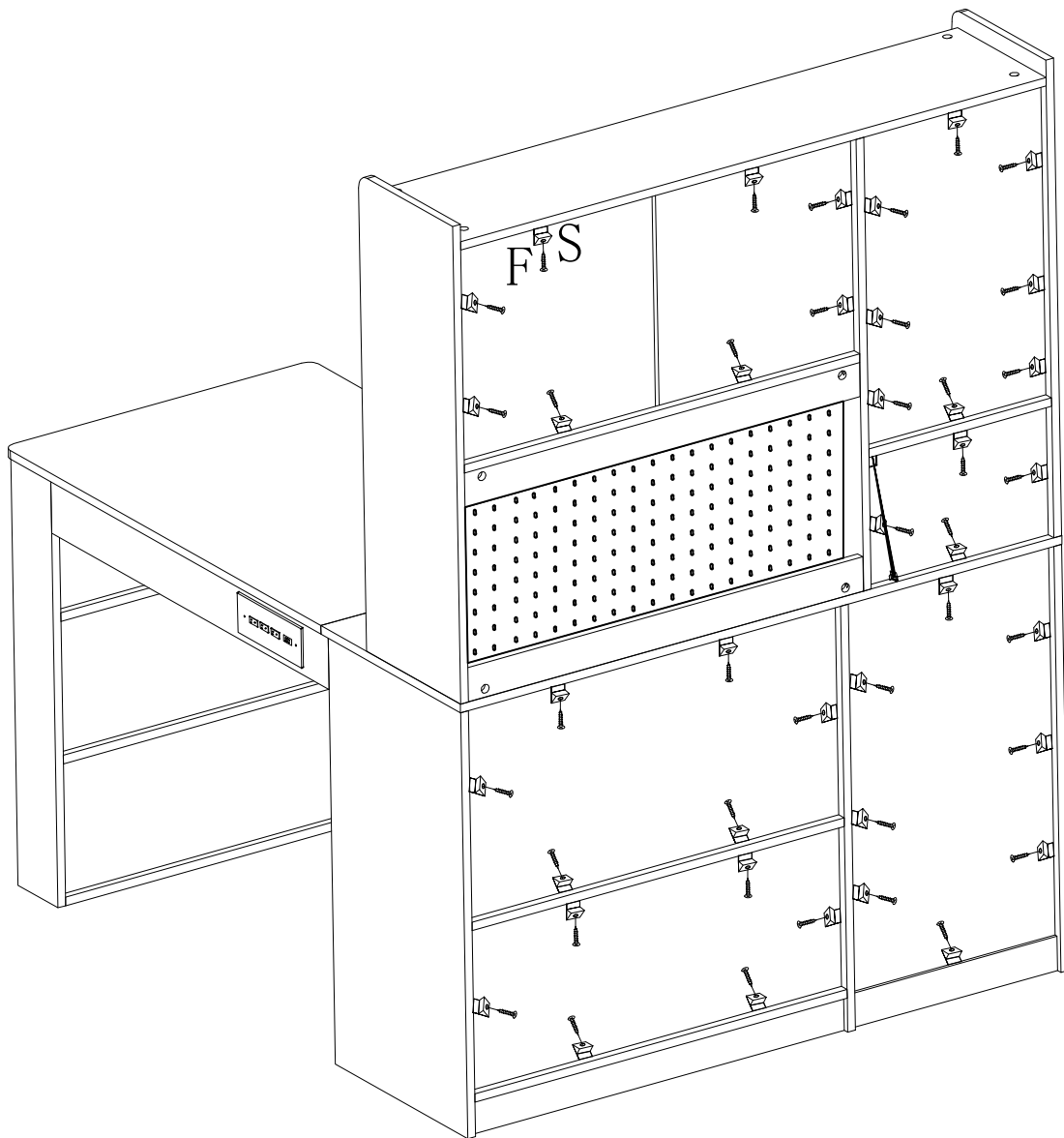
		 B×13PCS
	E×6PCS	 T×13PCS



STEP 37



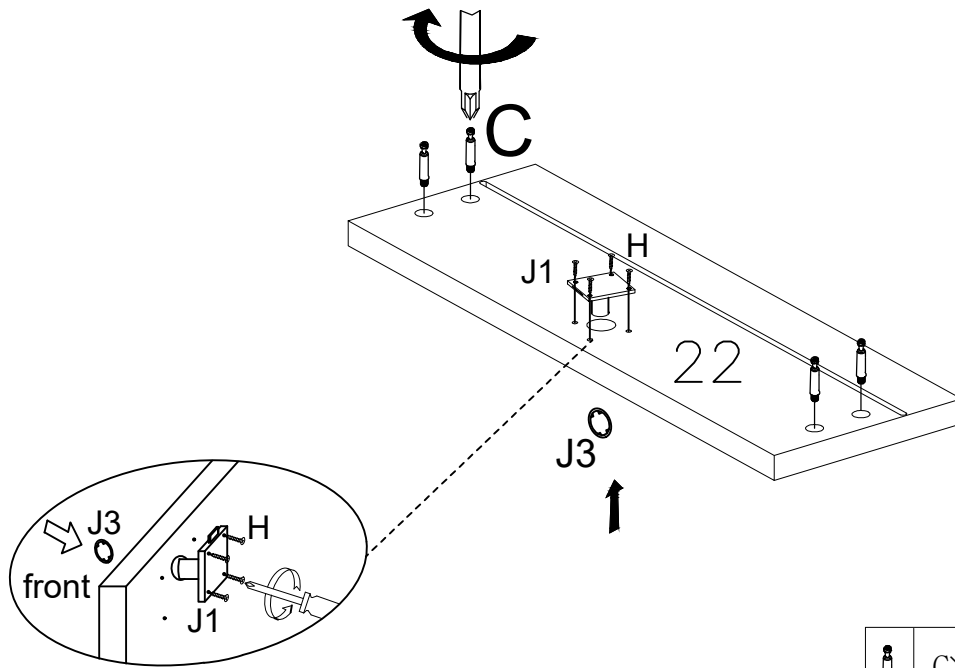
	E×6PCS		B× 6PCS
	E×6PCS		T×6PCS





STEP 38



	F × 40PCS
	S × 40PCS

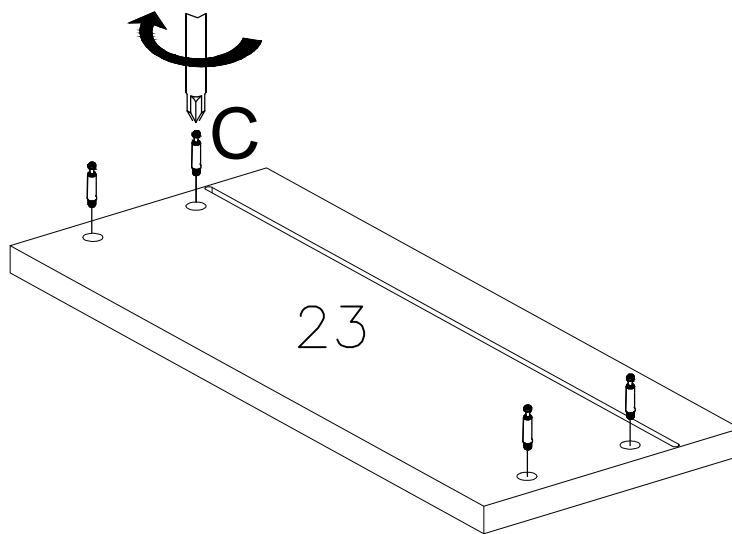
STEP 39




	C× 4PCS		H×4PCS
	J1×1 PC		J3×1 PC

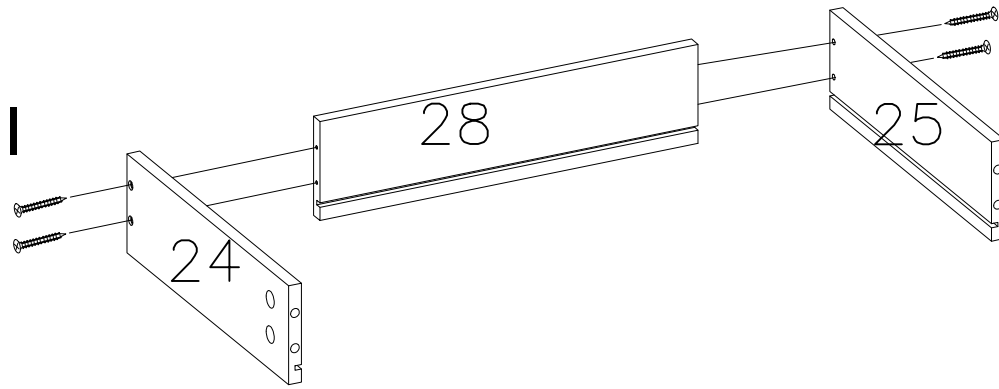
STEP 40

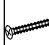
×3



	C× 12PCS
---	----------

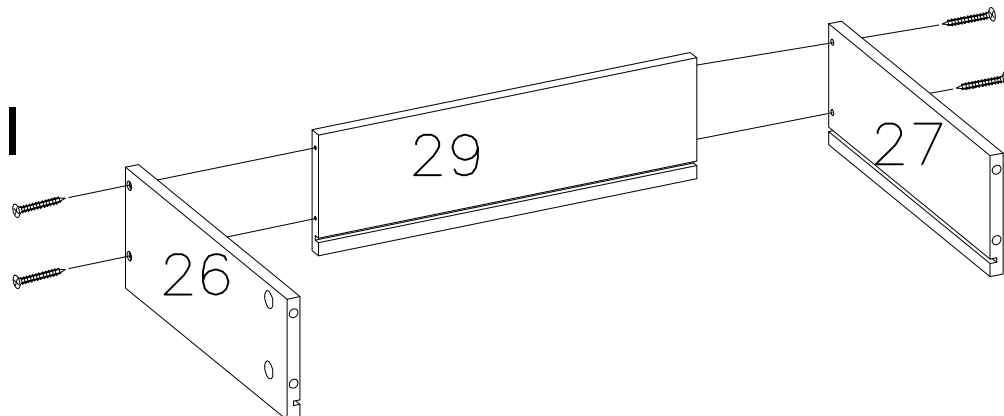
STEP 41

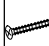


 I × 4PCS

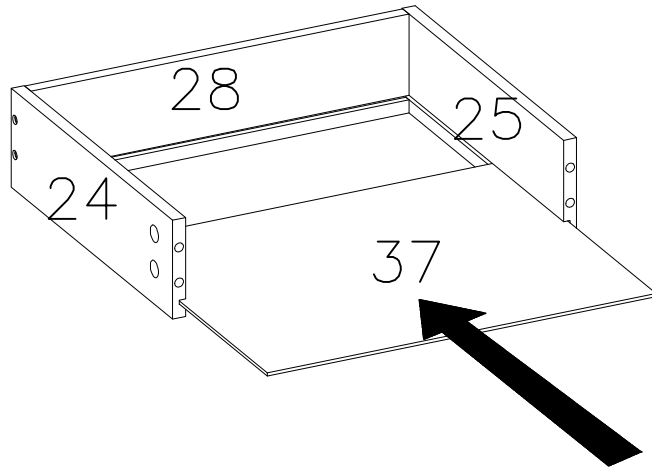
STEP 42

×3



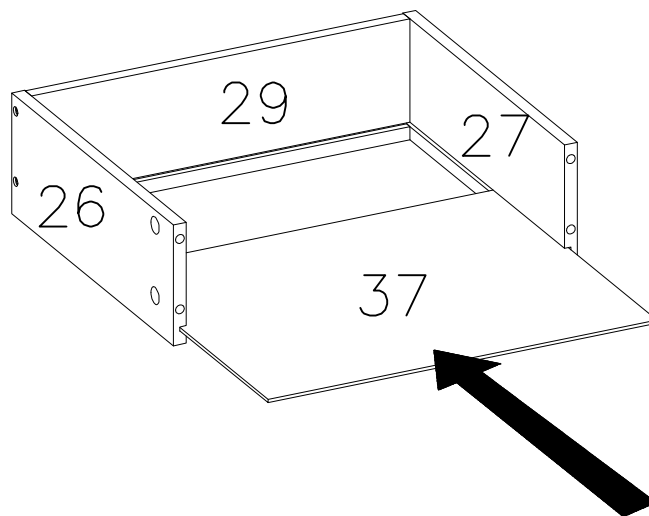
 I × 12PCS

STEP 43

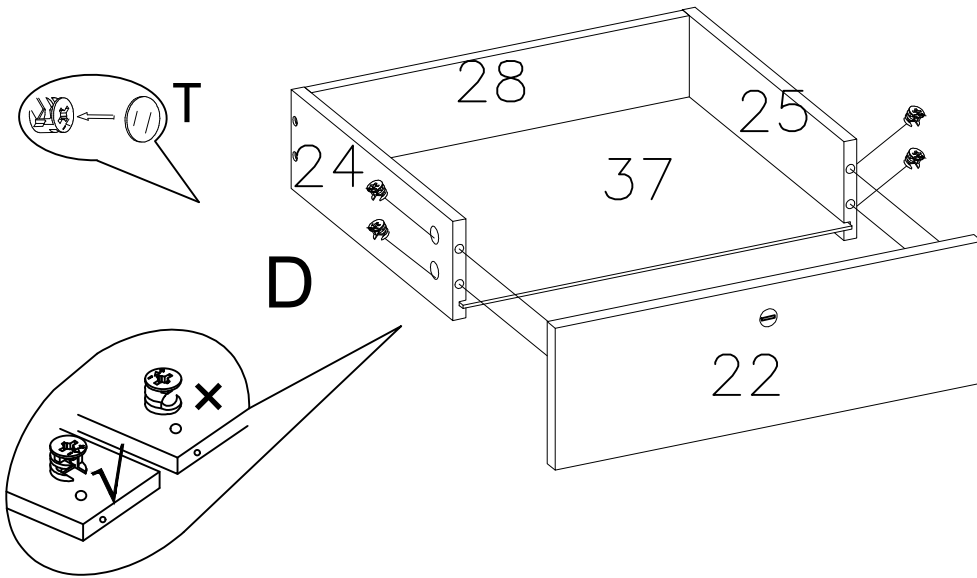




STEP 44

x3



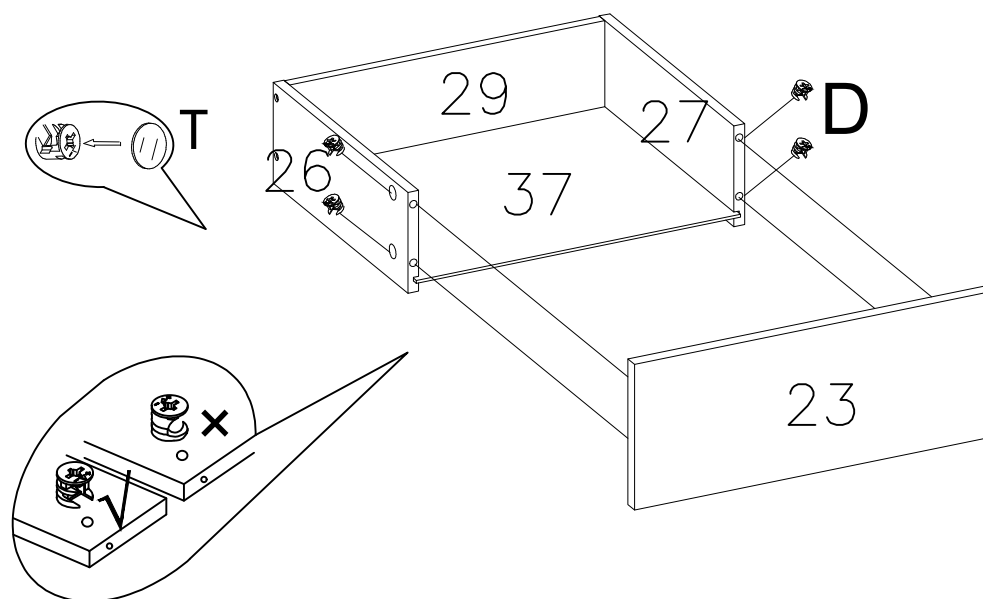
STEP 45





	D× 4PCS
	T× 4PCS

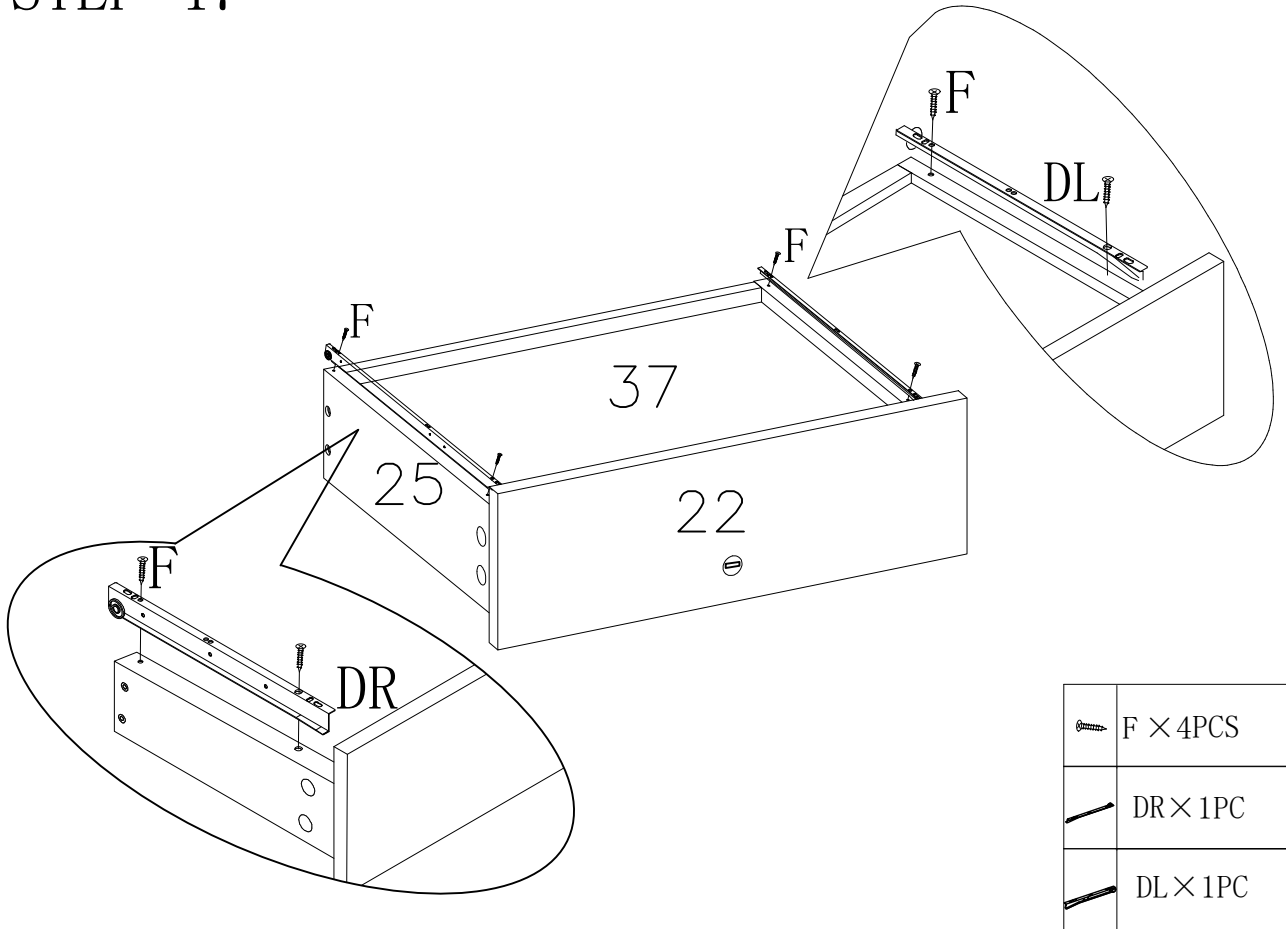
STEP 46

×3

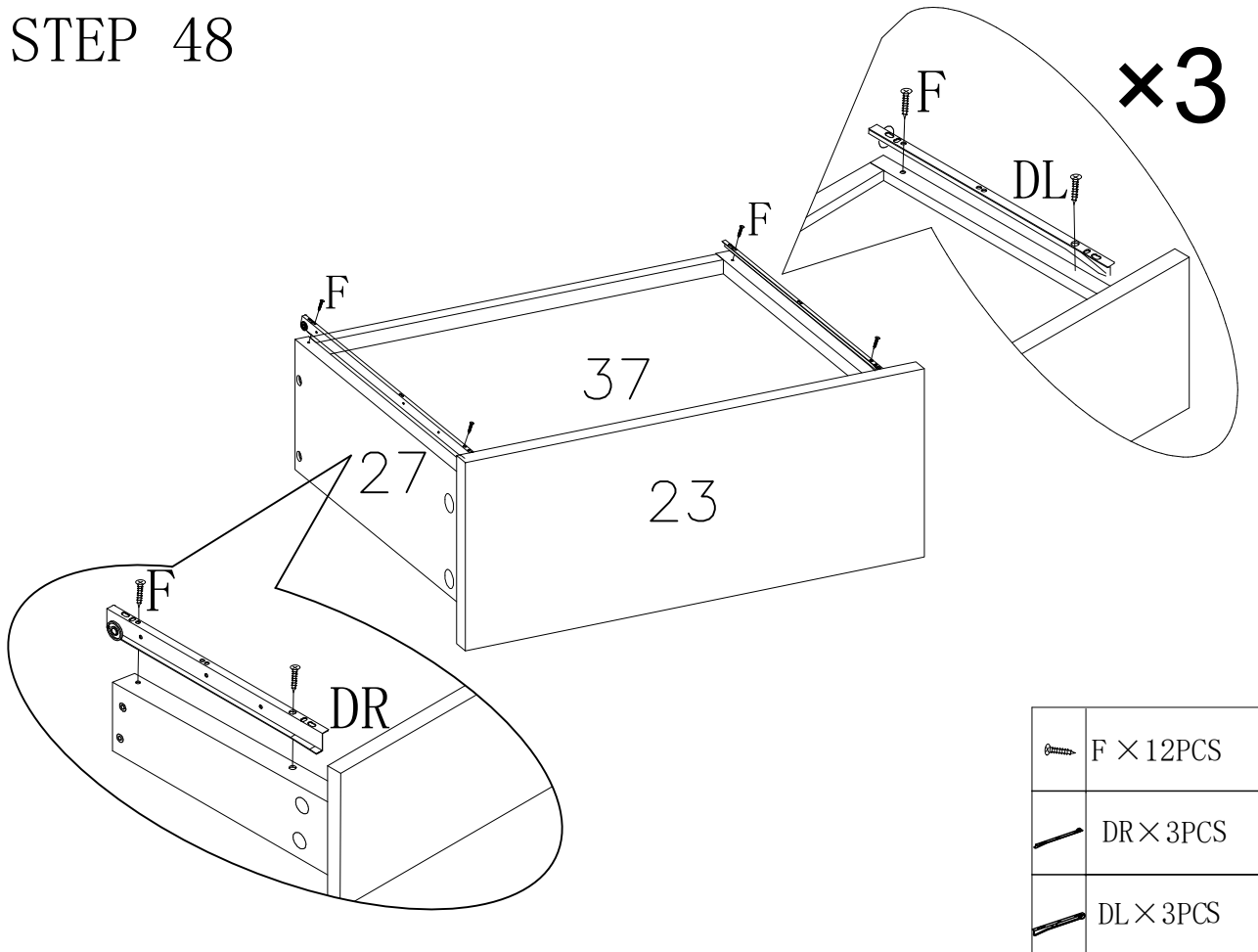


	D× 12PCS
	T× 12PCS

STEP 47

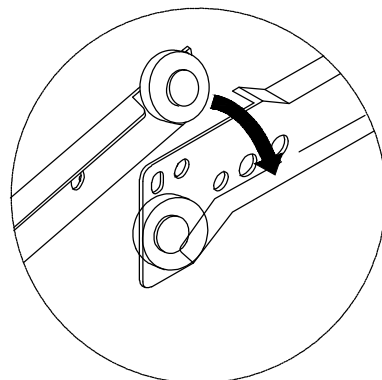
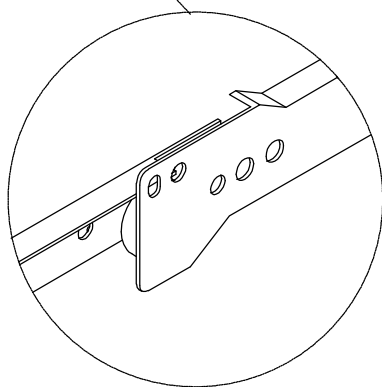
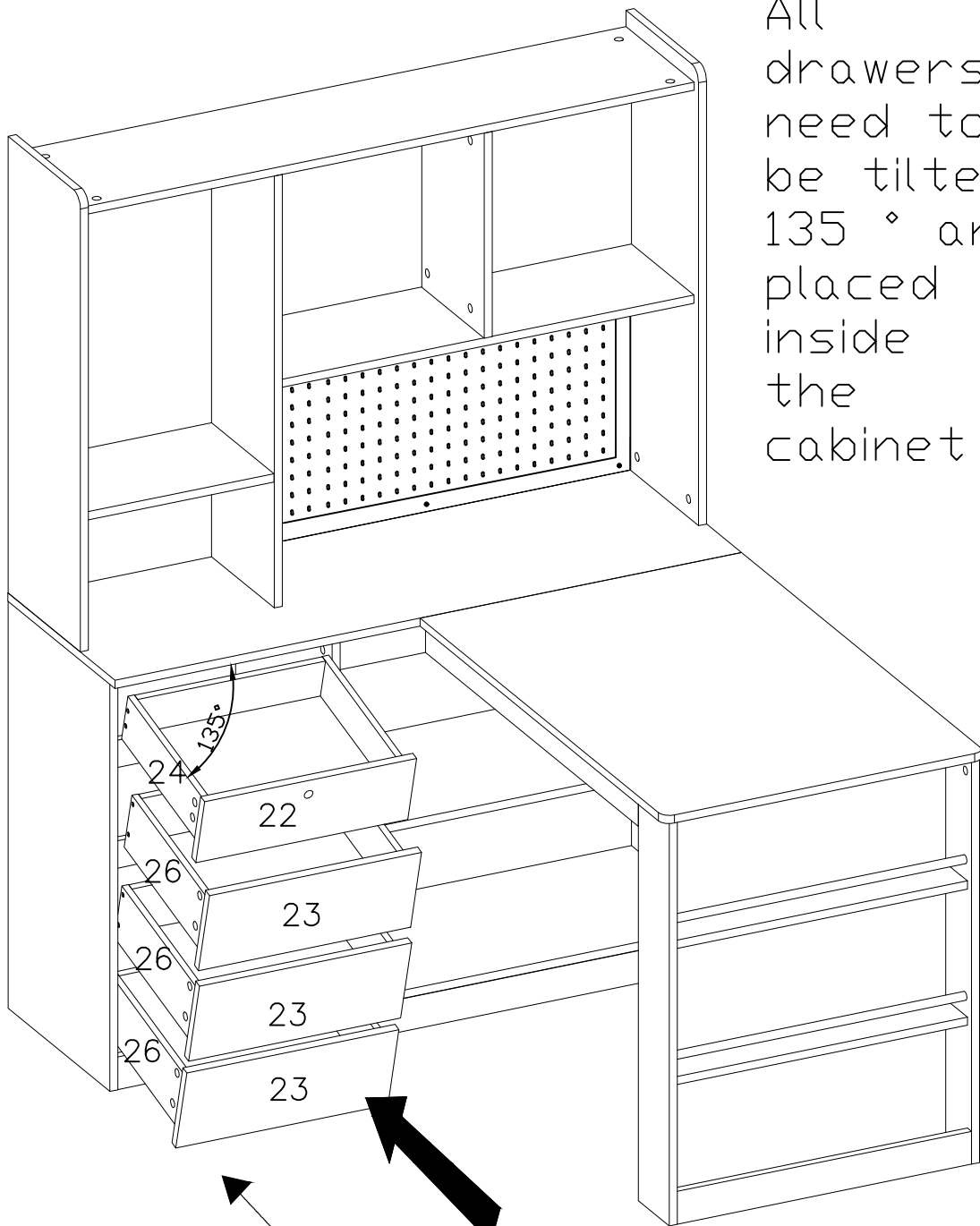


STEP 48

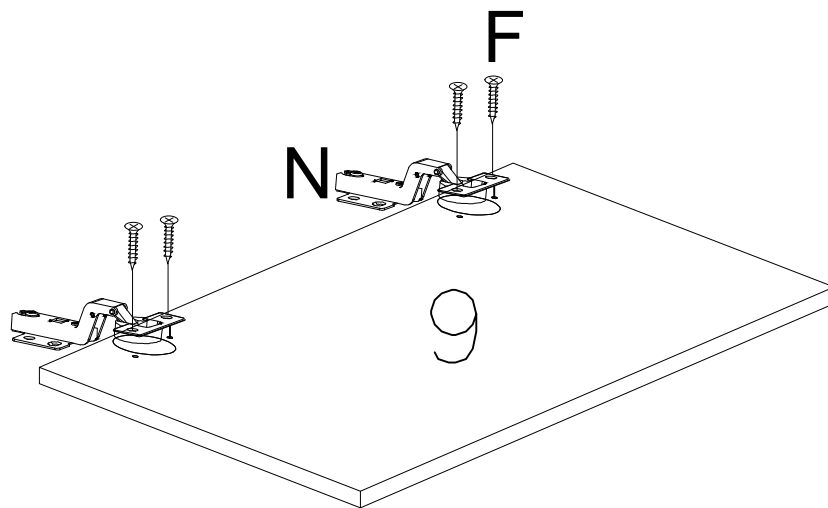




STEP 49

All drawers need to be tilted 135 ° and placed inside the cabinet

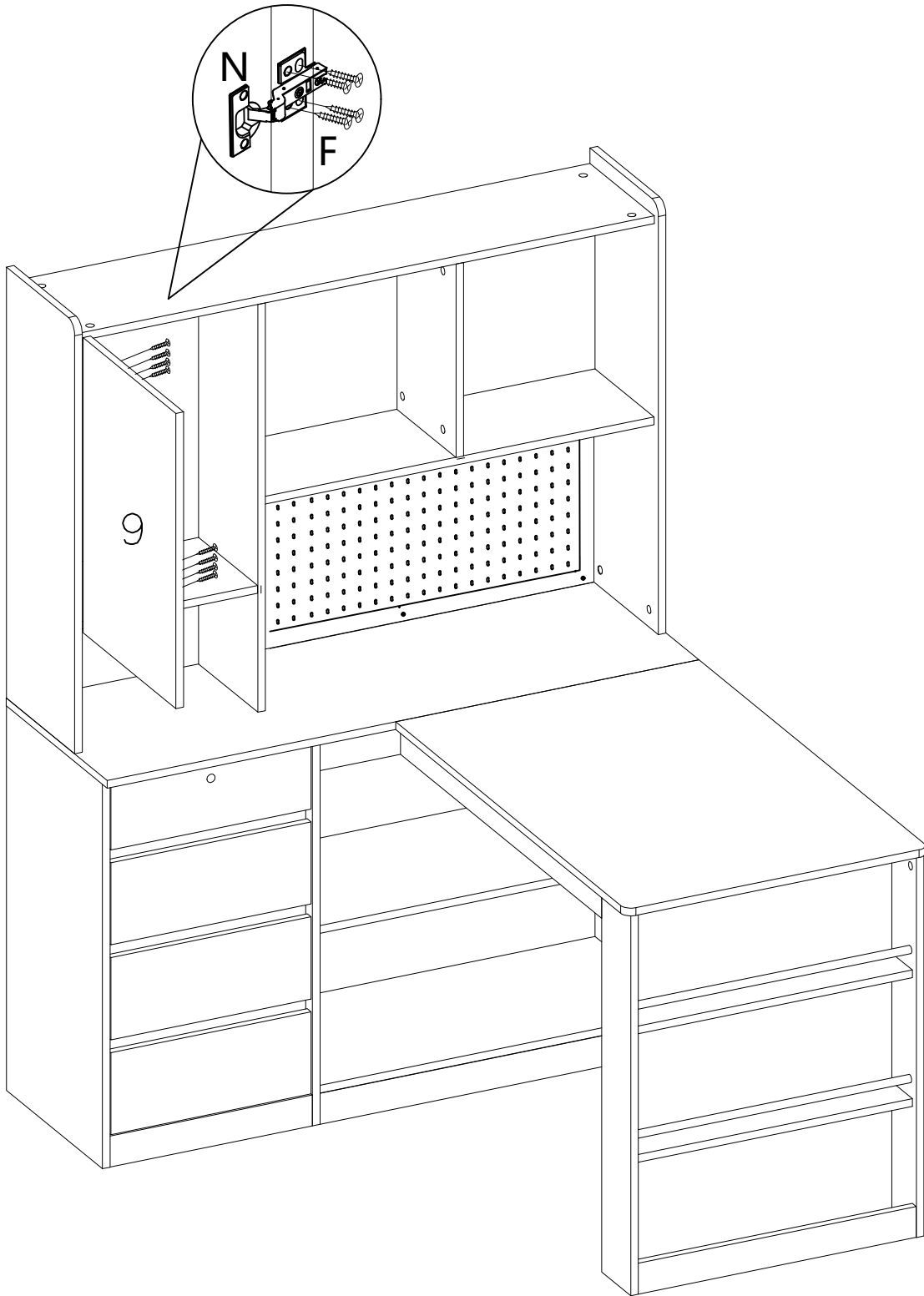



STEP 50



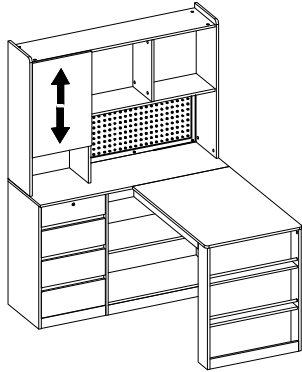
	F × 4PCS
	N × 2PCS

STEP 51

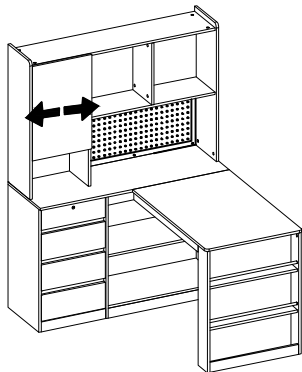
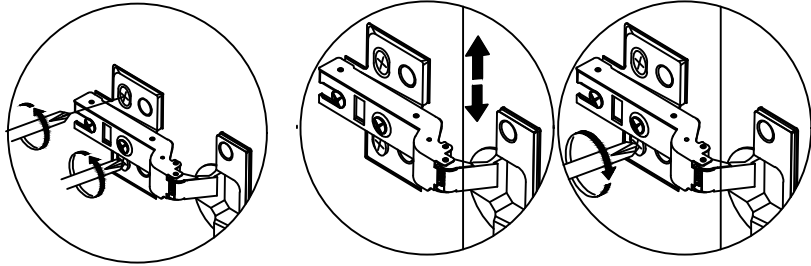


 F × 8PCS

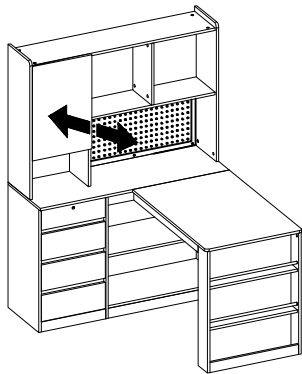
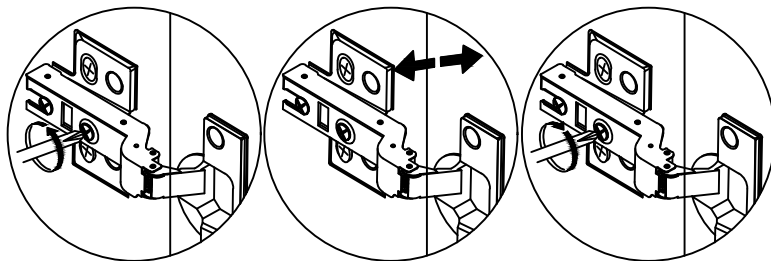
STEP 52



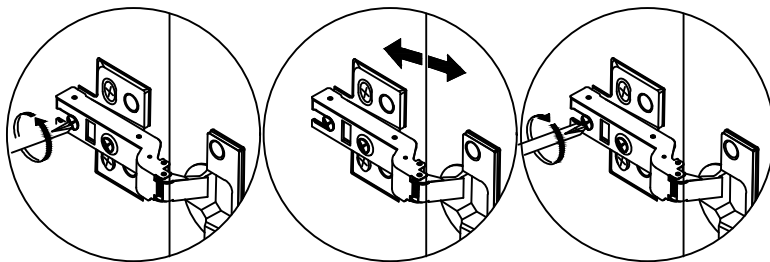
Cabinet door up and down fine adjustment



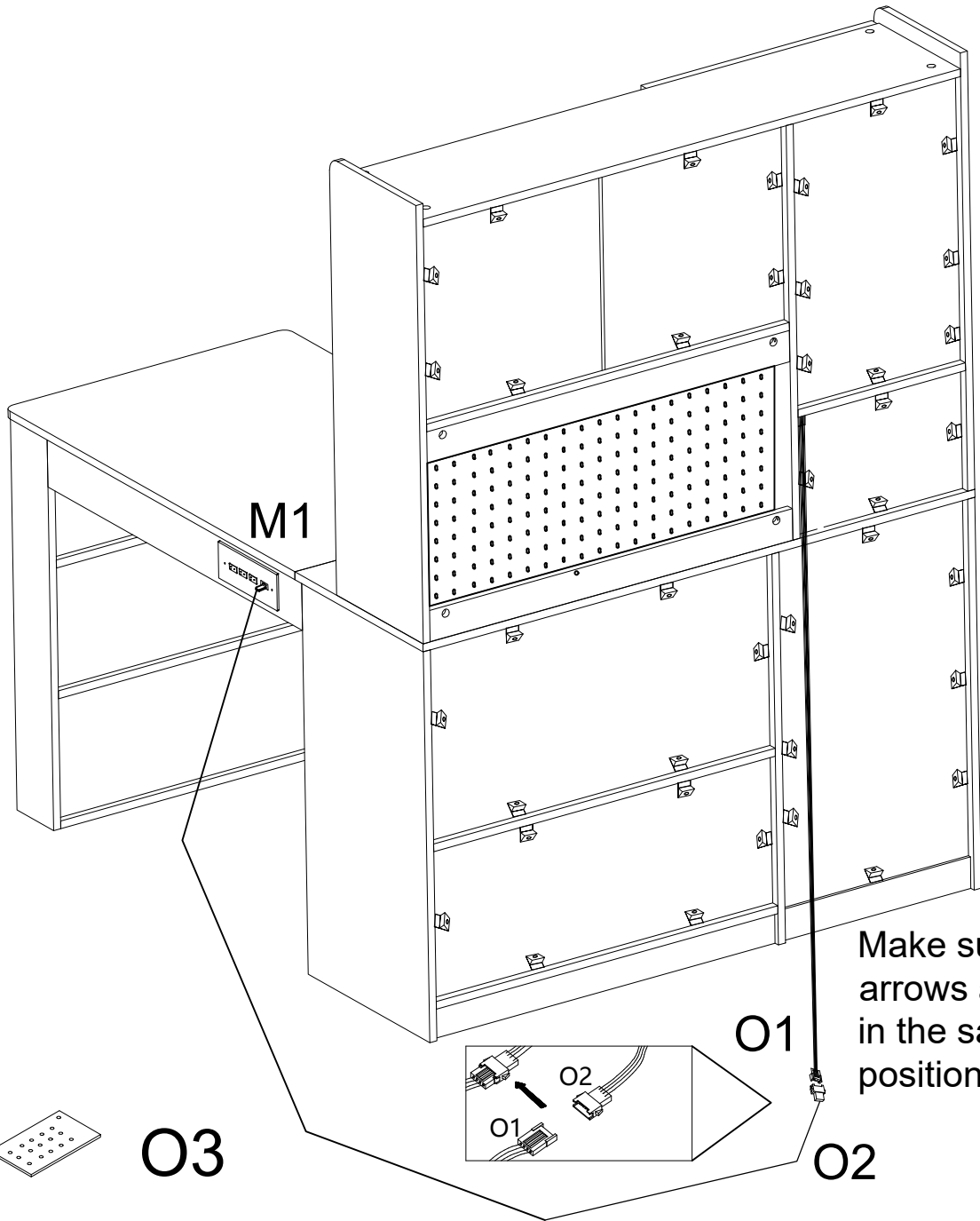
Cabinet door left and right fine adjustment



Fine-tune the gap after the cabinet door is closed





STEP 53



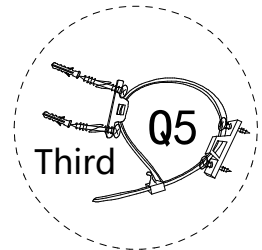
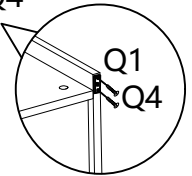
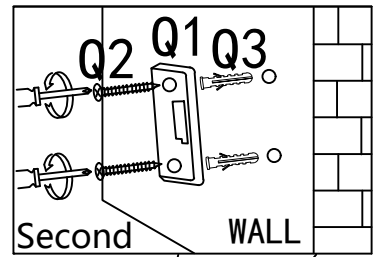
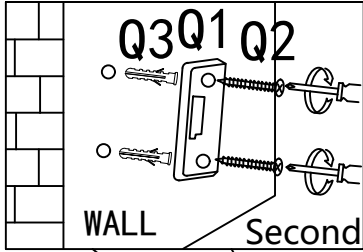
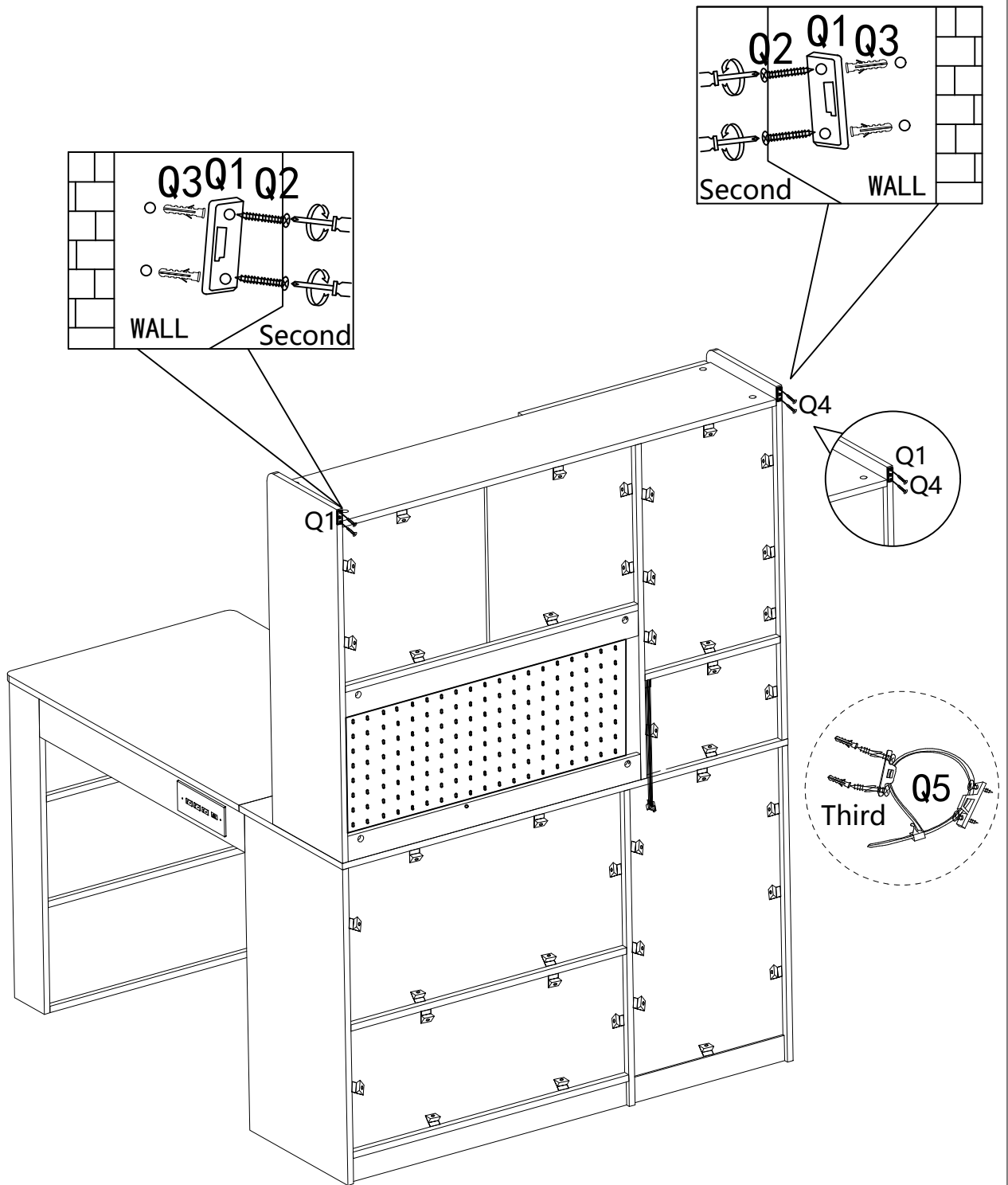
Make sure the arrows are in the same position !

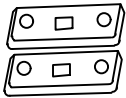

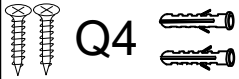
Last: Plug the O2 into the power supply !
O3 can be adjusted !

O1 and O2 are connected;
O2 and M1 are connected;

	O2 × 1PC
	O3 × 1PC

STEP 54



	<p>Q1 Q2</p>	<p>Q × 2PCS</p>
	<p>Q5</p>	
	<p>Q4 Q3</p>	