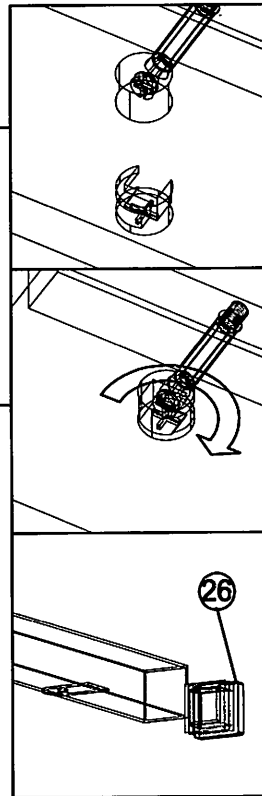
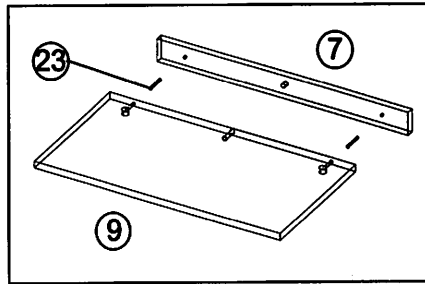
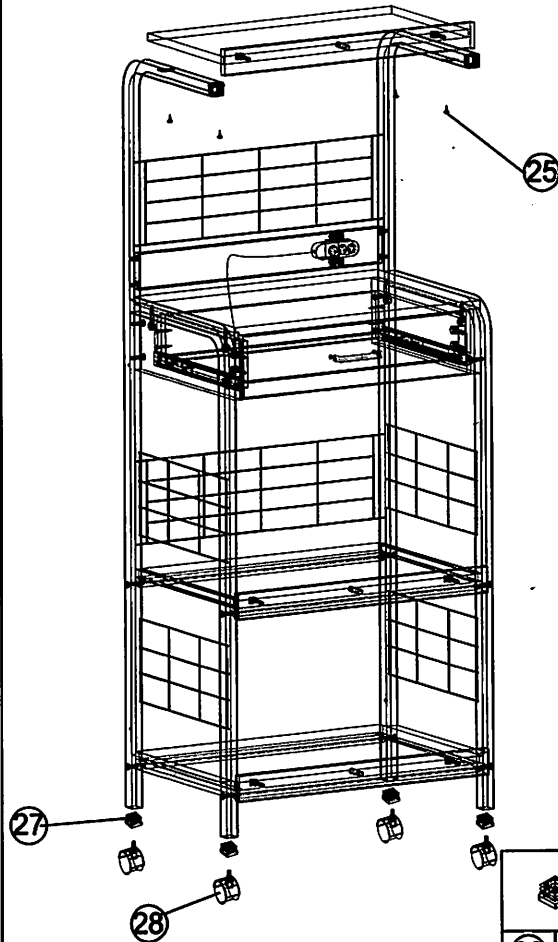
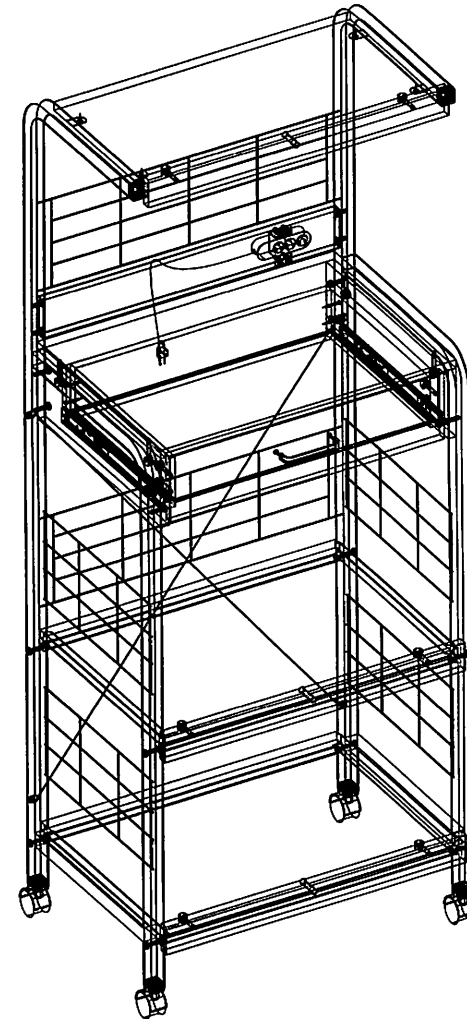


Step 12

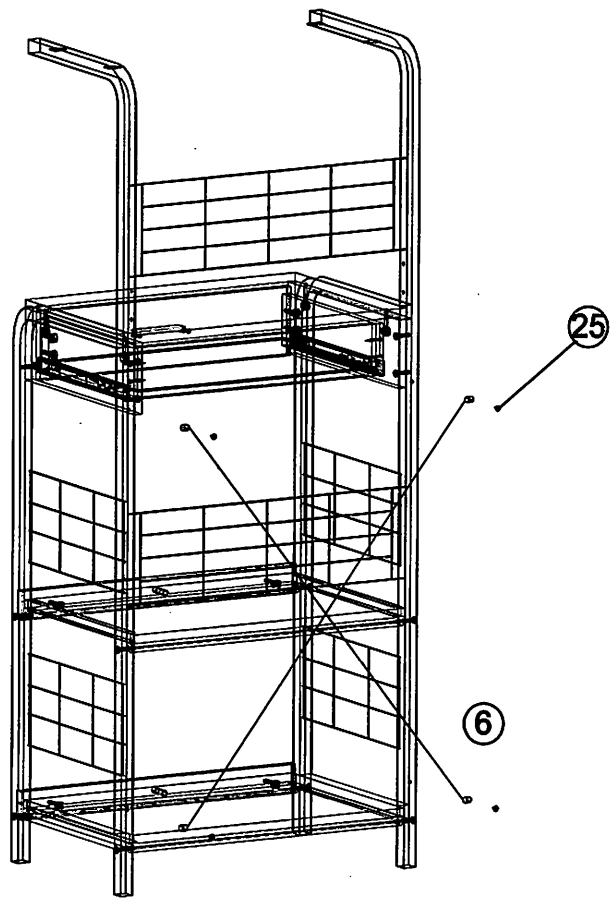


Final:

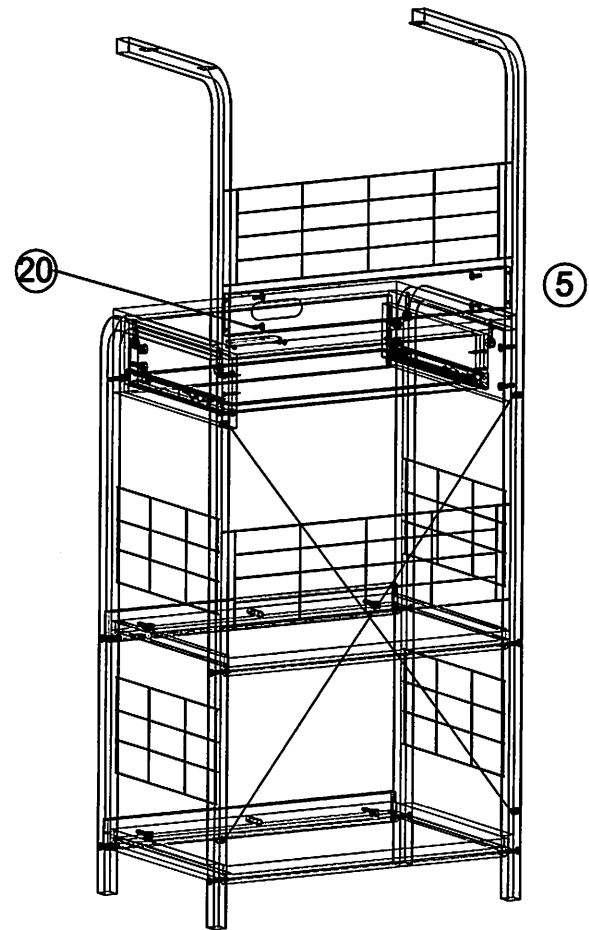




|         |         |         |        |        |
|---------|---------|---------|--------|--------|
|         |         |         |        |        |
| (26) x2 | (25) x4 | (23) x4 | (9) x1 | (7) x1 |
| (27) x4 | (28) x4 |         |        |        |



Step 10:



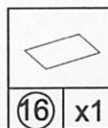
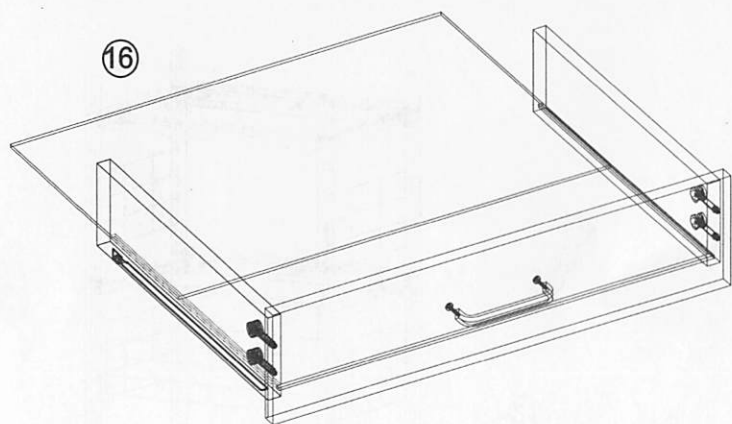
Step 11:



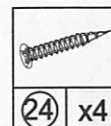
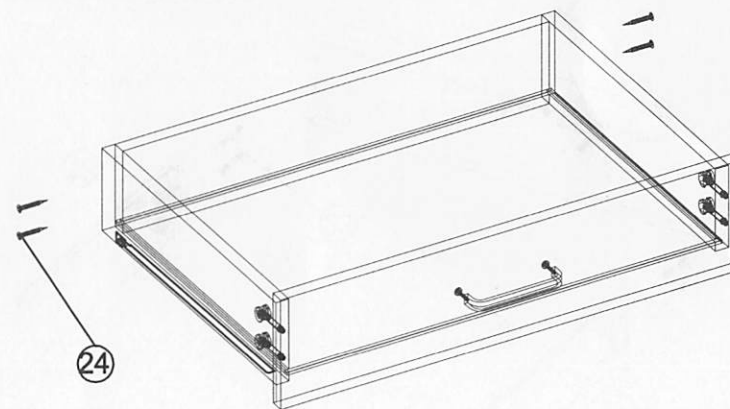
|  |   |
|--|---|
|  |  |
| 25 x4  | 6 x1  |

|   |   |
|---|---|
|  |  |
| 20 x4   | 5 x1  |

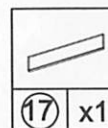
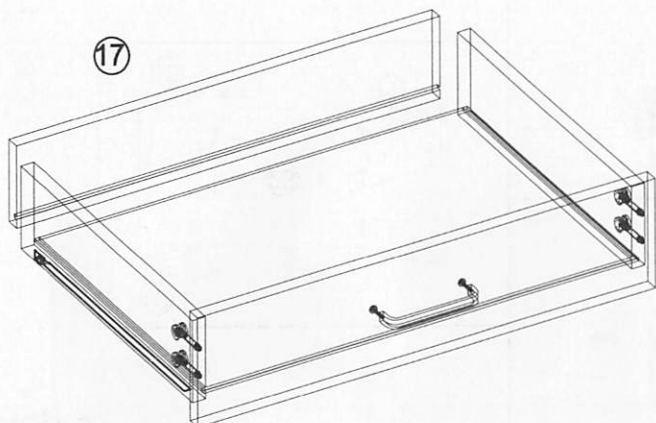
Step 6:



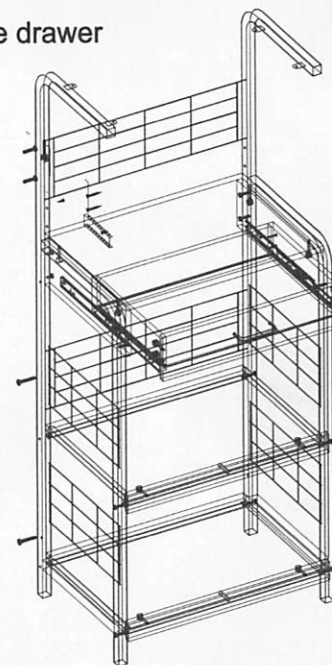
Step 8:



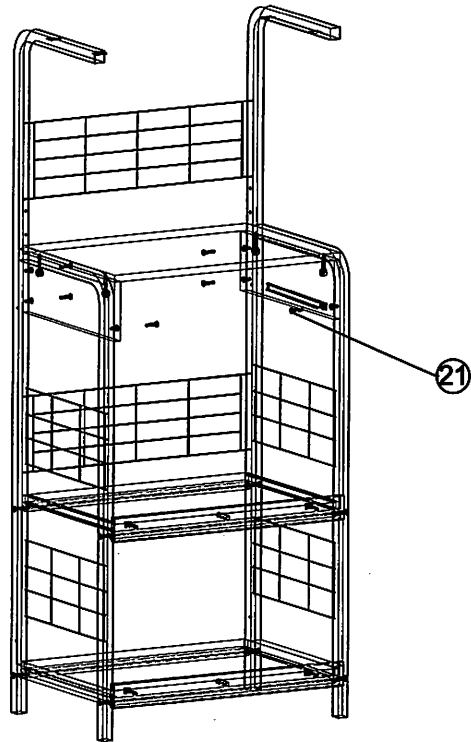
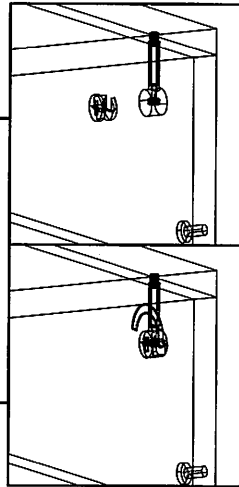
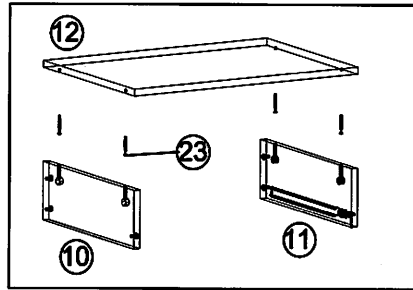
Step 7:



Step 9: Install the drawer

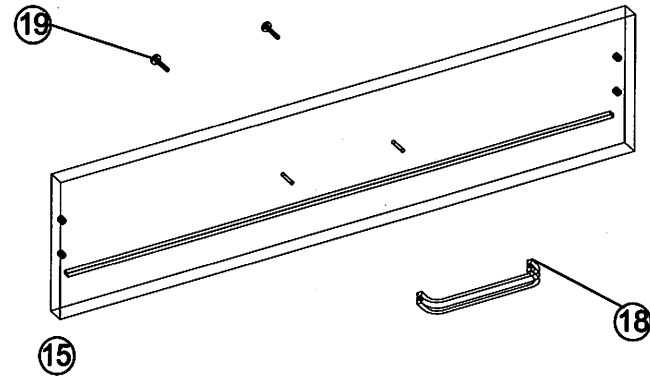


### Step 3:



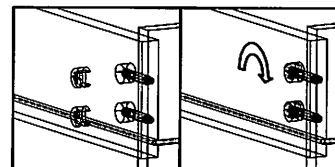
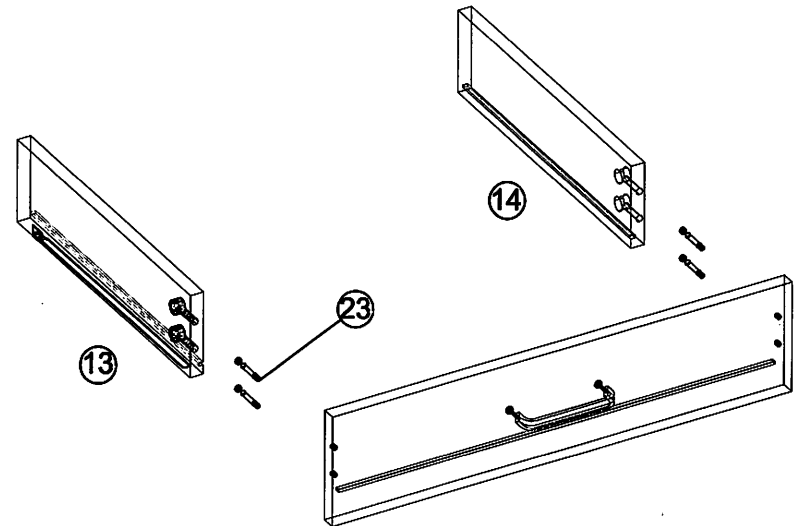
|         |         |         |
|---------|---------|---------|
|         |         |         |
| (12) x1 | (10) x1 | (11) x1 |
|         |         |         |
| (21) x6 | (23) x4 |         |

### Step 4:



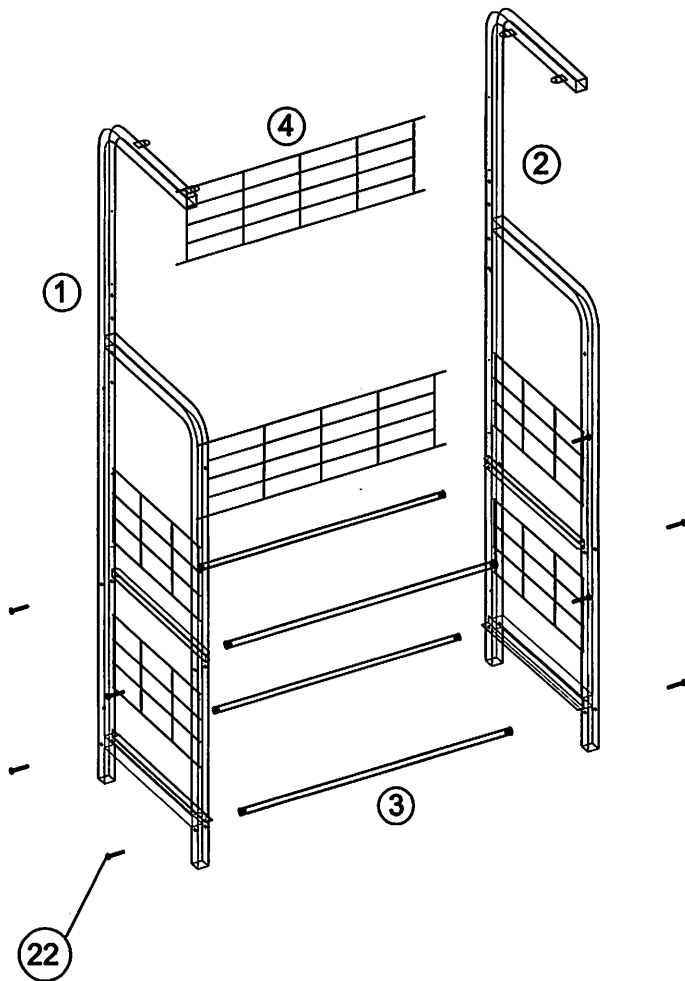
|         |         |         |
|---------|---------|---------|
|         |         |         |
| (18) x1 | (19) x1 | (15) x1 |

### Step 5:



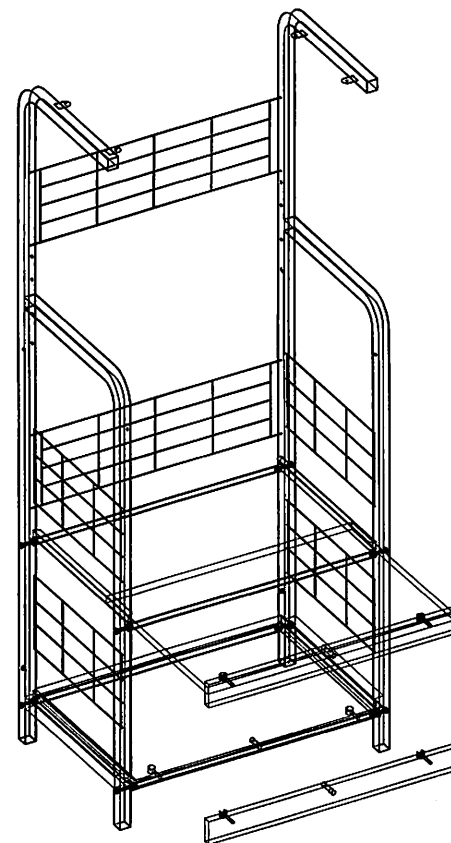
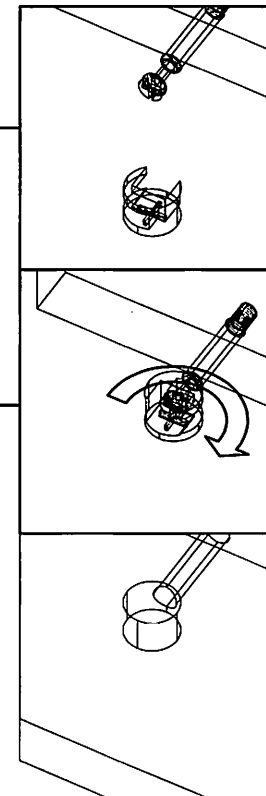
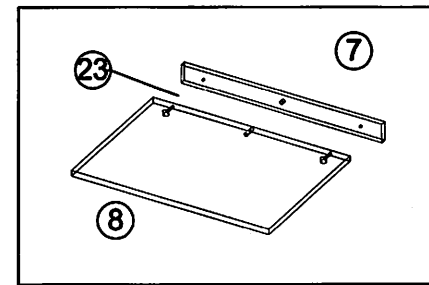
|         |         |         |
|---------|---------|---------|
|         |         |         |
| (13) x1 | (14) x1 | (23) x4 |

### Step 1 :



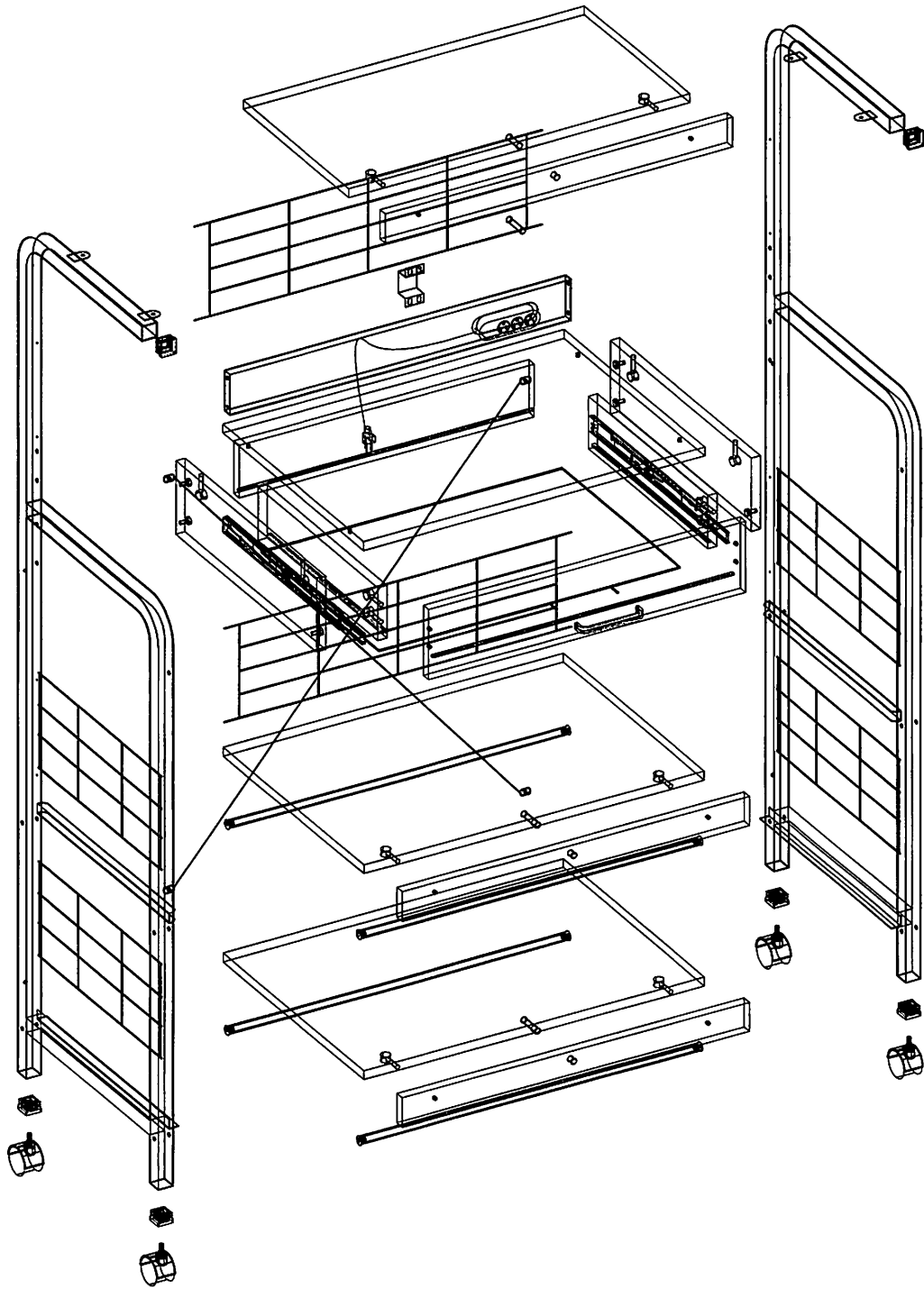
|      |      |       |      |      |
|------|------|-------|------|------|
|      |      |       |      |      |
| ③ x4 | ④ x2 | ②② x8 | ① x1 | ② x1 |

### Step 2 :



|      |      |       |
|------|------|-------|
|      |      |       |
| ⑦ x2 | ⑧ x2 | ②③ x4 |

# Explosive view



# Parts list

①



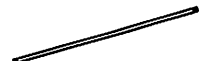
Left x1

②



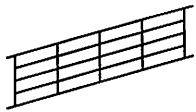
Right x1

③



x4

④



x2

⑤



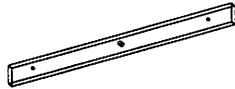
x1

⑥



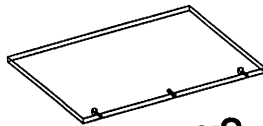
x1

⑦



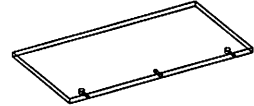
x3

⑧



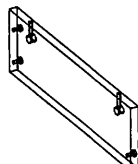
x2

⑨



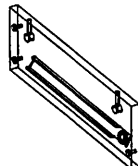
x1

⑩



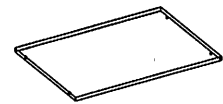
Left side board x1

⑪



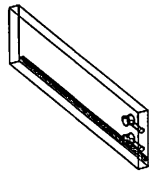
Left side board x1

⑫



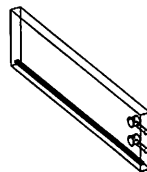
Top Board x1

⑬



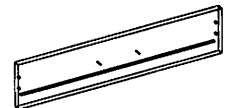
Drawer left board x1

⑭



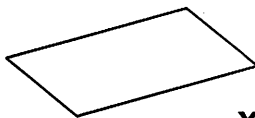
Drawer right board x1

⑮



Drawer front board x1

⑯



Drawer bottom board x1

⑰



Drawer last board x1

⑱



Handle x1

⑲



x2

4x18

⑳



x4

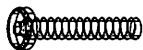
6x16

㉑



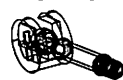
6x25 x6

㉒



6x35 x8

㉓



Three in one x14

㉔



4x30 x4

㉕



5x12 x8

㉖



25 Square stopper x2

㉗



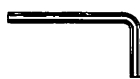
25 Square stopper with nut x4

㉘



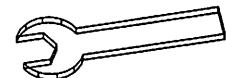
8mm Wheel x4

㉙



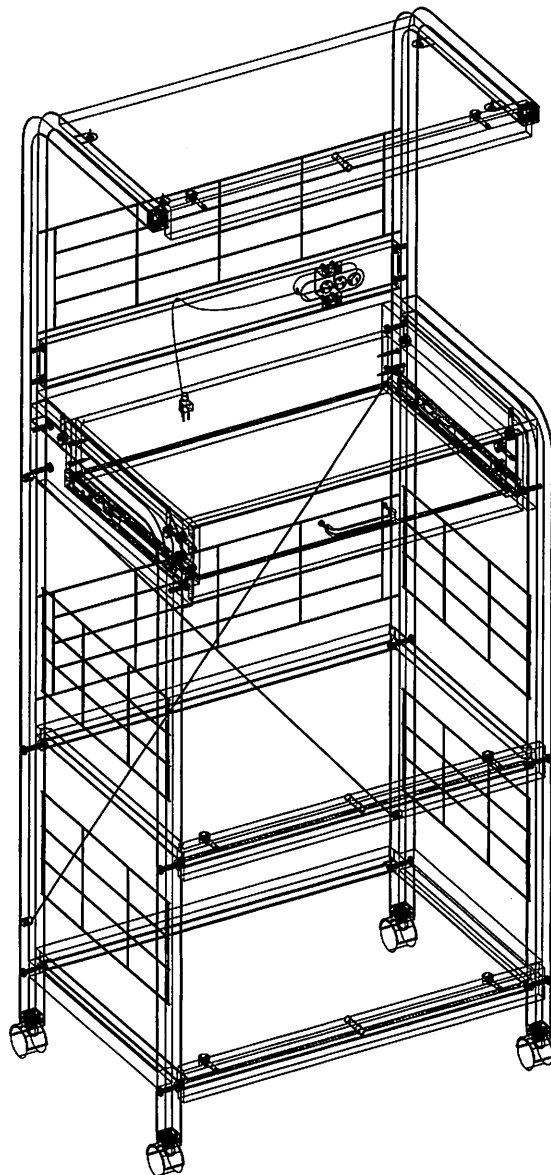
4mm Allen key x1

㉚



10mm Spanner x1

# Assembly Instruction



## **WARNING**

○ Do not tighten the screws until they have been installed