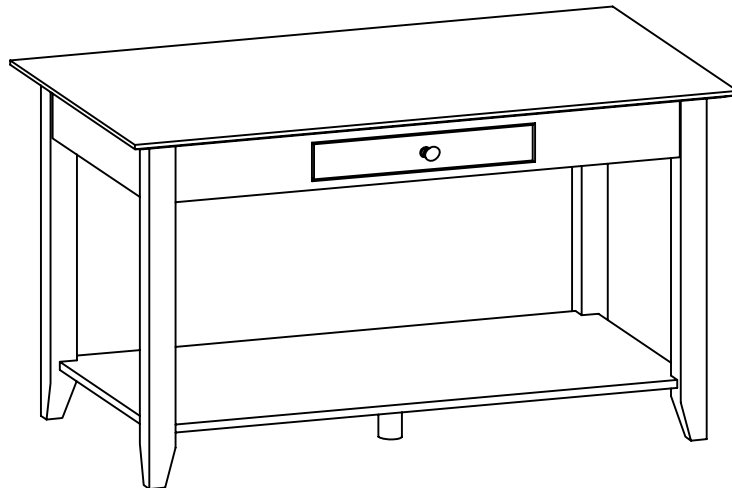





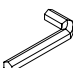




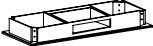
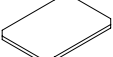
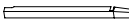
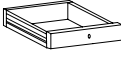

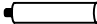
# CONSOLE TABLE WITH DRAWER AND SHELF



## HARDWARE LIST

CODE	NAME	FIGURE	Q'TY
A	CAM LOCK (15*9mmL)		4PCS
B	CAM BOLT (6.5*35mmL)		4PCS
C	ALLEN SCREW (Ø1/4*50mmL)		8PCS
D	WASHER (Ø1/4*16mmL)		8PCS
E	LOCK WASHER (Ø1/4*11*1.5mmL)		8PCS
F	ALLEN WRENCH (4*21*57mmL)		1PC
G	HANDLE		1PC
H	SCREW (Ø9*25mmL)		1PC

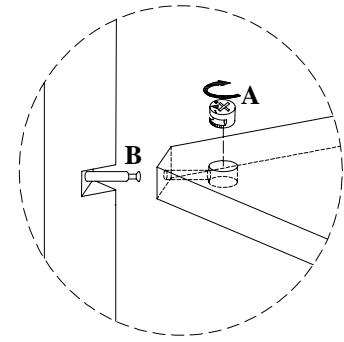
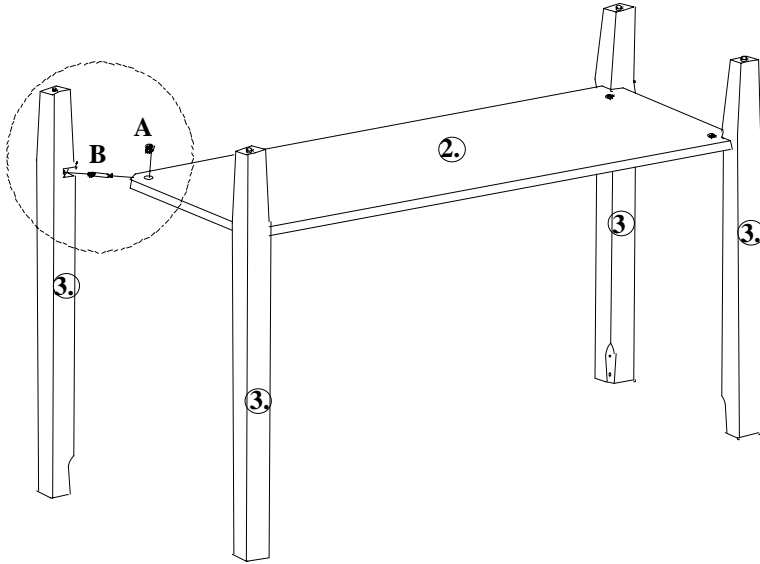
## PARTS LIST

CODE	NAME	FIGURE	Q'TY
1	TOP PANEL		1PC
2	BOTTOM PANEL		1PC
3	LEG		4PCS
4	DRAWER		1PC
5	COLOR STICK		1PC
6	BOTTOM LEG		1PC

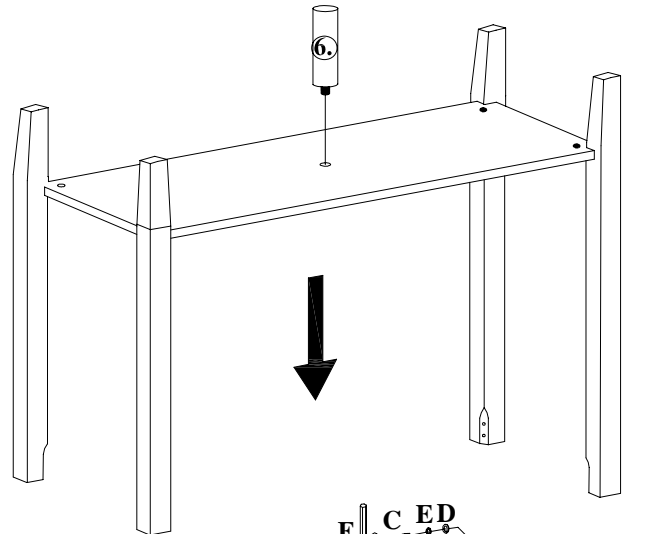


Please do not return to the store  
 . Broken or Missing Parts?  
 . Need help with Assembly?

1. SCREW CAMBOLTS (B) INTO LEGS (3) AND PLACE CAMLOCKS (A) INTO BOTTOM PANEL (2).



\*ARROW ON CAMLOCK FACES SCREWHOLE.  
INSERT LEG AND LOCK INTO POSITION  
BY TURNING CAMLOCK CLOCKWISE

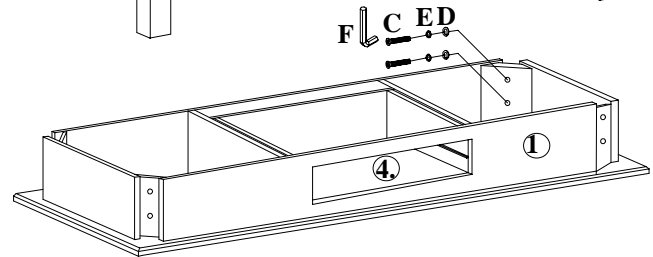


HARDWARE  
NEEDED

A x 4
B x 4

**STEP 1**

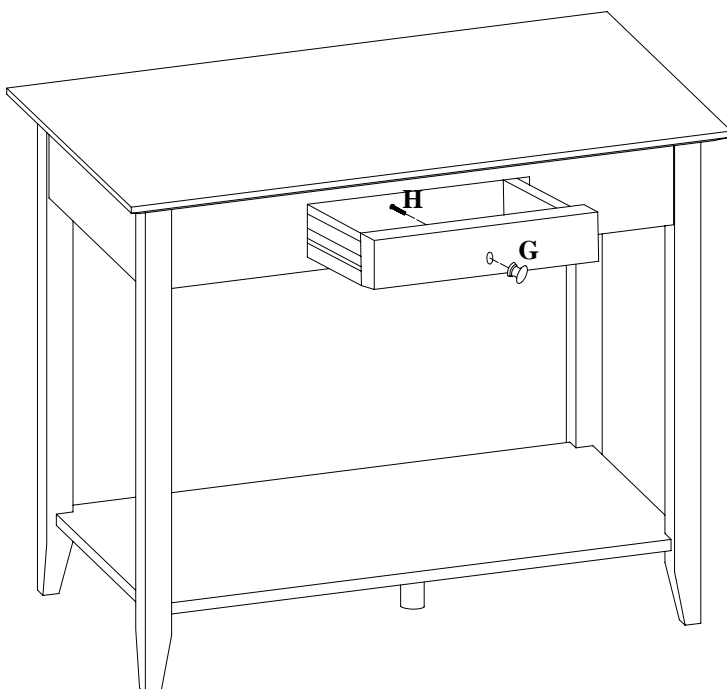
2. PLACE LEG ASSEMBLY ONTO  
TOP PANEL (1) AND FASTEN WITH ALLEN  
SCREWS (C) AND WASHERS (D) AND (E).



HARDWARE  
NEEDED

C x 8
D x 8
E x 8
F x 1

**STEP 2**



HARDWARE  
NEEDED

G x 1
H x 1

**STEP 3**