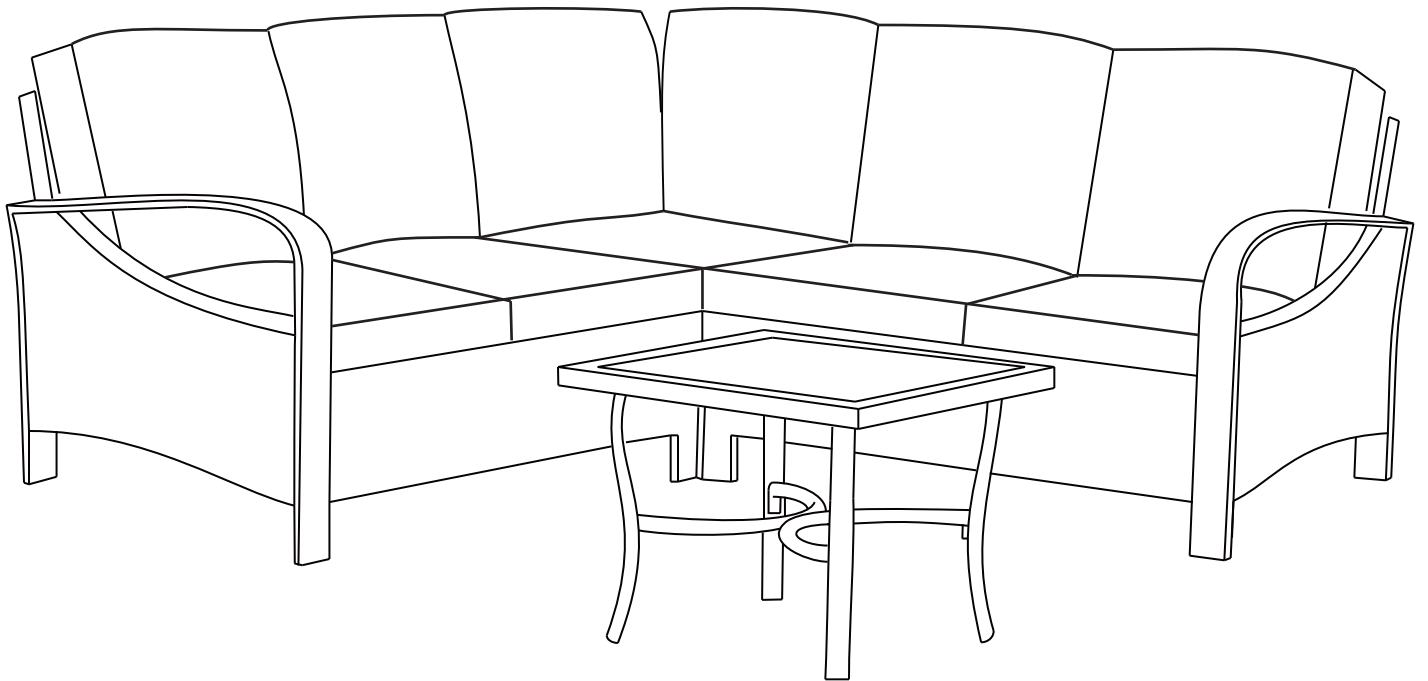
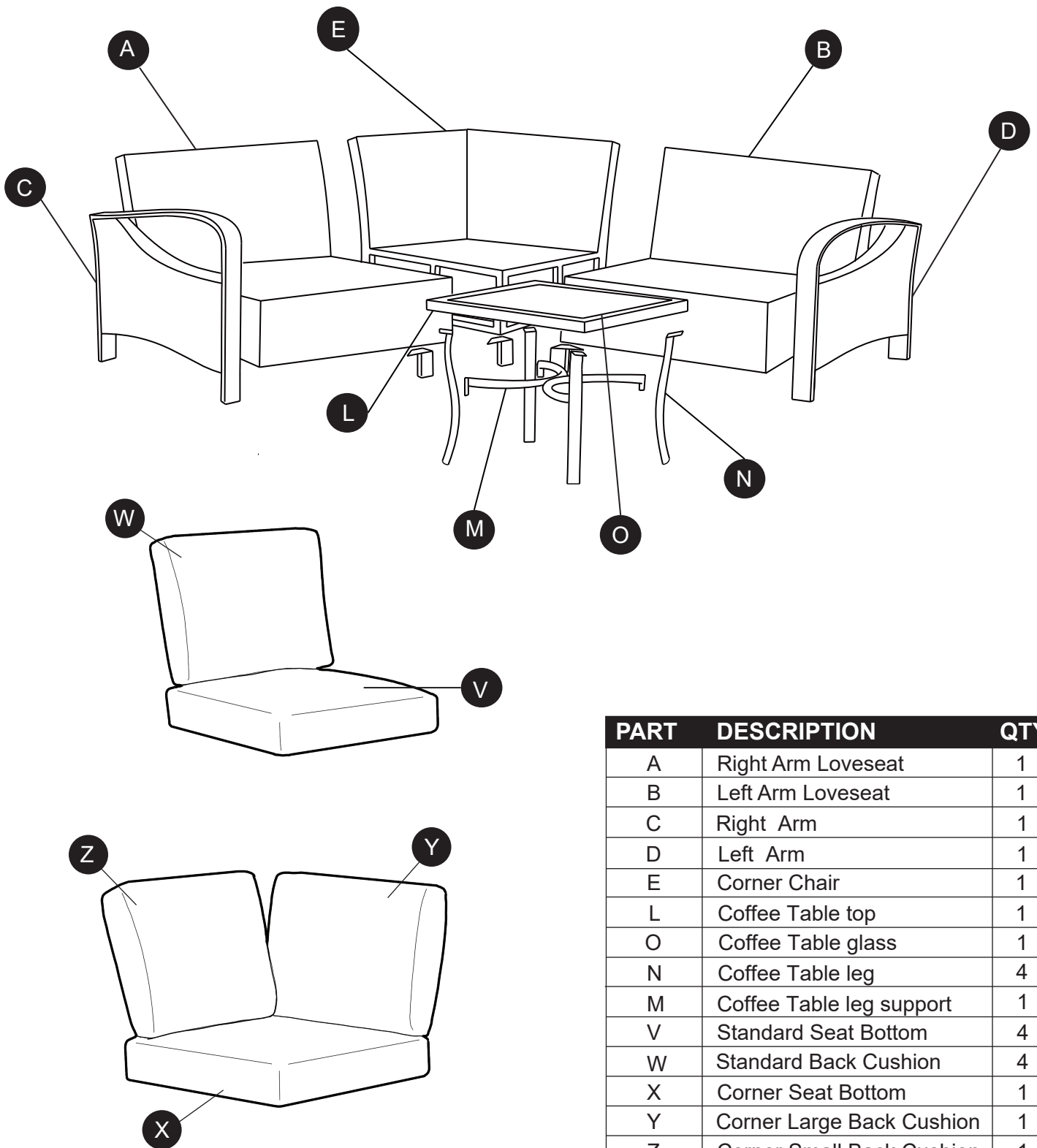


# TRENTON SECTIONAL ASSEMBLY INSTRUCTIONS



# PACKAGE CONTENTS



PART	DESCRIPTION	QTY
A	Right Arm Loveseat	1
B	Left Arm Loveseat	1
C	Right Arm	1
D	Left Arm	1
E	Corner Chair	1
L	Coffee Table top	1
O	Coffee Table glass	1
N	Coffee Table leg	4
M	Coffee Table leg support	1
V	Standard Seat Bottom	4
W	Standard Back Cushion	4
X	Corner Seat Bottom	1
Y	Corner Large Back Cushion	1
Z	Corner Small Back Cushion	1

Note: You will also have 5 plastic bags containing your fabric covers.

4 Bags: Standard Seat Covers (1 bag contains both 1 bottom seat and 1 back cover)

1 Bag: Corner Seat Covers (1 bag contains 3 covers: 1 bottom and 2 back covers)

## HARDWARE CONTENTS

---

AA



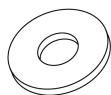
M6x16mm  
Qty: 8

BB



M6x35mm  
Qty: 32

CC



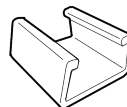
Washer  
Qty:40

RR



Nuts  
Qty:12

EE



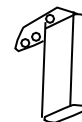
Chair Clips  
Qty: 2

JJ



Allen Key  
Qty: 1

FF




Sofa feets  
Qty: 8

## SAFETY INFORMATION

---

Please read and understand this entire manual before attempting to assemble, operate or install the product.

 **CAUTION:** Assemble on a soft, non-abrasive surface.

## PREPARATION

---

Before beginning assembly of product, make sure all parts are present. Compare parts with the package contents list and hardware contents list. If any part is missing or damaged, do not attempt to assemble the product.

If you find a missing or damaged part, please look through all pieces to make sure nothing else is missing or damaged. Compile a comprehensive list and give us a call. We will send out all parts in a single shipment. Ensuring you have all missing parts identified at the time you call will ensure a faster delivery to complete your beautiful patio furniture.

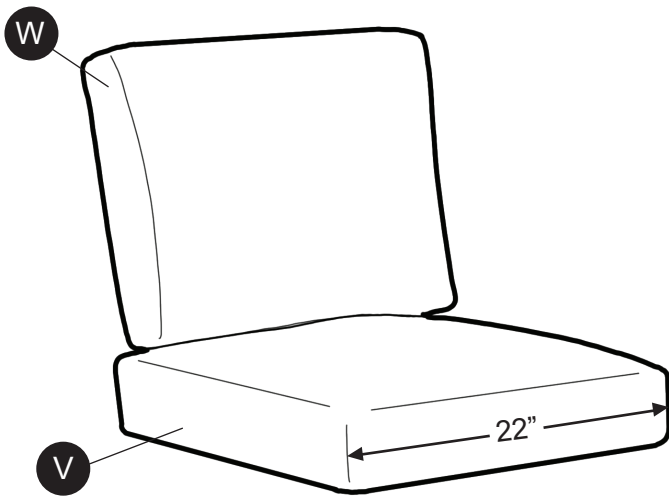
## CUSHION ASSEMBLY

Before beginning, make sure all cushions and covers are present. The differences between the standard cushions and the corner cushion is very subtle, so make sure you have identified the difference in size before pulling on the fabric covers.

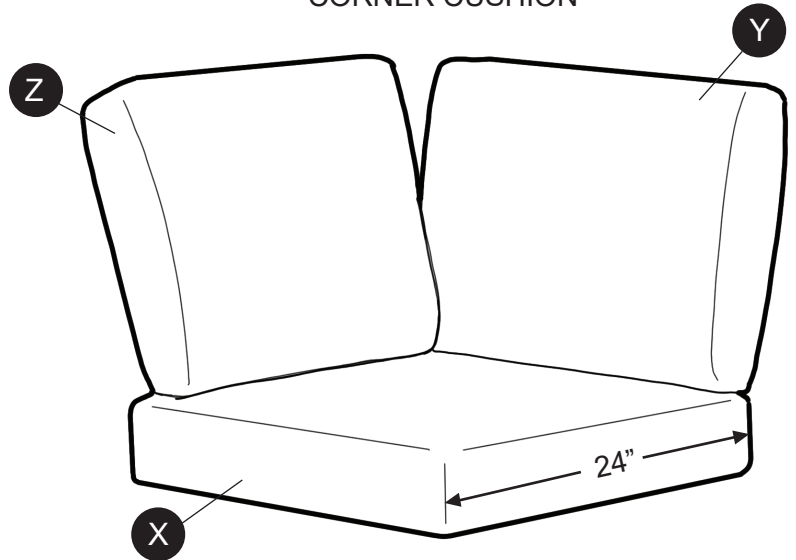
**NOTE:** Do not remove covers from plastic bags until you have paired them with the matching (V, W, X, Y, Z) cushion. Match the letters on the cushion with the same letters on the fabric bags.

PART	DESCRIPTION	QTY
V	Standard Seat Bottom	4
W	Standard Back Cushion	4
X	Corner Seat Bottom	1
Y	Corner Large Back Cushion	1
Z	Corner Small Back Cushion	1

STANDARD CUSHION



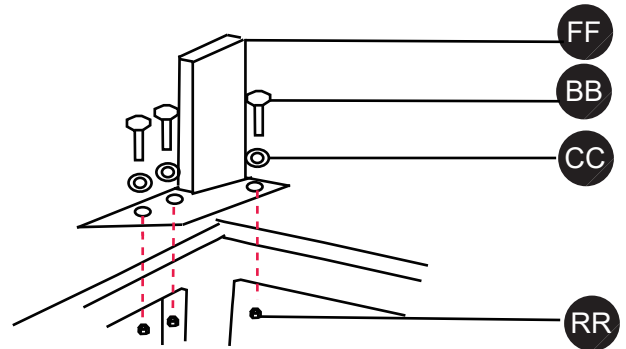
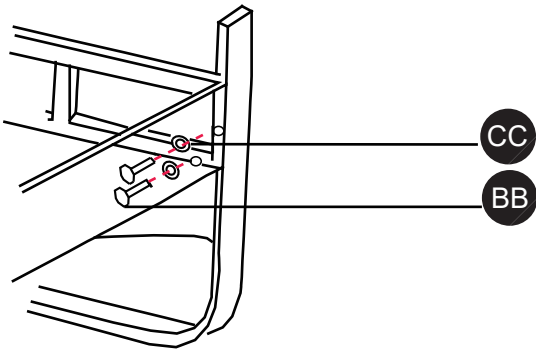
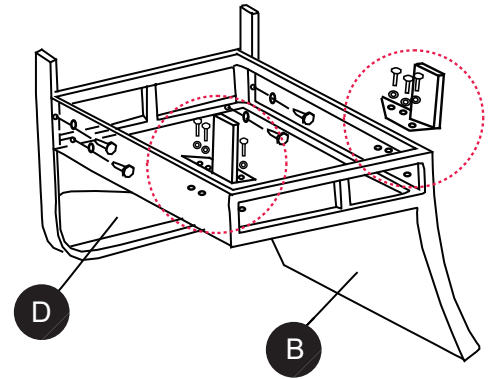
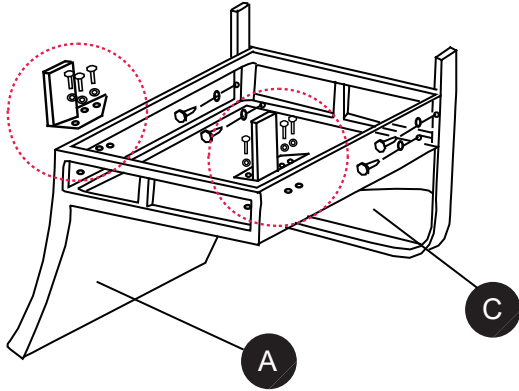
CORNER CUSHION



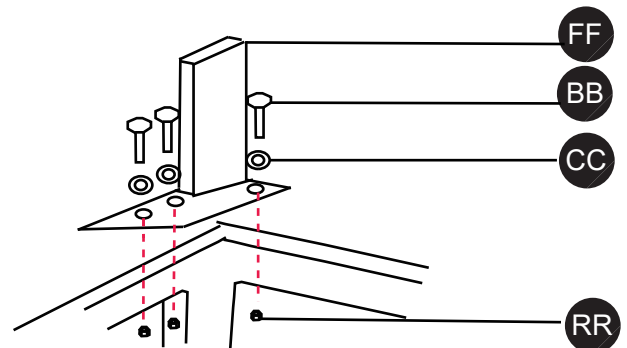
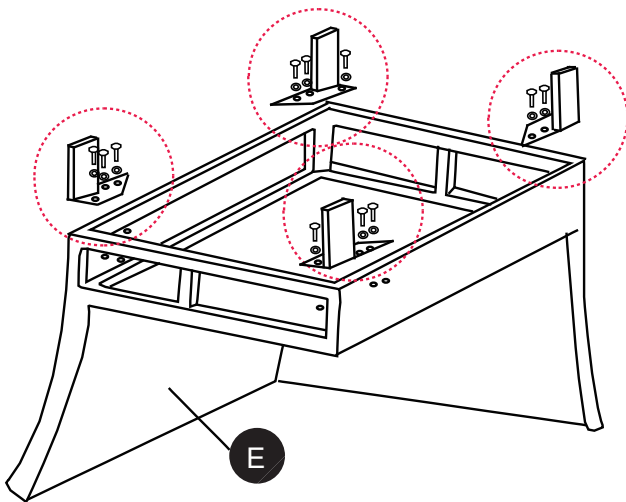
**HELPFUL TIP:** we call this the 'Taco Method'. Place the cushion between your knees and squeeze together to form a taco. This makes it much easier to pull on the cushion cover.

## ASSEMBLY INSTRUCTIONS

1. Place seat (A) face down on a soft surface and fasten the arm (C) to the seat (A) with bolts (BB) and washers (CC) using the allen key (JJ); Place seat (B) face down on a soft surface and fasten the arm (D) to the seat (B) with bolts (BB) and washers (CC) using the allen key (JJ); Attach the feet (FF) to seat (A & B) with bolts (BB) and washer (CC).

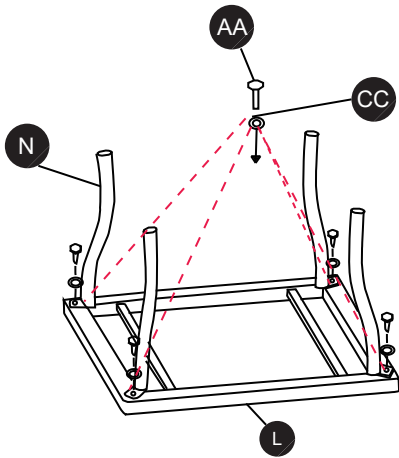


2. Place seat (E) face down on a soft surface and fix the feet (FF) to seat (E) with bolts (BB) and washer (CC) using the allen key (JJ).

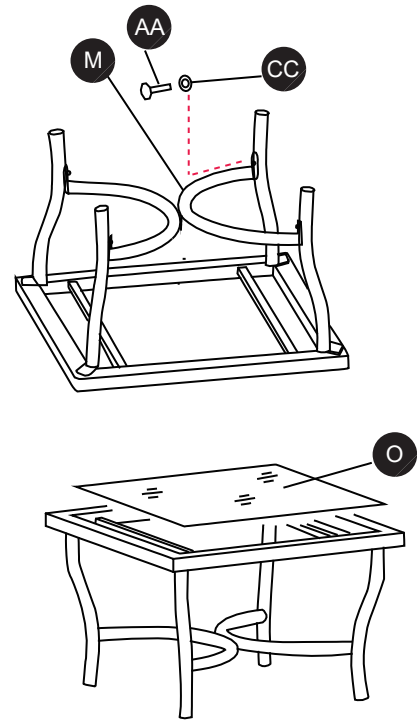


## ASSEMBLY INSTRUCTIONS

3. Place table top (L) face down on a soft surface and fasten the legs (N) to the top with the bolts (AA) and washers (CC) using the allen key (JJ).



4. With the table still facing down on the ground, attach the shelf (M) to the legs (N) using the bolts (AA) through the washers (CC).



5. Place glass(O) to the table top

6. Flip coffee table over and enjoy your beautiful furniture!

