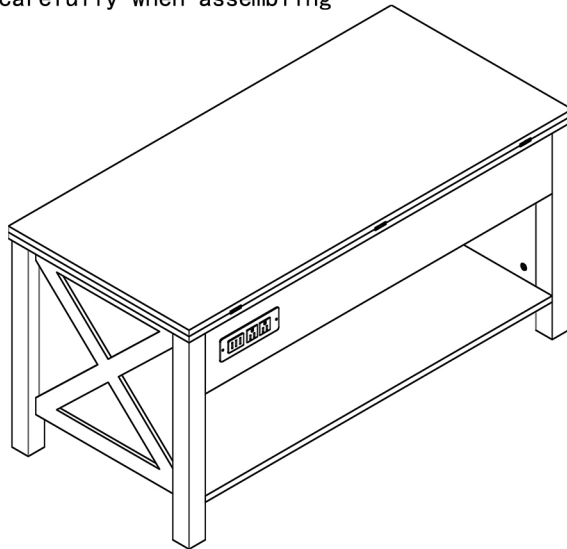
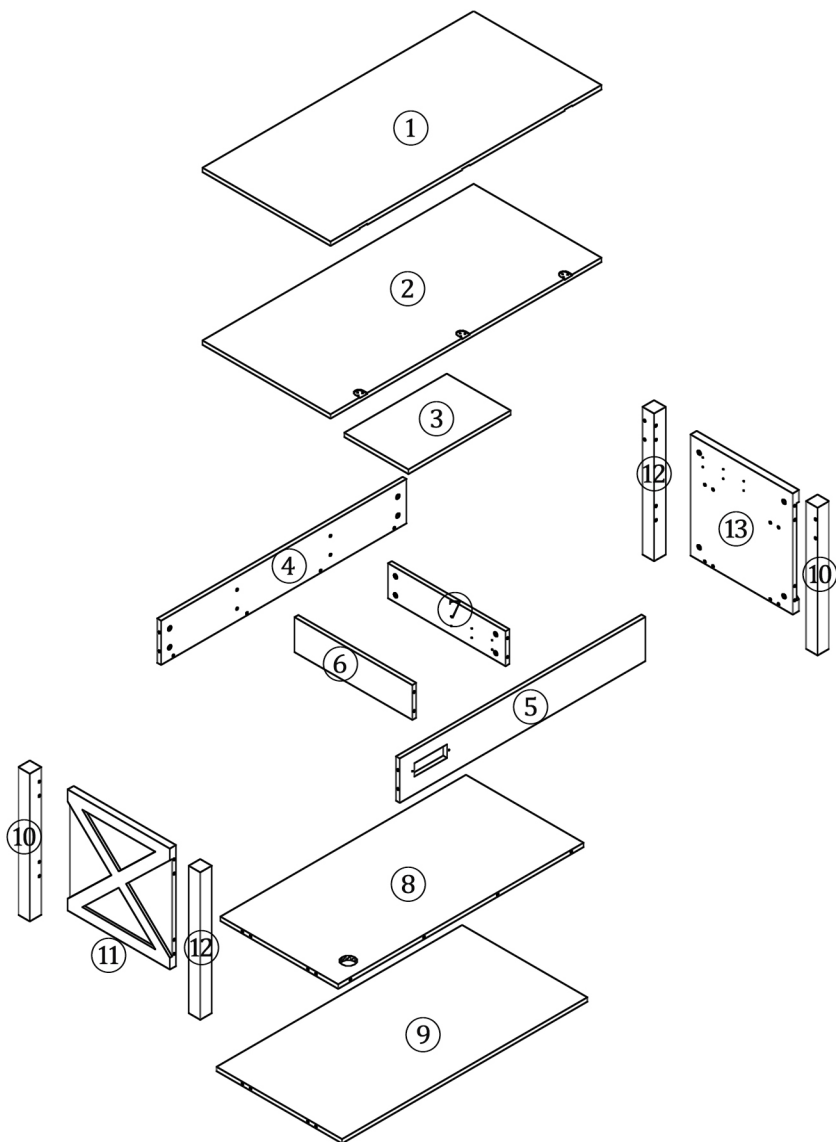














ASSEMBLY INSTRUCTION

- Please follow the instructions to assemble the items correctly.
- Please ensure the safety of the glass when assembling.
- Do not make the screws too loose or too tight.
- As shown in the figure, Insert the screw into the hole.
The arrow in the picture, Then rotate 90° or 180° clockwise.
- The accessory bag contains some small accessories, which should be kept away from children.
- The remaining parts are spare parts.
- Warm reminder white backboard please install the white side inward
- The operating instruction of RGB light is included in the package , please read it carefully when assembling



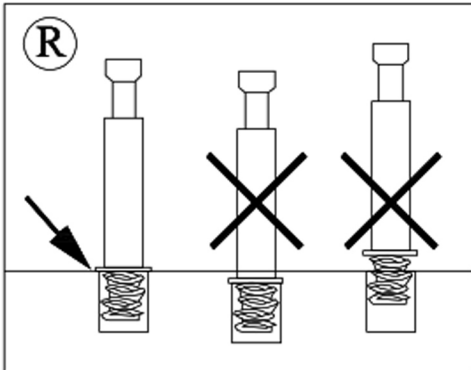
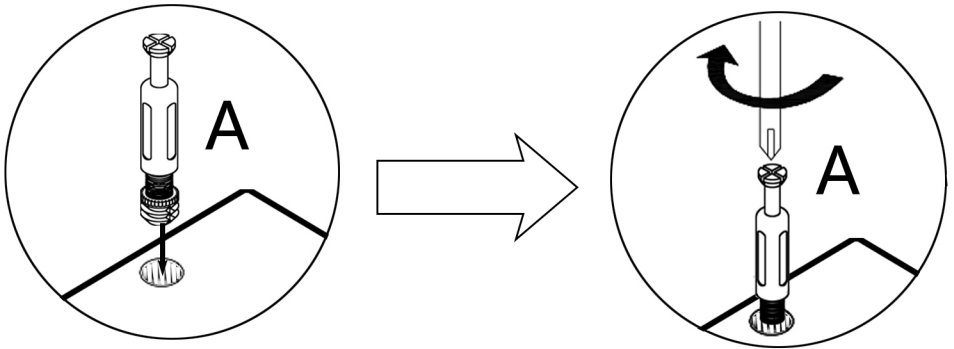


A  40pcs	B  40pcs	C1  3*12 20pcs	C4  3.5*16 36pcs	E  8*40 16pcs	I  3pcs	R  1pcs	S2  2pcs	S3  2pcs
BA  1pcs	AM  Decorative paper 26pcs	 LED						



Hardware installation demonstration

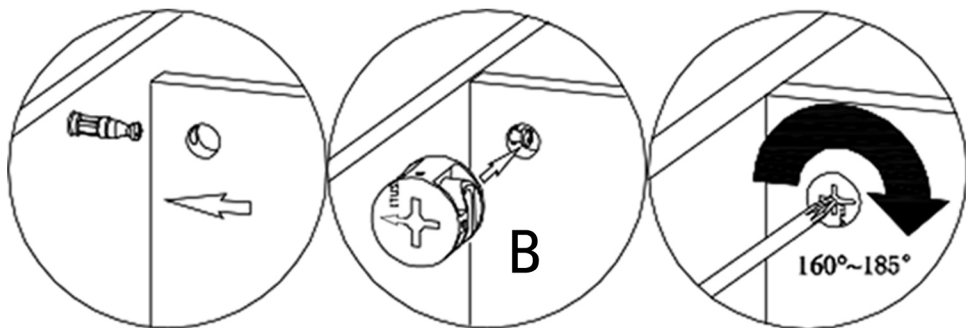
● Please make sure "A" hardware tightened and can't be pulled out



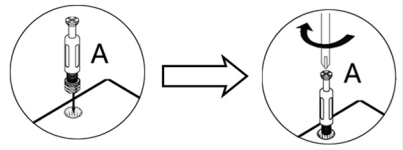
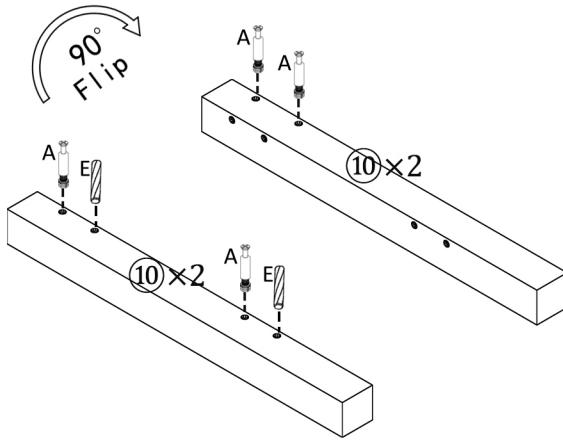


Hardware installation demonstration

- When inserting cam ensure arrowhead on cam points toward to the hole on the panel edge



STEP 1

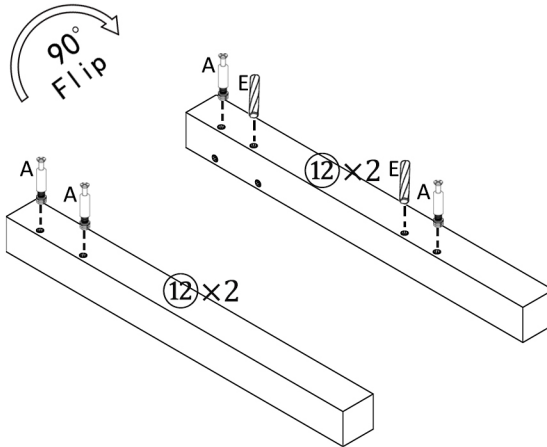


E*4



A*8

STEP 2

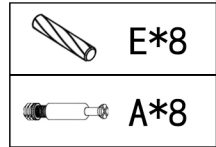
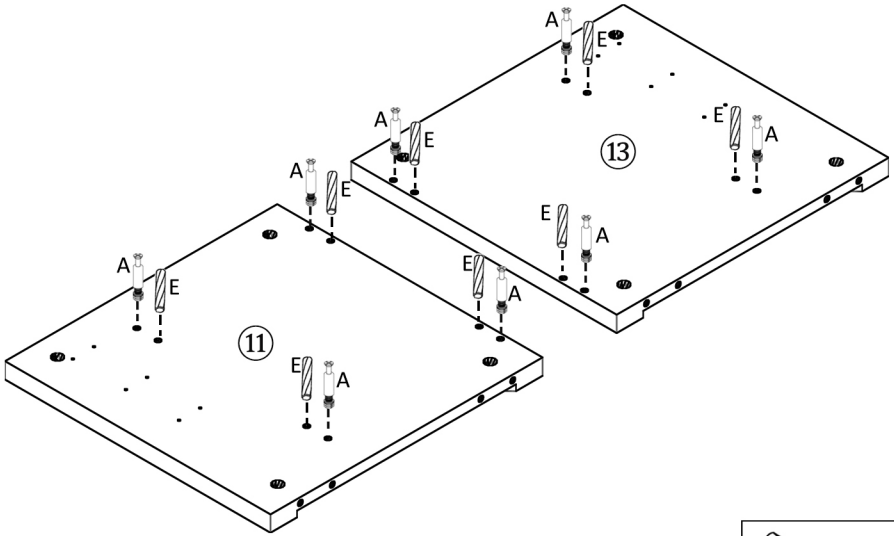


E*4

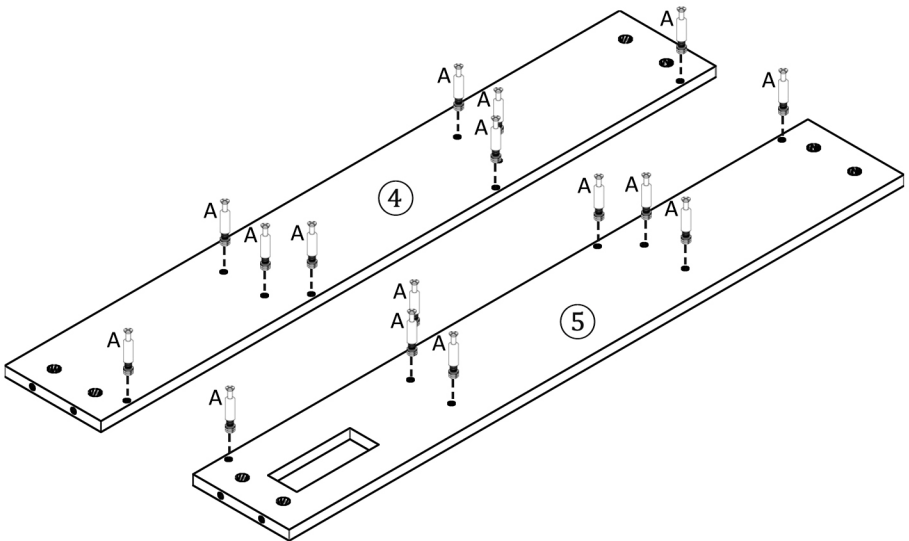


A*8

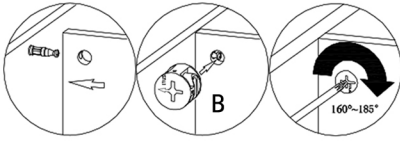
STEP 3



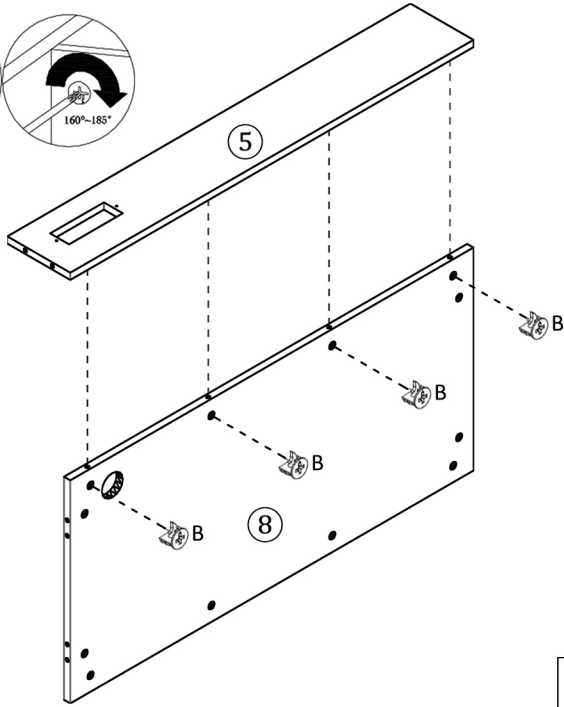
STEP 4



STEP 5



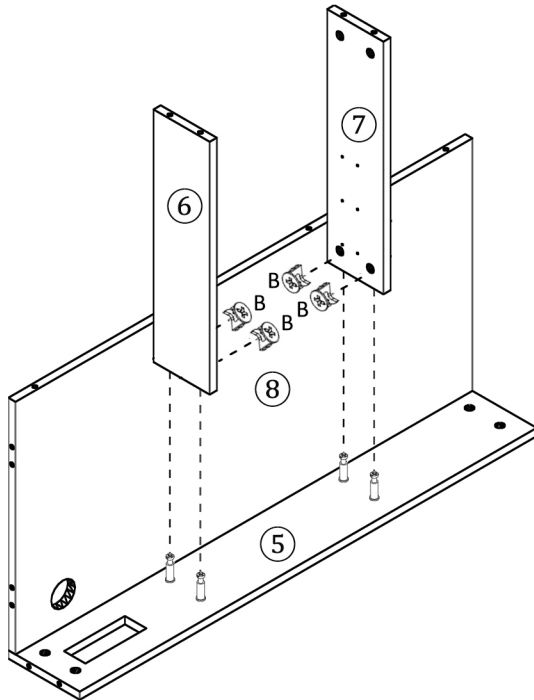
90°
Flip



 B*4

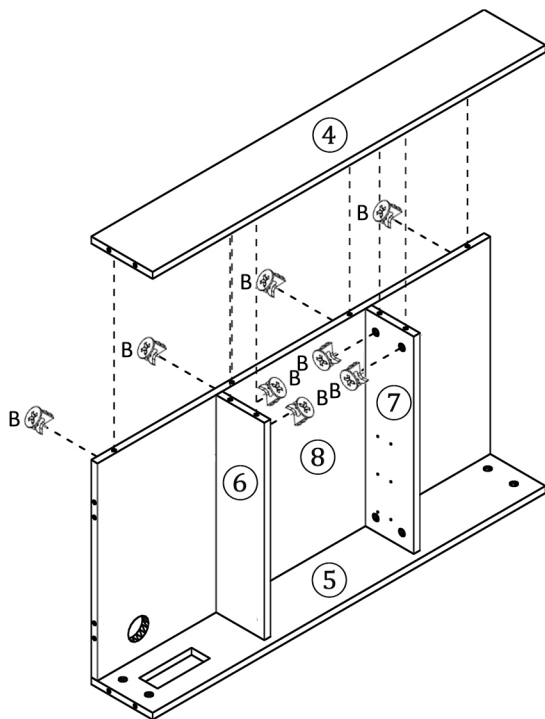
STEP 6

180°
Flip



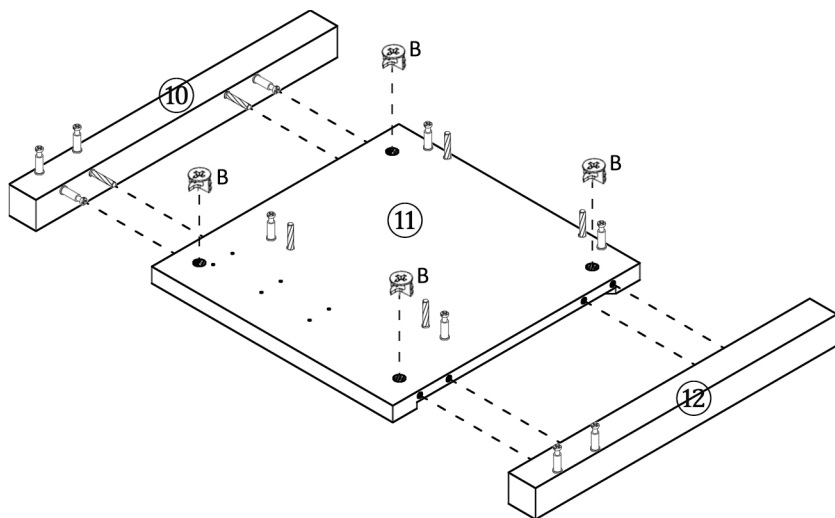
 B*4

STEP 7



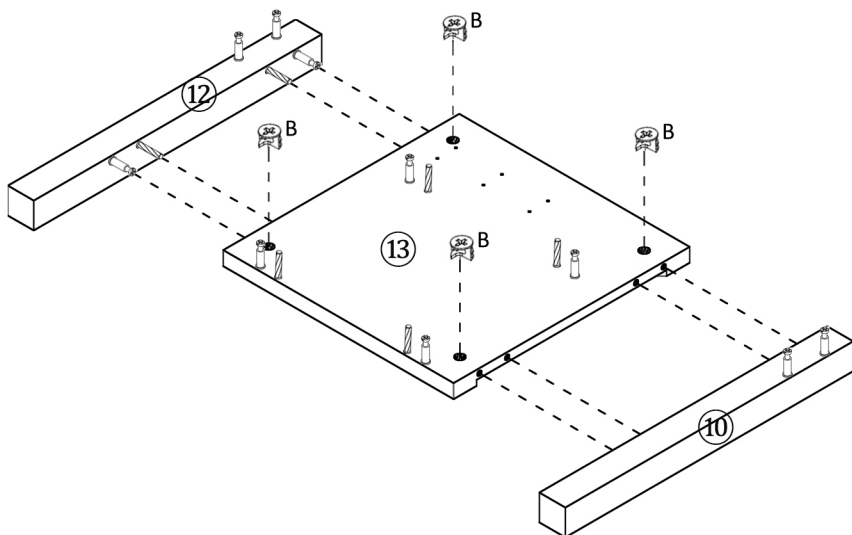
B*8

STEP 8



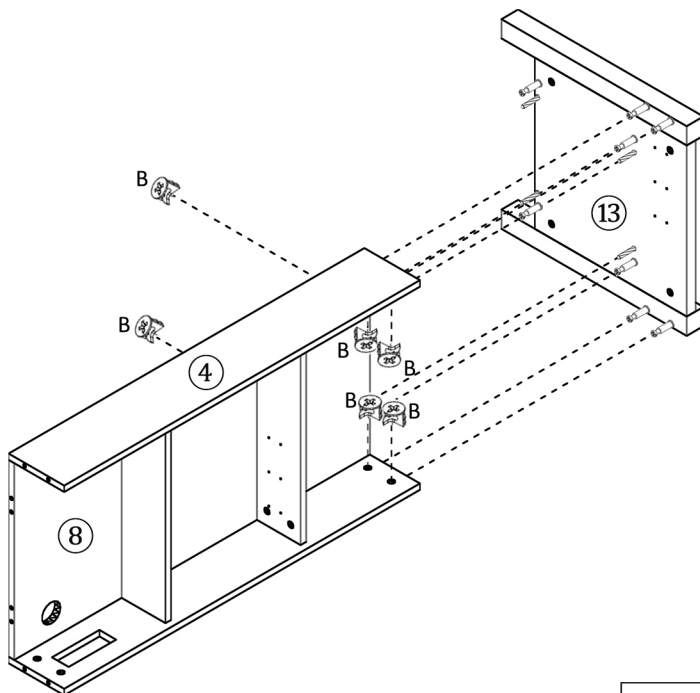
B*4

STEP 9



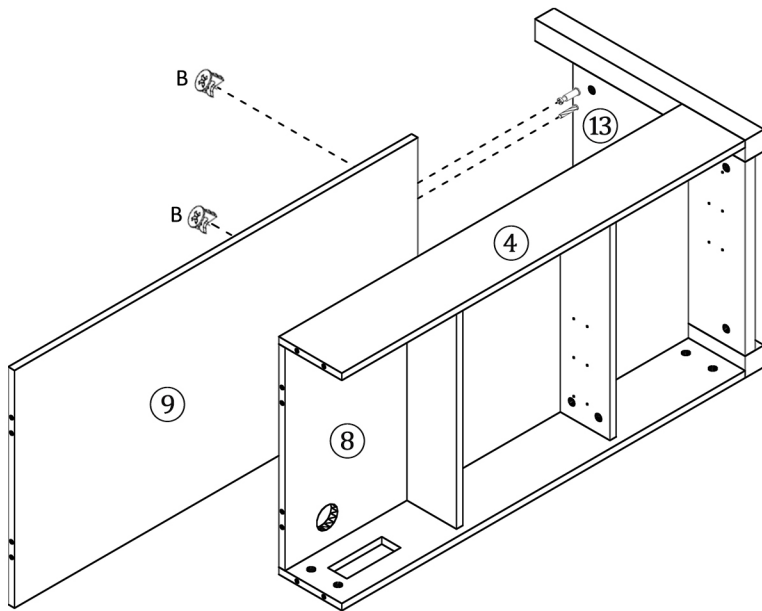
B*4

STEP 10



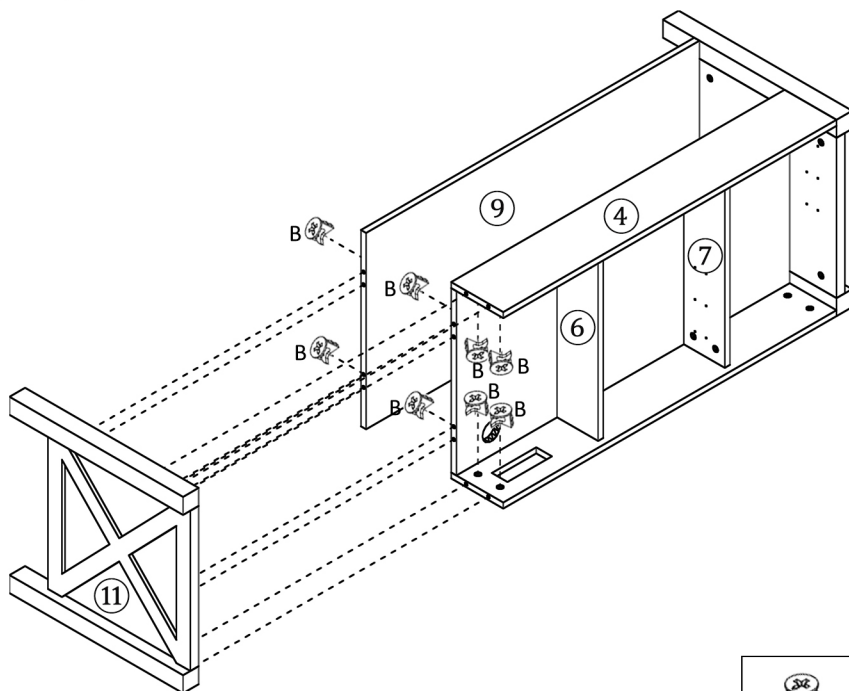
B*6

STEP 11



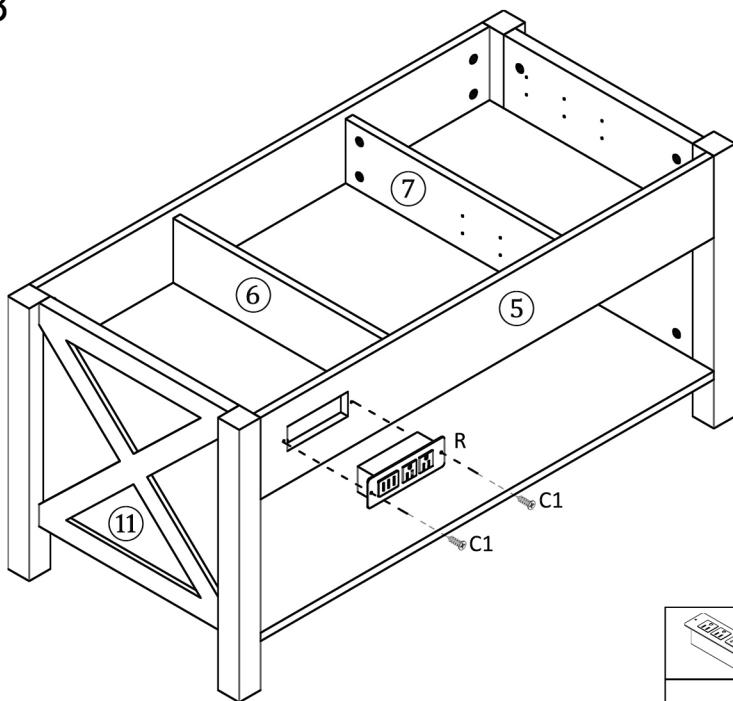
B*2


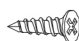
STEP 12



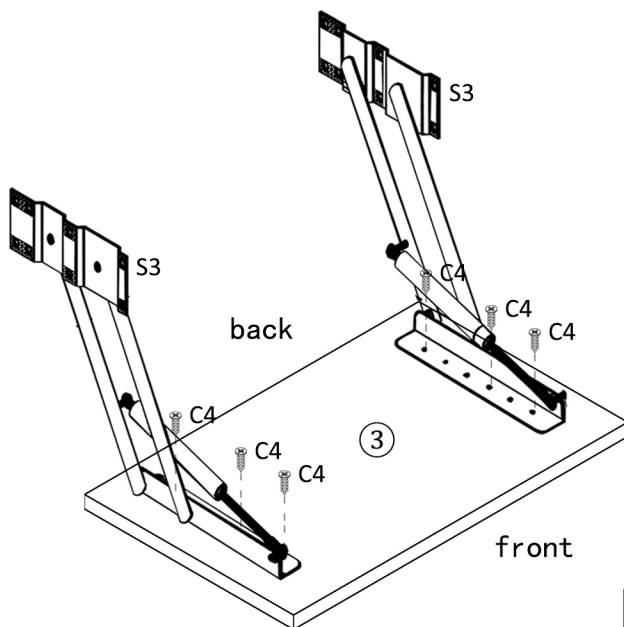
B*8

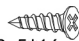
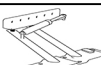
STEP 13



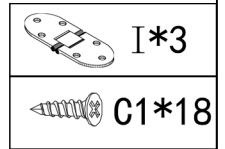
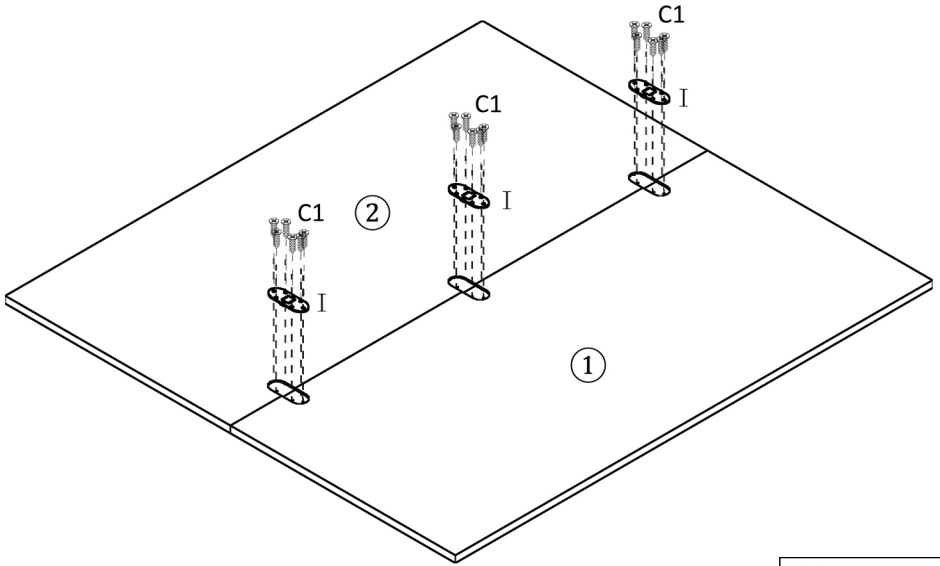
	R*1
	C1*2

STEP 14

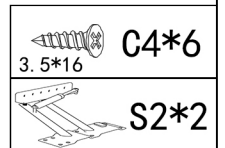
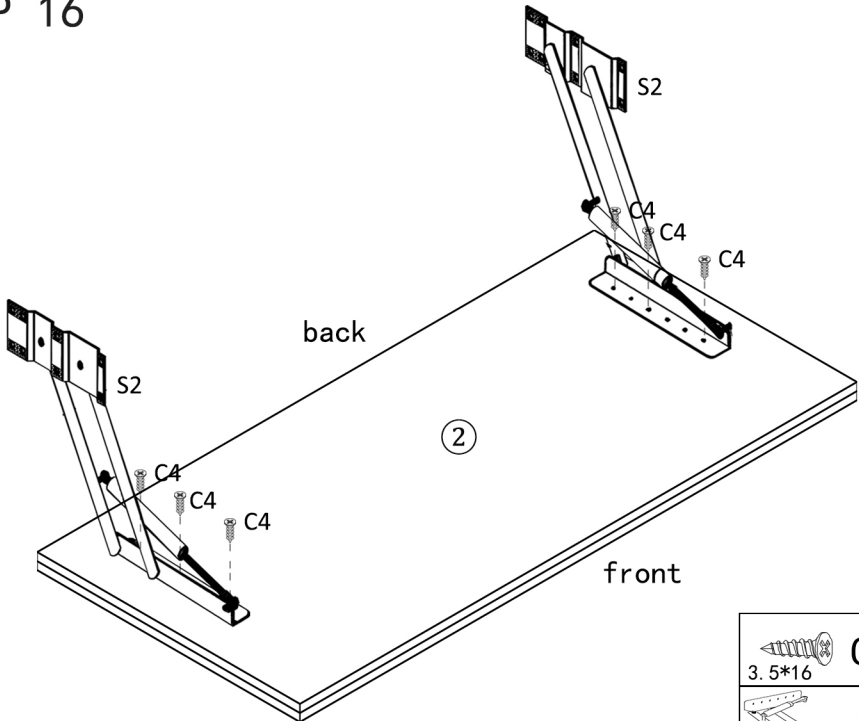


 3.5*16	C4*6
	S3*2

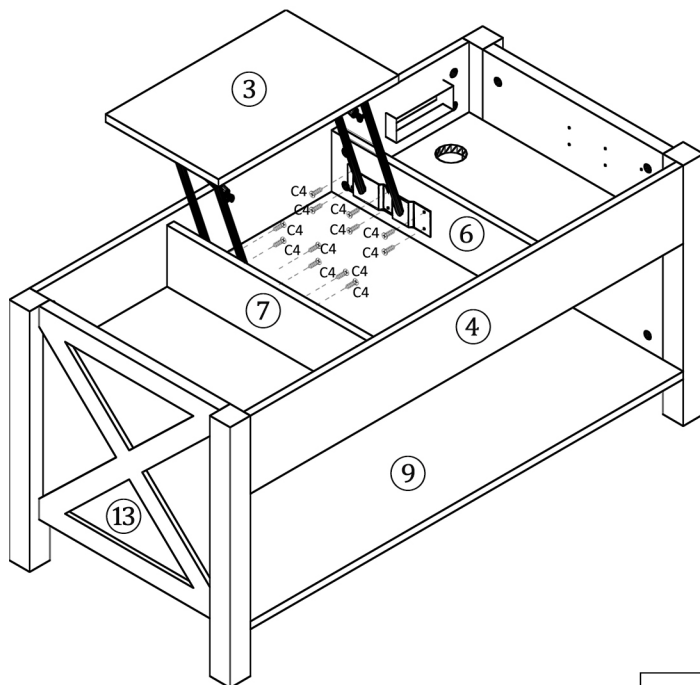
STEP 15



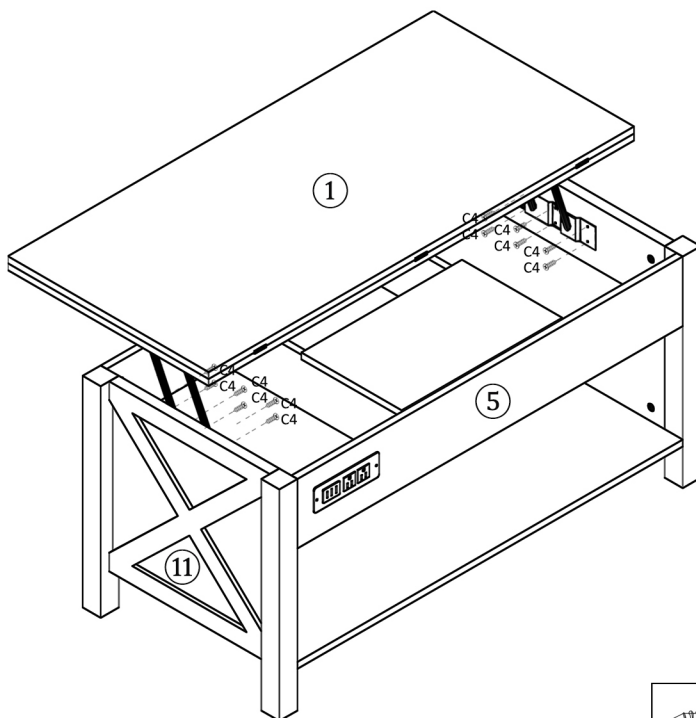
STEP 16



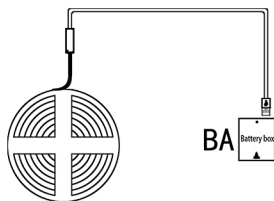
STEP 17



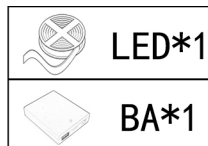
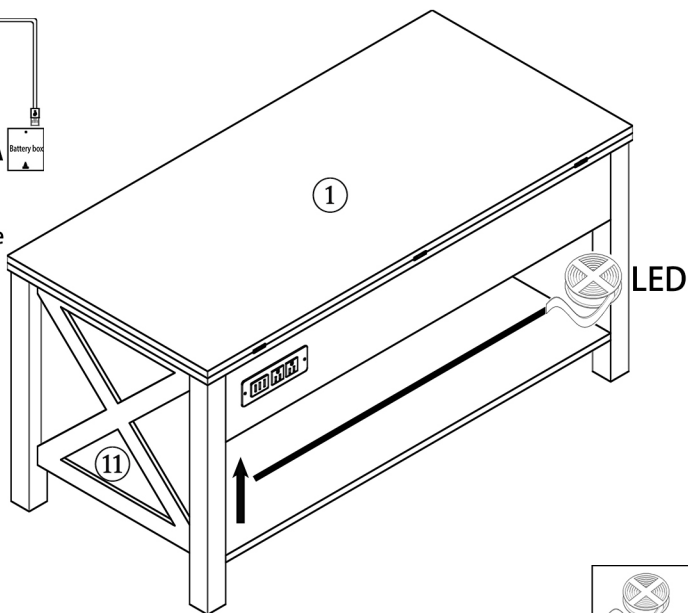
STEP 18



STEP 19

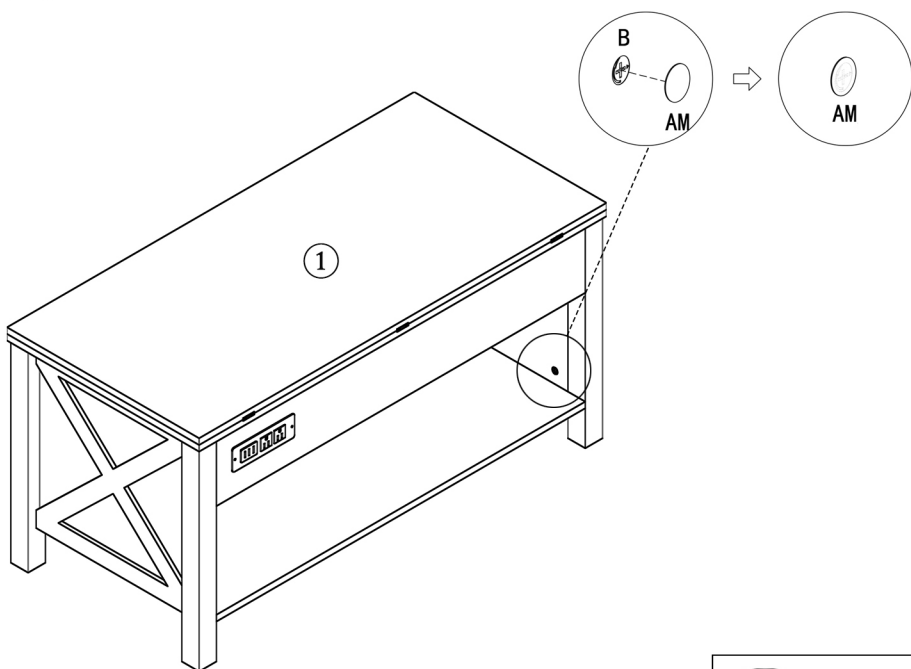


Requires batteries to be installed for use



Please attach the LED strip to the back of board No. 8

STEP 20

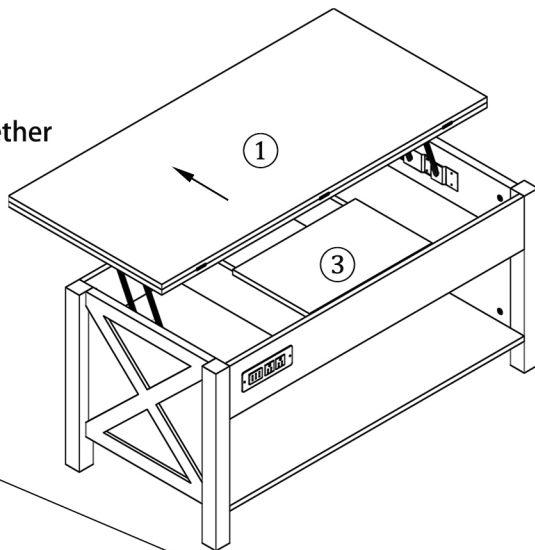


Please stick the decorative paper on the hole

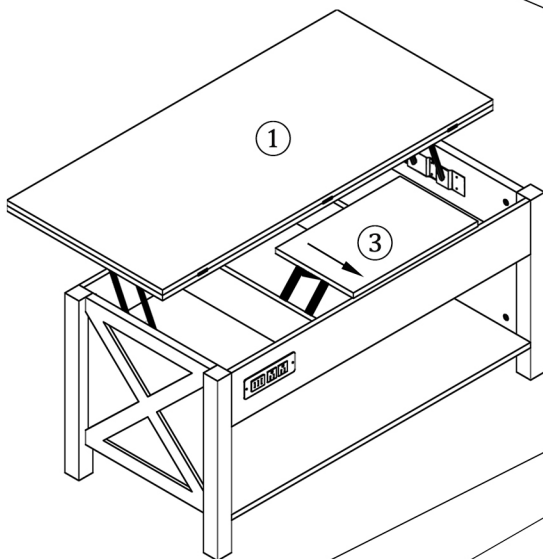


STEP 21

1. Pull board 1 and board 2 together



2. Open boards 3



3. Open boards 1

