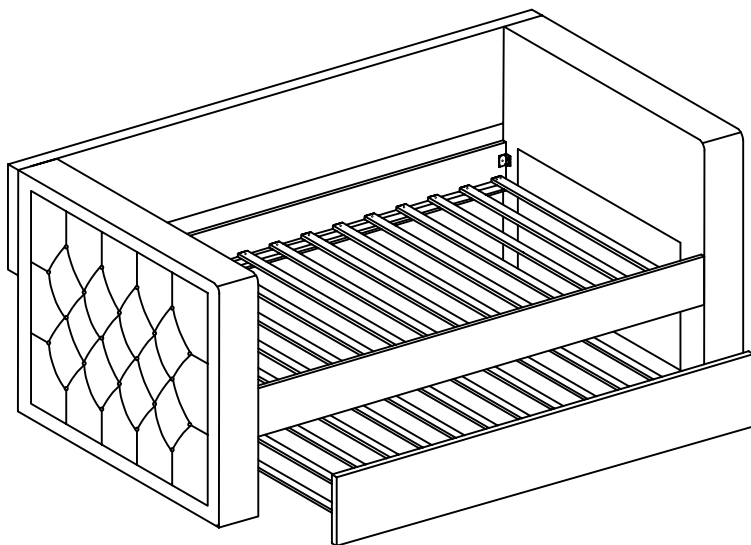


# ASSEMBLY INSTRUCTIONS

---

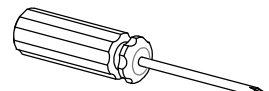


## TOOLS REQUIRED



Allen Wrench

(Included)



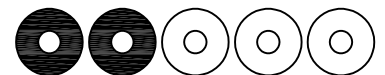
Phillips Screwdriver

(Not Included)



2 – Persons  
Recommended

## ASSEMBLY RATING



EASY → DIFFICULT

The Assembly Rating is a 5-point system showing the level of effort needed to assemble a specific product.



## CHECK BEFORE STARTING



### Are you missing anything?

Double-check all parts, hardware and accessories listed on Page 6 are accounted for.



### Check out our Quick Tips!

We recommend reviewing the pre-assembly handouts. Even experts need a refresher now and then!



### Should we send any replacements?

Are there any irregularities or flaws in the parts? We can send replacements!



### Prep Time!

Please review the assembly instructions and all diagrams prior to assembling. Set up your workspace by laying the parts and hardware out separately, then begin!

# PRE ASSEMBLY INTRODUCTION

We understand building ready-to-assemble furniture can be a challenging experience for some. To help avoid confusion, we have provided some helpful tips that may speed up the process.



## Teamwork

ALWAYS have at least two people to help with transporting and assembling the product to avoid potential injury and/or damage.



## Suitable Location

Assembling near the area of the intended location is highly recommended.



## Sufficient Space

Make sure you have enough space to move around during the assembly.



## Avoid Scratches

Use cardboard, blankets or a carpeted area while assembling furniture to prevent scratches.



## Flat Surface

Make sure the furniture rests on a flat and level surface with each leg evenly touching the floor.

# ASSEMBLY AND CARE ADVICE



**FAILURE TO FOLLOW THE GUIDELINES BELOW MAY RESULT IN INJURY AND/OR PROPERTY DAMAGE.**



Position each part correctly and insert screws or bolts into their respective holes.



Turn clockwise to tighten and only tighten when step is completed or when instructed to do so.



Use the appropriate hand tools or power tools for assembly. Select steps, such as tightening screws and/or bolts, may require hand tools to avoid causing damage during assembly.



Save the instructions and store any supplied tools for later maintenance.



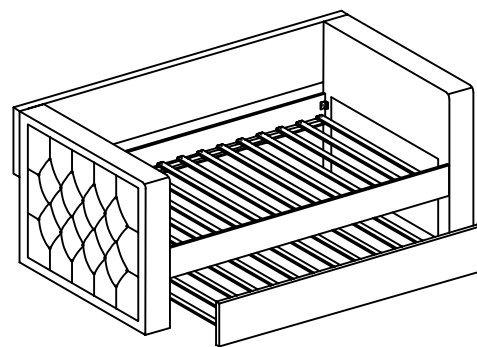
After two weeks, check and tighten any loose hardware and repeat again every six months thereafter.

**IT IS THE USER'S RESPONSIBILITY TO MAINTAIN THE FURNITURE. THE HARDWARE MAY LOOSEN OVER TIME AND MAY CAUSE THE FURNITURE TO BE WOBBLY AND UNABLE TO SUPPORT ITS INTENDED WEIGHT CAPACITY. THIS MAY LEAD TO COLLAPSE AND MAY CAUSE SERIOUS INJURY.**

# DAYBED

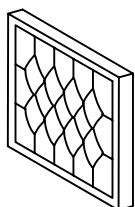


- Please keep instructions for future reference.
- Check the quantity and irregularity of parts and hardware before you start.



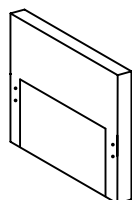
## PARTS

① 1pc



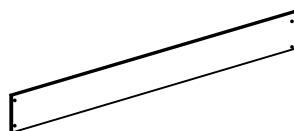
Right Arm

② 1pc



Left Arm

③ 1pc



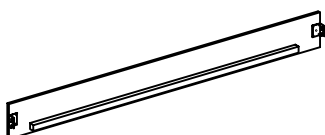
Back Panel

④ 1pc



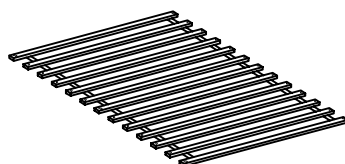
Front Side Rail

⑤ 1pc



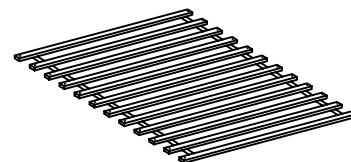
Back Side Rail

⑥ 13pcs



Top Slat  
997 x 45 x 18mm

⑦ 12pcs



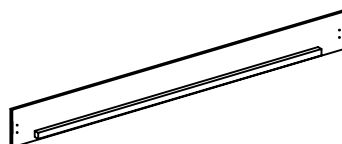
Bottom Slat  
997 x 45 x 18mm

⑧ 1pc



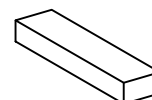
Trundle Front  
Panel

⑨ 1pc



Trundle Back  
Panel

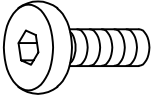
⑩ 4pcs



Wooden Block

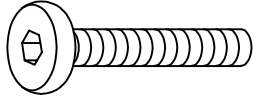
## HARDWARE

A 8pcs



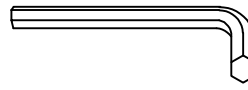
JCBB M8x30mm

B 4pcs



JCBC M6x50mm

C 1pc



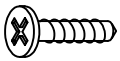
Allen Wrench  
M4 x 65mm

D 1pc



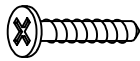
Allen Wrench  
M5 x 70mm

E 40pcs



CSK Screw 16mm

F 56pcs



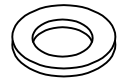
CSK Screw 32mm

G 4pcs



M6 Spring Washer

H 4pcs



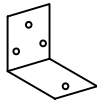
M6 Flat Washer

I 6pcs



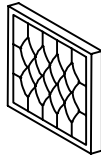
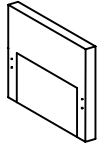
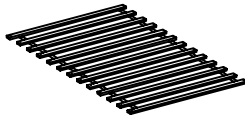
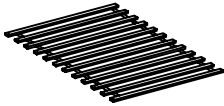
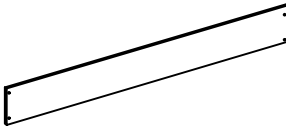
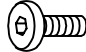
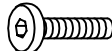
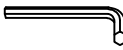
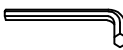





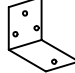

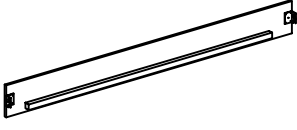

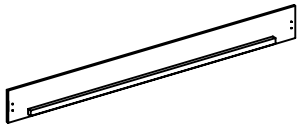
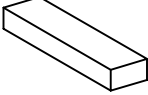
Roller

J 4pcs



L-bracket

# packed in 2 cases

Carton	Designation	Part	Hardware
1	Right Arm	1 	
	Left Arm	2 	
	Top Slat	6 	
	Bottom Slat	7 	
2	Back Panel	3 	 A x 8pcs  B x 4pcs  C x 1pc  D x 1pc  E x 40pcs  F x 56pcs  G x 4pcs  H x 4pcs  I x 6pcs  J x 4pcs
	Front Side Rail	4 	
	Back Side Rail	5 	
	Trundle Front Panel	8 	
	Trundle Back Panel	9 	
	Wooden Block	10 	



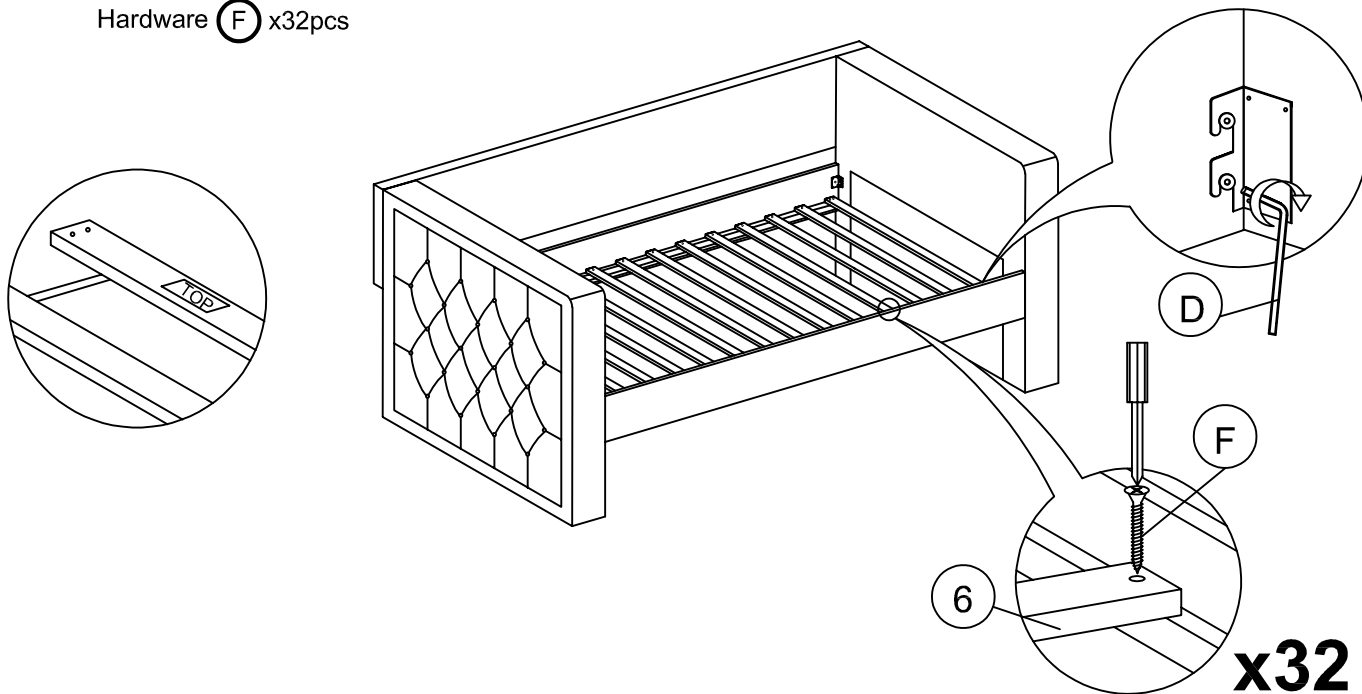
# ASSEMBLY INSTRUCTIONS

## 3

Part (6) x13pcs

Hardware (D) x1pc

Hardware (F) x32pcs

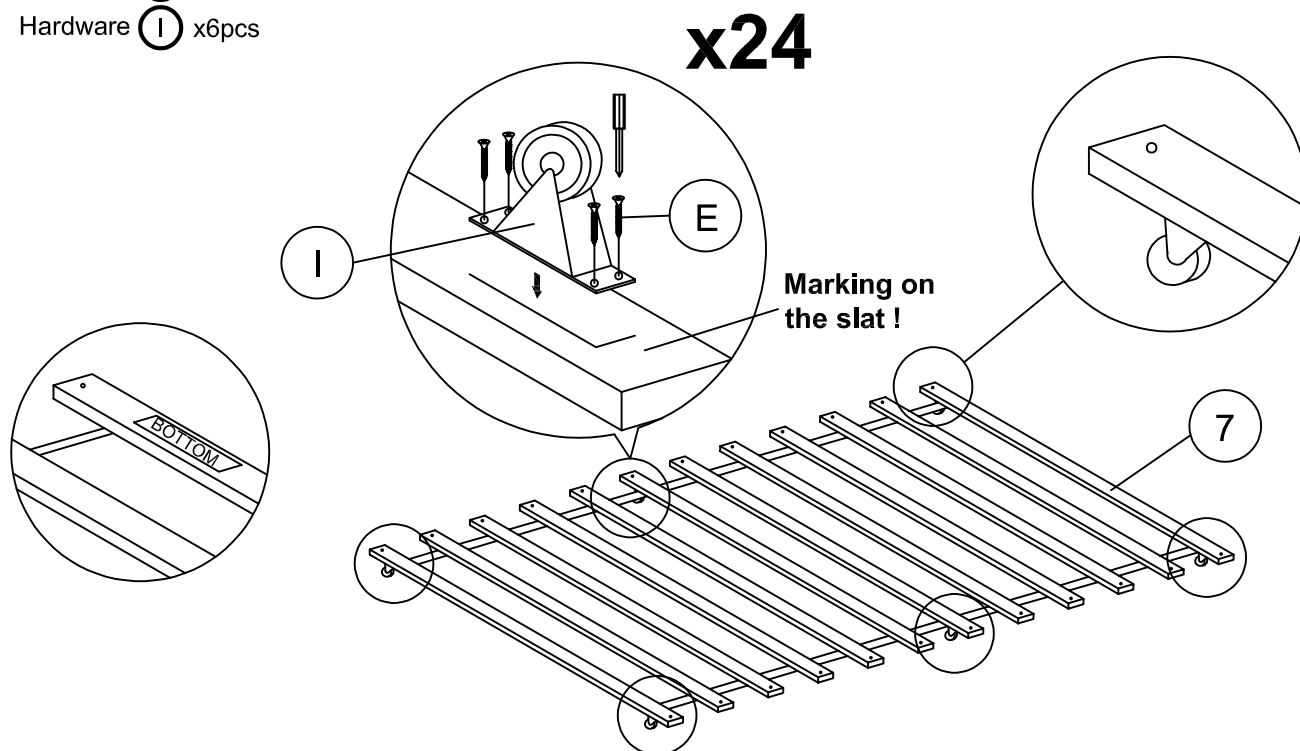


## 4

Part (7) x12pcs

Hardware (E) x24pcs

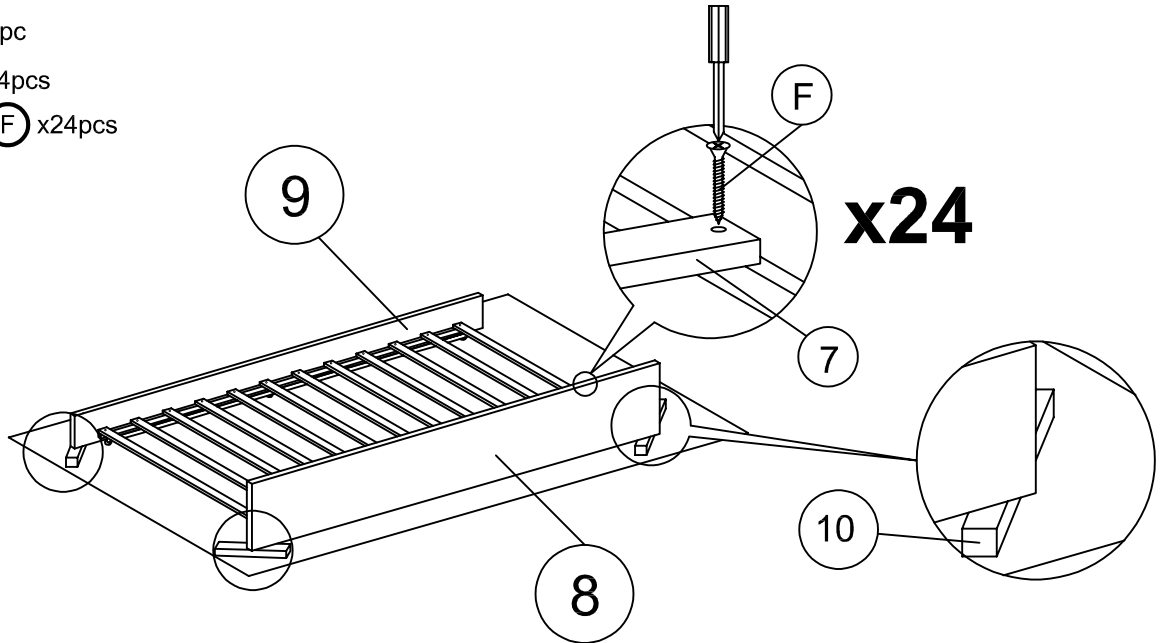
Hardware (I) x6pcs



# ASSEMBLY INSTRUCTIONS

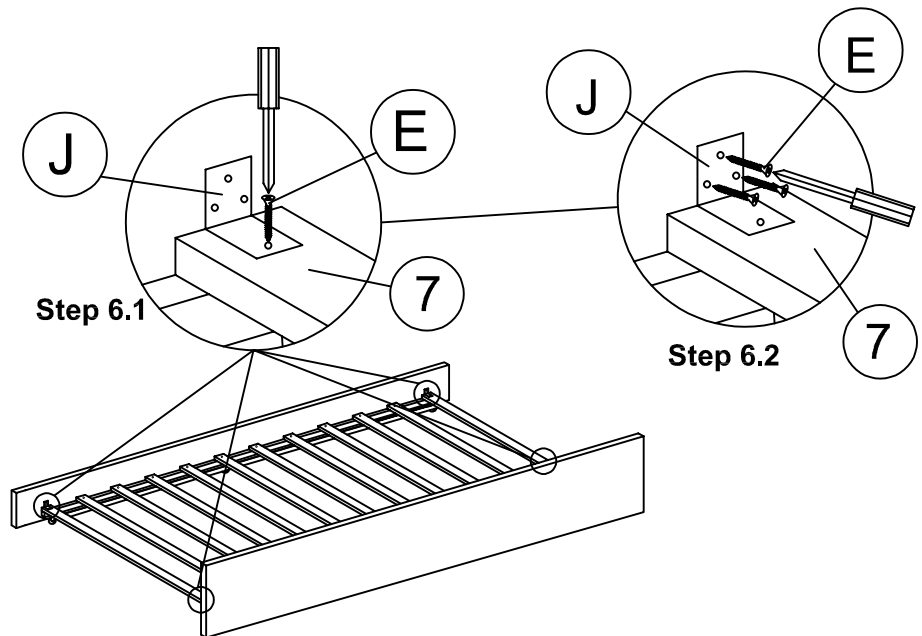
## 5

- Part ⑦ x12pcs
- Part ⑧ x1pc
- Part ⑨ x1pc
- Part ⑩ x4pcs
- Hardware ⑥ x24pcs



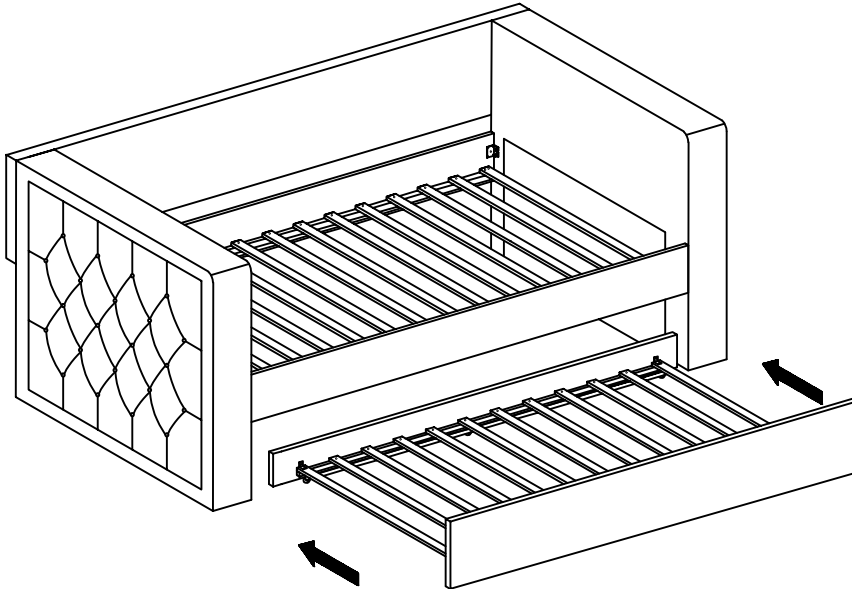
## 6

- Part ⑦ x12pcs
- Hardware ⑤ x16pcs
- Hardware ④ x4pcs



# ASSEMBLY INSTRUCTIONS

7



## ASSEMBLY COMPLETED



Please ensure the furniture rests on an even and flat surface. If the product wobbles or feels loose, double-check all bolts and/or screws are properly tightened and secured.



### Keep this handy!

Please retain this instruction manual and any order-related information for future reference.



### Lift, don't drag!

To avoid damage to product please always LIFT the product when transporting or adjusting the placement.

This product is intended for RESIDENTIAL USE ONLY and not for commercial use.