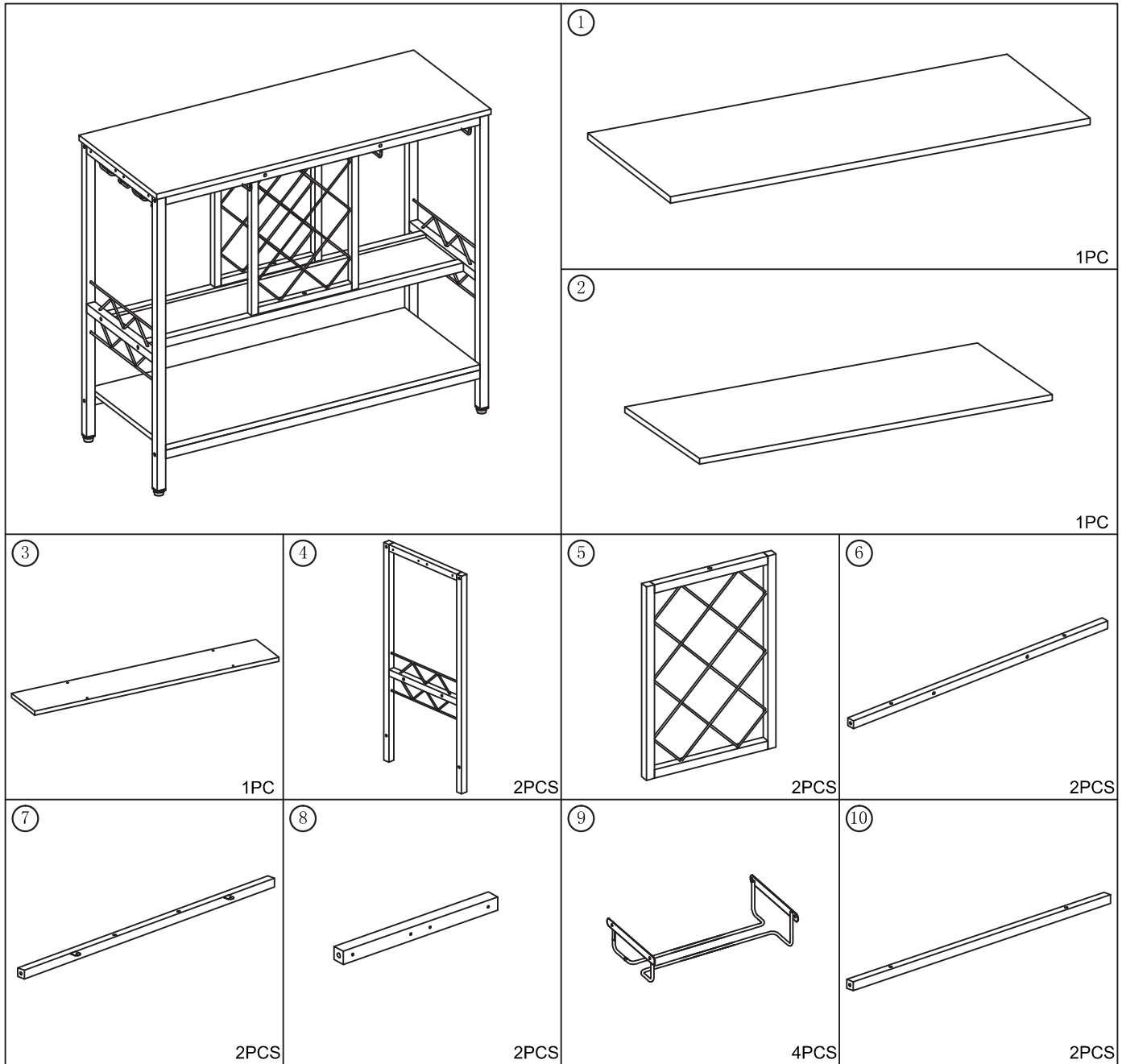


ASSEMBLY INSTRUCTION

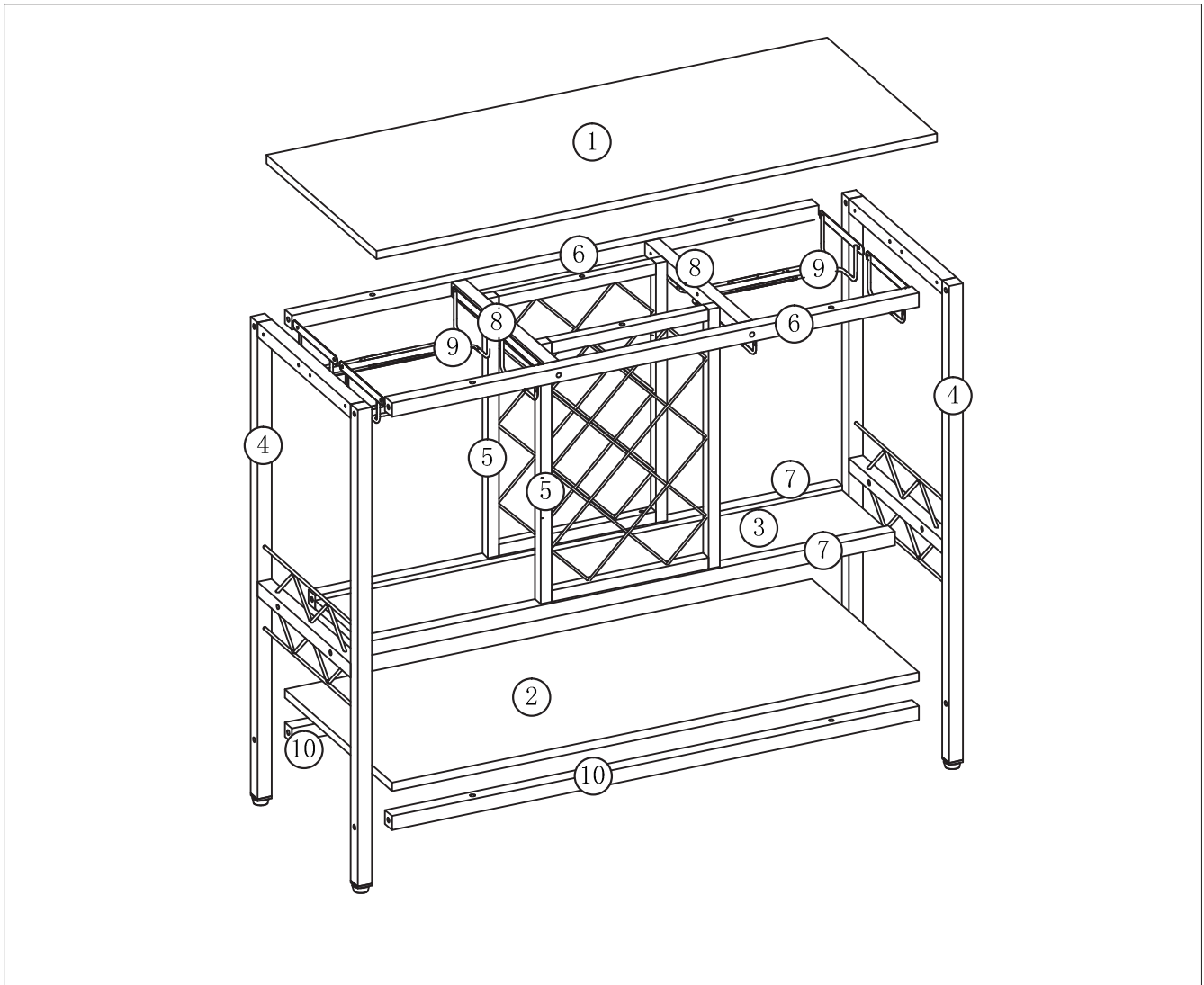
Notes: Don't tighten screws completely at first, just in case parts were assembled wrong or need disassembled. Tighten screws at last when all parts are put together.



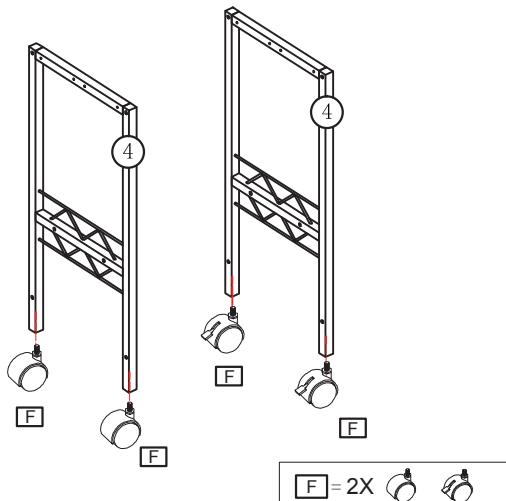
No.	PICTURE		SIZE	QTY	No.	PICTURE		SIZE	QTY	
A			M6*12	20	F		X1		X1	2
B			M6*35	10						
C			M6*45	20						
D				1						
E				1						

ASSEMBLY INSTRUCTION

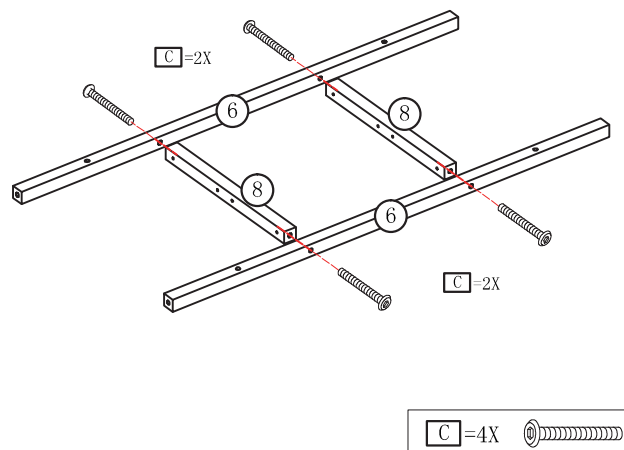
Dear customers, you can choose to install with adjustable feet or wheels according to your habits. This installation instructions are based on adjustable feet.



STEP 1 : Put 4 tables legs to the corresponding corners.



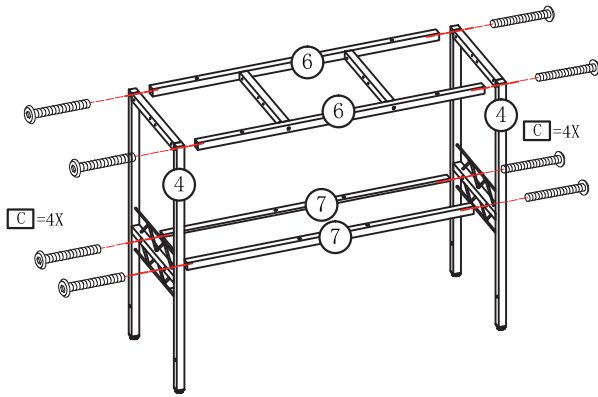
STEP 2 : Put No.C screws to the holes on No.8 and No.6 tubes.



ASSEMBLY

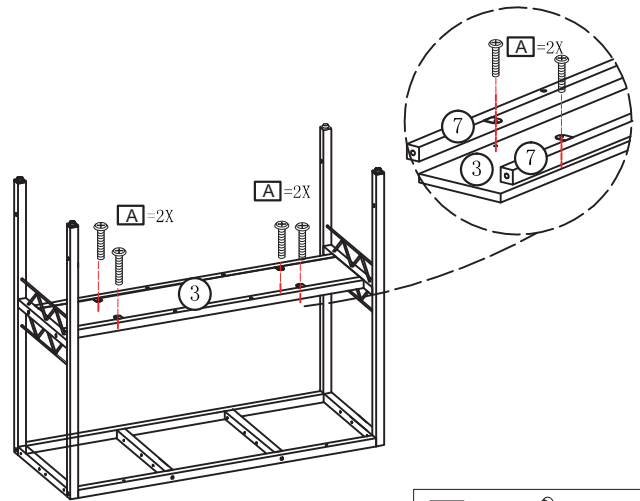
INSTRUCTION

STEP 3 : Assblem No.6 and No.7 tubes on No.4 tubes at two sides with No.C screws.



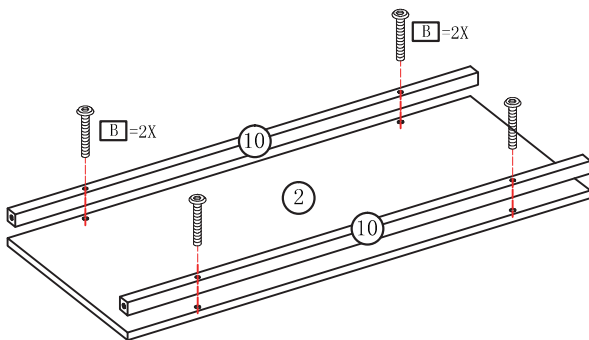
C = 8X 

STEP 4 : Put No.A screws to the holes on No.7 tubes and No.3 board.



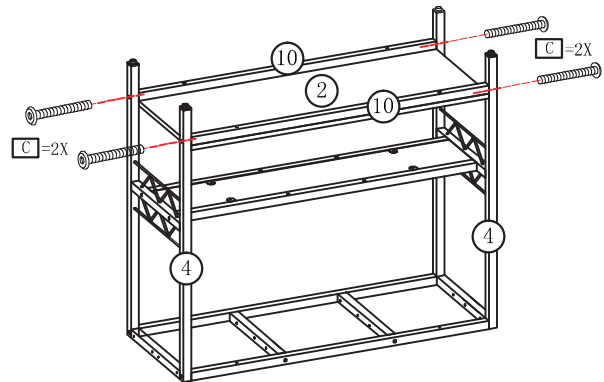
A = 4X 

STEP5: Put No.B screws to the holes on No.10 tubes and No.2 board.



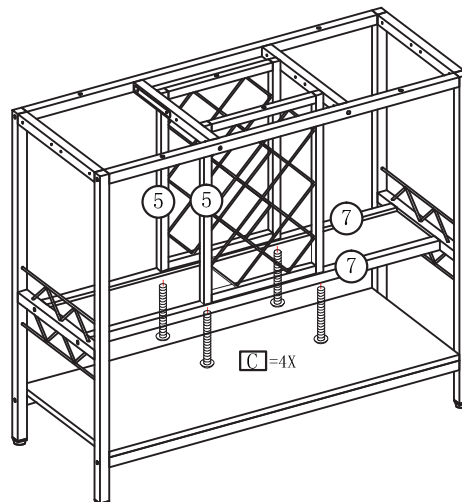
B = 4X 

STEP 6 : Put No.C screws to the holes on No.4 and No.10 tubes.



C = 4X 

STEP 7 : Put No.C screws to the holes on No.7 and 5 boards and the use small spanner to make them tight.

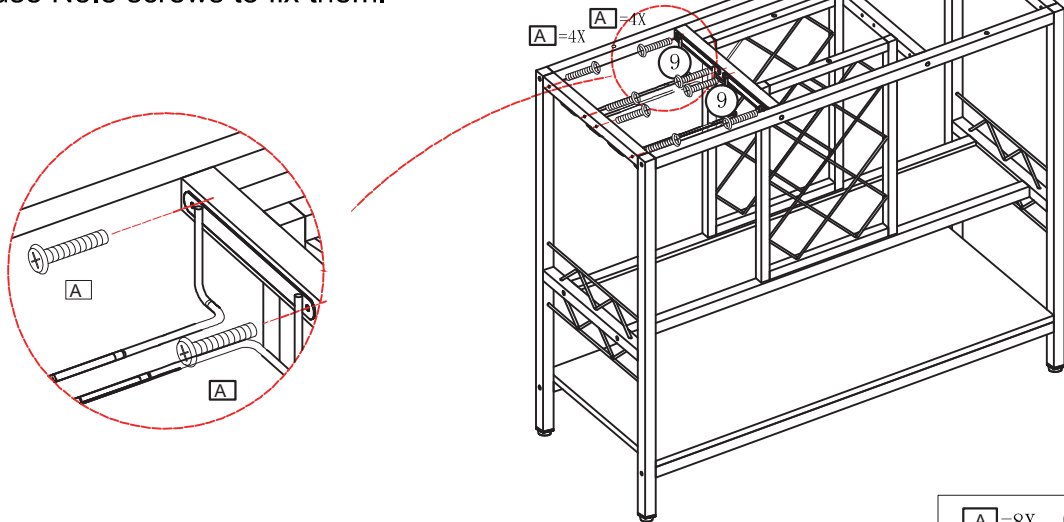


C = 4X 

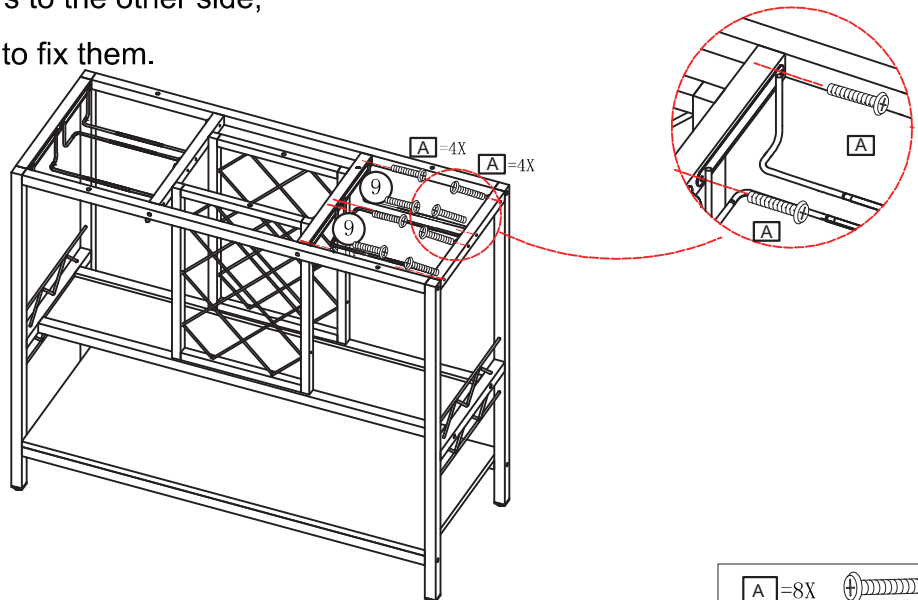
ASSEMBLY

INSTRUCTION

STEP 8 : Put goblet holders to the one side,
use No.8 screws to fix them.



STEP 9 : Put goblet holders to the other side,
use No.8 screws to fix them.



STEP 10 : (1) Put No.1 board on the top of whole wine rack,
(2) Use No.B screws on the bottom of No.1 board;
(3) Use No.B screws on the two sides of No.5 tubes.

