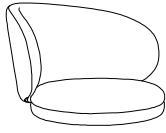
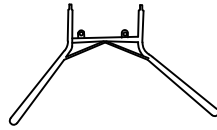


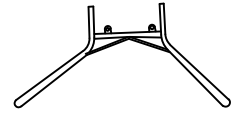
A



B1



B2



C

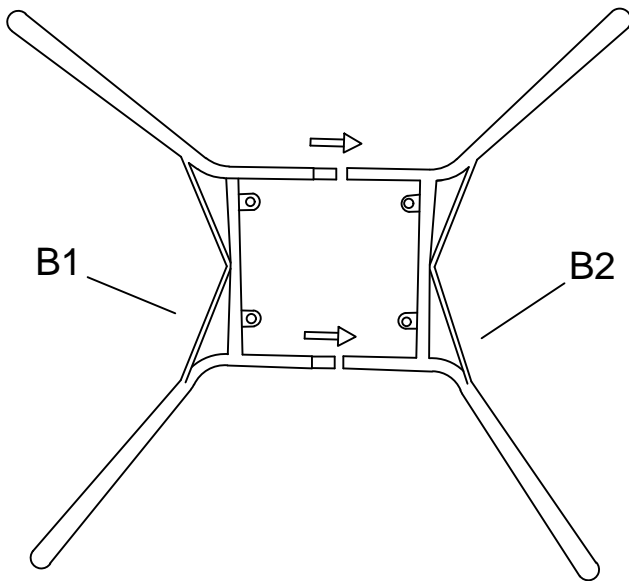


M6*20MM

D

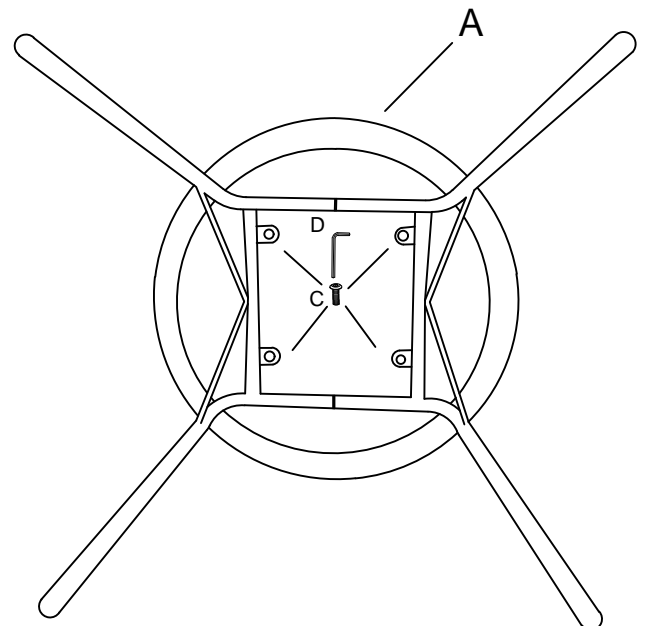


1



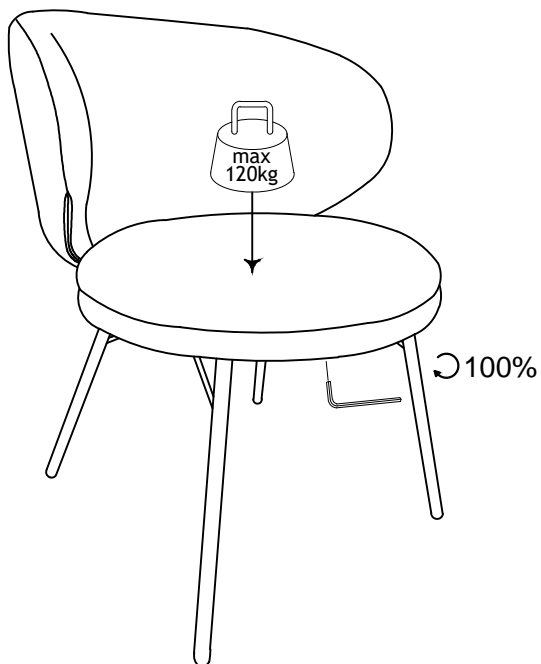
Step1

2



Step2: Lock the screw 80% at first.

3



Step3: 120KG or adult seat in chair, make sure the chair is balance then tighten all the screws.

4

