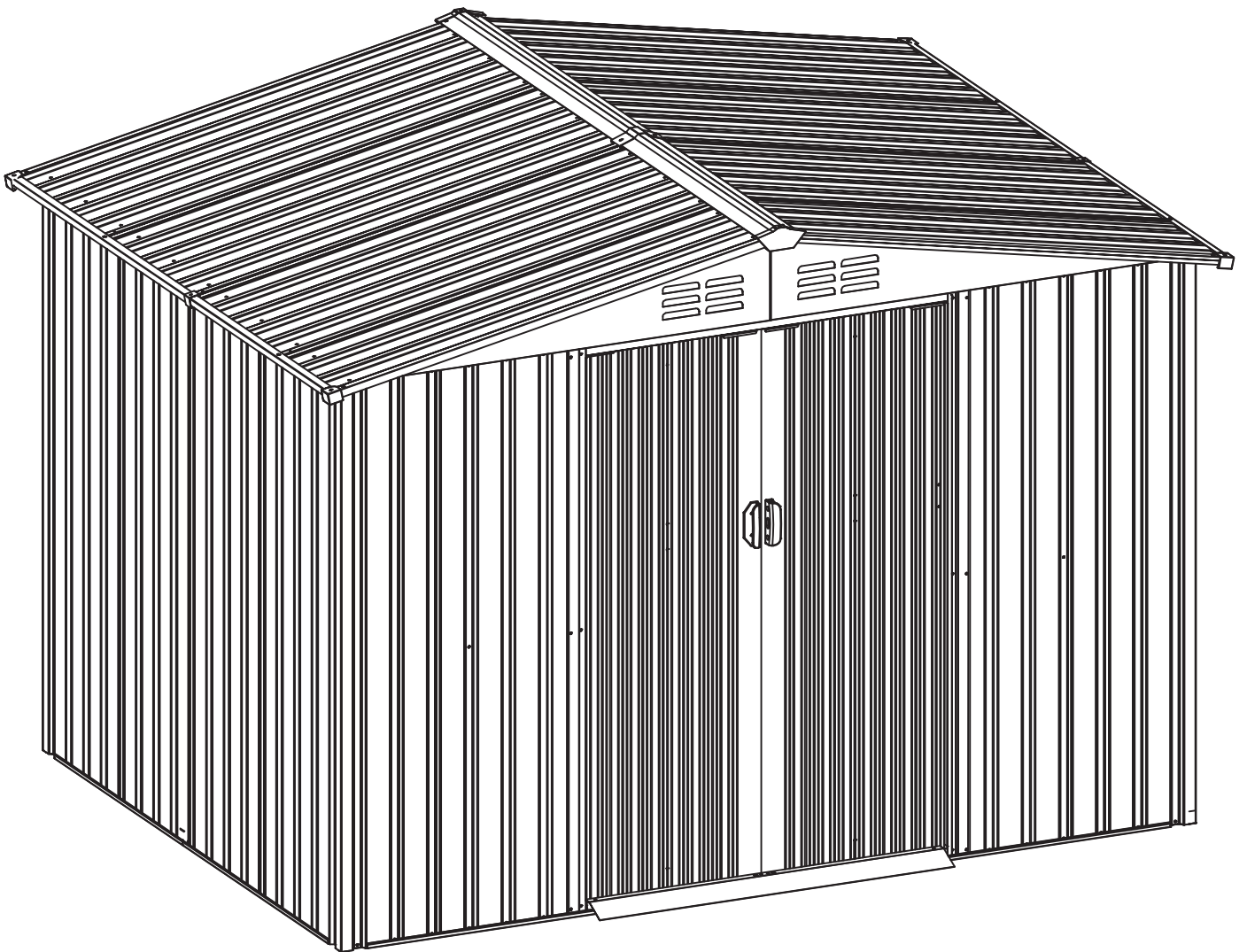


# STORAGE SHED INSTALLATION

---

If you have any questions about the storage shed, please feel free to contact us.

Customer Service Email: [Service@alaulm.com](mailto:Service@alaulm.com)



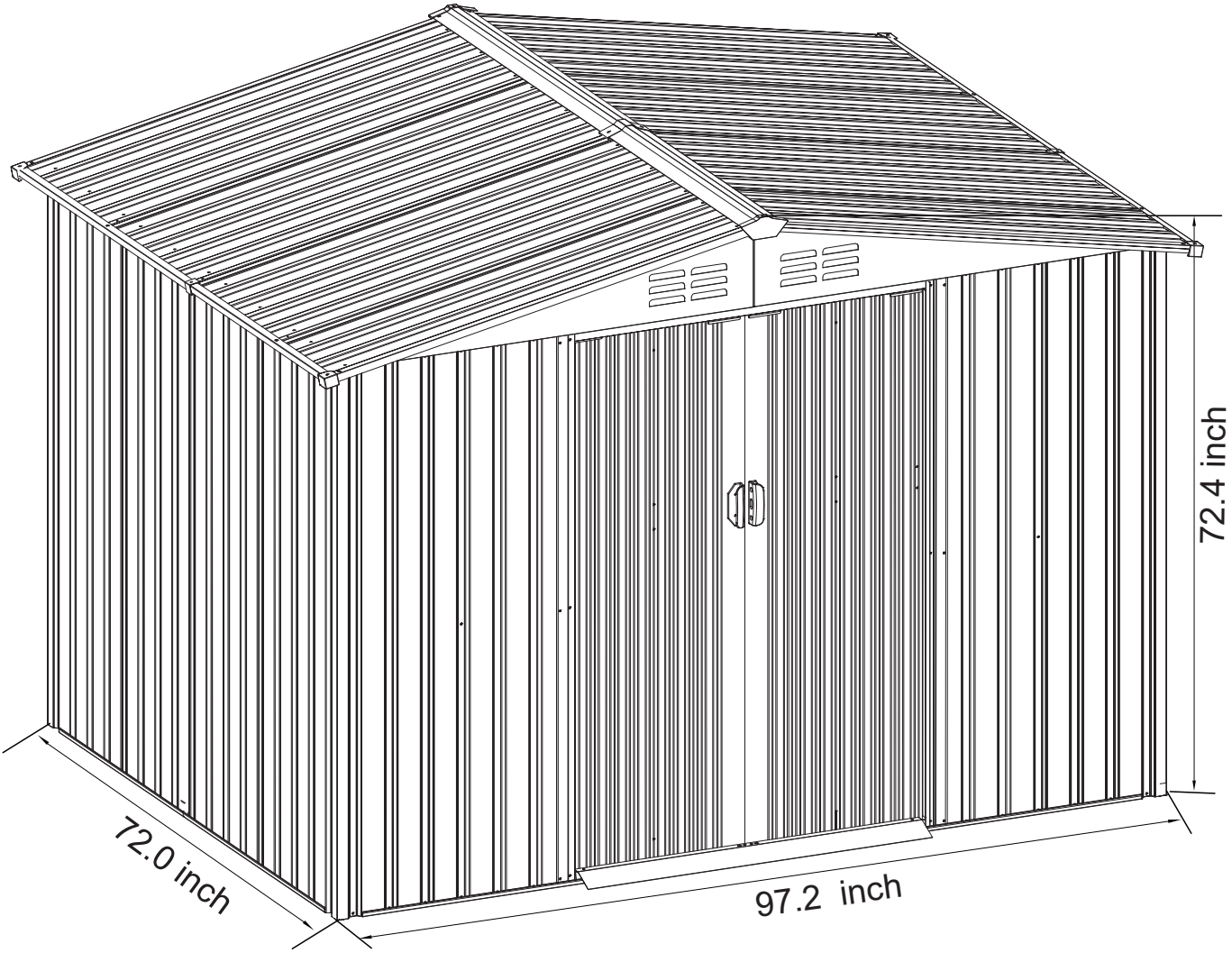
## G017-25-P032

### IMPORTANT

PLEASE READ BEFORE YOU COMMENCE ASSEMBLY

Follow the guidelines in this user guide to ensure correct  
assembly and care for this product.

# SPECIFICATIONS








## Catalog

Specifications.....	01
Catalog.....	02
Warning .....	03
Installation Notes.....	04
Exploded Views.....	05
Part List .....	06
Extra .....	08
How to Assemble Storage Shed .....	09

# NOTICE

**Note:**Please prepare below tools before installation.

The following tools are not included and needed for assembly:		
		
Pistol Drill	Tape Measure	Ladder
Package included Tools		
		
Screw Driver	Gloves x2 pair	

## Warning

We recommend two adults to complete the installation. Two adults installed together will make the installation process easier and safer.

The gloves must be carried to prevent hand cuts during installation.

Take care when using power tools near water the use of a residual current device (RCD) is advised.

Please use the electric driver carefully during screwing to prevent the screw from slipping and hurting your hand.(We recommend that beginners use a manual screwdriver for installation.)

Be careful not to fall when installing the roof. Please steady the ladder and make sure the product placed on a flat ground.

**PLEASE KEEP THIS INSTRUCTION FOR FUTURE REFERENCE.**

## **Installation Notes**

Please check the quantity of all parts before installation (Please refer to the Parts Lists) and the appearance of the products. Please make sure the product is correct before installation. If there is any problem, please contact us directly.

Make sure the colored panels are facing outwards and all the holes match. The panels are textured, please install the panels in the order specified in the instructions. All lines and holes must be accurately matched to make the storage shed more stable. Please ensure that all screws are tightened to prevent the product from falling apart.

There is a protective film on the surface to protect the product, please tear it off after installation to get the final presentation. If you do not damage the film during installation, it can also remain on the product to protect the product.

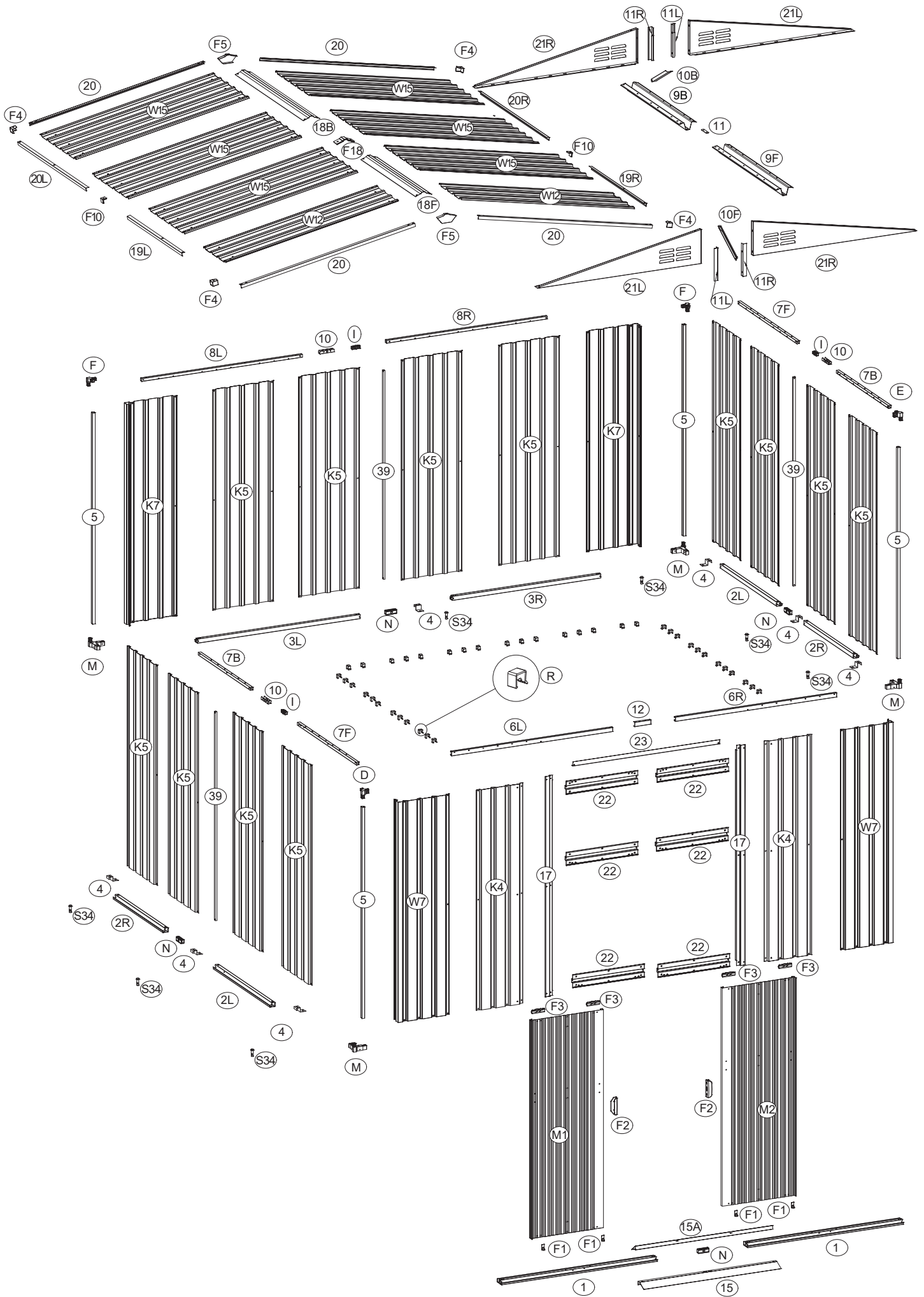
Please place the product on a flat ground to prevent leaning and collapse. If the ground is uneven, the door may can't be closed.

### **Attention:**






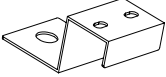



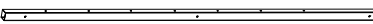




Please read this instruction carefully before installation and follow it strictly during installation.


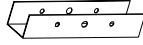




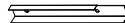

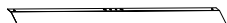





Ensure that there are no problems later due to installation errors.

# EXPLODED VIEWS

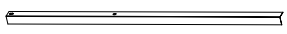

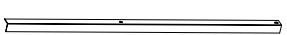

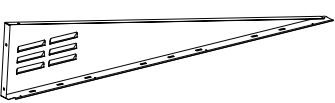

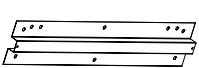
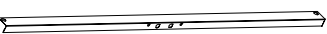

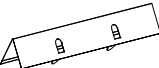

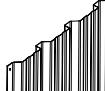
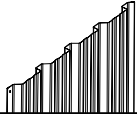
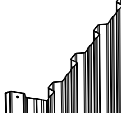


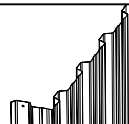
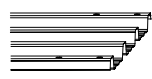
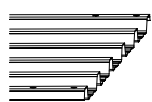
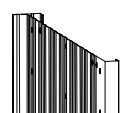
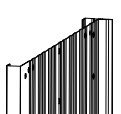
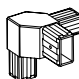
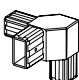
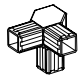
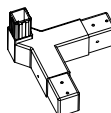


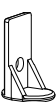

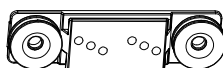
# PART LIST

NO	PART	QTY
1	 1154.5mm	2
2L	 994mm	2
2R	 673mm	2
3L	 994mm	1
3R	 1315mm	1
4		7
5	 1495mm	4
6L	 1196.2mm	1
6R	 1196.2mm	1
7F	 925.2mm	2
7B	 818.2mm	2
8L	 1192.7mm	1
8R	 1192.7mm	1
9F	 998.5mm	1


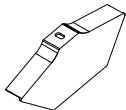

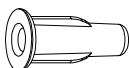

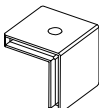
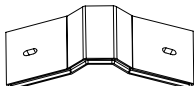

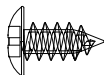
NO	PART	QTY
9B	 918.5mm	1
10	 100mm	3
10F	 353mm	1
10B	 353mm	1
11		1
11L	 230mm	2
11R	 230mm	2
12	 120mm	1
15	 1020mm	1
15A	 1020mm	1
17	 1560mm	2
18F	 858mm	1
18B	 1072mm	1
19L	 858mm	1

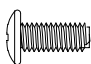

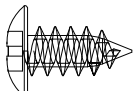

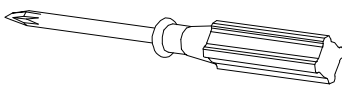
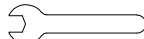
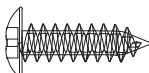

# PART LIST

NO	PART	QTY
19R	 858mm	1
20L	 1072mm	1
20R	 1072mm	1
20	 1316mm	4
21L		2
21R		2
22	 532mm	6
23	 1090mm	1
39	 1545.5mm	3
41	 360mm	1
42	 500mm	1
K4	 1560mm	2
K5	 1560mm	12
W7	 1560mm	2






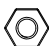

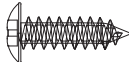
NO	PART	QTY
K7	 1560mm	2
W12	 1308mm	2
W15	 1308mm	6
M1	 1545mm	1
M2	 1545mm	1
D		1
E		1
F		2
M		4
N		4
I		3
F1		4
F2		2
F3		4

# PART LIST




NO	PART	QTY
F4		4
F5		2
F7		184
F8		44
F9		2
F10		2
F18		1
R		40
S4		203

NO	PART	QTY
S6		63
S7		61
S8		16
S9		7
S12		1
S15		1
S33		6
S34	 M6X50mm	7

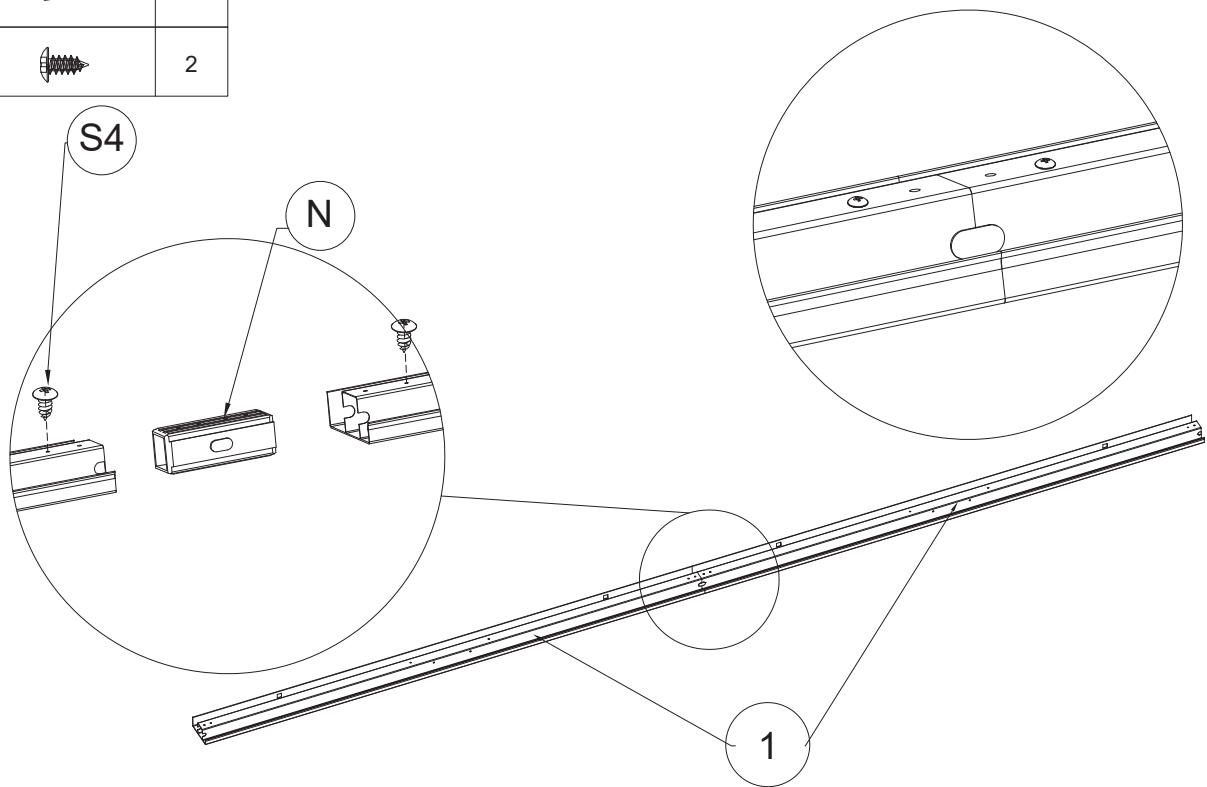
## Extra




NO	PART	Description	Qty
F7		Washer	8
F8		Screw protector	5
R		Plastic Snap	5
S4		Self-tapping Screw M4*10	10
S6		Screw M4*10	5
S7		Hexagonal Nuts M4	5
S8		Self-tapping Screw M5*18	2
S33		Self-tapping Screw M5*20	2

# Installation steps

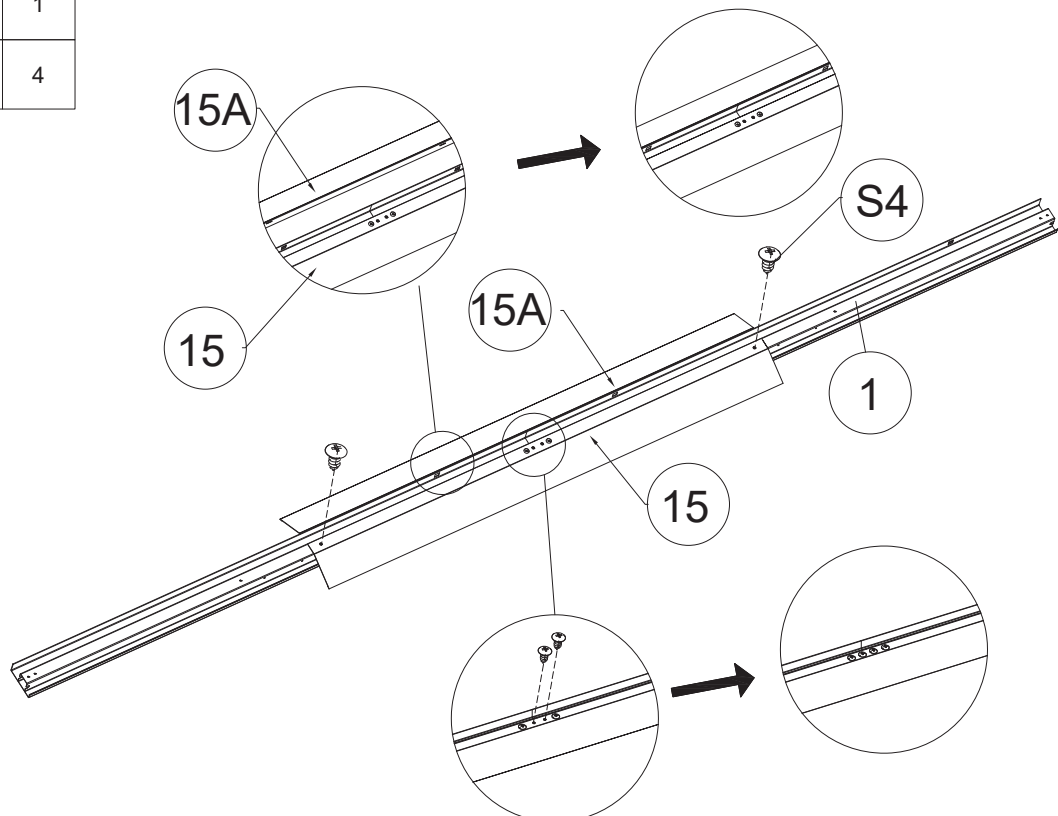
NO	PART	QTY
1	 1154.5mm	2
N		1
S4		2

**STEP 1:** Connect two (1) with (N) and tighten with screws (S4).  
**NOTE:** There are four screws on the inside that don't need to be installed.








NO	PART	QTY
15	 1020mm	1
15A	 1020mm	1
S4		4

**STEP 2:** Attach the slides (15, 15A) to the bottom frame.  
**NOTE:** The two screws on 1 do not need to be removed.

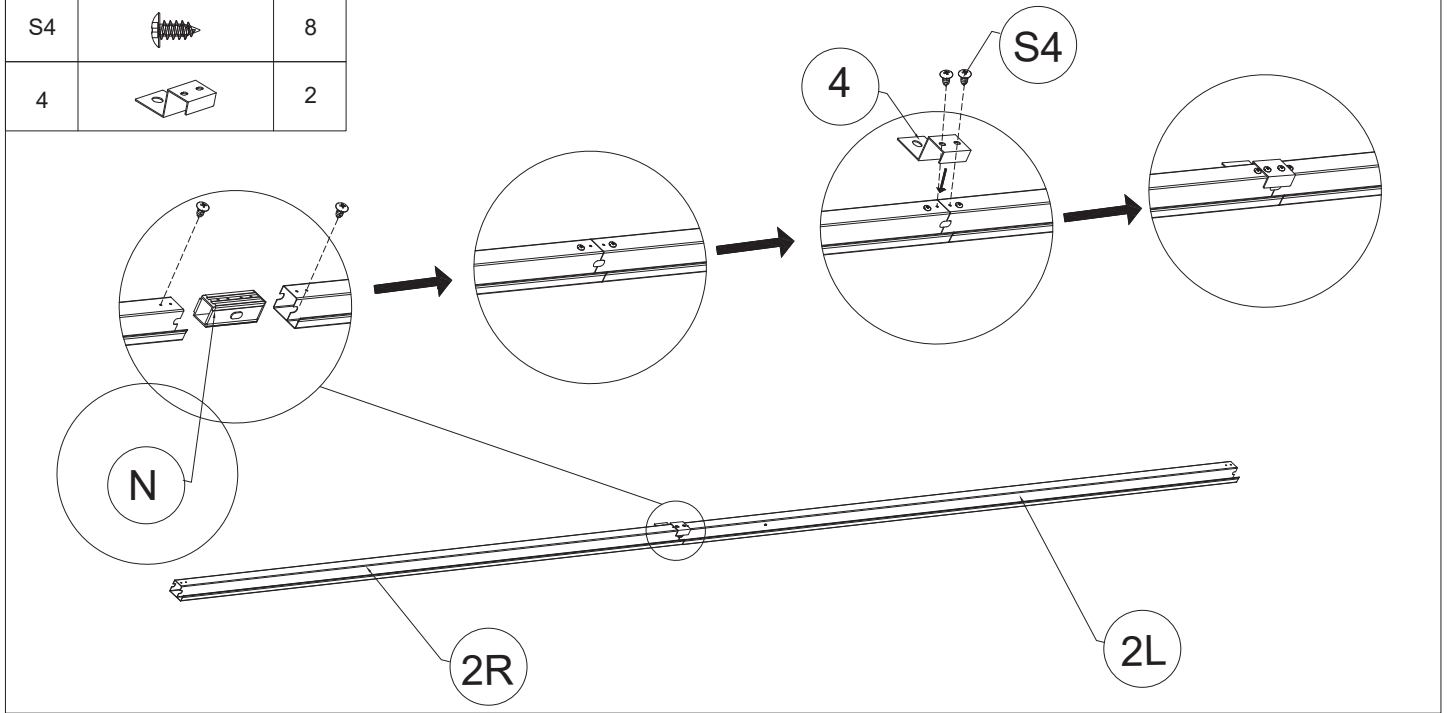







# Installation steps

NO	PART	QTY
2L	 994mm	2
2R	 673mm	2
N		2
S4		8
4		2

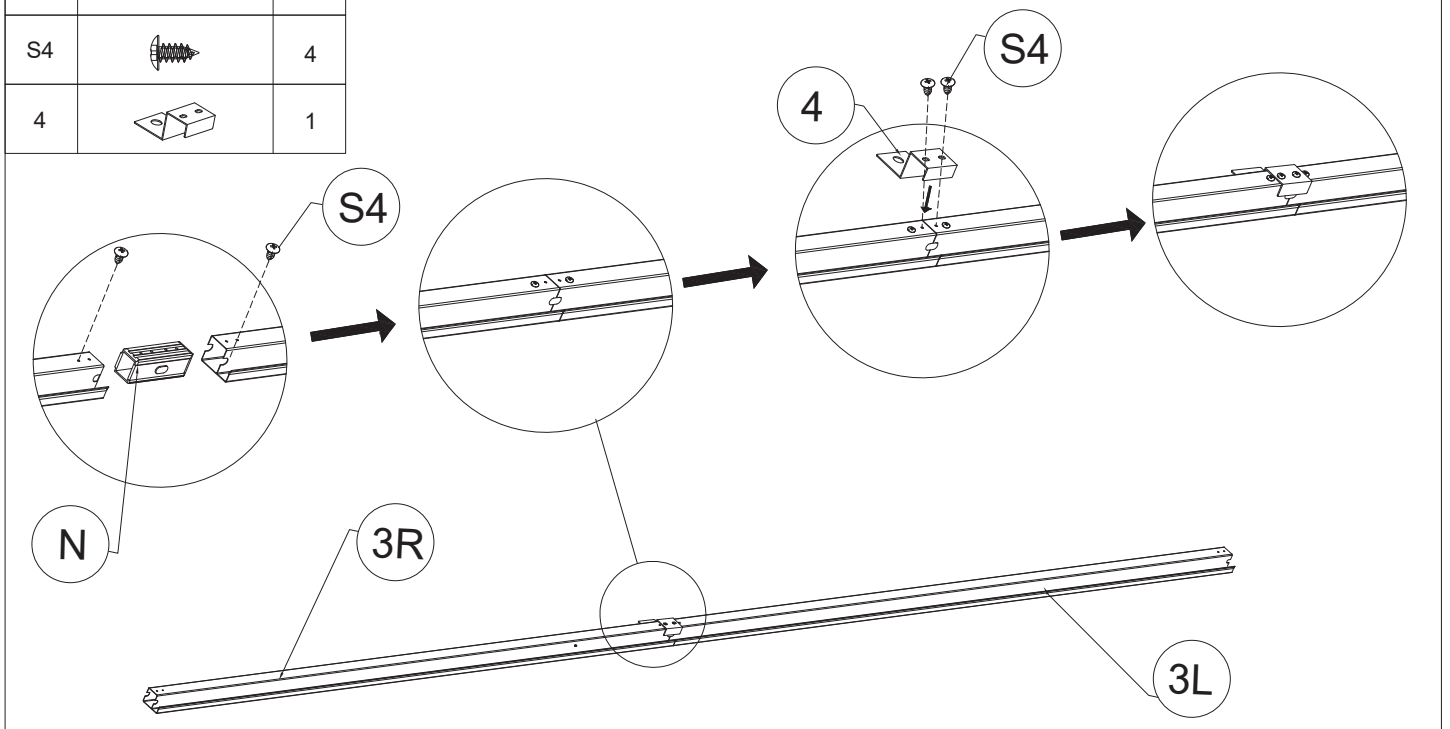
**STEP 3:** Connect beam(2L, 2R) with connector(N) and secure them with screws(S4).Then mount the 4 to it and secure it with screws(S4).

X2






NO	PART	QTY
3L	 994mm	1
3R	 1315mm	1
N		1
S4		4
4		1

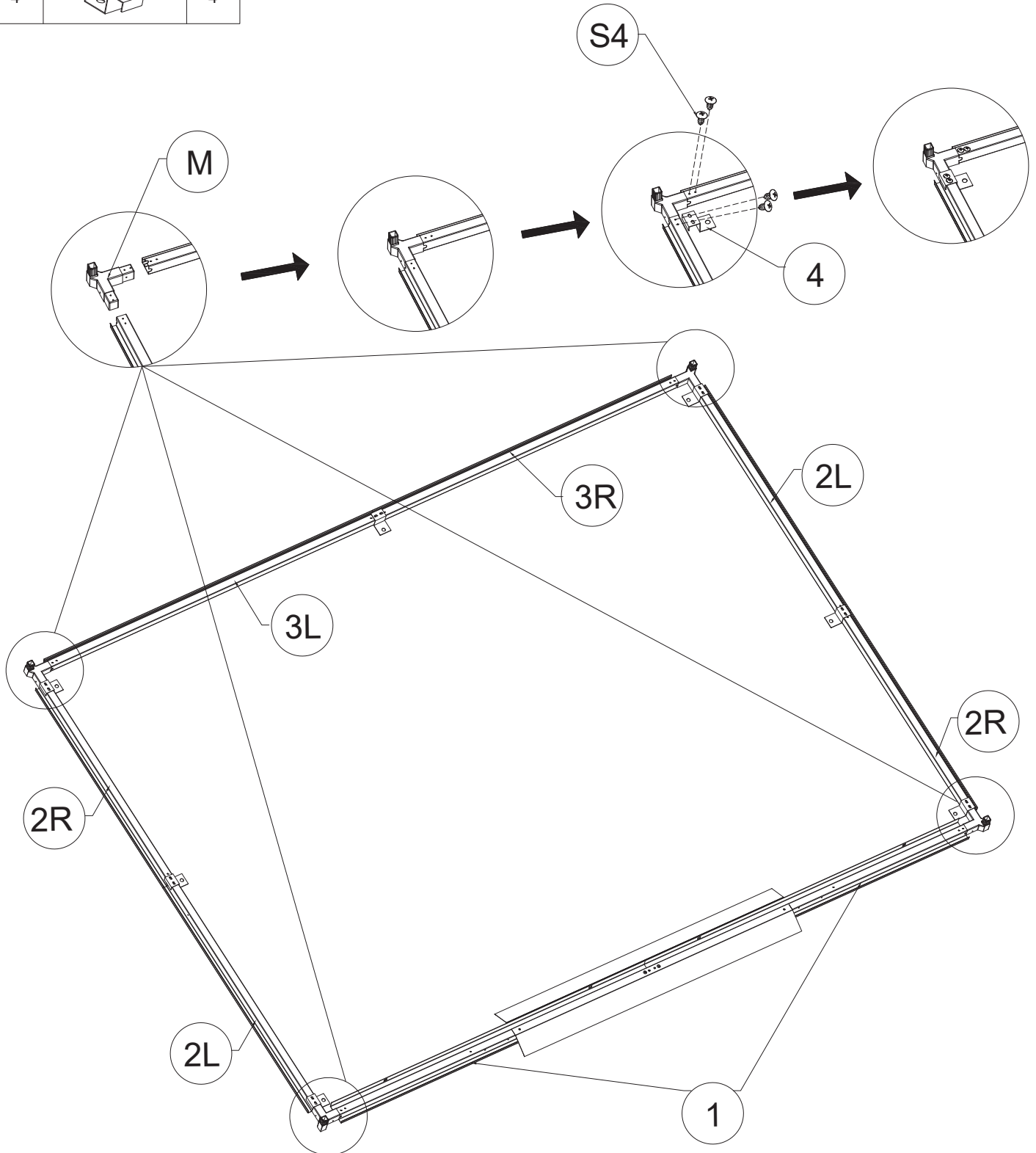
**STEP 4:** Connect beam(3L, 3R) with N and secure them with screws(S4).Then mount the 4 to it and secure it with screws(S4).






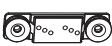

# Installation steps

NO	PART	QTY
M		4
S4		16
4		4

**STEP 5:** Connect the assembled bottom beams with plastic connectors(M) in the order shown in the picture. And mounted with screws(S4) at the four corners of the base beam clamps(4).

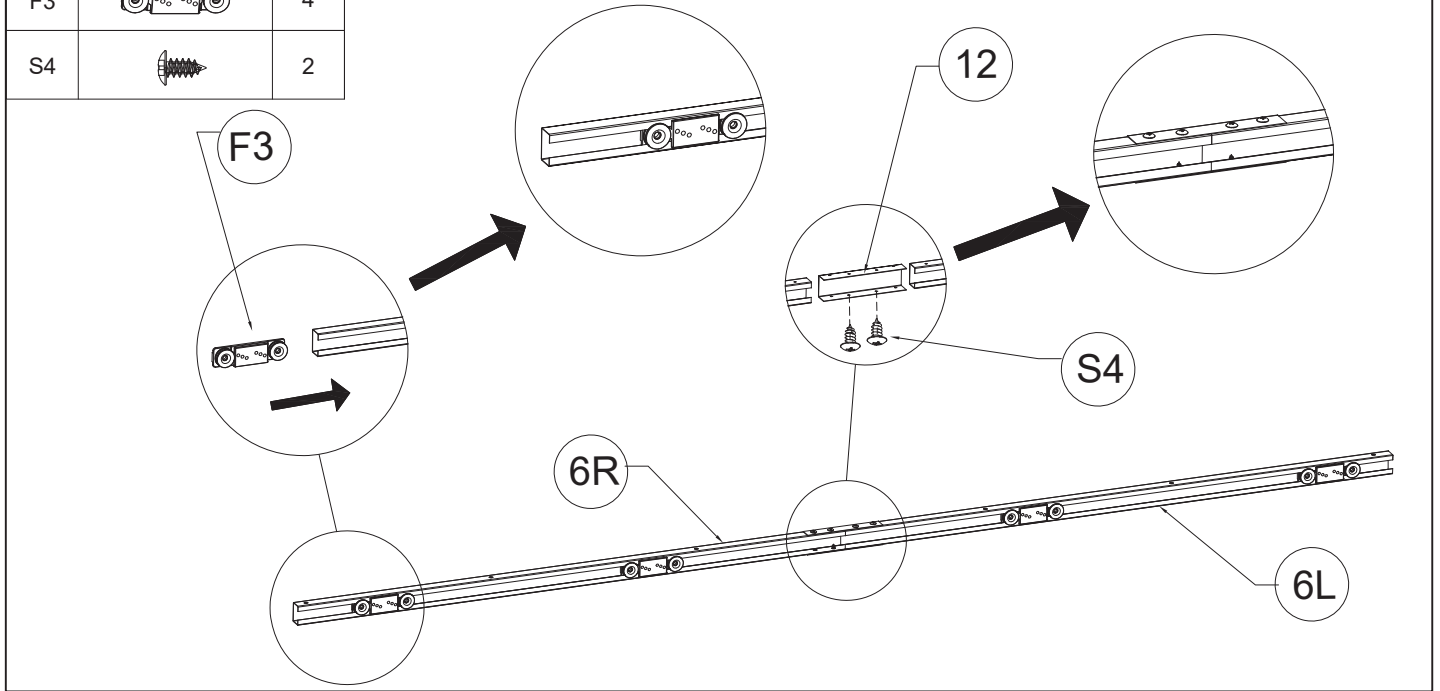




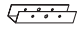


# Installation steps

NO	PART	QTY
6L	 1196, 2mm	1
6R	 1196, 2mm	1
12	 120mm	1
F3		4
S4		2

**STEP 6:** Connect beam(6L,6R) with connector(12), secure with screws, slide two roller(F3)in from the left and two F3's in from the right.

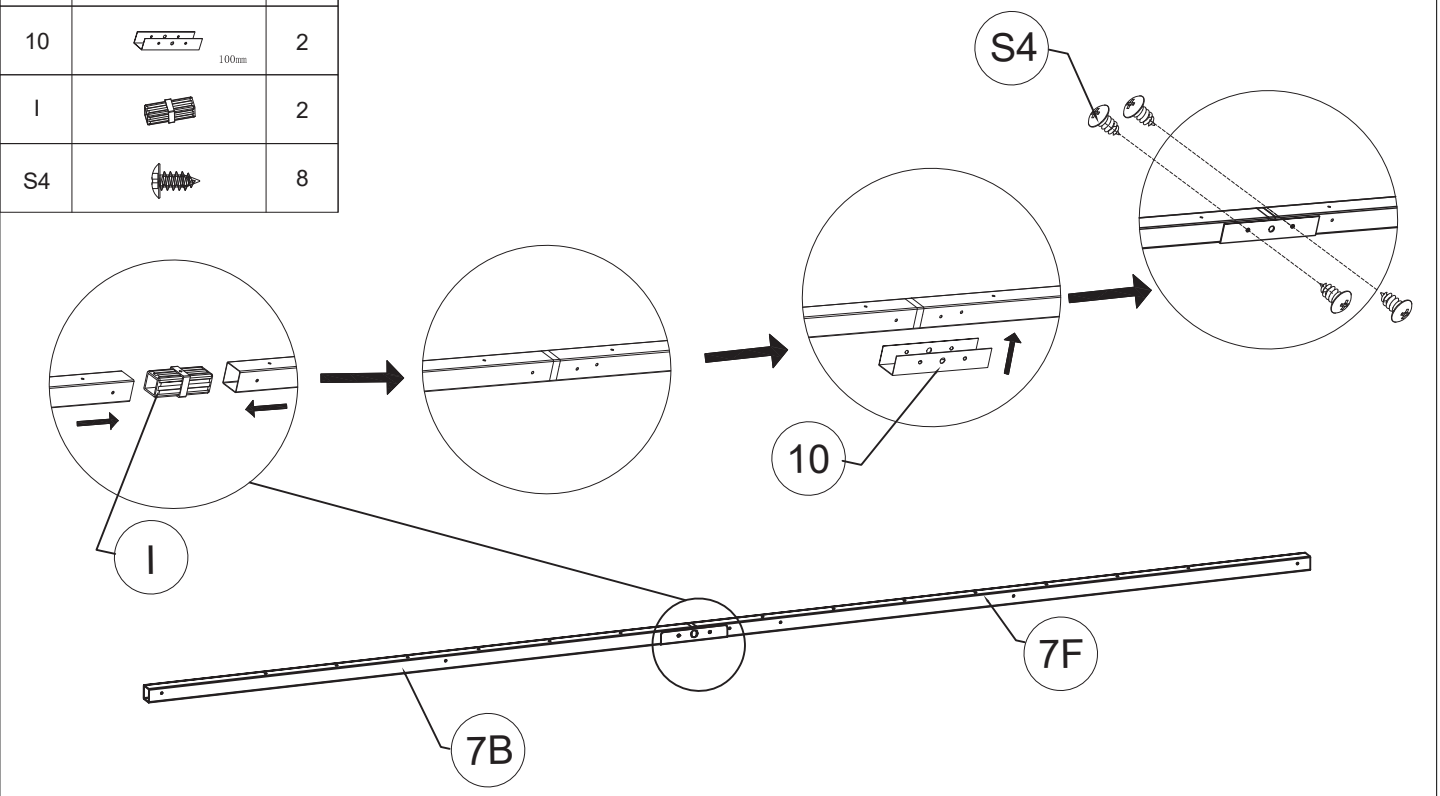
X4





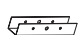


NO	PART	QTY
7F	 925, 2mm	2
7B	 818, 2mm	2
10	 100mm	2
I		2
S4		8

**STEP 7:** Connect beam(7B,7F) with connector(I) and secure with screws(S4).Put on connector(10), align the holes and secure with screws(S4).

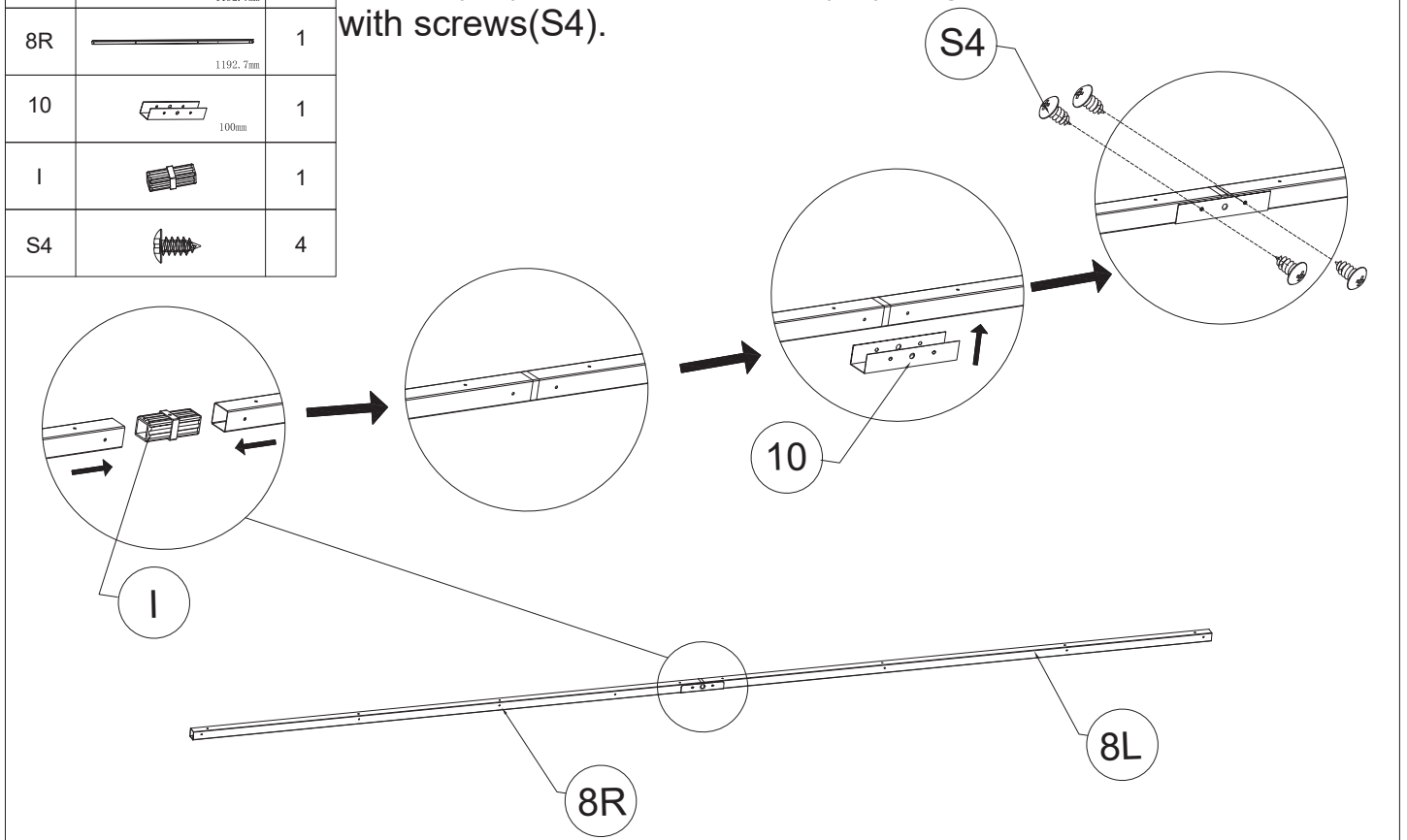
X2




# Installation steps

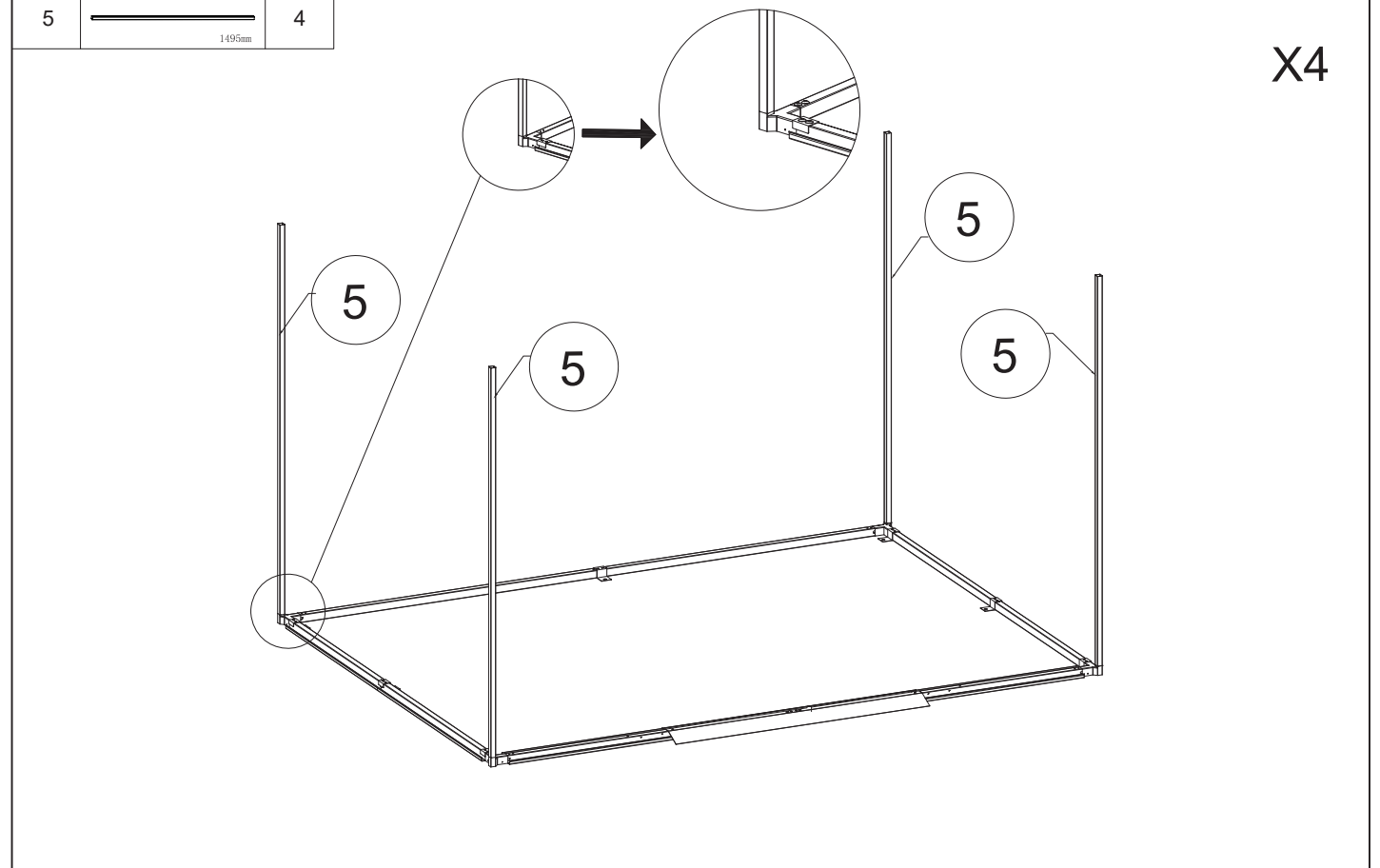
NO	PART	QTY
8L	 1192.7mm	1
8R	 1192.7mm	1
10	 100mm	1
I		1
S4		4

**STEP 8:** Connect beam(8R,8L)with connector(I)and secure with screws(S4). Put on connector(10), align the holes and secure with screws(S4).







NO	PART	QTY
5	 1495mm	4

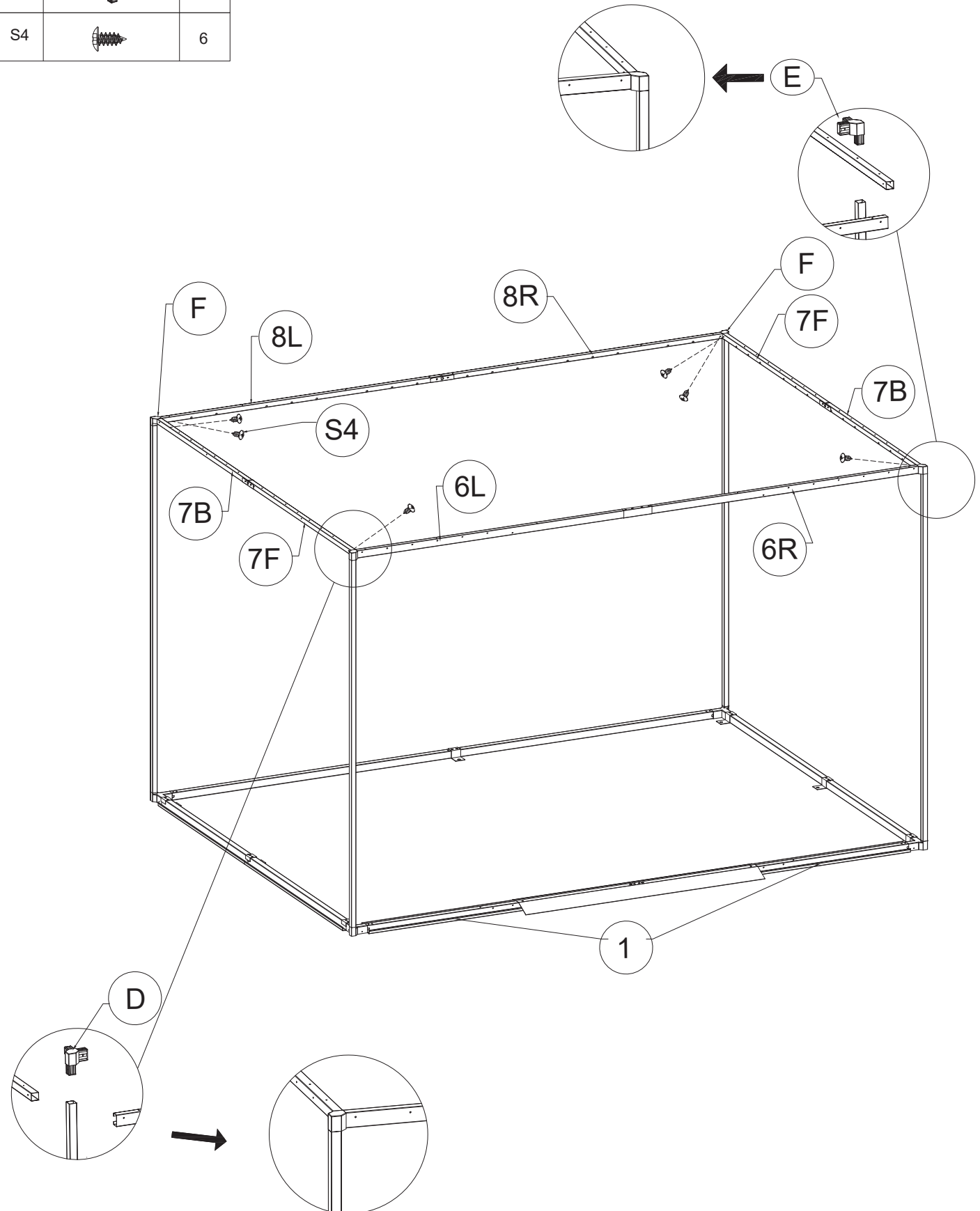
**STEP 9:** Installation of four column(5).





# Installation steps

NO	PART	QTY
D		1
E		1
F		2
S4		6

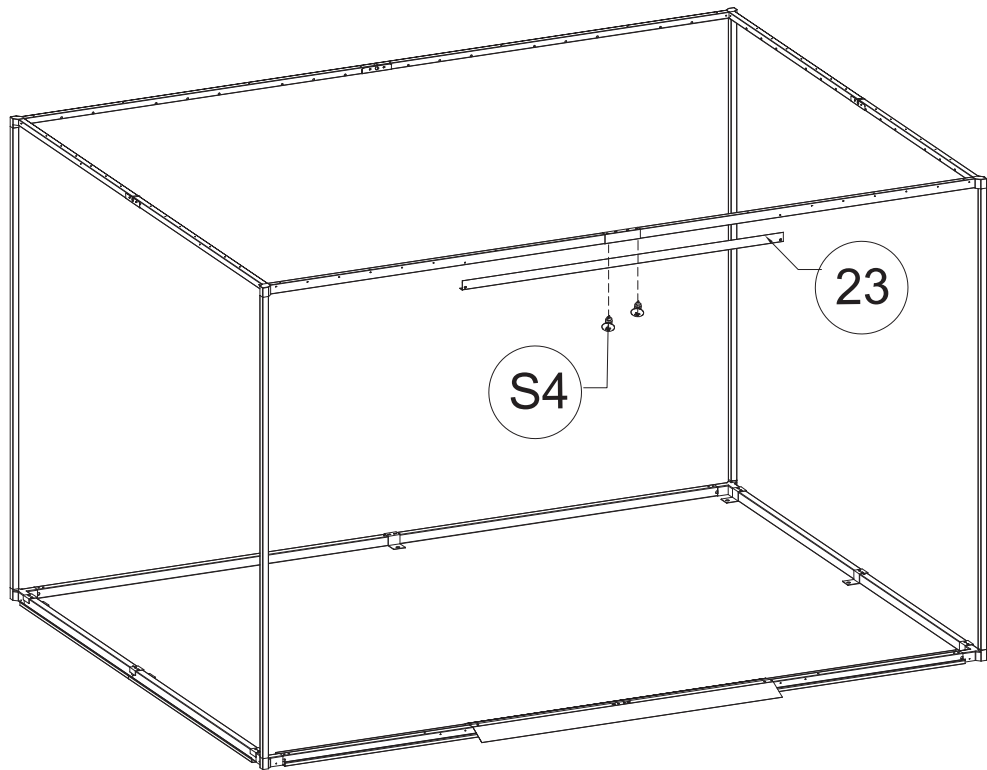
**STEP 10:** Insert plastic connectors (D, E, and F) into the risers in the positions as shown in the picture, insert the four previously connected rods into the connectors as shown, and fasten them with screws (S4).


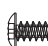


# Installation steps

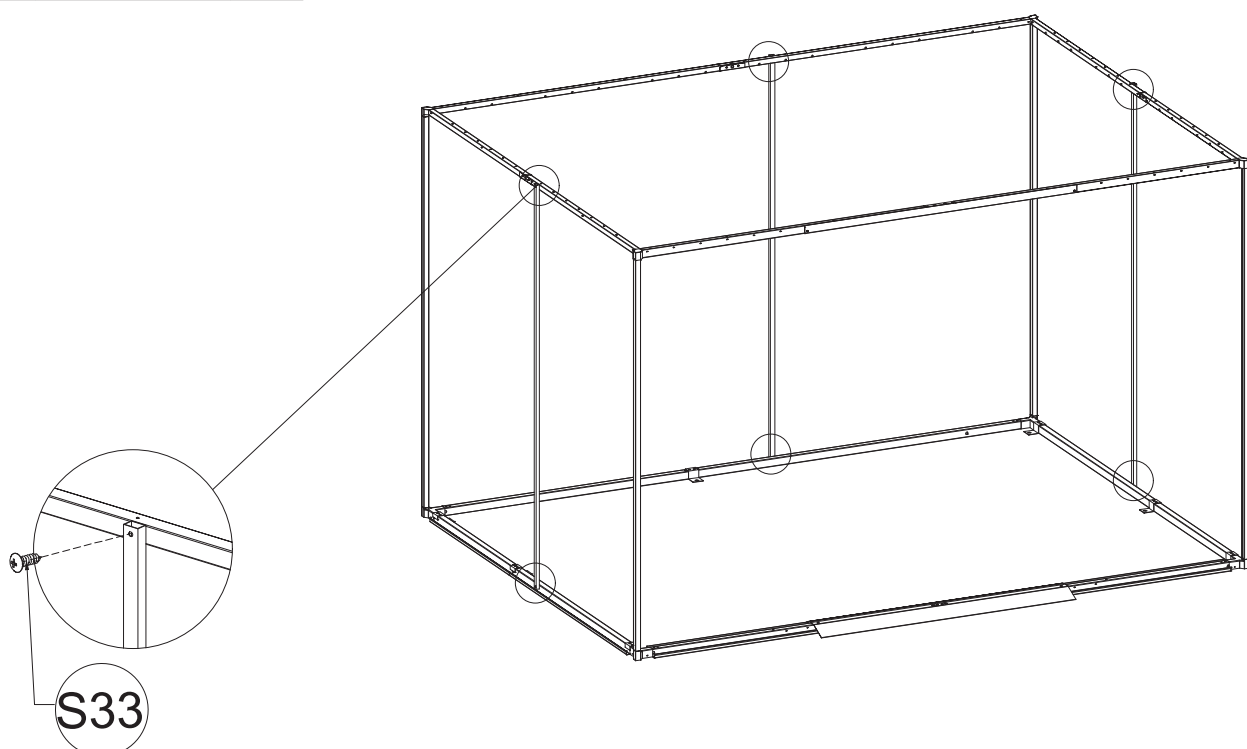
NO	PART	QTY
23	 1090mm	1
S4		2

**STEP 11:** Attach Slide rail corner protector(23) to the upper beam on the front with screws(S4).







NO	PART	QTY
39	 1545.5mm	3
S33		6

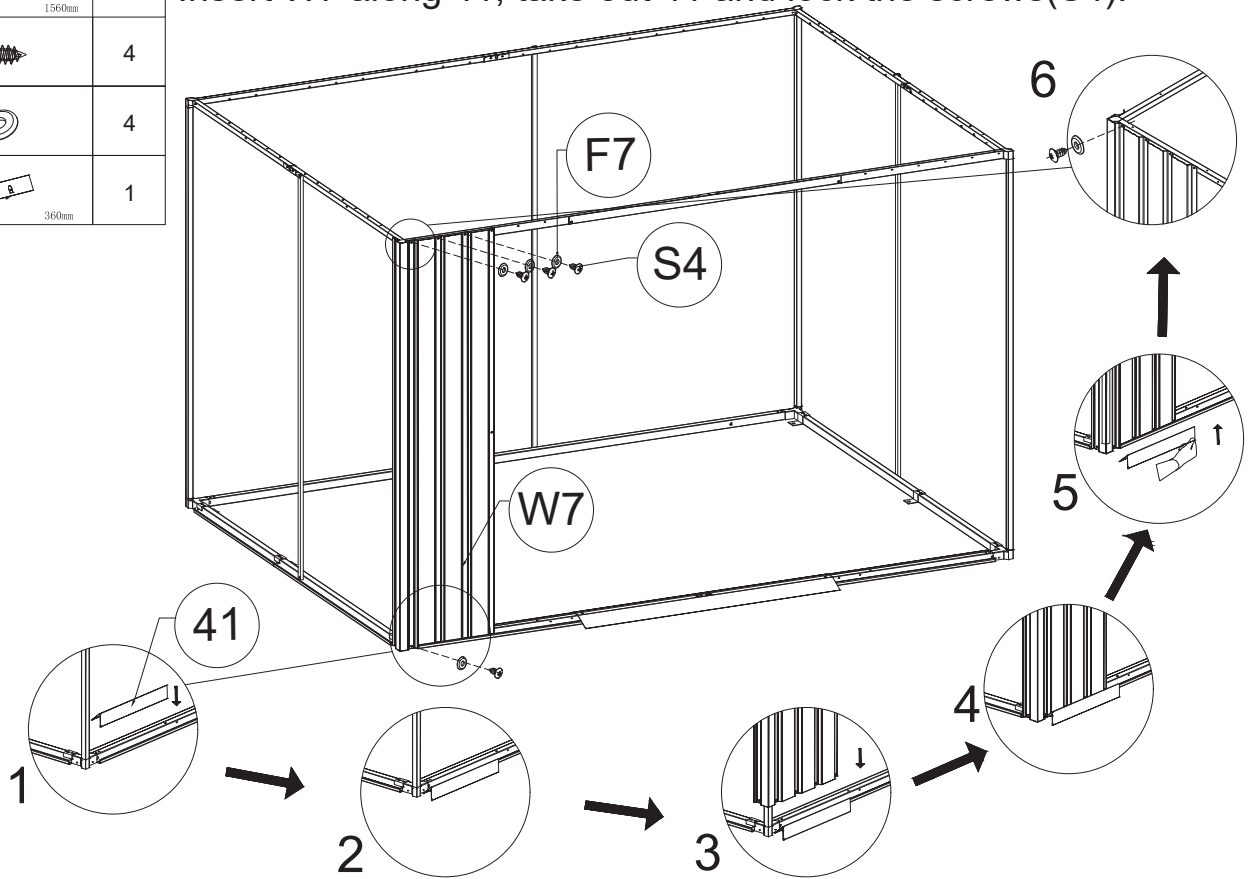
**Step 12:** Insert the mounted (39) on the outside of Upper and lower beams in the order shown and tighten with screws (S33).








# Installation steps

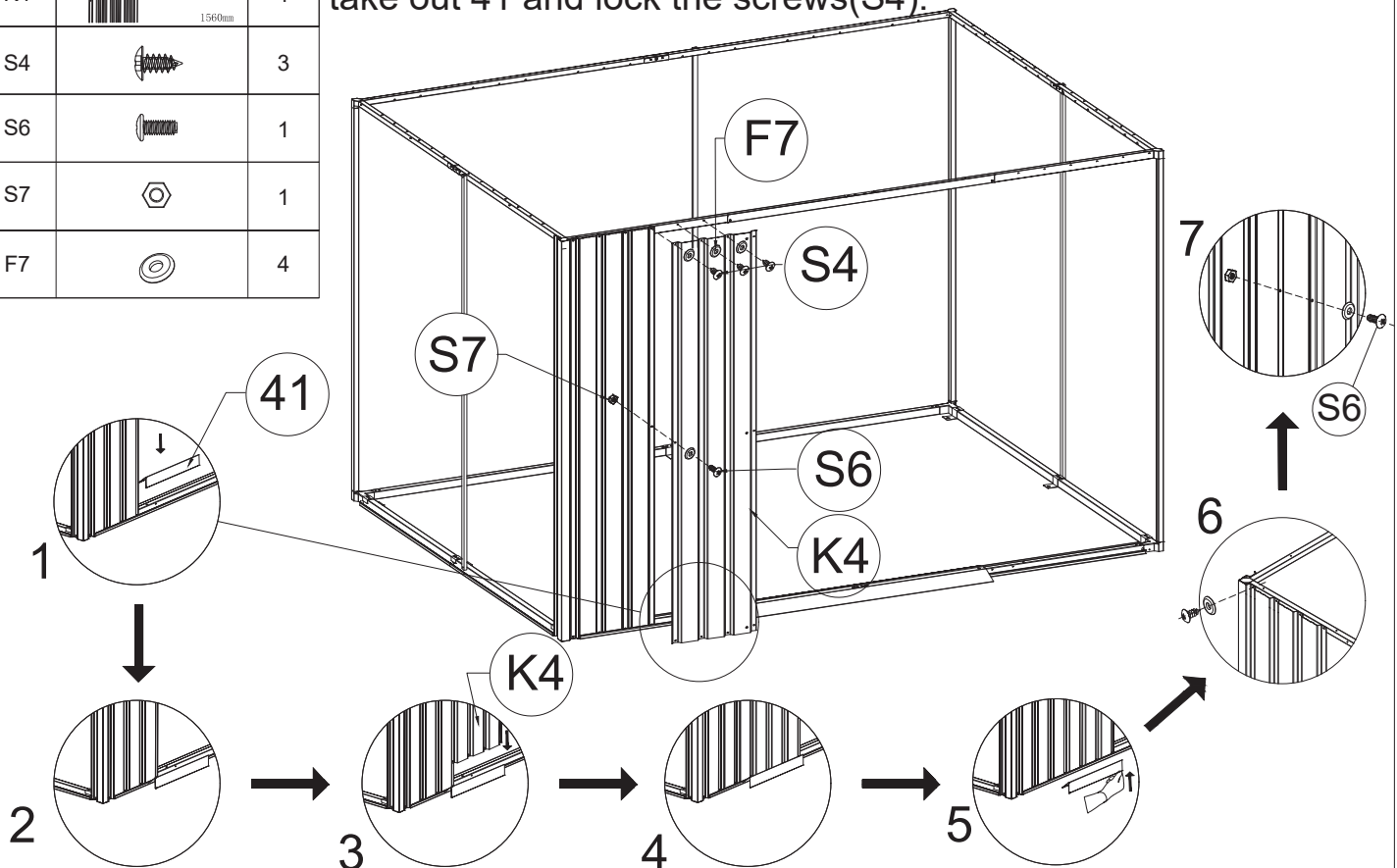
NO	PART	QTY
W7		1
S4		4
F7		4
41		1

**STEP 13:**Mount Plug-in puller(41) to the bottom front beam, Insert W7 along 41, take out 41 and lock the screws(S4).








NO	PART	QTY
K4		1
S4		3
S6		1
S7		1
F7		4

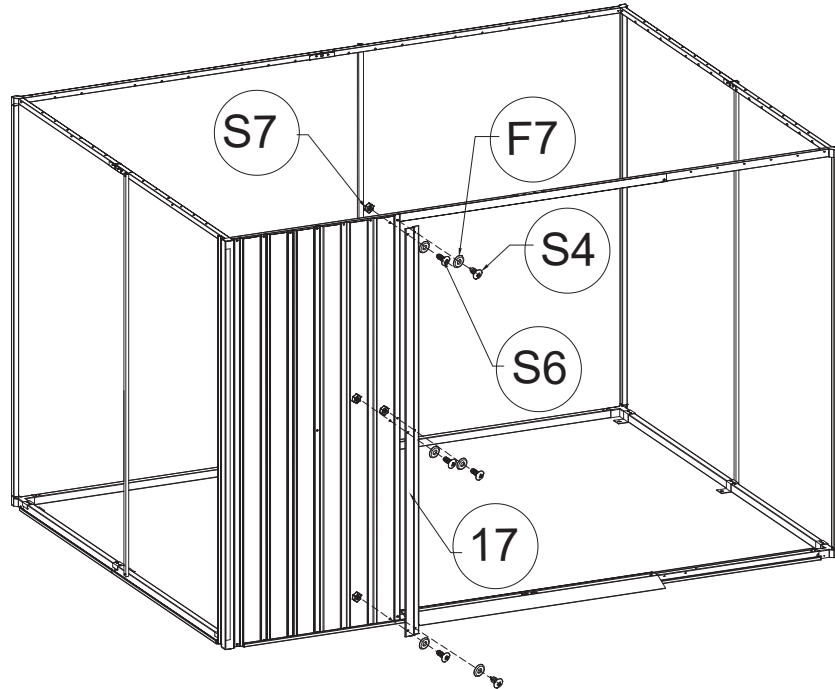
**STEP 14:**Mount 41 to the bottom front beam, Insert K4 along 41, take out 41 and lock the screws(S4).

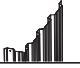


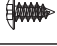





# Installation steps

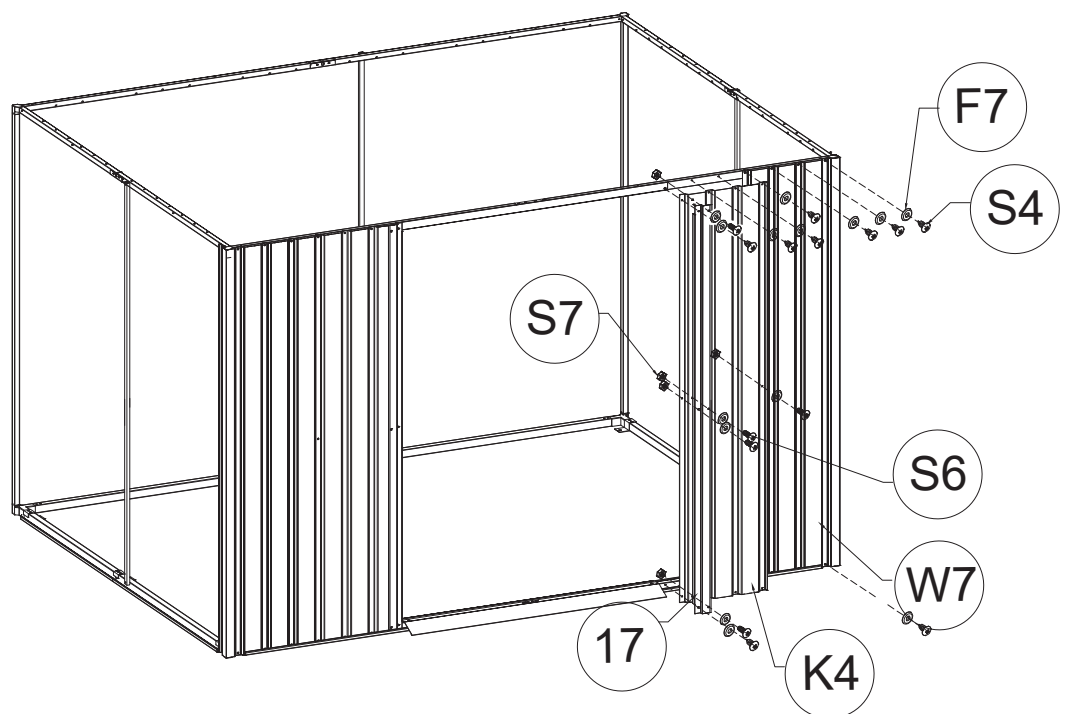
NO	PART	QTY
17	 1560mm	1
S4		2
S6		4
S7		4
F7		6

**STEP 15:** Mount 17 to upper and lower beams and secure with screws(S4,S6,S7).









NO	PART	QTY
W7	 1560mm	1
K4	 1560mm	1
17	 1560mm	1
S4		9
S6		5
S7		5
F7		14

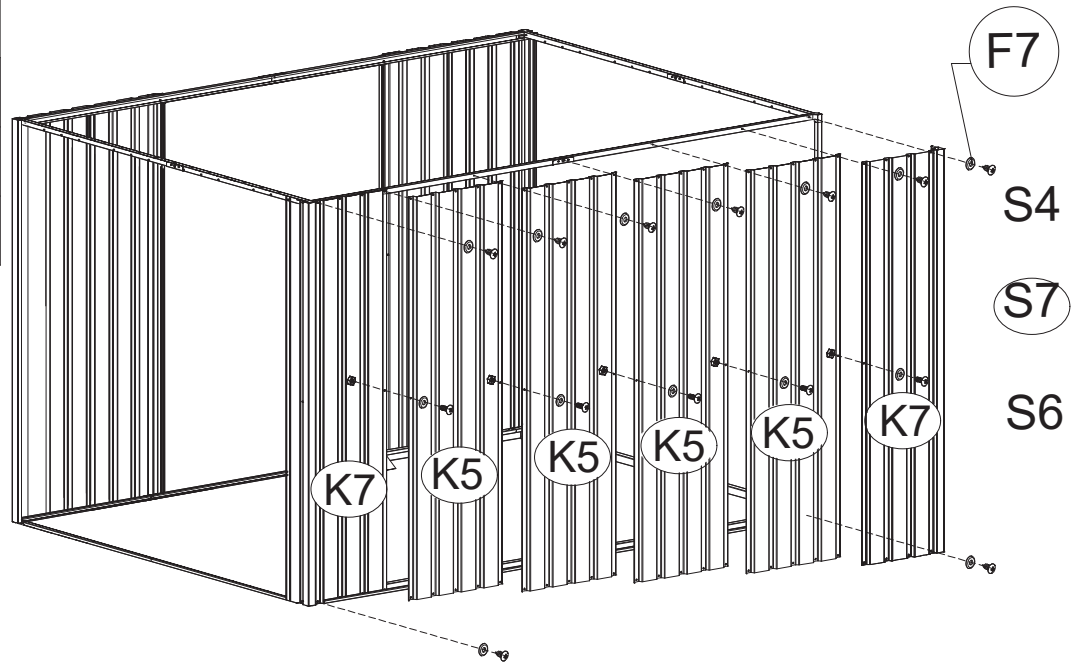
**STEP 16:** Install tile(W7,K4)and door protector(17) in turn and secure with screws(S4,S6,S7).









# Installation steps

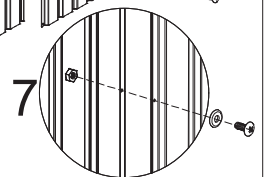
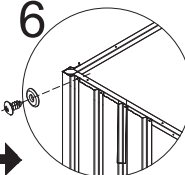
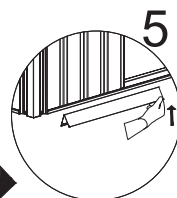
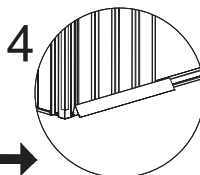
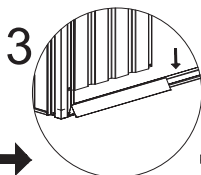
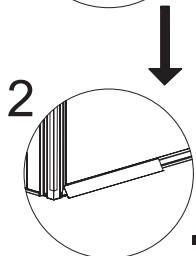
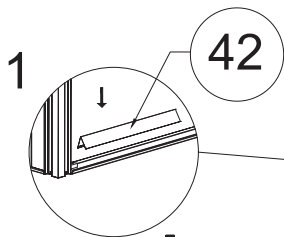
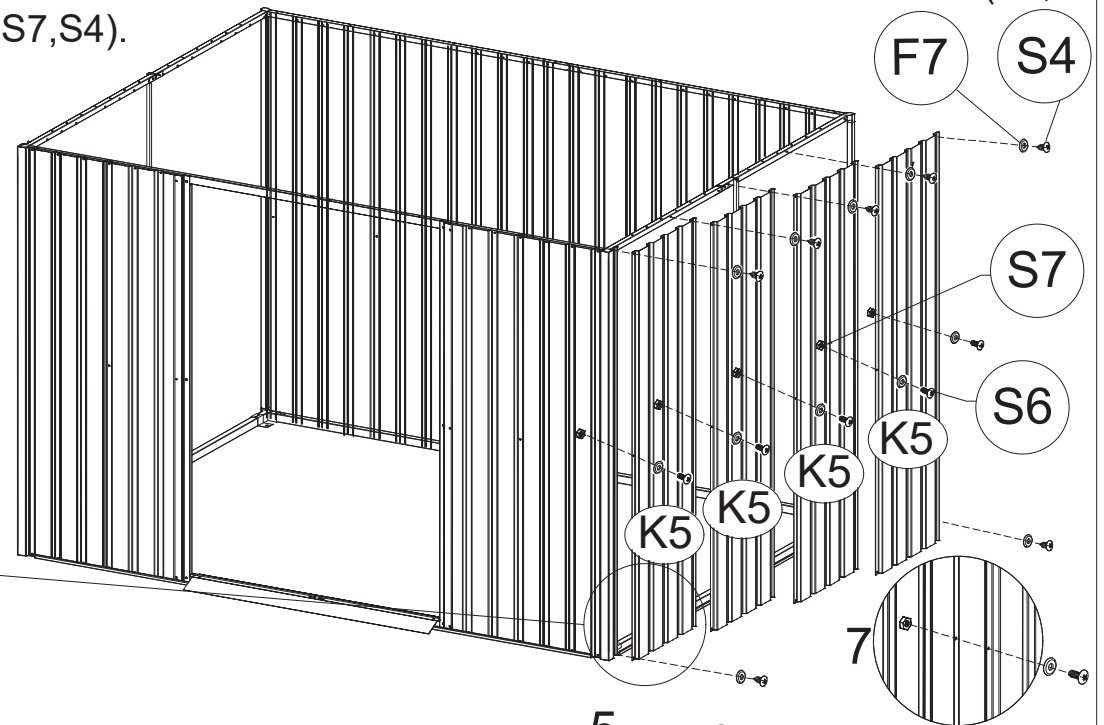
NO	PART	QTY
K7	 1560mm	2
K5	 1560mm	4
S4		9
S6		5
S7		5
F7		14

**STEP 17:** Attach tiles for walls (K5, K7) in turn to the beam and fasten with screws (S4, S6, S7).




NO	PART	QTY
K5	 1560mm	4
S4		7
S6		5
S7		5
F7		12
42	 500mm	1

**STEP 18:** Mount the K5 to the side and secure with screws (S6, S7, S4).

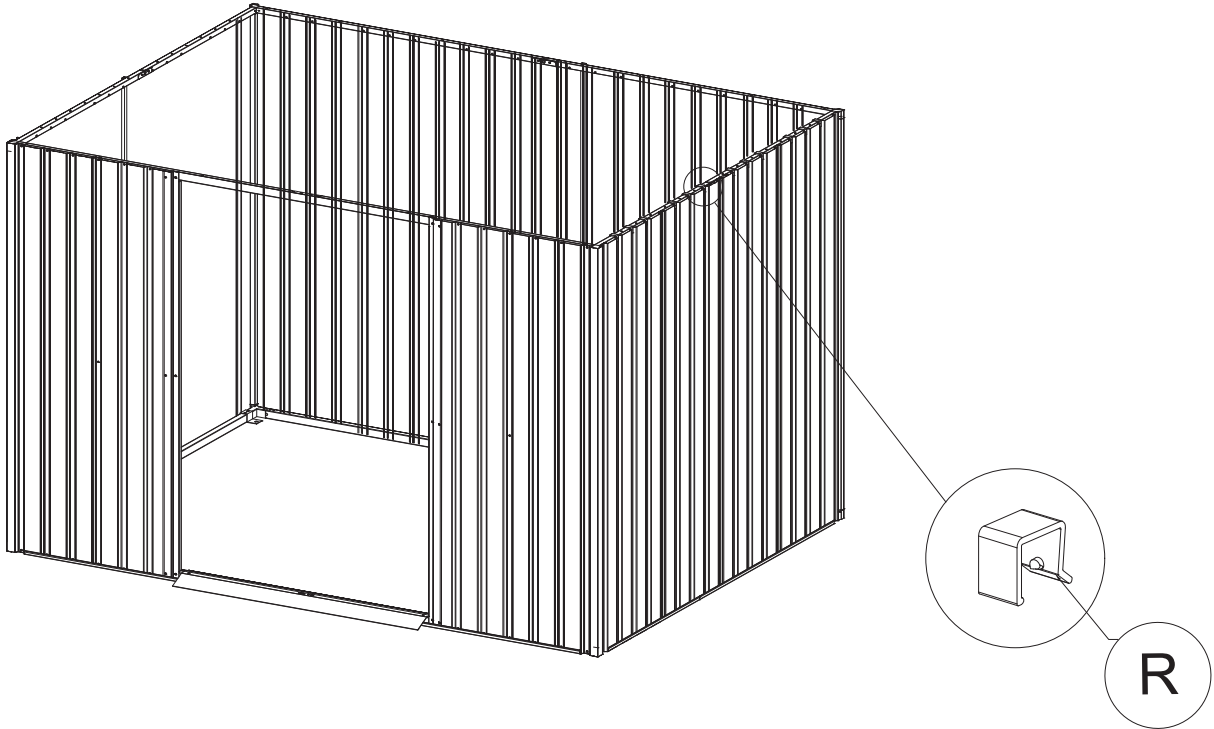


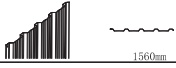




# Installation steps

NO	PART	QTY
R		12

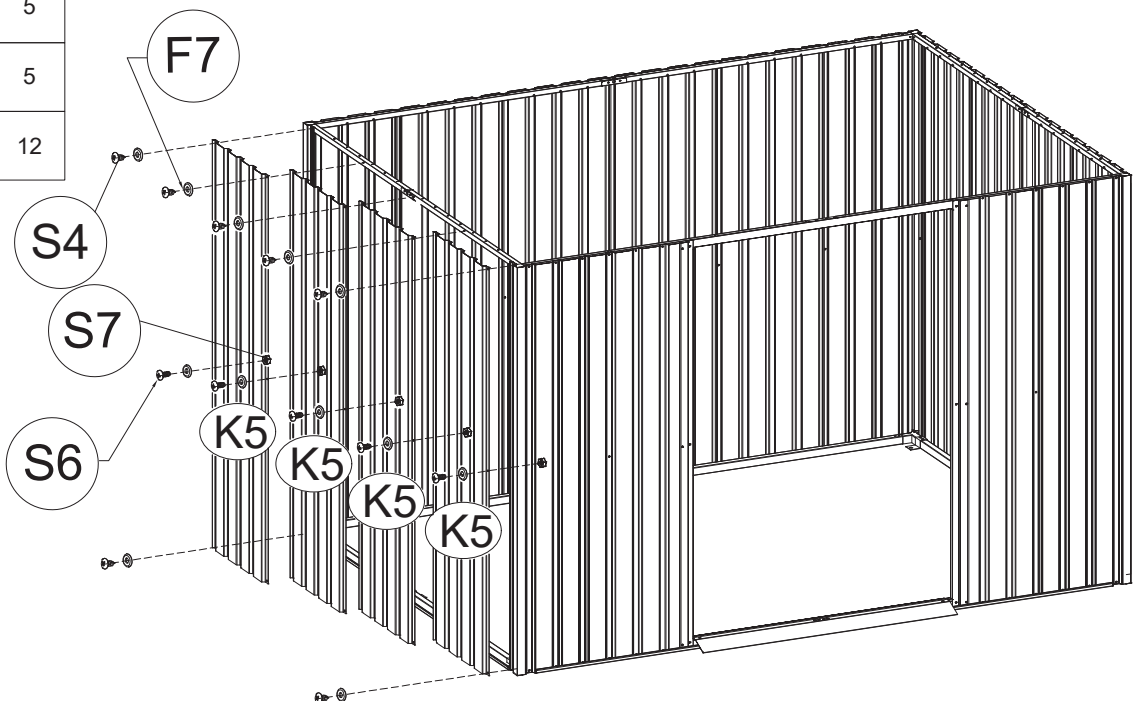
**Step 19:** Align the plastic clips (R) with the holes in the beam, snap the protruding parts of the clips into the holes in the beam, and then snap the shingle and beam together.

**Note:** Orient the snap with the vertical side facing up.




NO	PART	QTY
K5	 1500mm	4
S4		7
S6		5
S7		5
F7		12

**STEP 20:** Attach tiles for walls (K5) in turn to the beam and fasten with screws (S4, S6, S7).

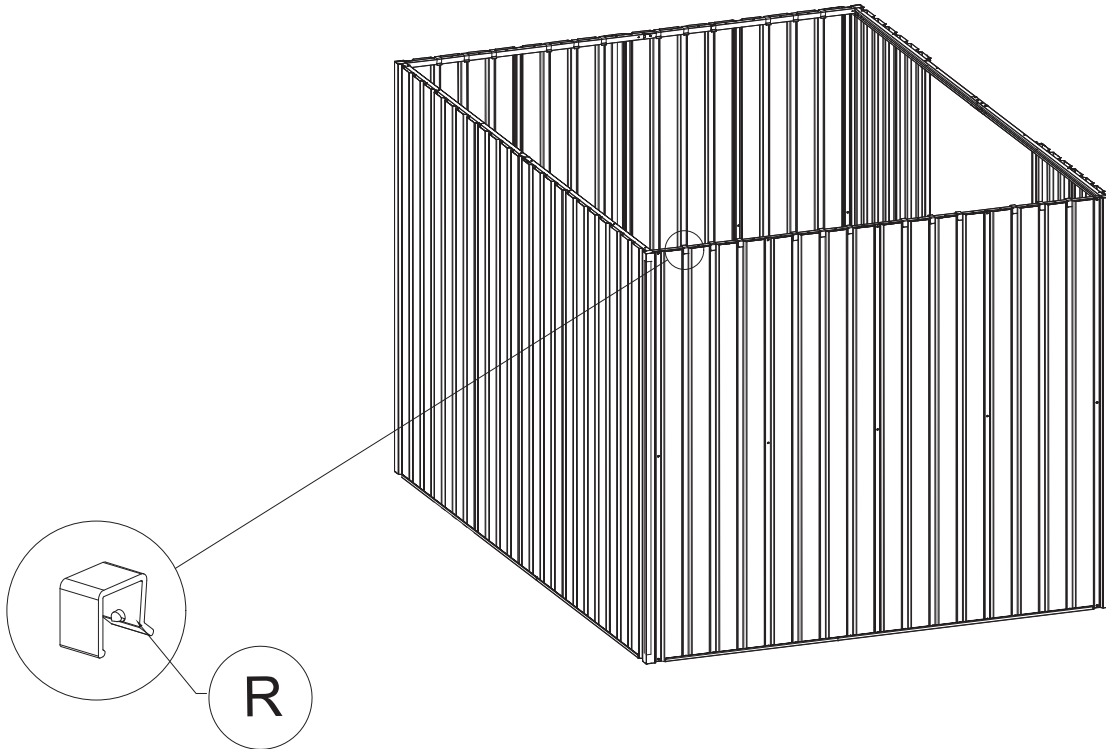










# Installation steps

NO	PART	QTY
R		12

**Step 21:** Align the protruding portion of the snap with the hole in the beam and snap the shingle and beam into the snap.

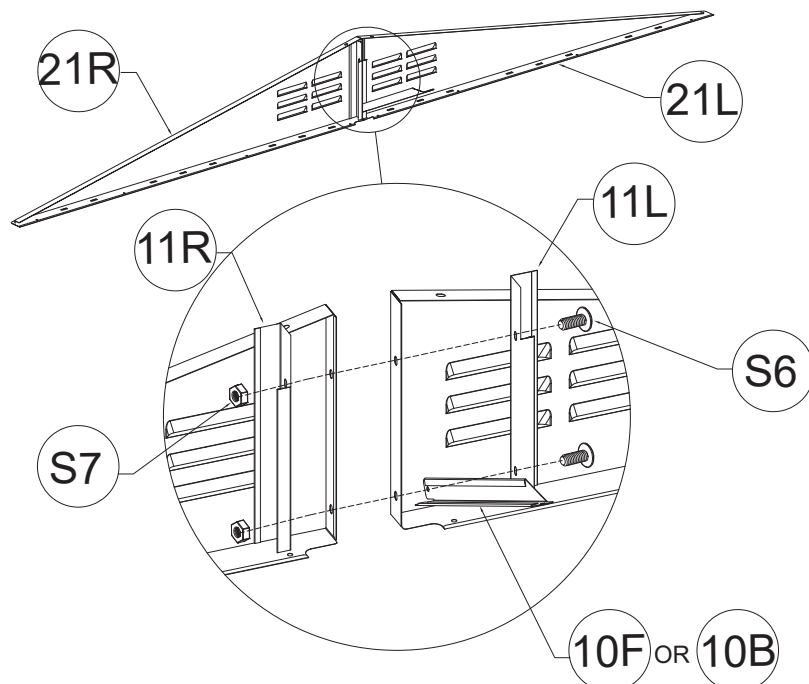
**Note:** Orient the snap with the vertical side facing up.




NO	PART	QTY
10F	 353mm	1
10B	 353mm	1
11L	 230mm	2
11R	 230mm	2
21L		2
21R		2
S6		4
S7		4

**STEP 22:** Then snap 11L and 11R into the triangular support plate (21L, 21R), with the holes aligned, and sandwich 10F between the two triangular support plates (21L, 21R), with the holes aligned with the holes near the long right-angled side, and fasten with screws (S6) and nuts (S7).

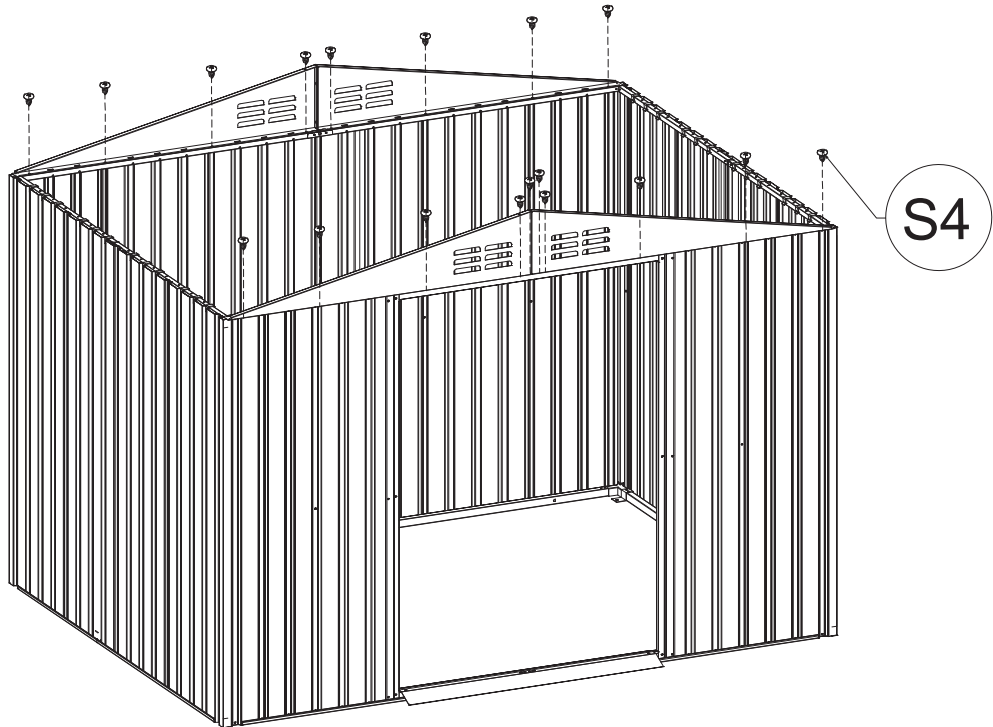
X2




# Installation steps

NO	PART	QTY
S4		18

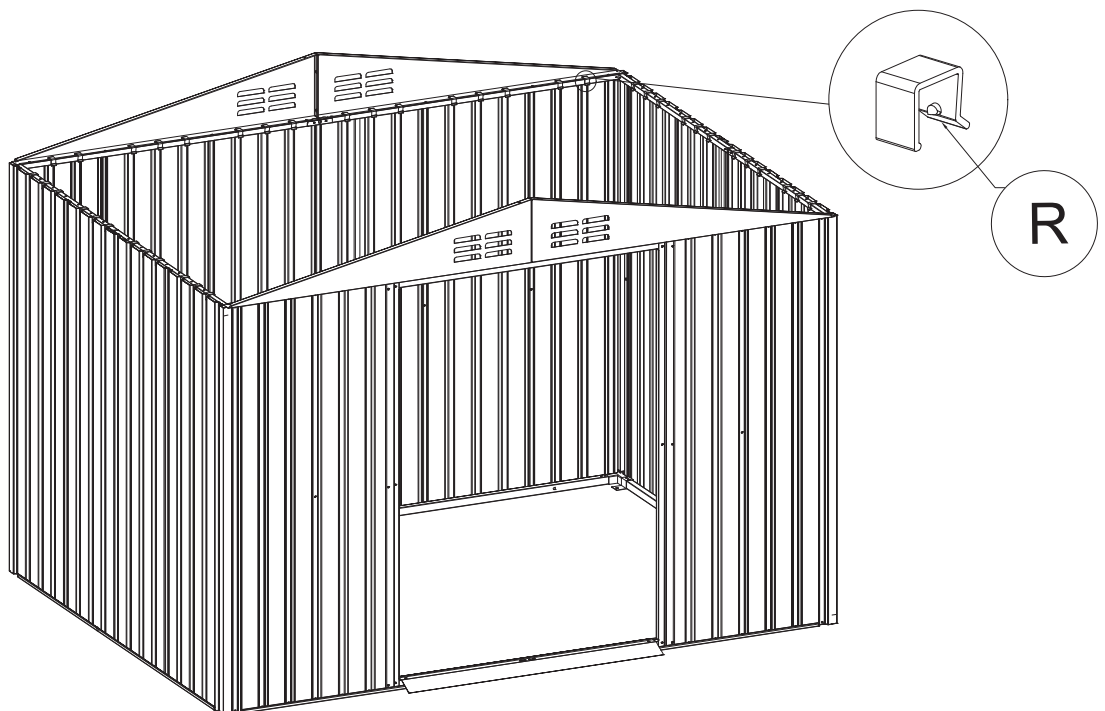
**STEP 23:** Attach the assembled triangle to the main body and shrink it with screws(S4).








NO	PART	QTY
R		16

**Step 24:** Align the protruding portion of the snap with the hole in the beam and snap the shingle and beam into the snap.

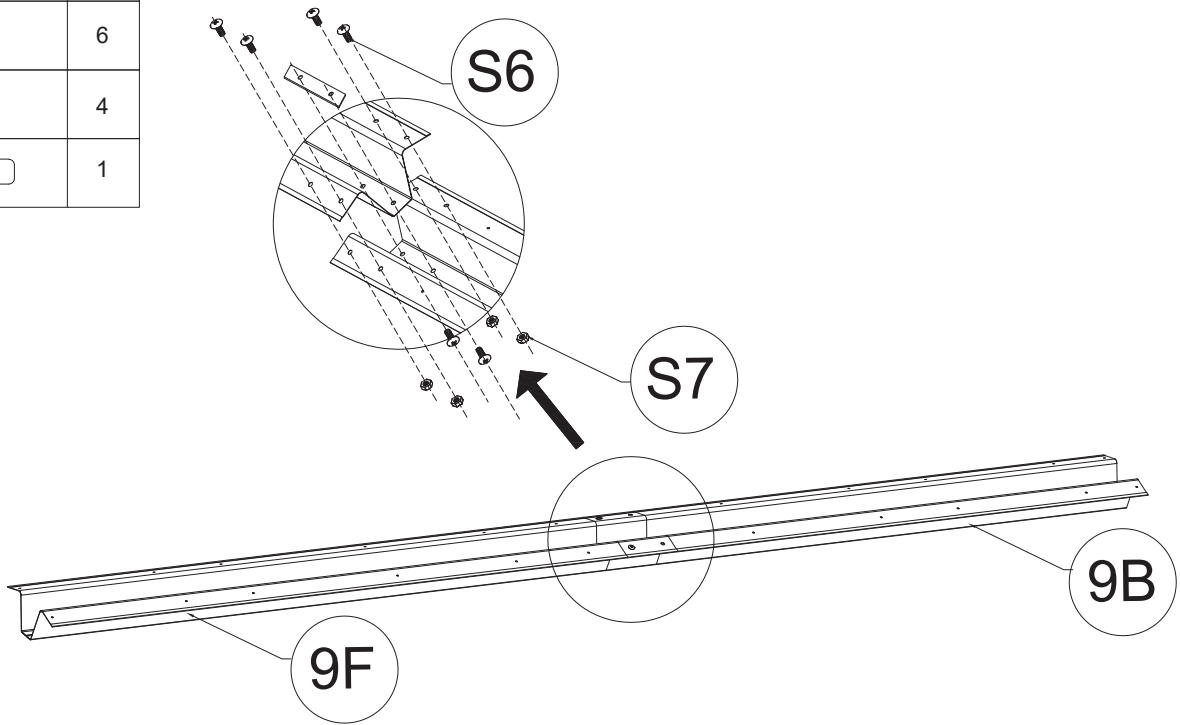
**Note:** Orient the snap with the vertical side facing up.




# Installation steps

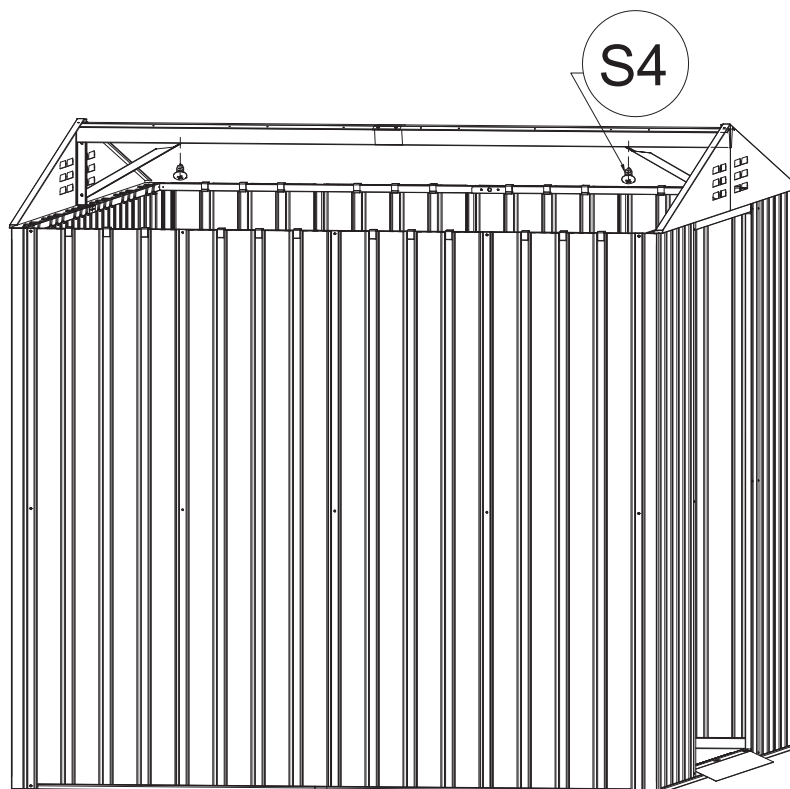
NO	PART	QTY
9F	 998, 5mm	1
9B	 918, 5mm	1
S6		6
S7		4
11		1

**STEP 25:** Connect beam(9F,9B) with screws, align the empty spaces then screw beam connectors(11) into 9F and 9B.







NO	PART	QTY
S4		2

**STEP 26:** Attach the assembled triangle to the main body and shrink it with screws(S4).

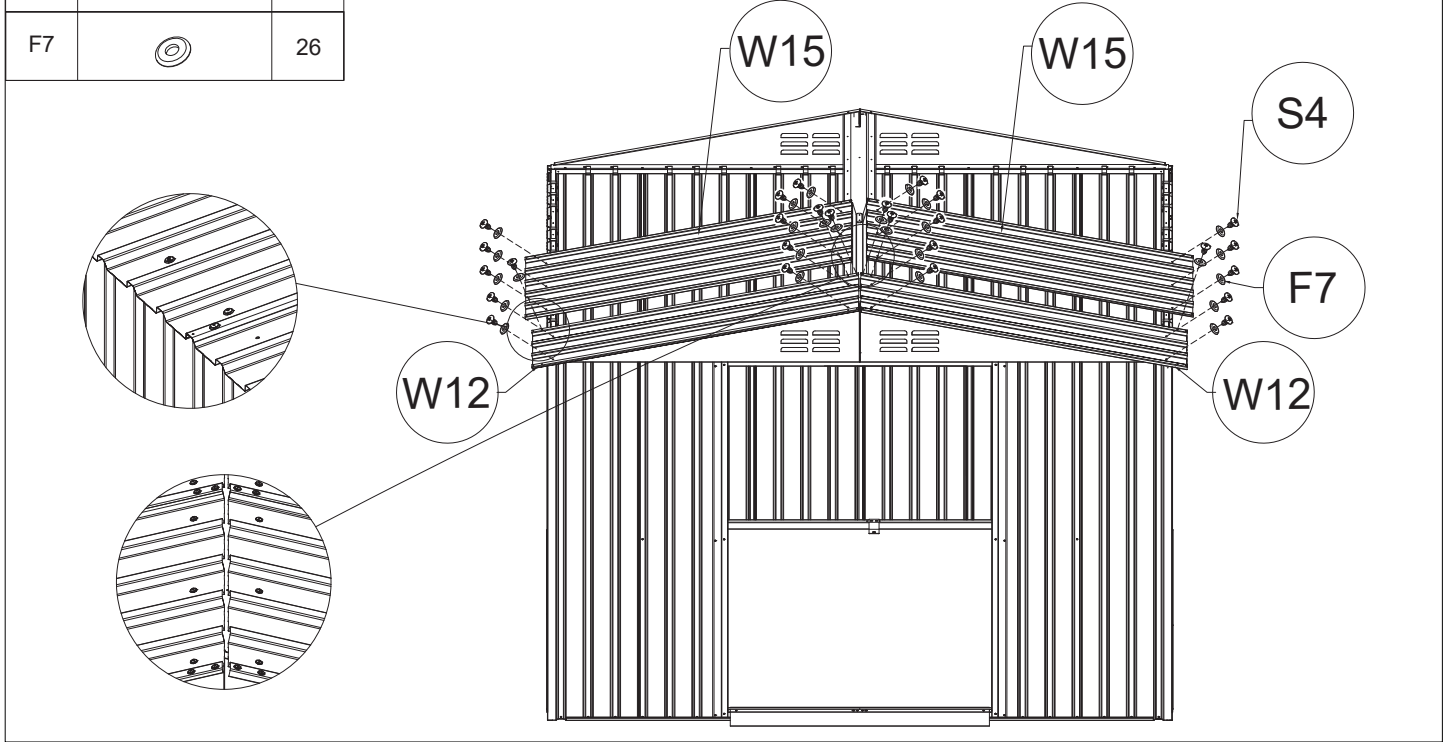




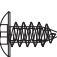
# Installation steps



NO	PART	QTY
W12	 1308mm	2
W15	 1308mm	2
S4		26
F7		26

**STEP 27:** Attach the two W12 cover plates from the end near the door to the top bezel bar and support bar, with the holes lined up then mount with screws(S4). Install the two W15 cover plates.

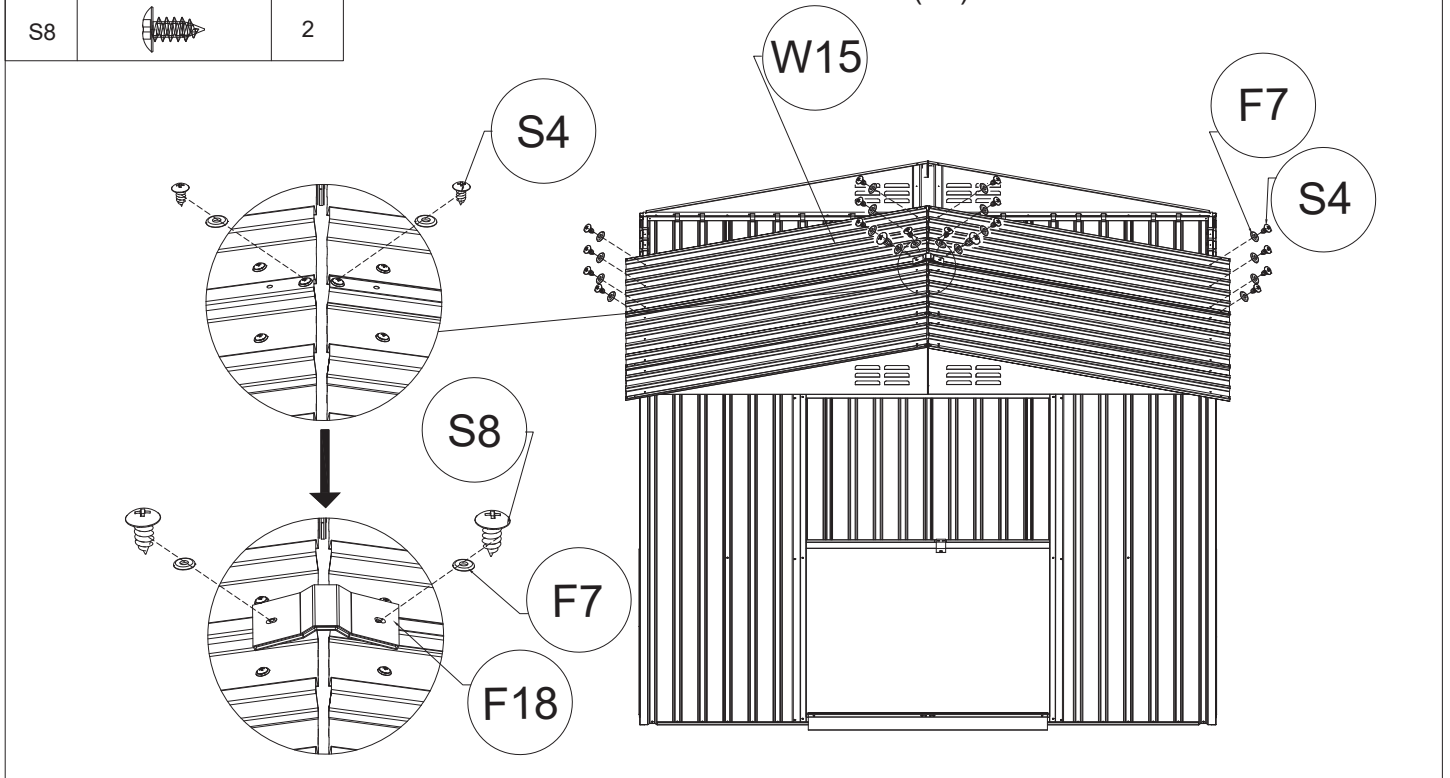
**Note:** Pay attention to the direction of the cover plate(W12), the "L" edge facing outward, the left and right sides of the outer most screw holes do not need to be installed, first put the gasket on the screws, and then fixed installation.






NO	PART	QTY
W15	 1308mm	2
S4		16
S8		2

NO	PART	QTY
F7		18
F18		1

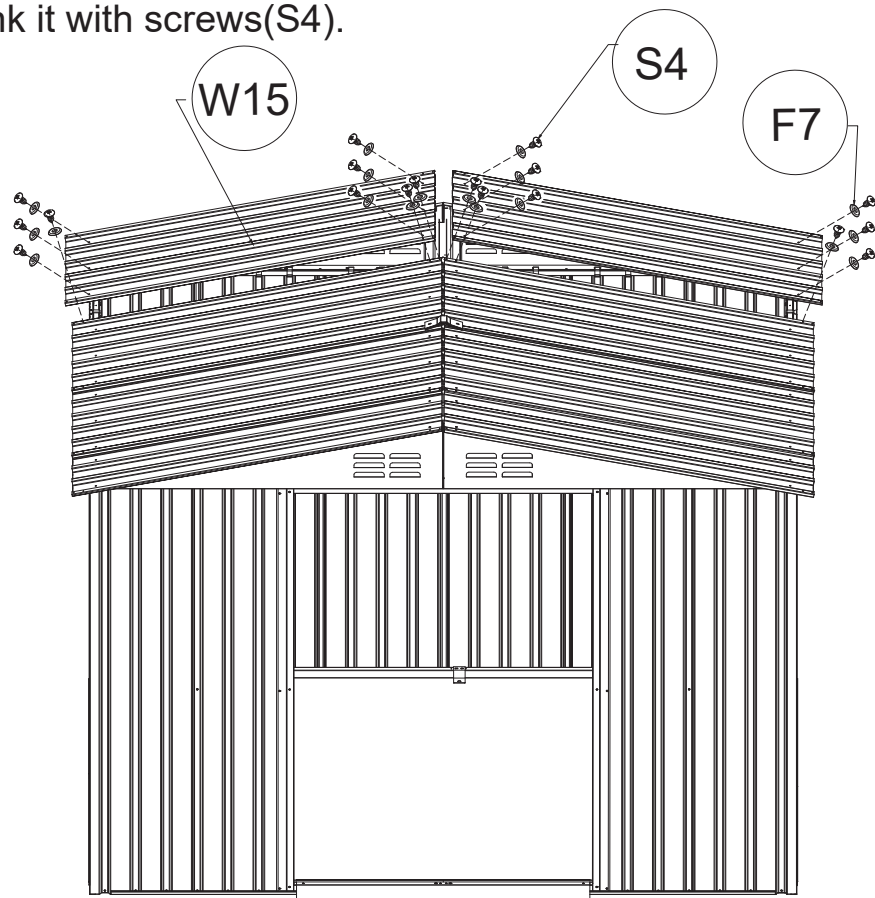
**STEP 28:** Install the two W15 cover plates.  
**Note:** The outermost left and right screw holes are not required to be mounted, with the spacers first placed on the screws, then secure the installation. Fasten F18 to W15 with screws(S8).













# Installation steps

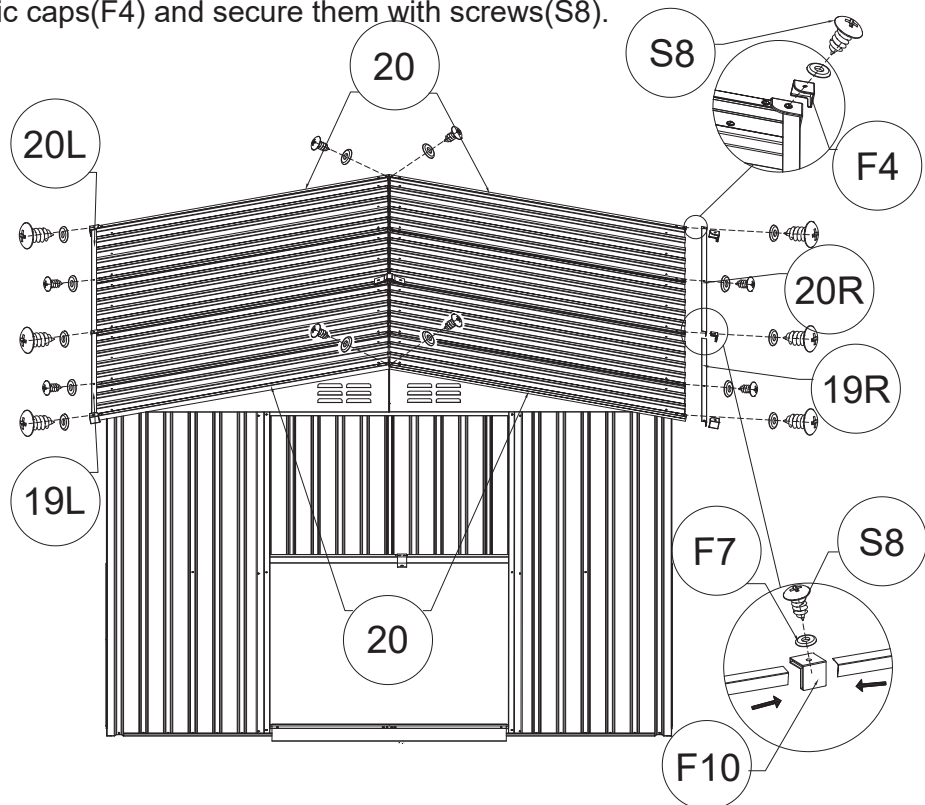
NO	PART	QTY
W15	 1308mm	2
S4		18
F7		18

**STEP 28:** Attach the assembled triangle to the main body and shrink it with screws(S4).

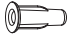


NO	PART	QTY
19L	 858mm	1
19R	 858mm	1
20L	 1072mm	1
20R	 1072mm	1
20	 1316mm	4
S4		8
S8		6
F4		4
F7		14
F10		2

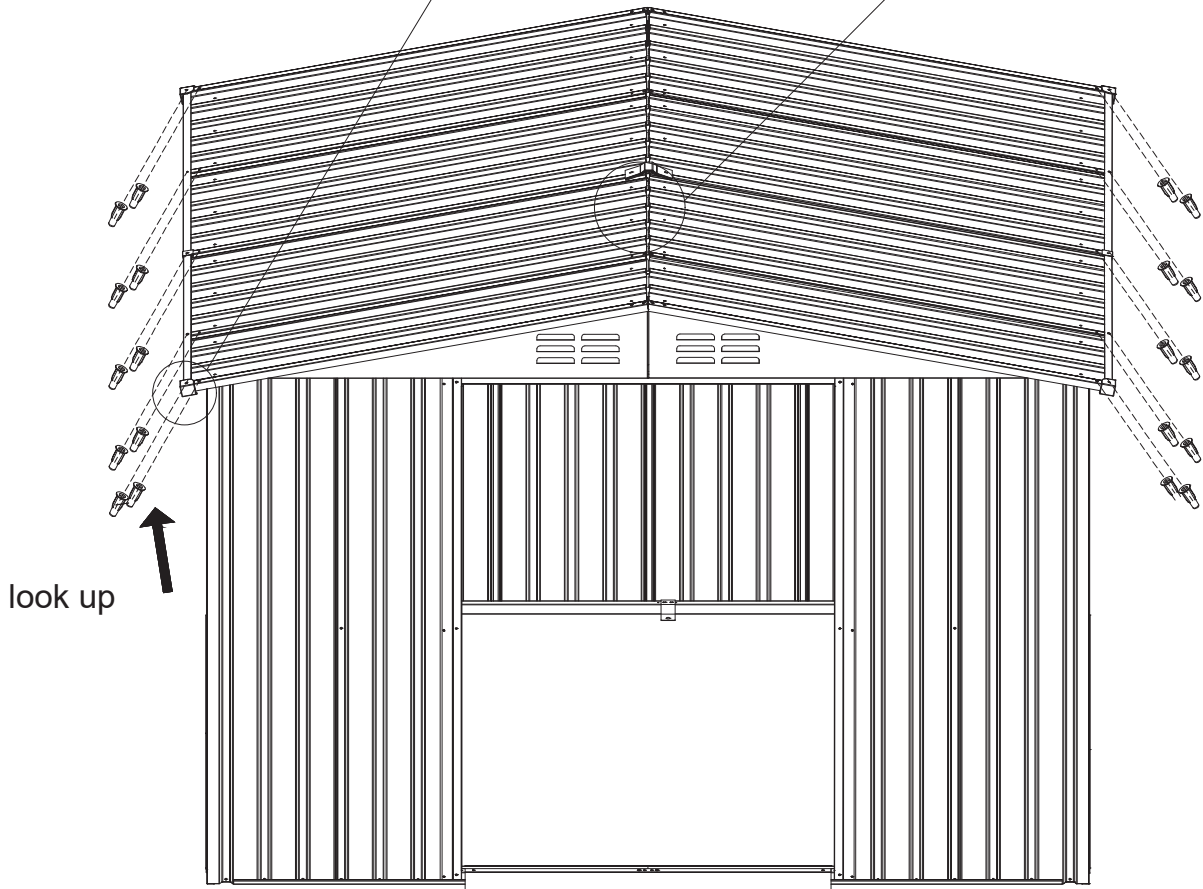
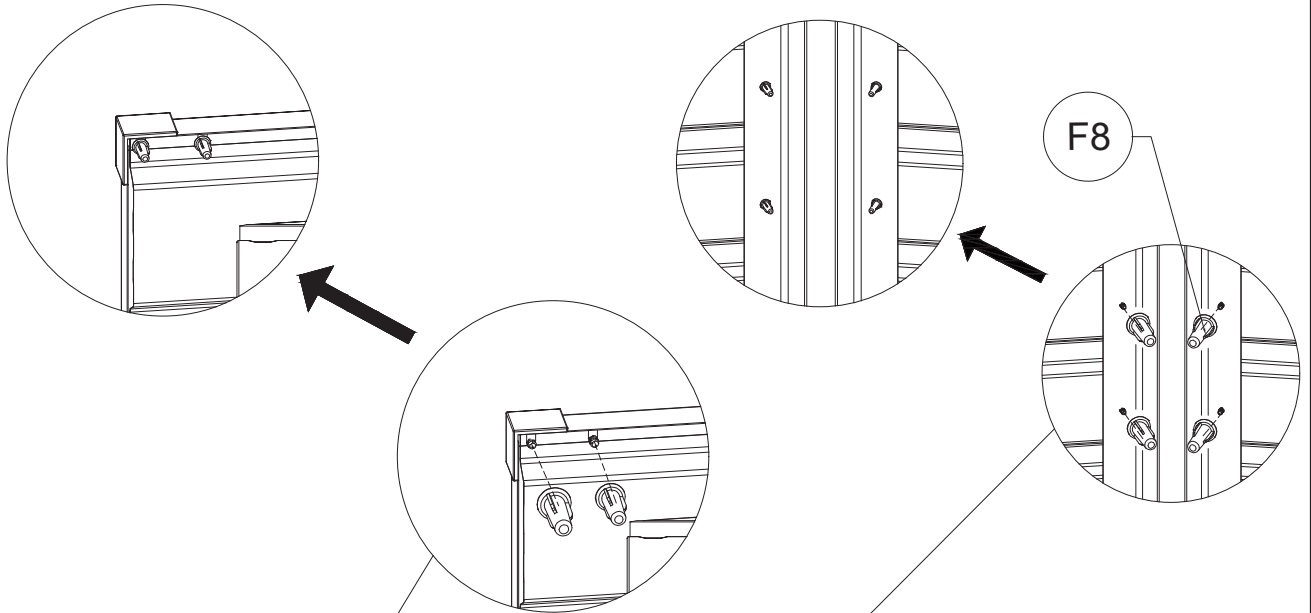
**STEP 29:** Connect roof corners(19L, 20L)with F10, secure with screws(S8). Connect roof corners(19R, 20R) with F10, secure with screws(S8). Attach the "L" shaped parts (19L,20L)(19R,20R)to the left and right edges of the cover, securing them with screws(S4) in the center,and cover the joints at the four corners with plastic caps(F4) and secure them with screws(S8).








# Installation steps

NO	PART	QTY
F8		44

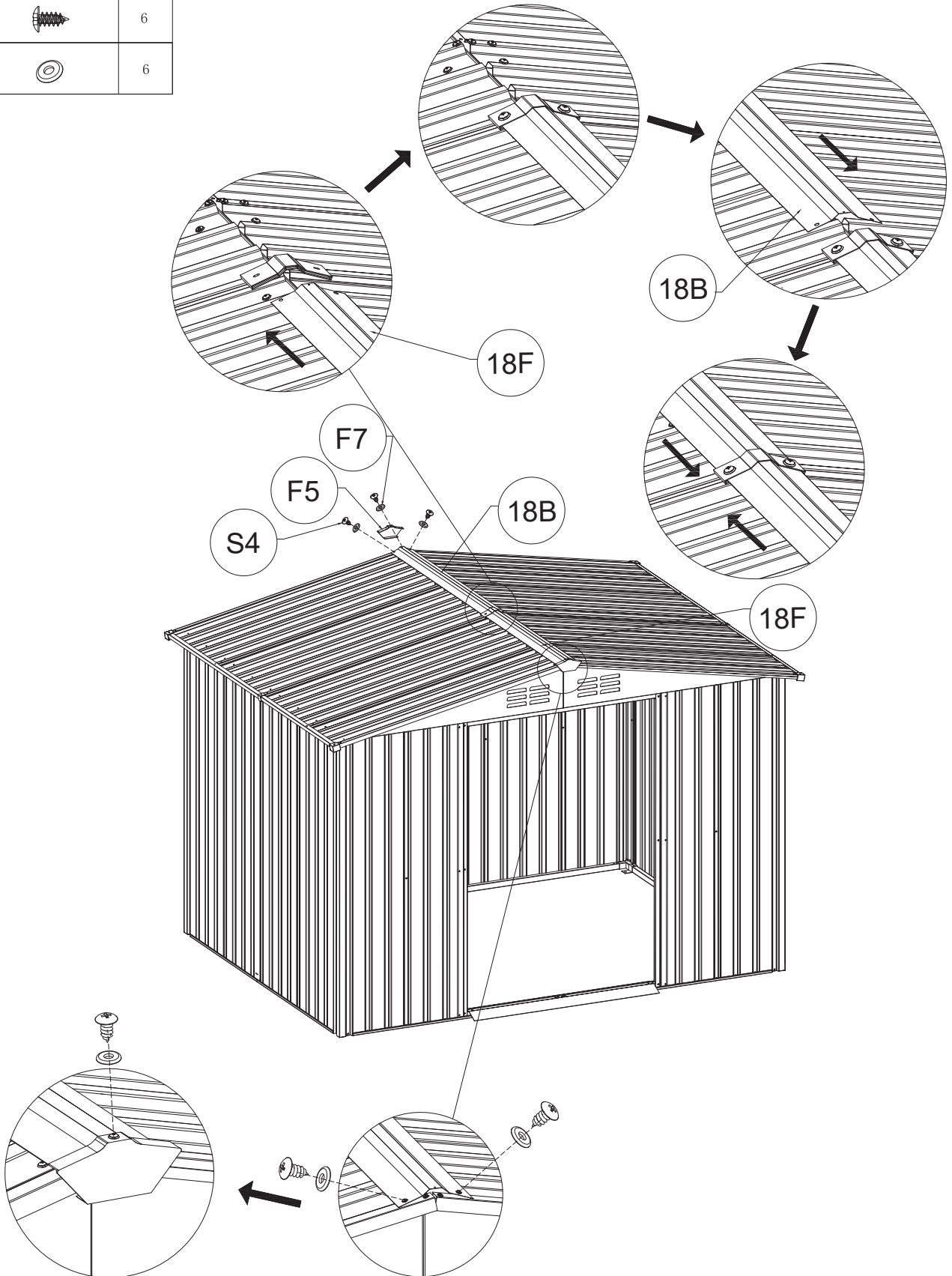
**STEP 30:** Attach the cap(F8) to the self-tapping screw.



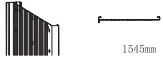







# Installation steps

NO	PART	QTY
18F	 858mm	1
18B	 1072mm	1
F5		2
S4		6
F7		6

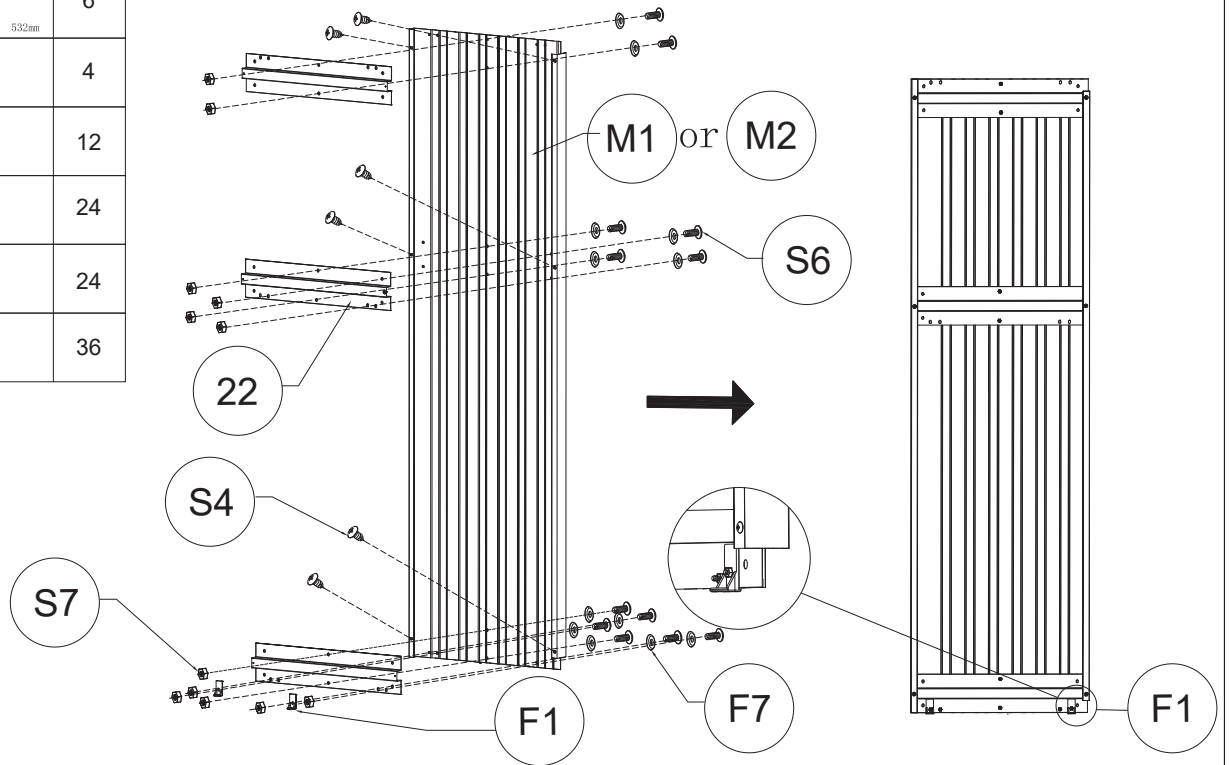
**STEP 31:** Insert the cover plate(18F,18B) into the F18 and lock the screws. Then screw plastic part(F5) to the cover plate.

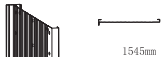






# Installation steps

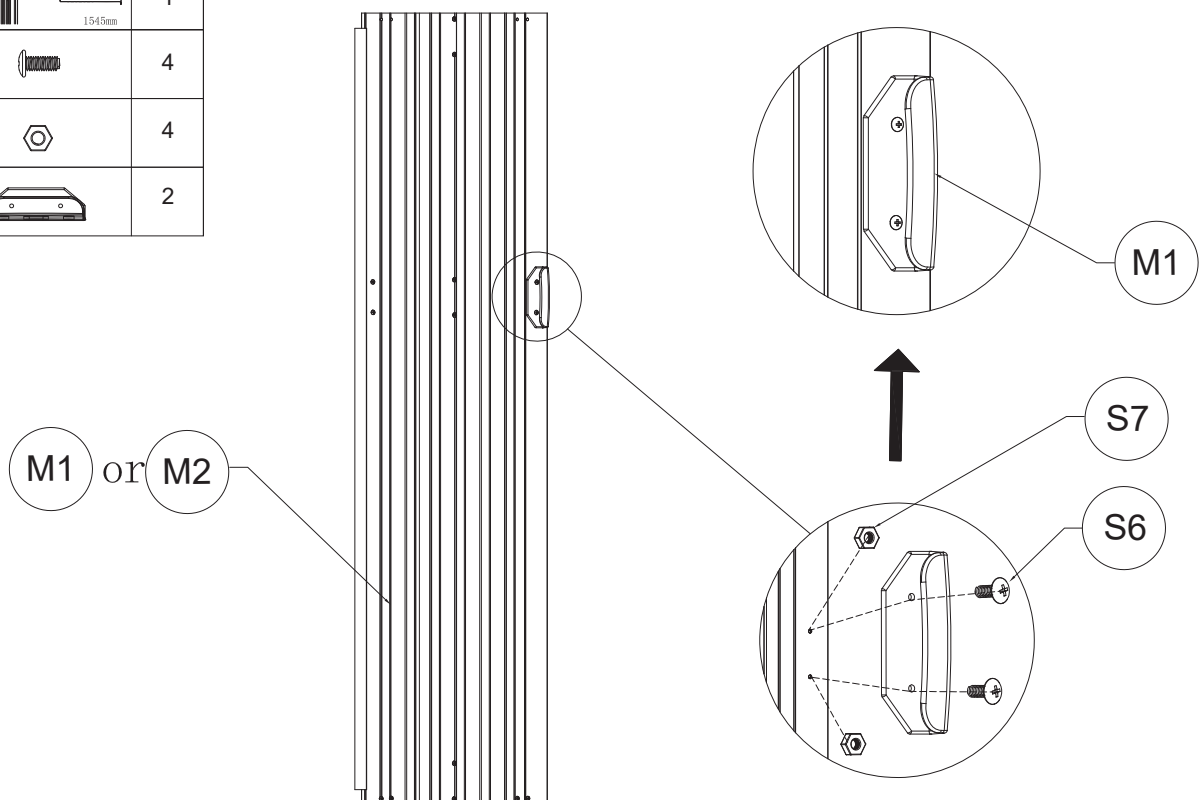
NO	PART	QTY
M1	 1545mm	1
M2	 1545mm	1
22	 532mm	6
F1		4
S4		12
S6		24
S7		24
F7		36

**STEP 32:** Mount inside door transom (22) on the door panel (M1, M2), then mount the "L" shaped plastic part (F1) on the bottom of the door panel and secure it with screws (S6) and nuts (S7).  
**NOTE:** Nut mounted inside the door panel.




NO	PART	QTY
M1	 1545mm	1
M2	 1545mm	1
S6		4
S7		4
F2		2

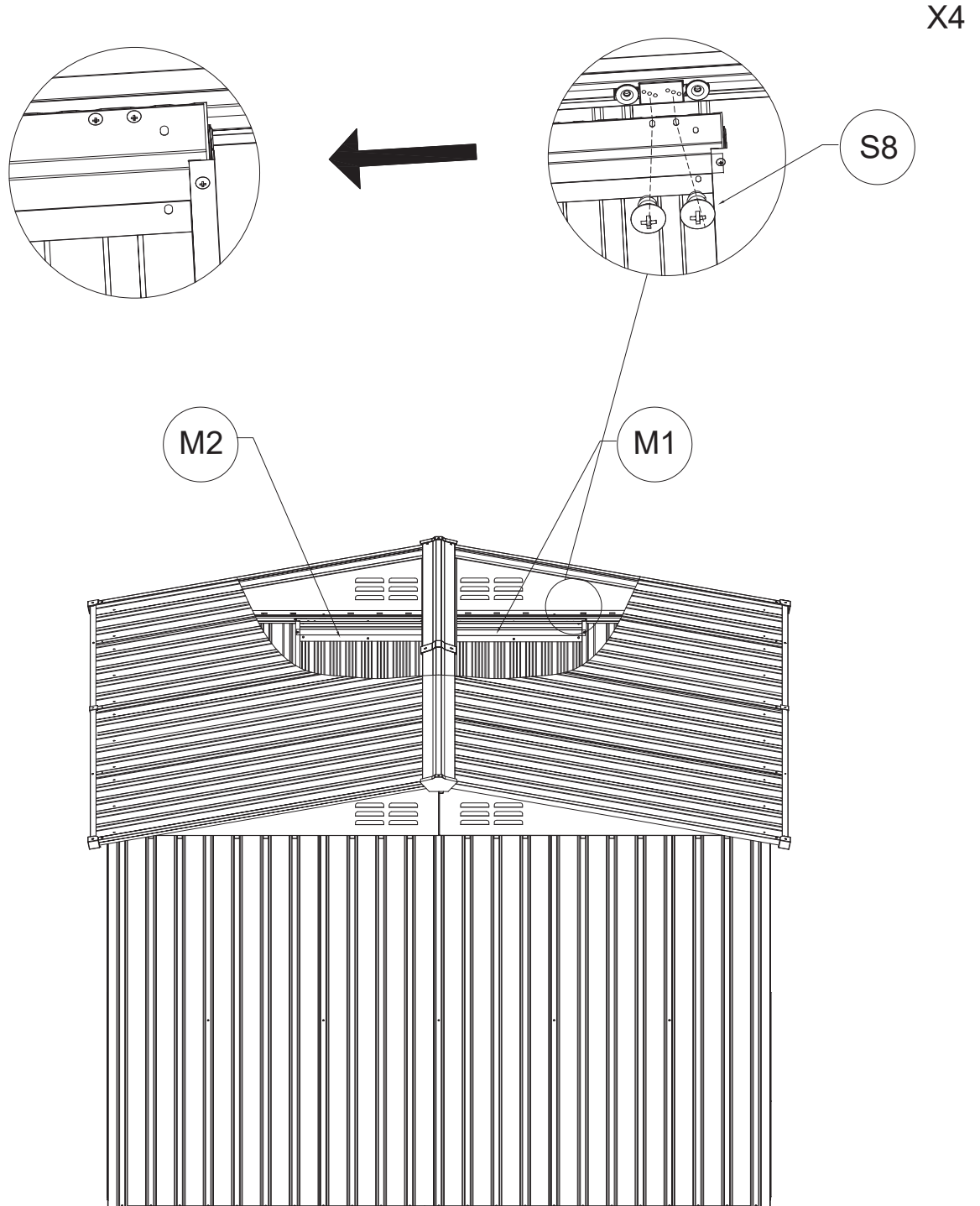
**STEP 33:** Fix the door handle (F2) to the door panel (M1, M2) with screws (S6) and nuts (S7).  
**NOTE:** Pay attention to the direction of the door handle.




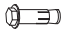
# Installation steps

NO	PART	QTY
S8		8

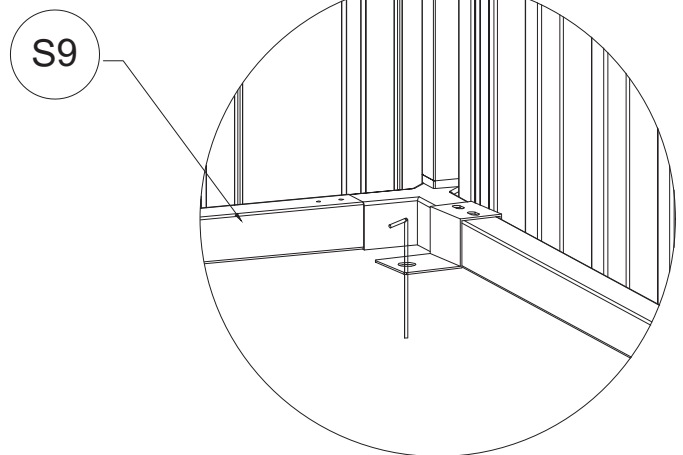
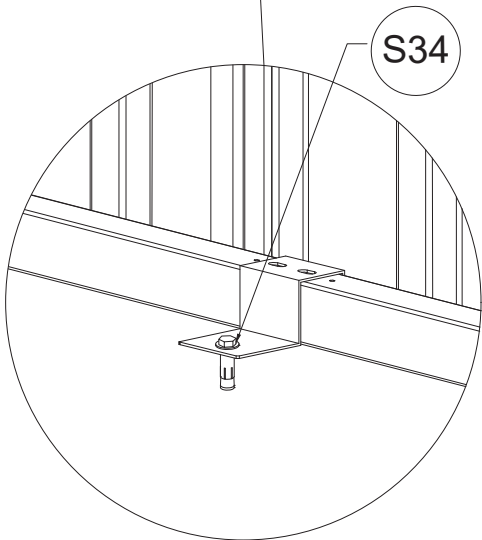
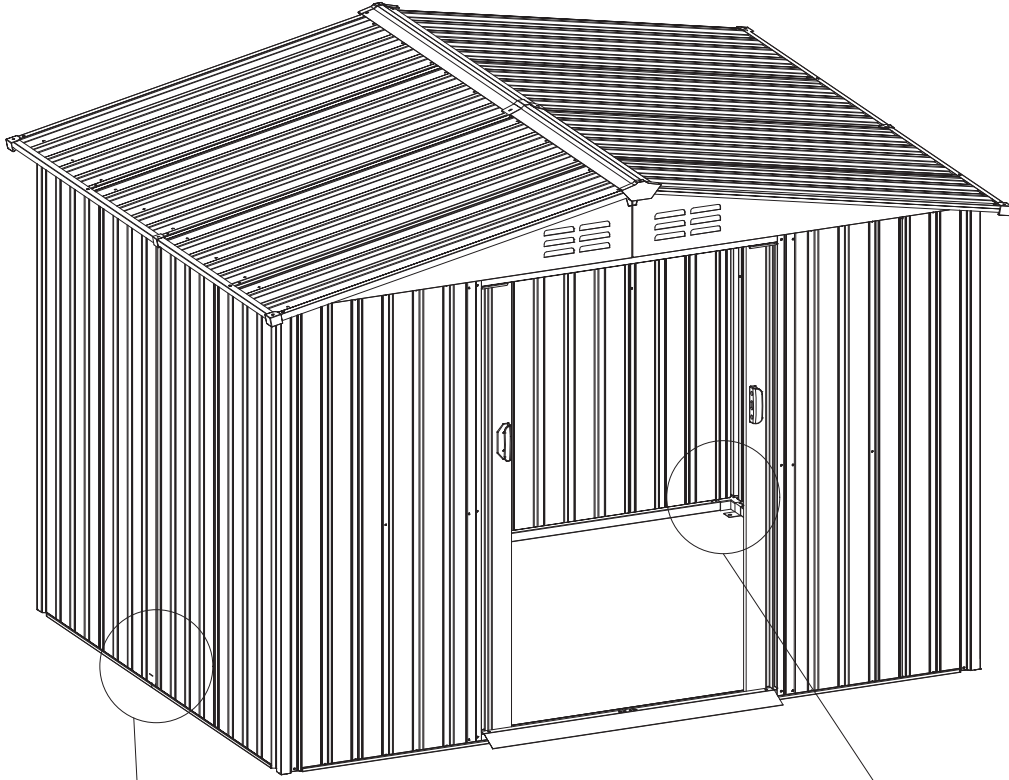
**STEP 34:** Insert the lower part of the door panel (M1,M2) into the slide groove at the bottom of the door frame and fix the upper part to the plastic pulley at the top of the door frame and lock it with screws(S8).



# Installation steps

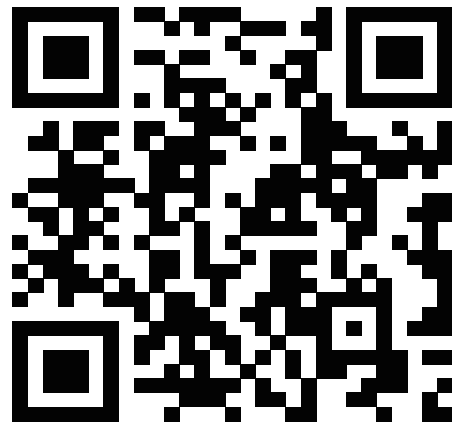
NO	PART	QTY
S9		4
S34	 M6X50mm	7

**STEP 35:** Secure the tool shed to the floor by attaching floor spikes(S9,S34) from the inside.



The screws of the M6X50 must be hit at the joint of the floor beam to make it stronger





[www.alaulm.com](http://www.alaulm.com)

Make your life much better.