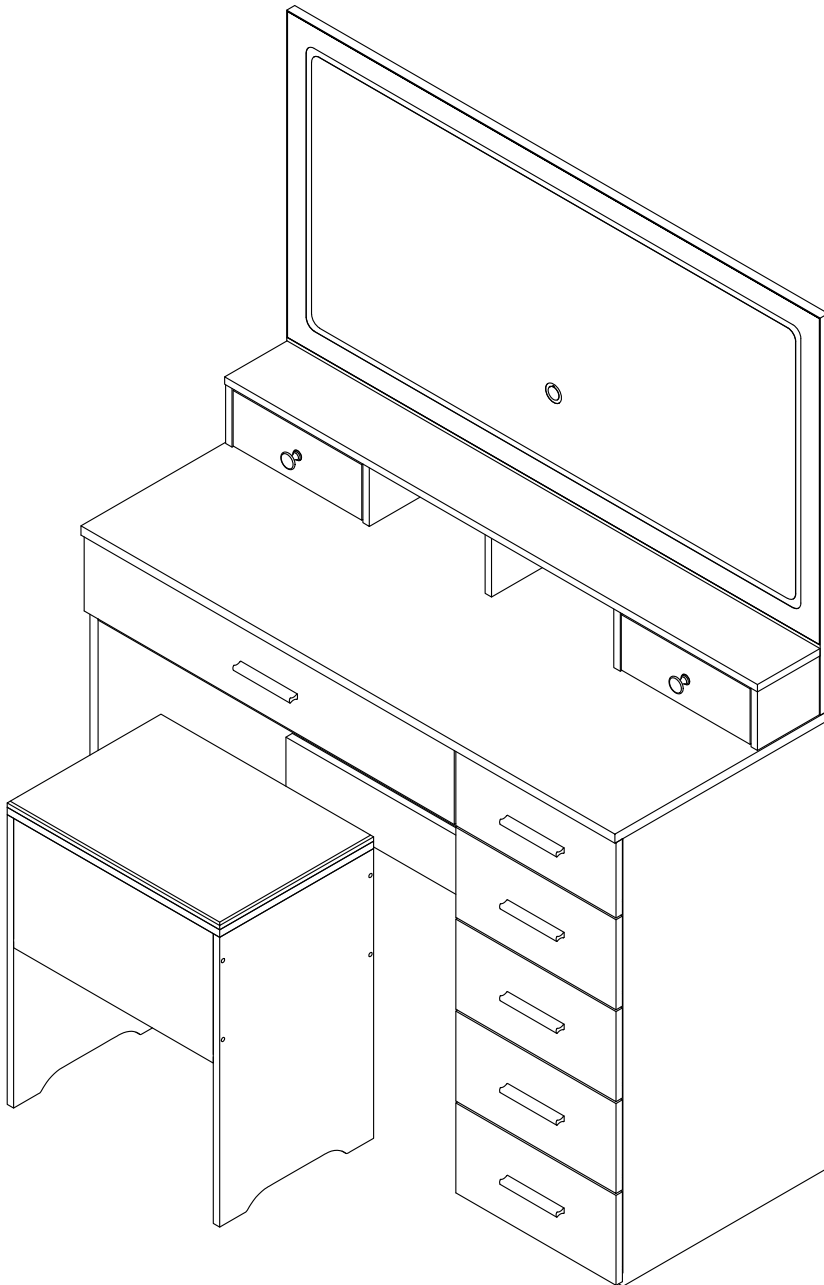
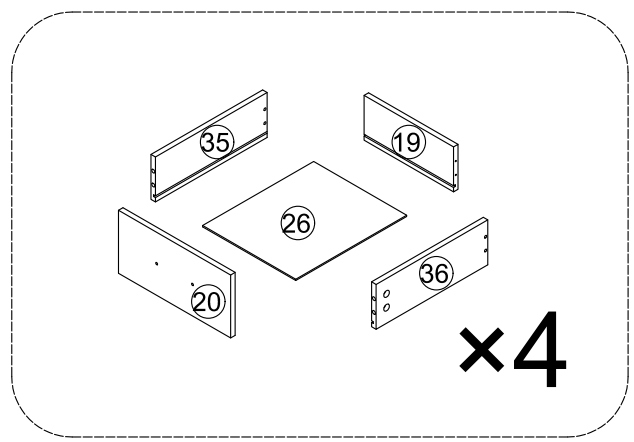
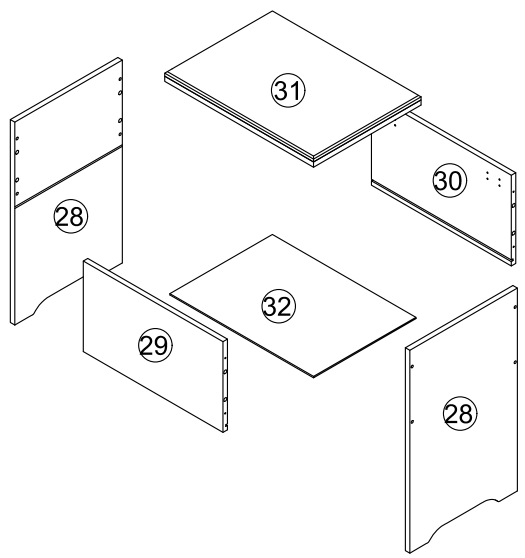
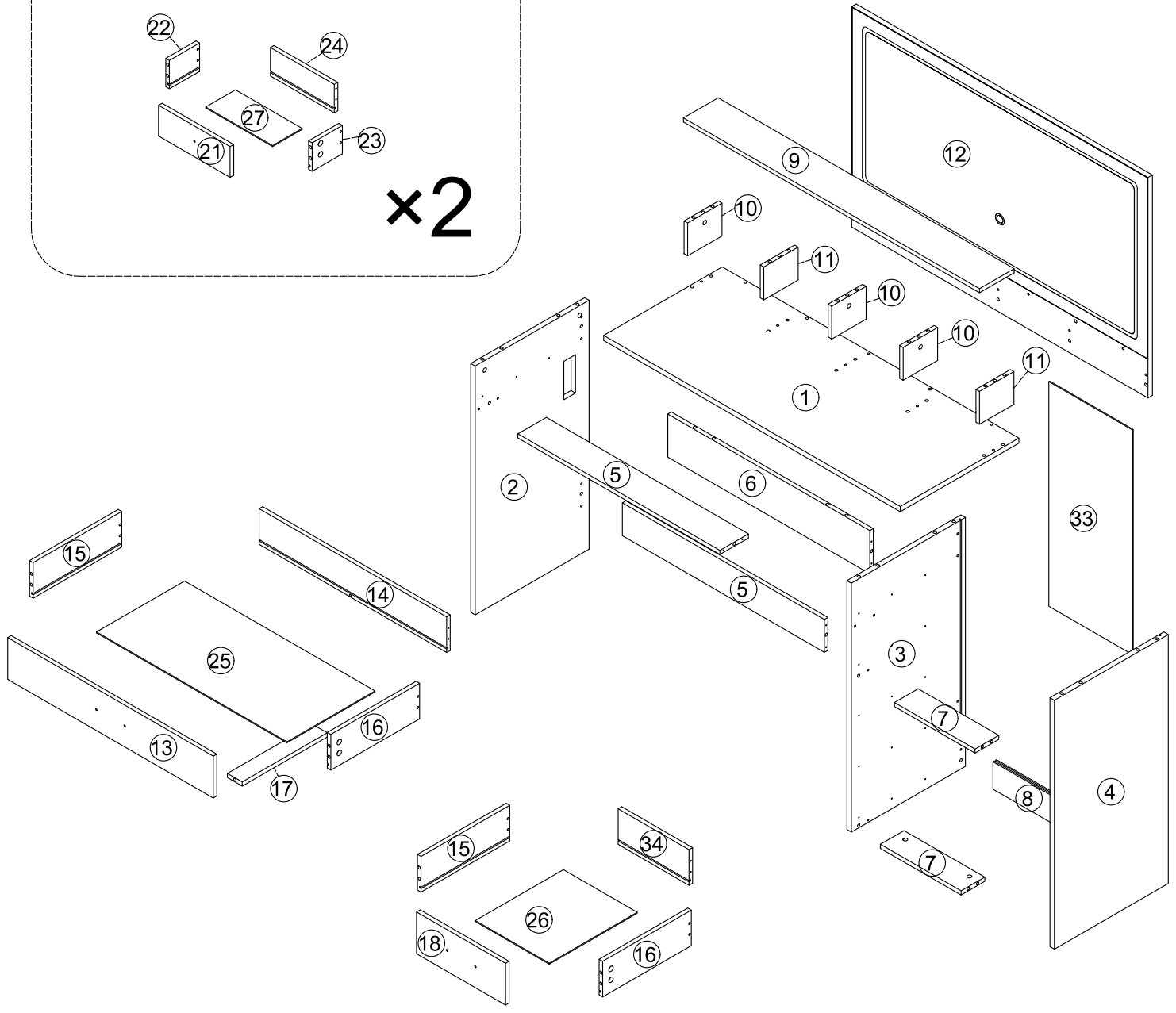
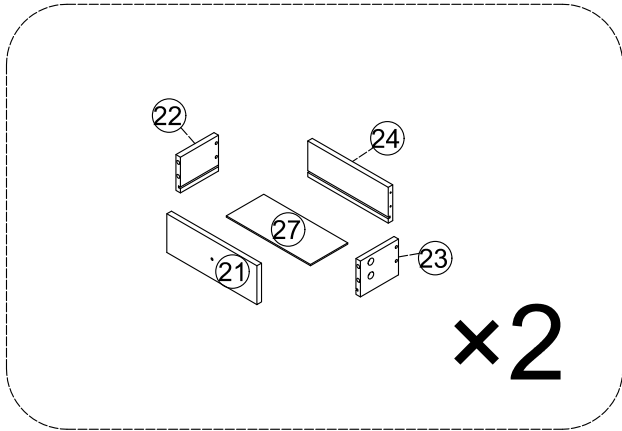
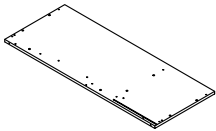
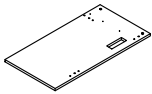
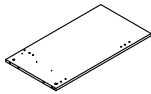
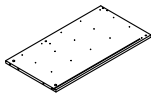

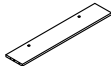
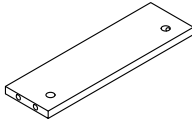
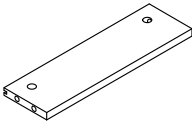
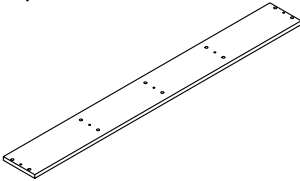
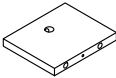
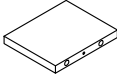
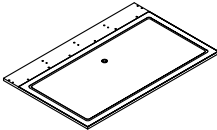
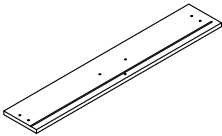
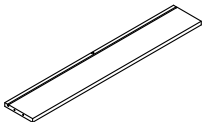
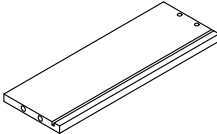
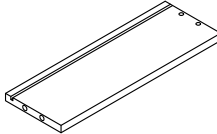
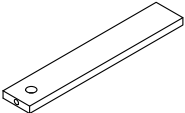
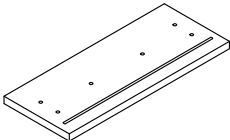
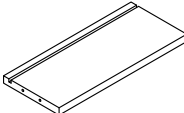
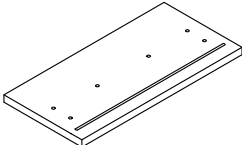
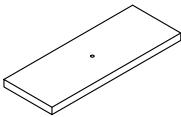
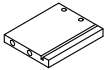
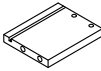
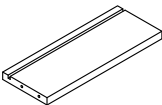
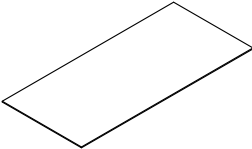
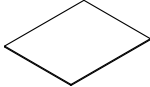
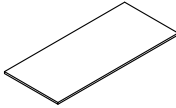
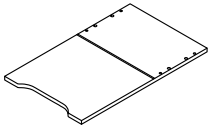
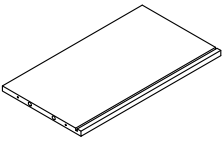
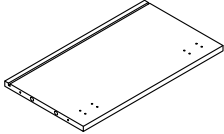
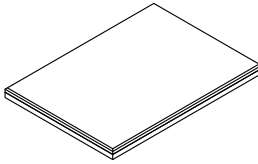
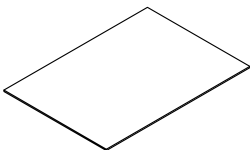
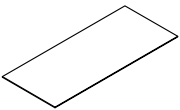
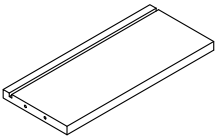
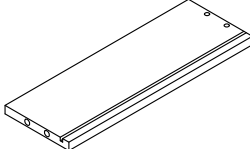
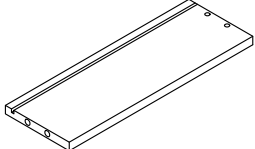









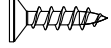



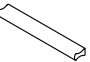
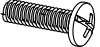


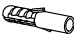







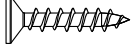


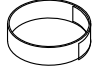

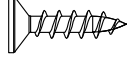
HK-JCS-20



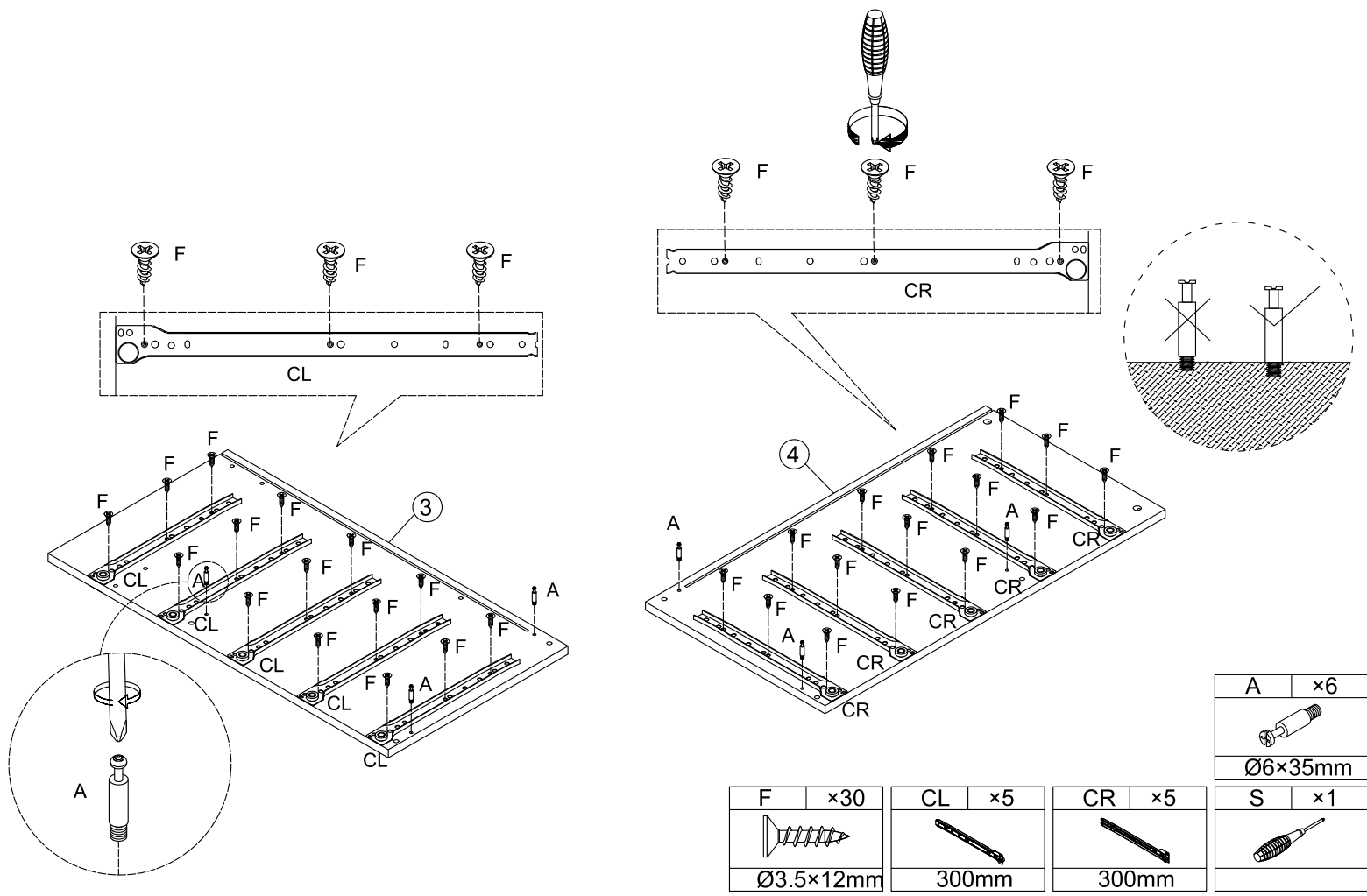


① ×1 	② ×1 	③ ×1 	④ ×1 
⑤ ×2 	⑥ ×1 	⑦ ×2 	⑧ ×1 
⑨ ×1 	⑩ ×3 	⑪ ×2 	⑫ ×1 
⑬ ×1 	⑭ ×1 	⑮ ×2 	⑯ ×2 
⑰ ×1 	⑱ ×1 	⑲ ×4 	⑳ ×4 
㉑ ×2 	㉒ ×2 	㉓ ×2 	㉔ ×2 
㉕ ×1 	㉖ ×5 	㉗ ×2 	㉘ ×2 
㉙ ×1 	㉚ ×1 	㉛ ×1 	㉜ ×1 
㉝ ×1 	㉞ ×1 	㉟ ×4 	㊱ ×4 

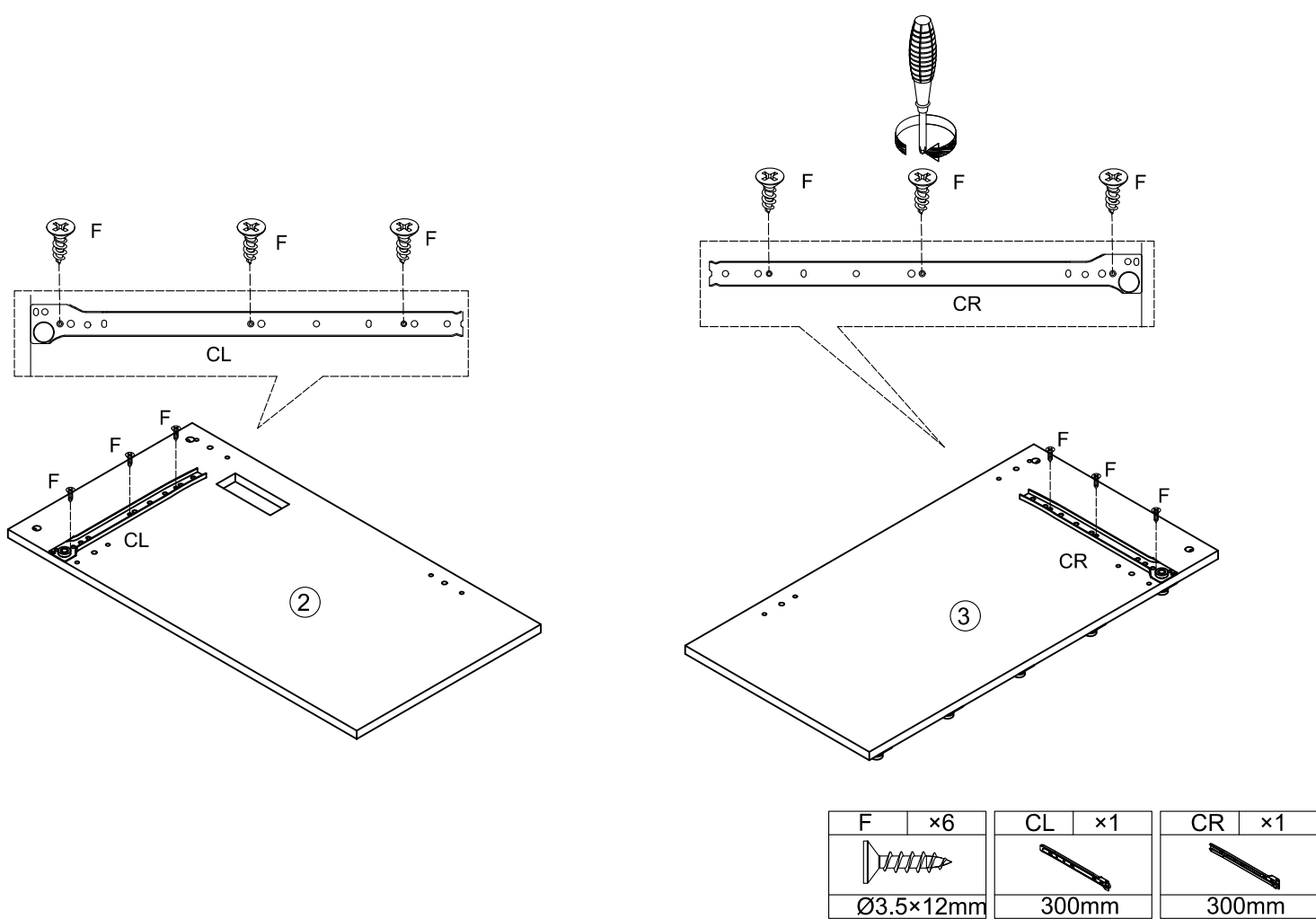
Hardware

A	x52	B	x52	C	x49	D	x56	E	x2	F	x64
											
Ø6×35mm		Ø15×9.5mm		Ø6×30mm		Ø4×35mm				Ø3.5×12mm	
G	x1	H	x1	I	x19	J	x6	K	x16	L	x2
											
				Ø5×40mm				Ø4×16mm		26×9.5mm	
M	x2	N	x2	O	x4	P	x8	CL	x6	CR	x6
											
Ø4×14mm								300mm		300mm	
DL	x6	DR	x6	Q	x8	R	x6	S	x1	T	x4
											
300mm		300mm		Ø3×14mm							
U	x8	V	x14								
											
Ø8×30mm		Ø4×12mm									

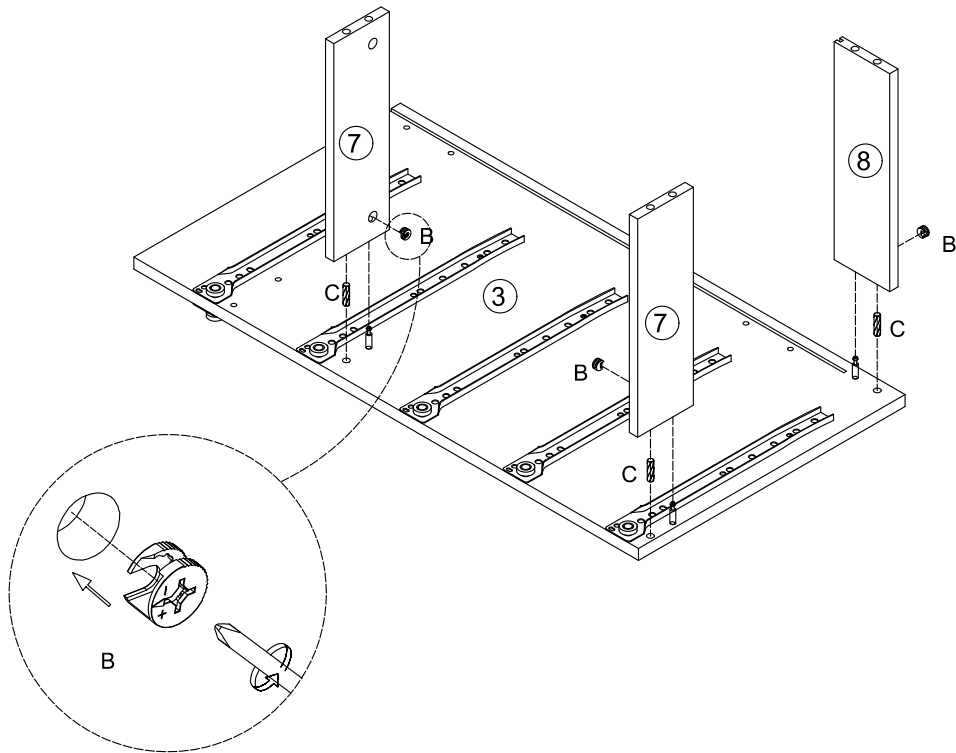
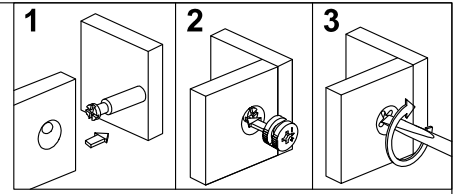
1





2

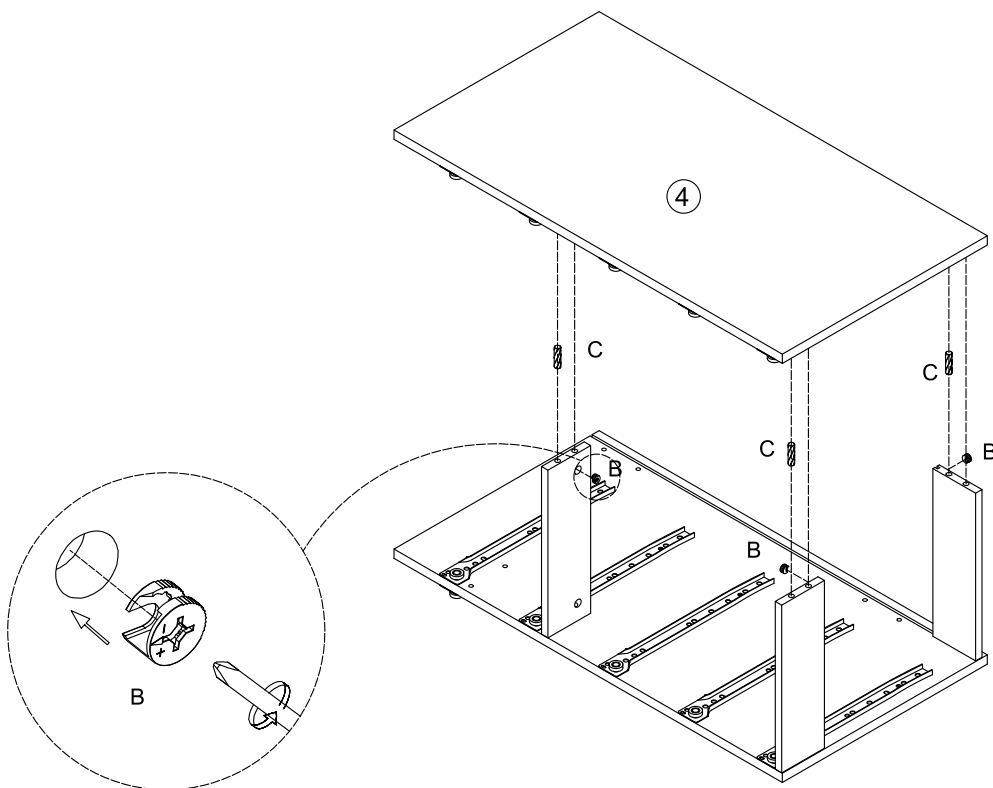
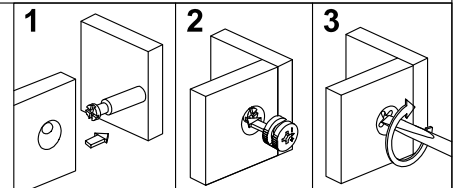




3



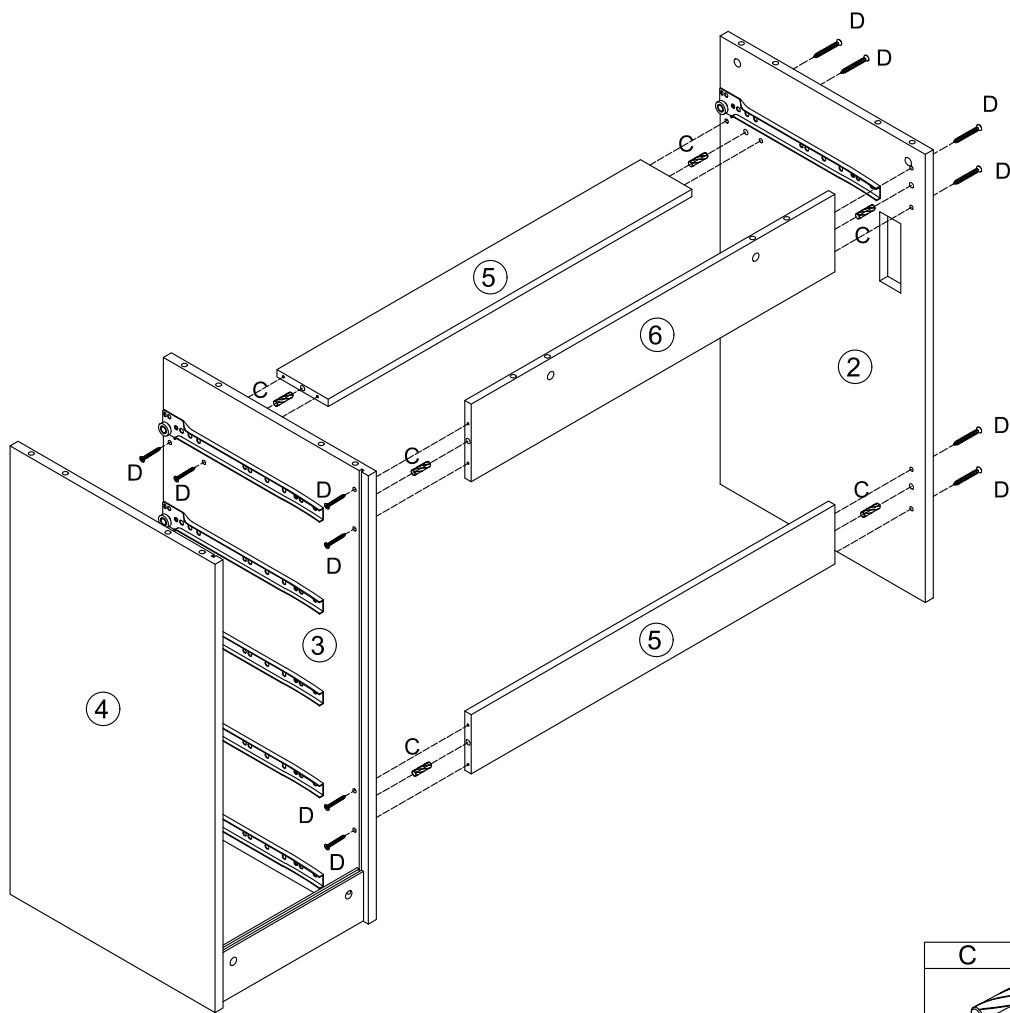
B	x3	C	x3
			
Ø15×9.5mm		Ø6×30mm	

4



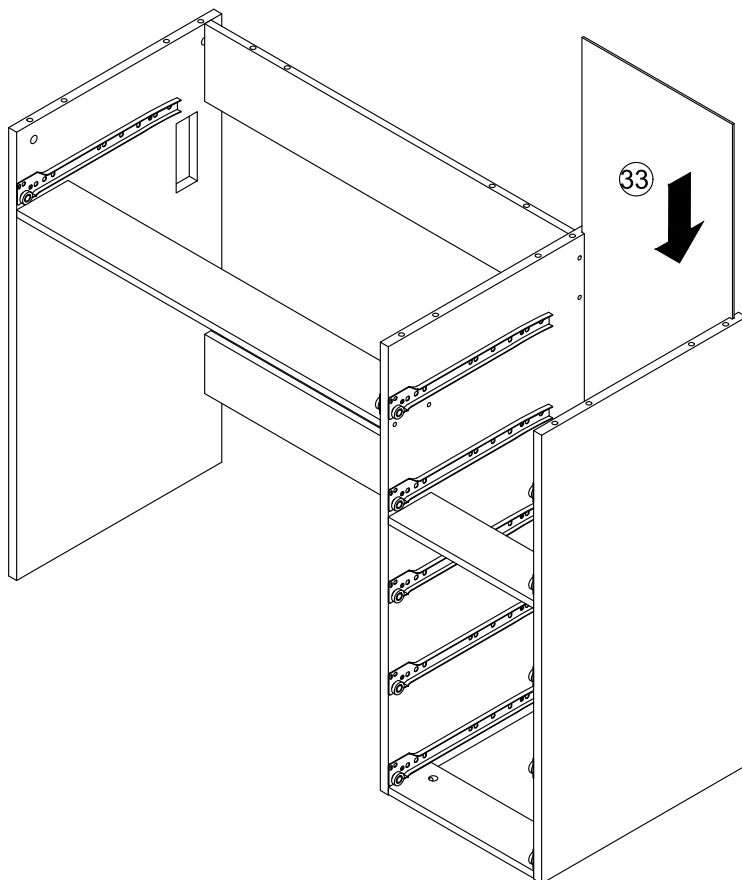
B	x3	C	x3
			
Ø15×9.5mm		Ø6×30mm	

5

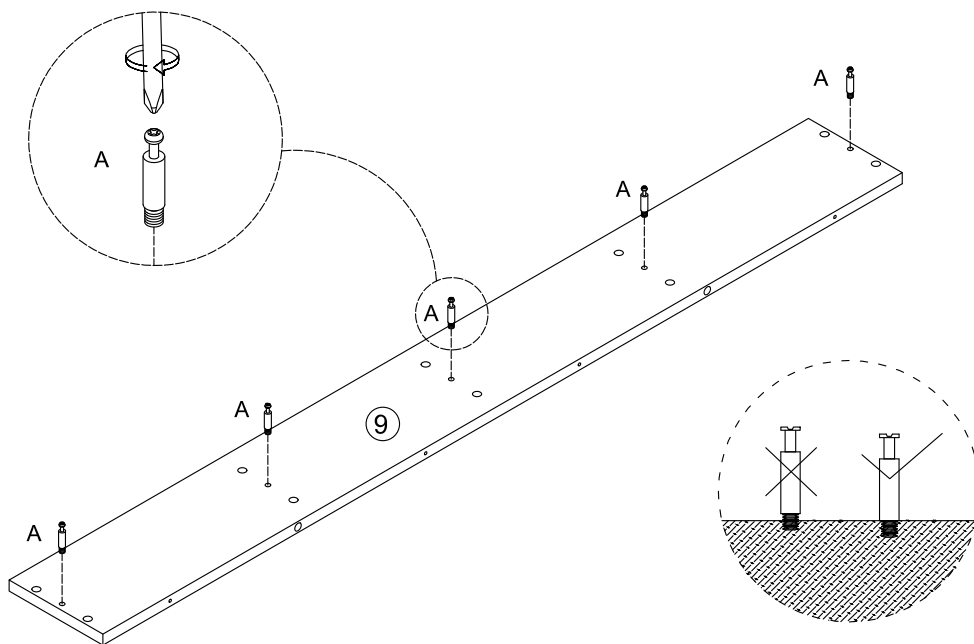



C	×6	D	×12
Ø6×30mm		Ø4×35mm	

6

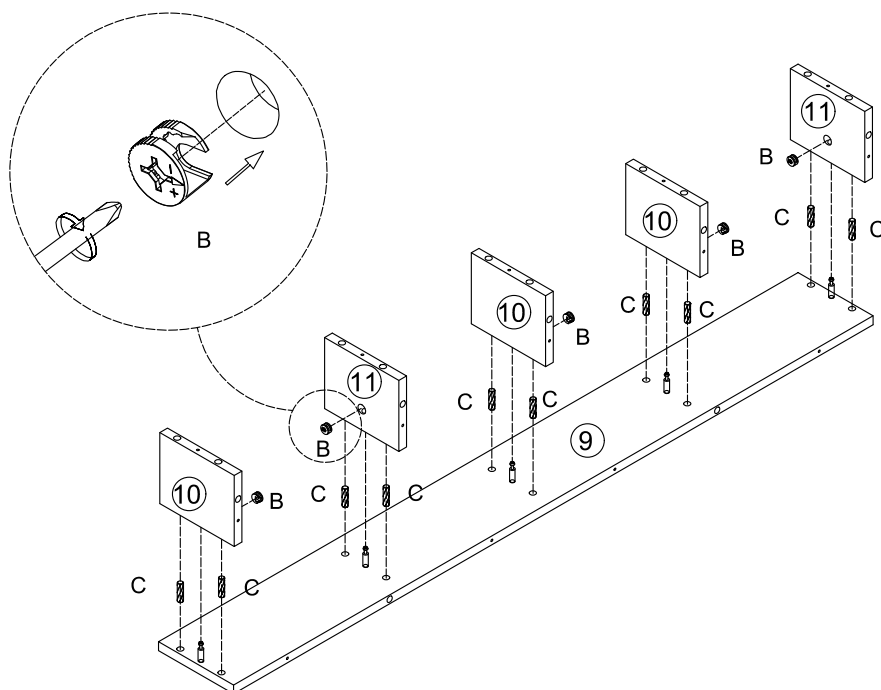
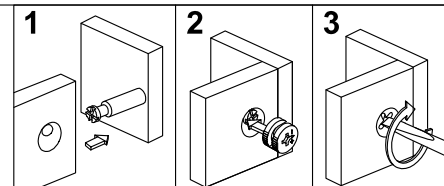




7



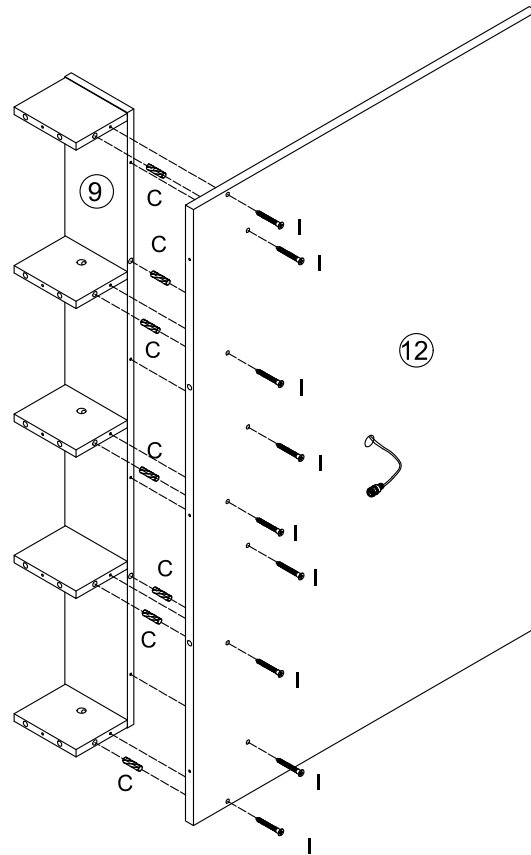
A	x5
	
$\text{Ø}6 \times 35\text{mm}$	

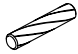
8




B	x5	C	x10
			
$\text{Ø}15 \times 9.5\text{mm}$		$\text{Ø}6 \times 30\text{mm}$	

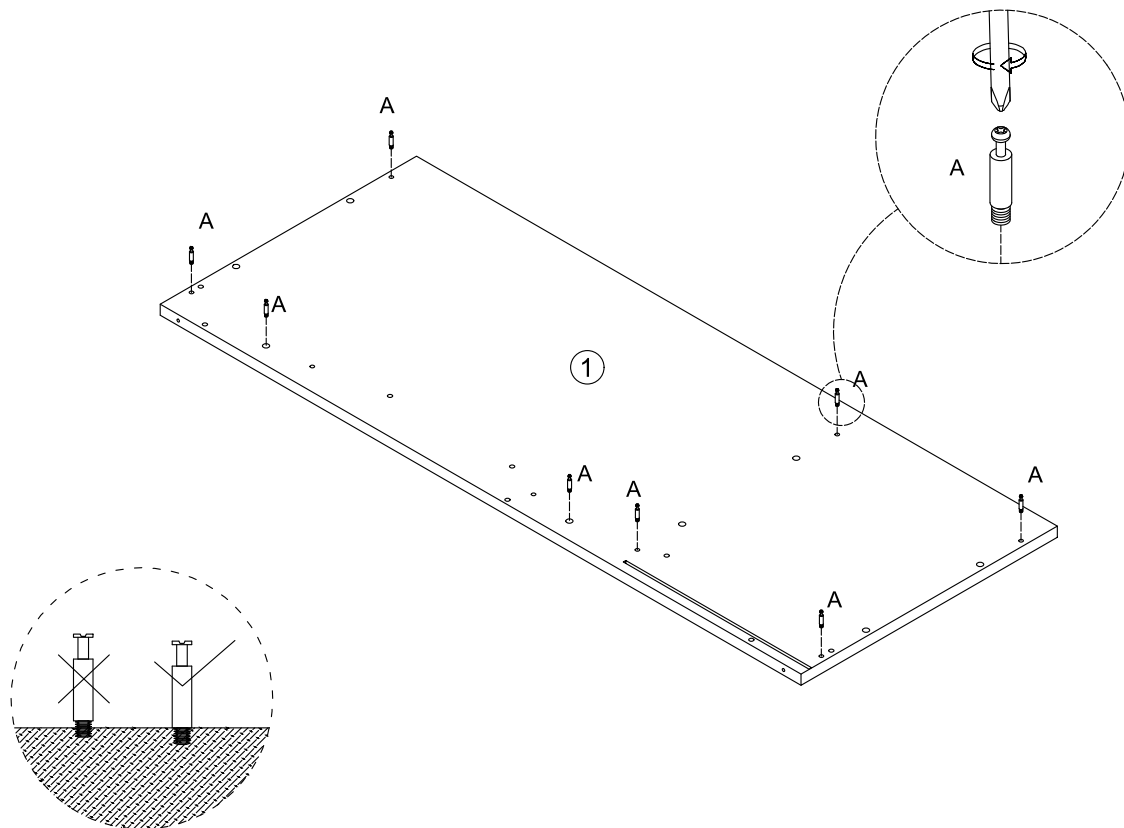
9




C	x7
	
Ø6x30mm	

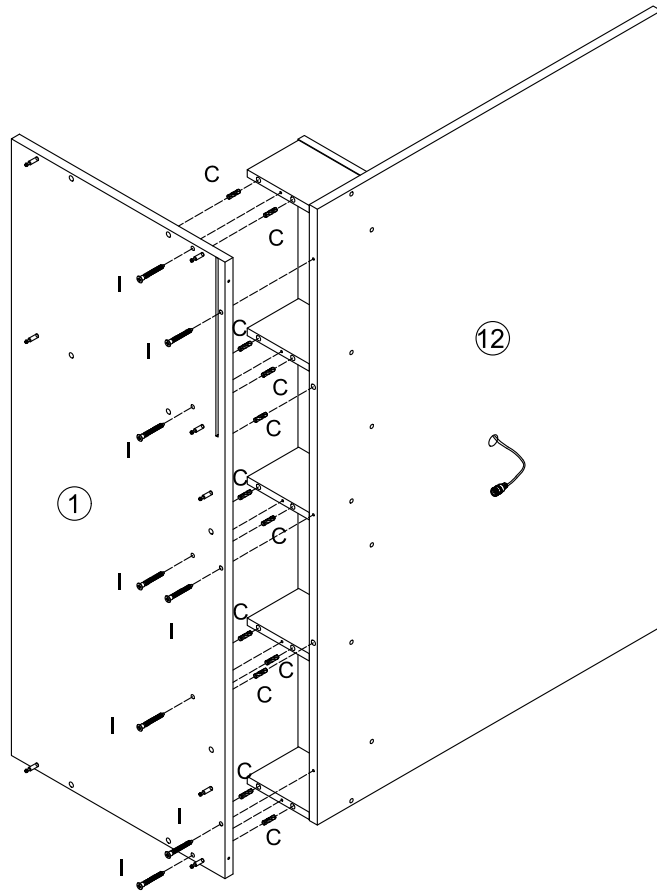
I	x9
	
Ø5x40mm	



10



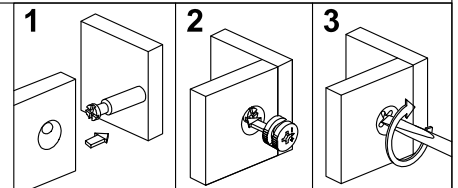
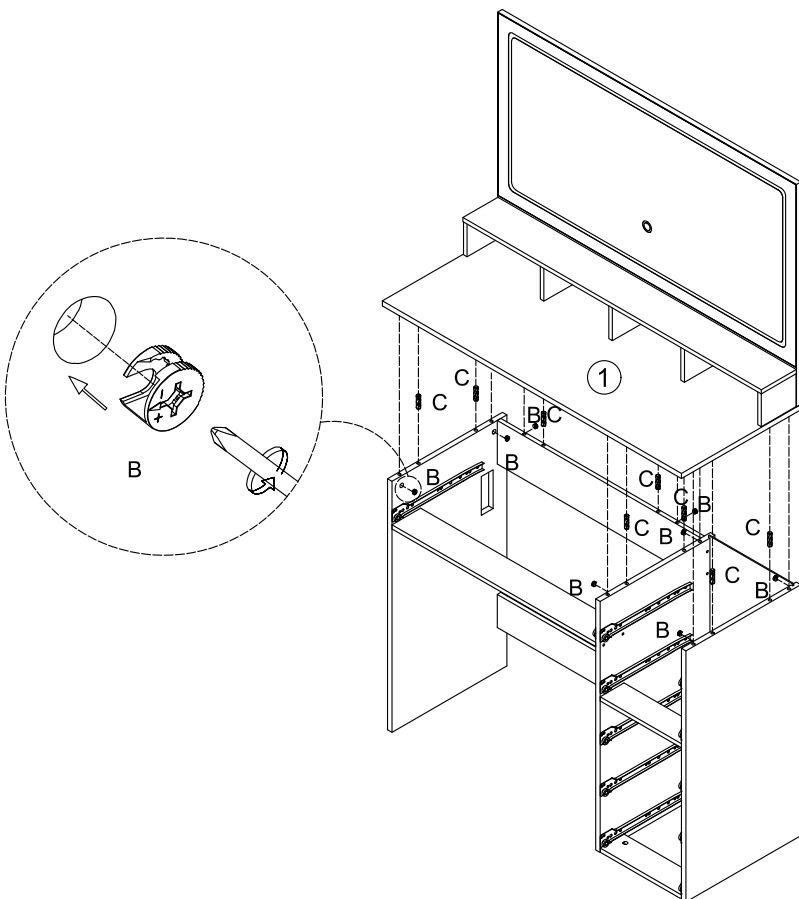
A	x8
	
Ø6x35mm	



11



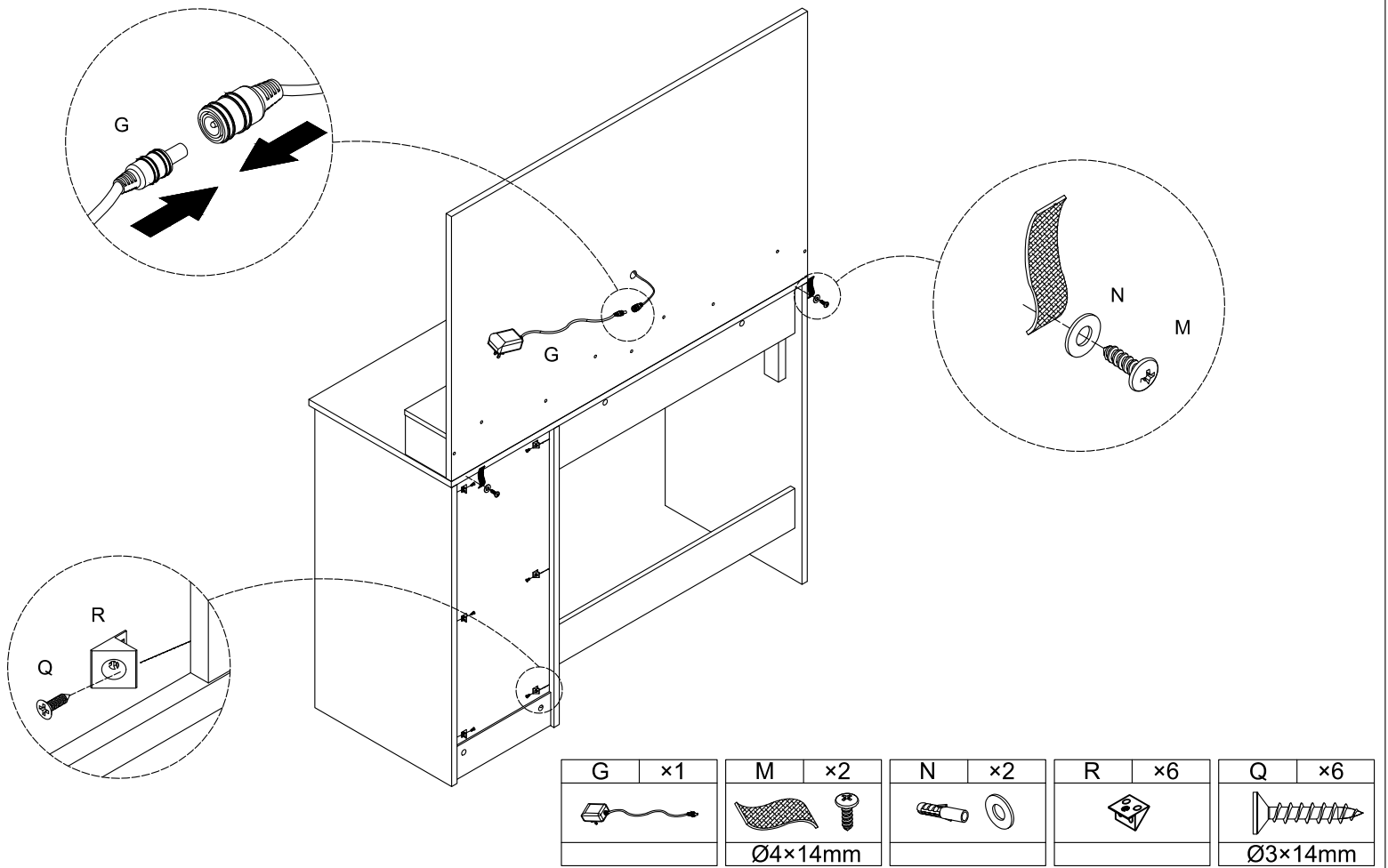
C	×12	I	×8
			
Ø6×30mm		Ø5×40mm	

12

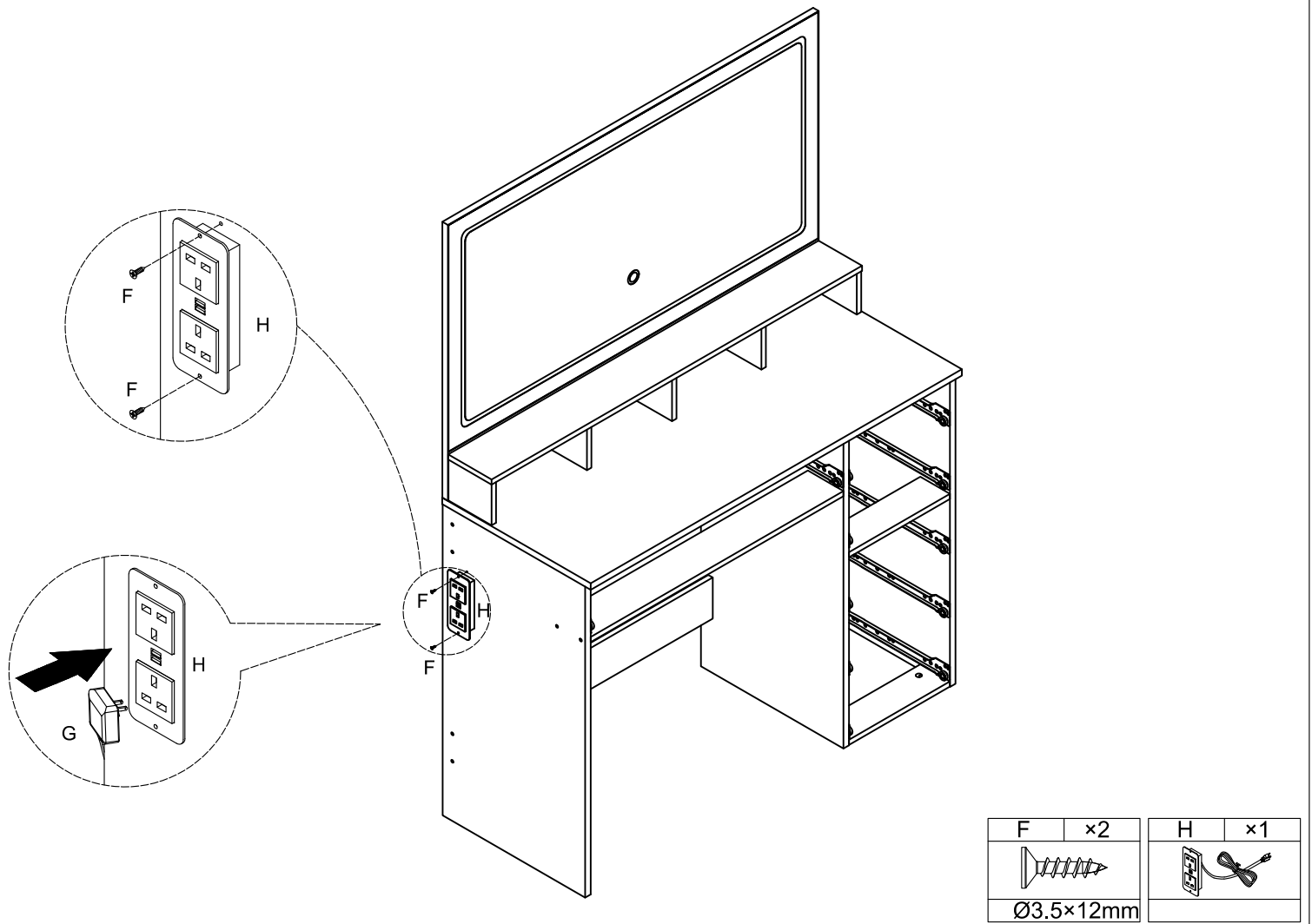


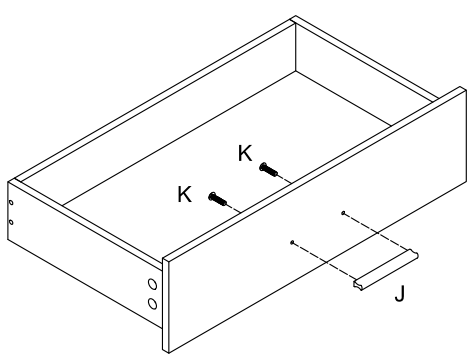
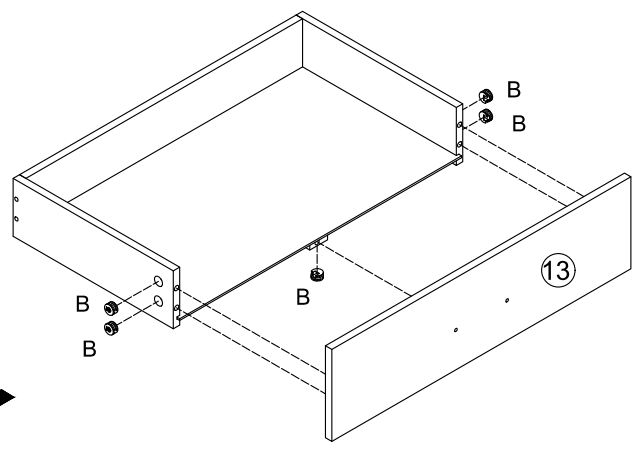
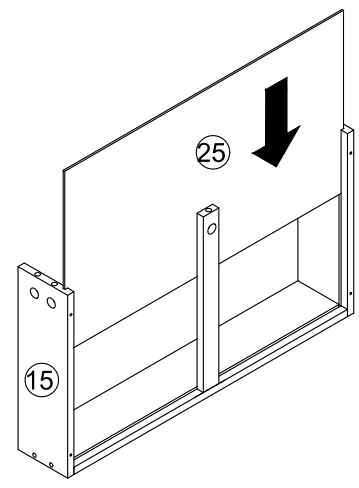
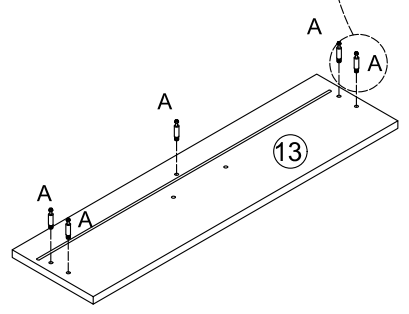
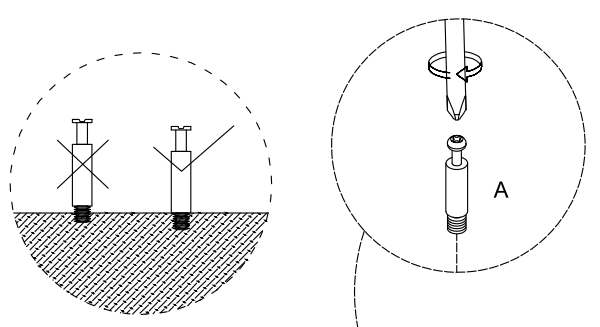
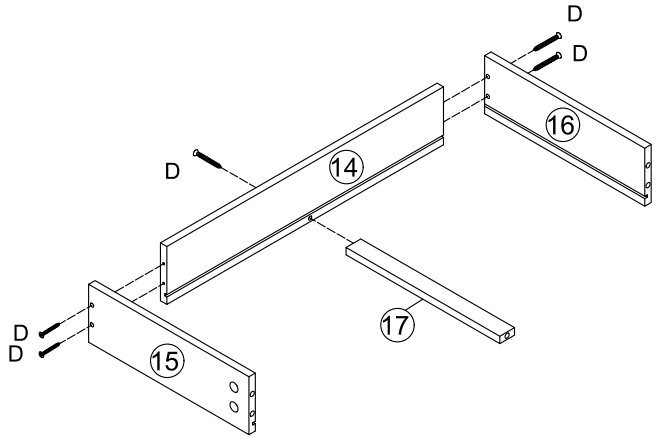
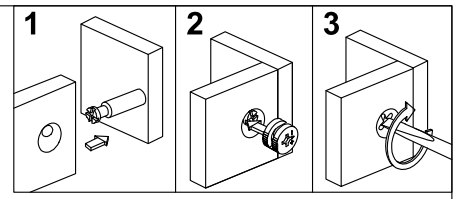
B	×8	C	×8
			
Ø15×9.5mm		Ø6×30mm	

13

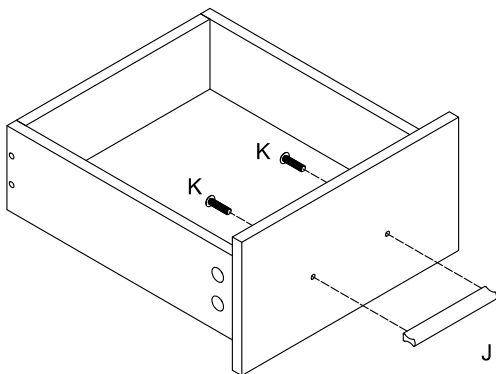
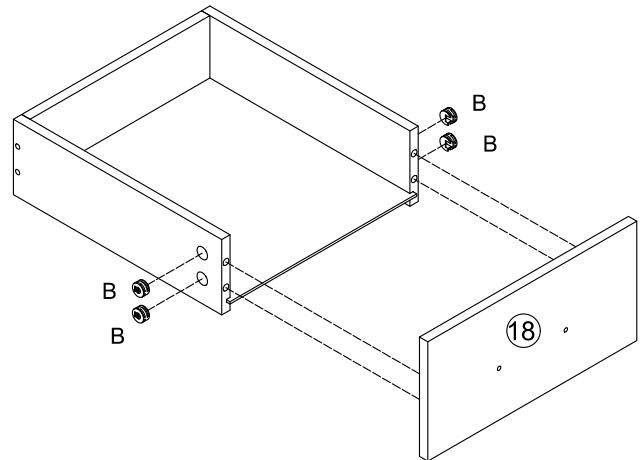
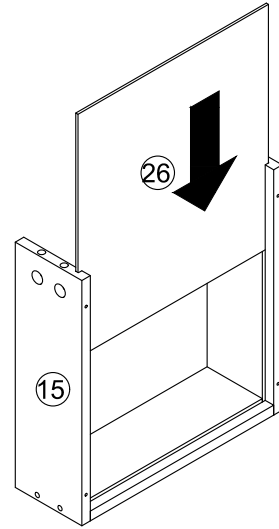
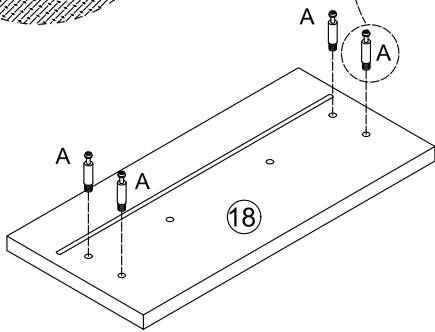
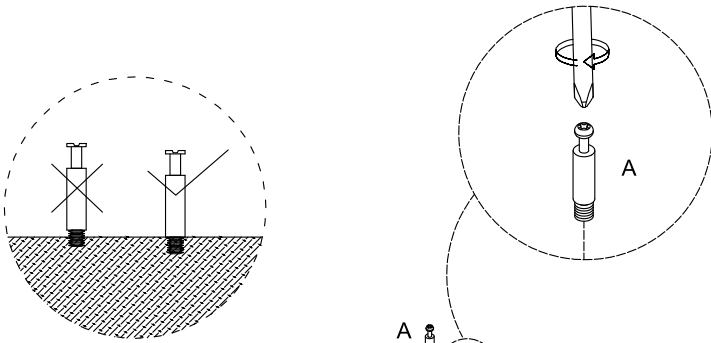
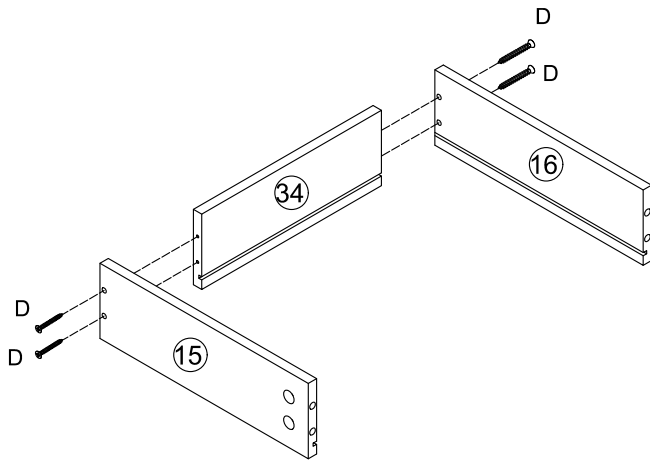
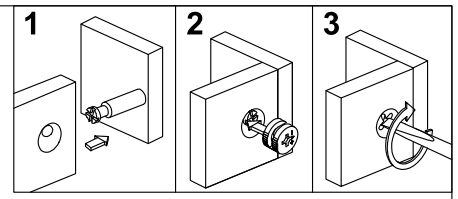





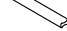

14



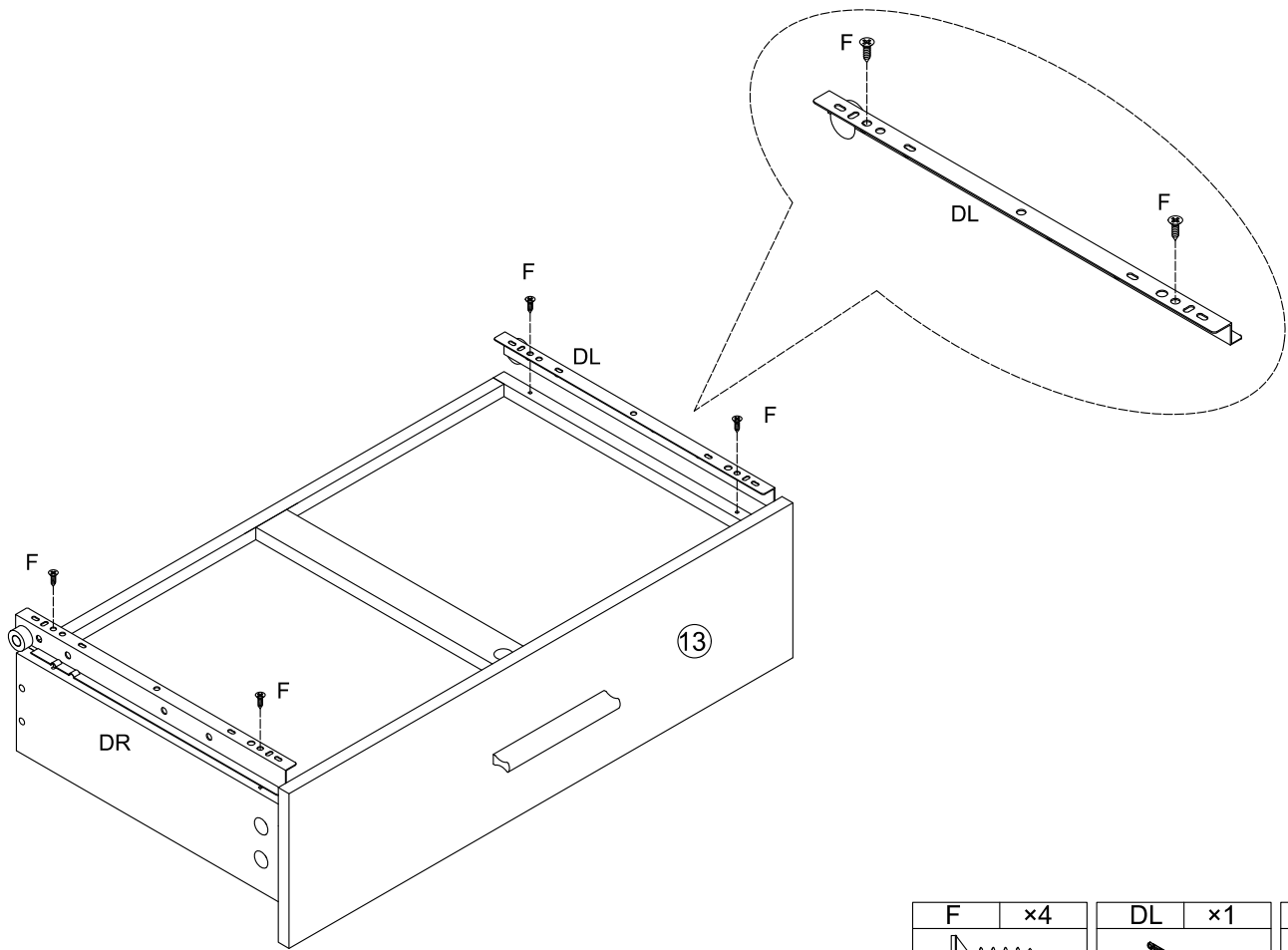





A	x5	B	x5	D	x5	J	x1	K	x2
Ø6×35mm		Ø15×9.5mm		Ø4×35mm				Ø4×16mm	



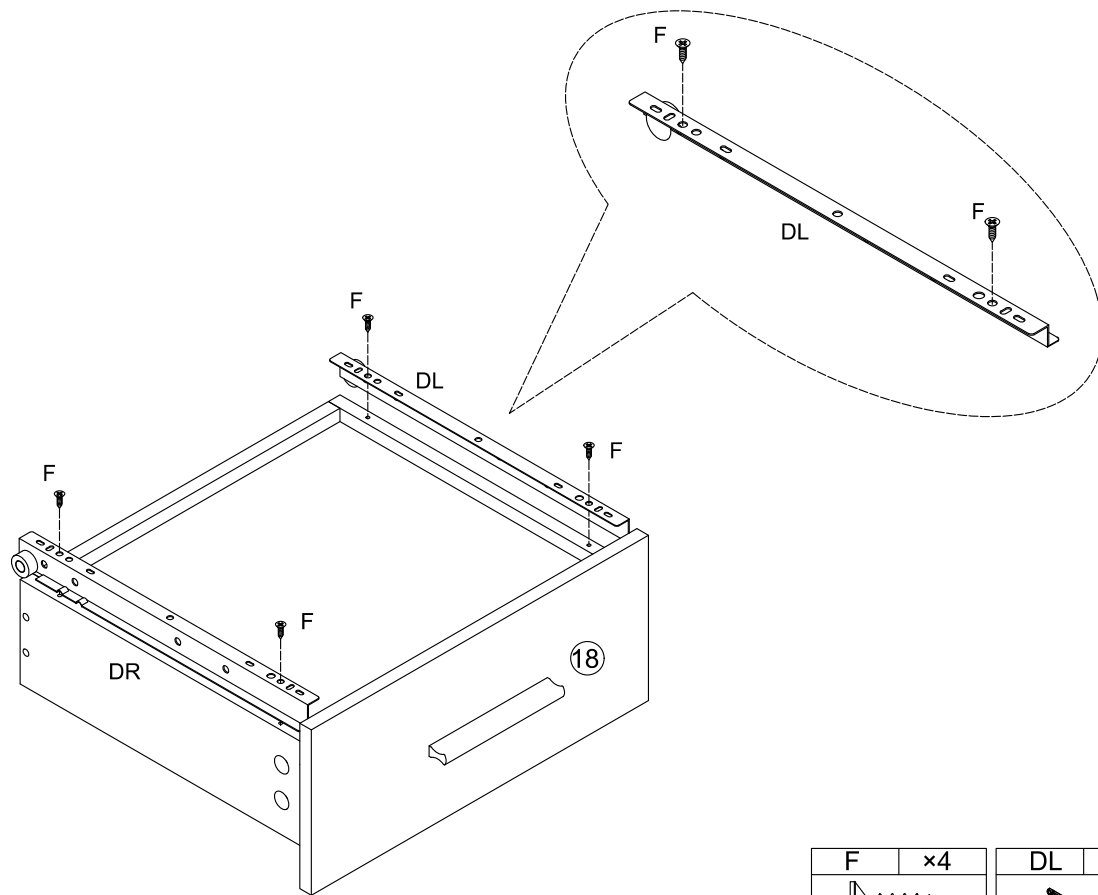
A	x4	B	x4	D	x4	J	x1	K	x2
									
Ø6×35mm		Ø15×9.5mm		Ø4×35mm				Ø4×16mm	

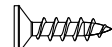


17



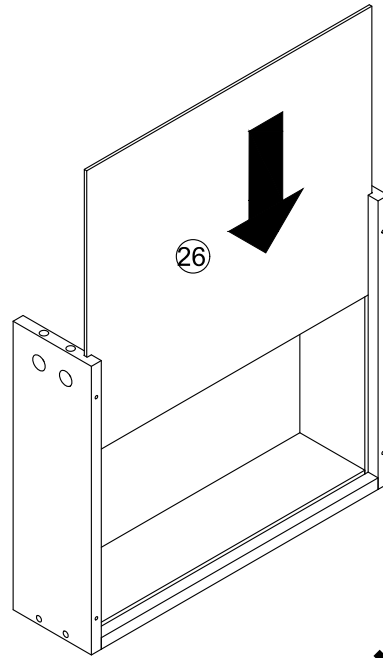
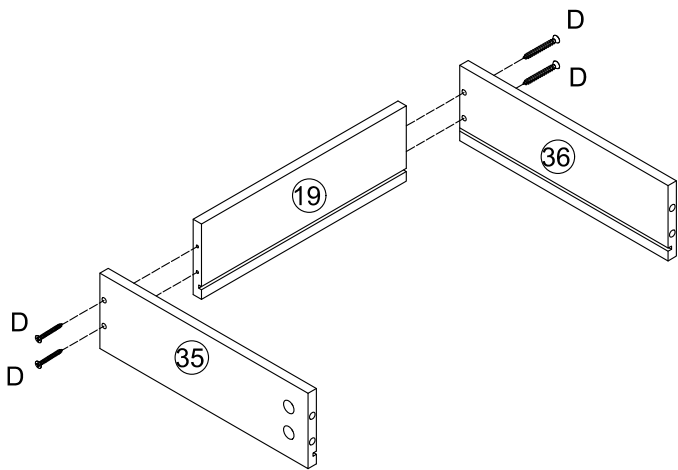
F	x4	DL	x1	DR	x1
					
Ø3.5×12mm		300mm		300mm	

18




F	x4	DL	x1	DR	x1
					
Ø3.5×12mm		300mm		300mm	

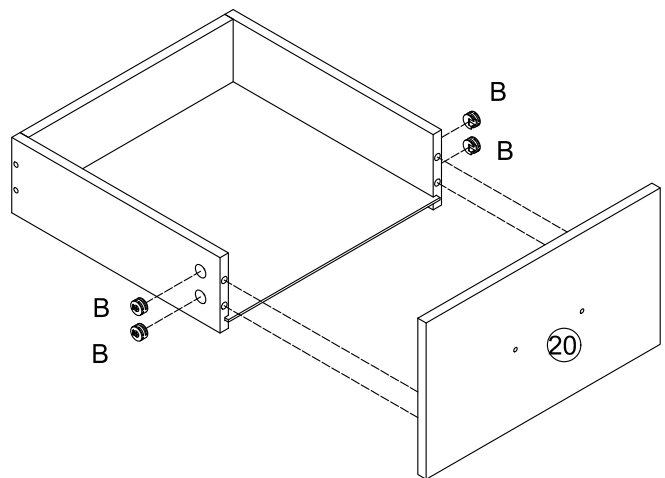
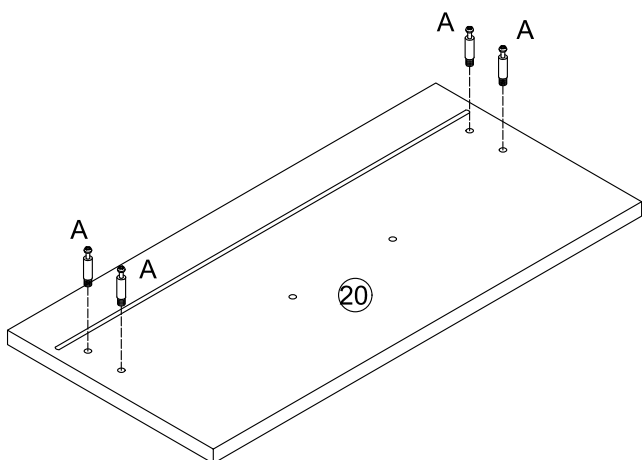
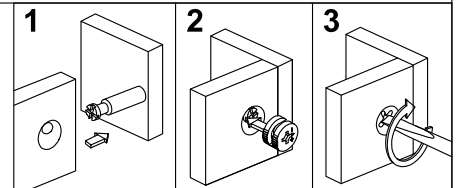
19



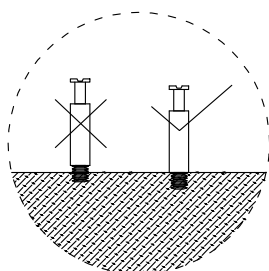
×4



D	×16
	
Ø4×35mm	

20

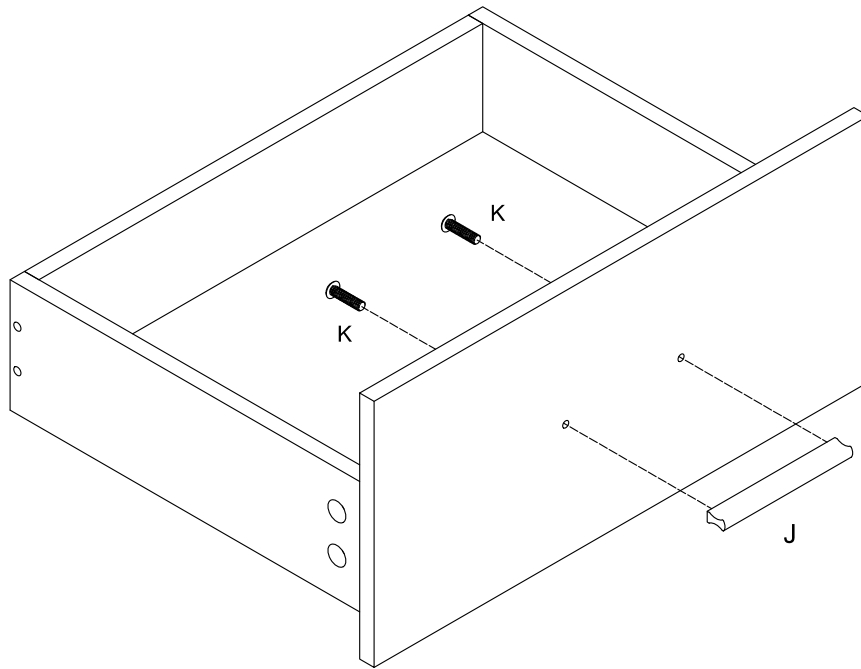


×4

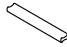



A	×16	B	×16
			
Ø6×35mm		Ø15×9.5mm	

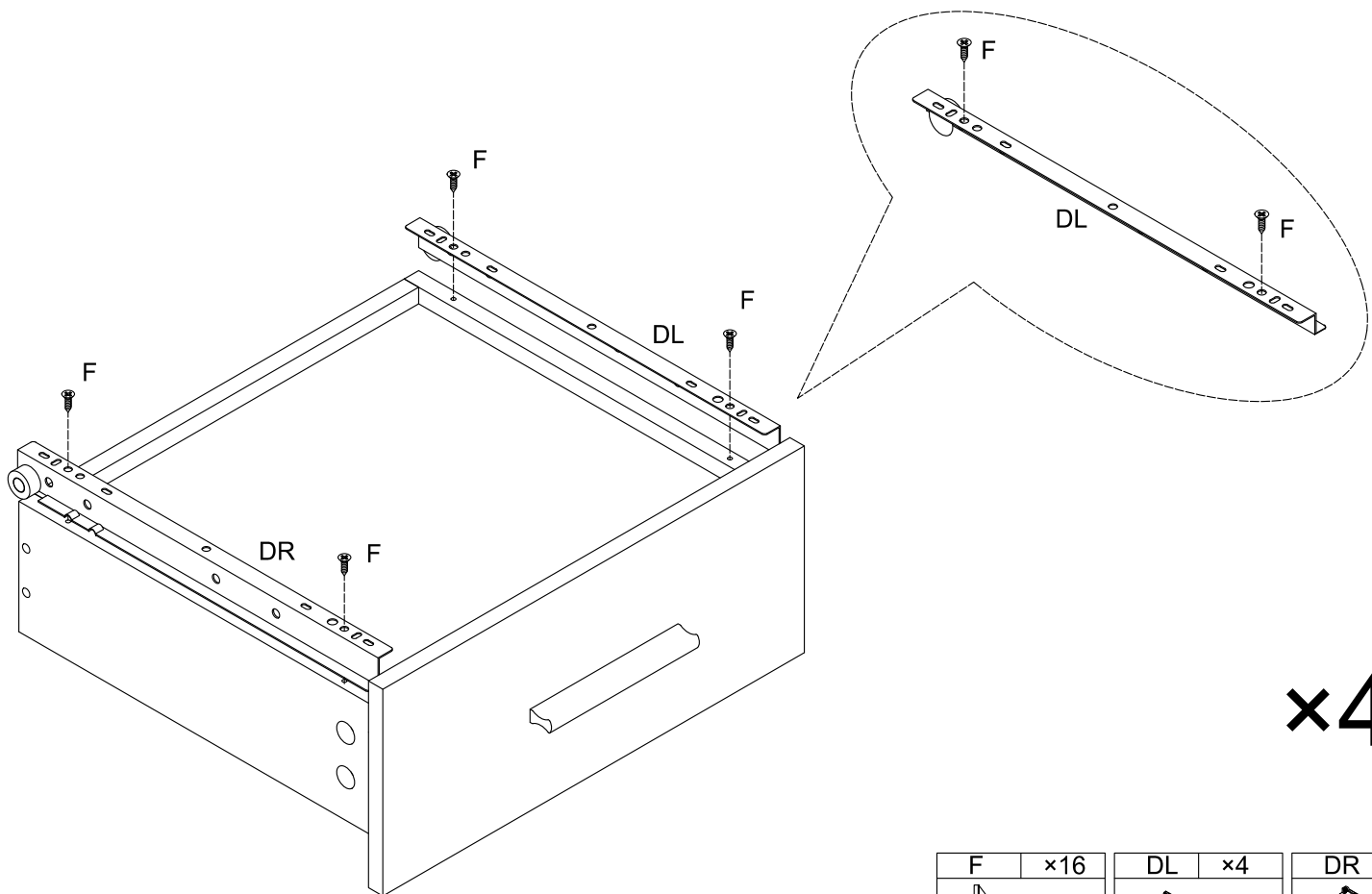
21



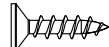


x4

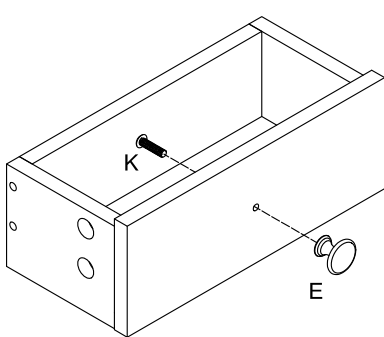
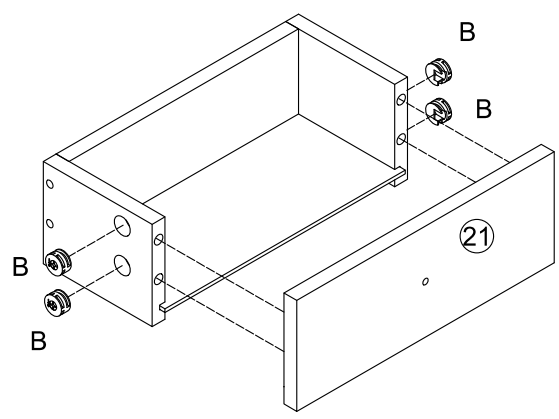
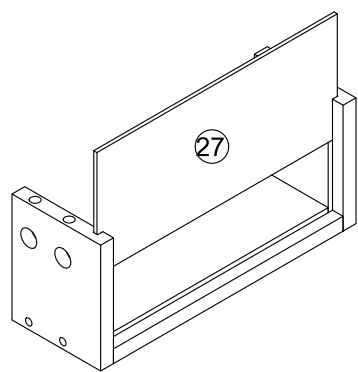
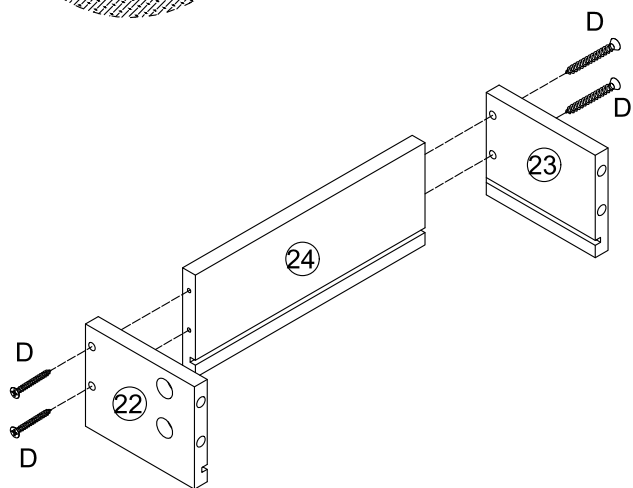
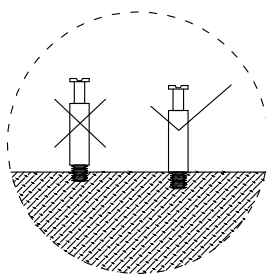
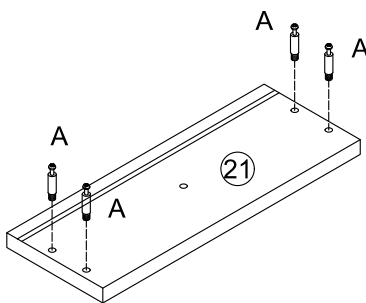
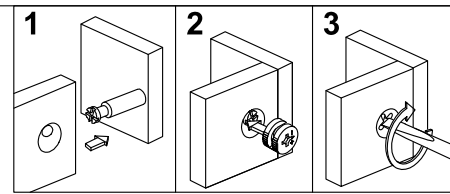
J	x4	K	x8
			
		Ø4x16mm	

22



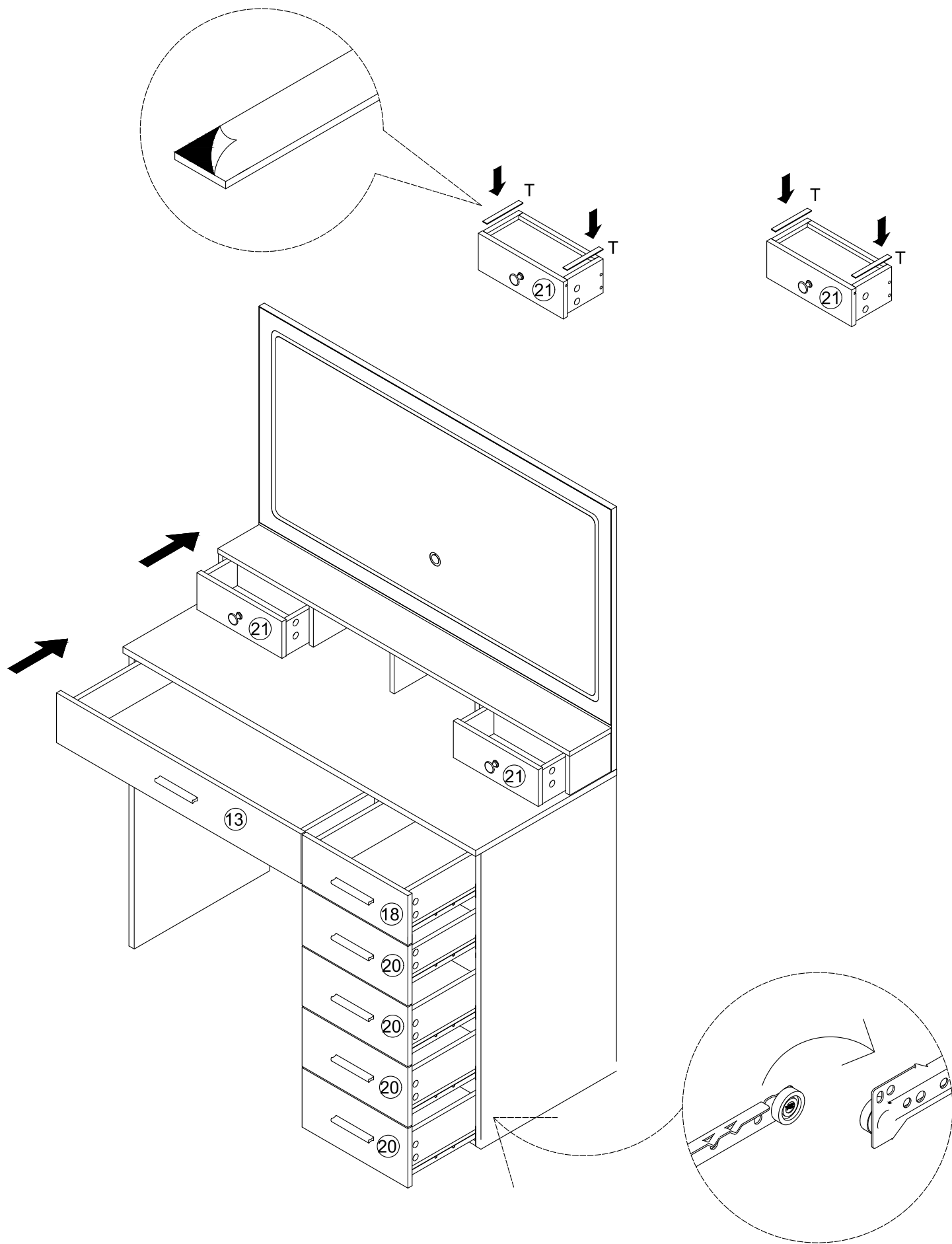
x4


F	x16	DL	x4	DR	x4
					
Ø3.5x12mm		300mm		300mm	



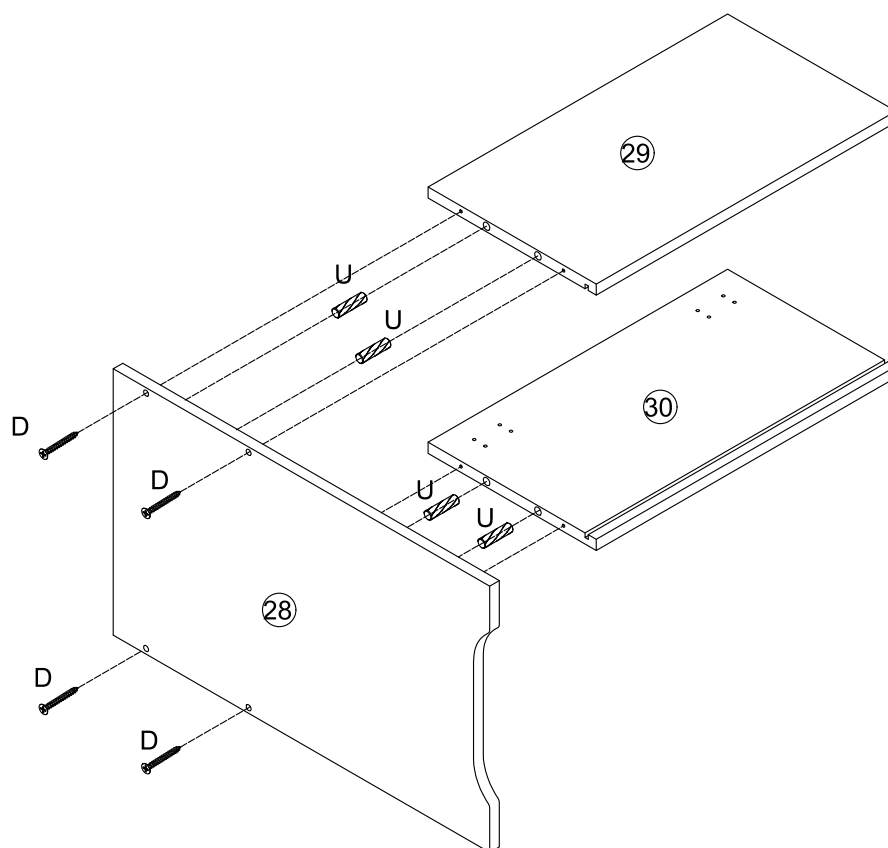
x2



A	x8	B	x8	D	x8	E	x2	K	x2
Ø6x35mm		Ø15x9.5mm		Ø4x35mm				Ø4x16mm	



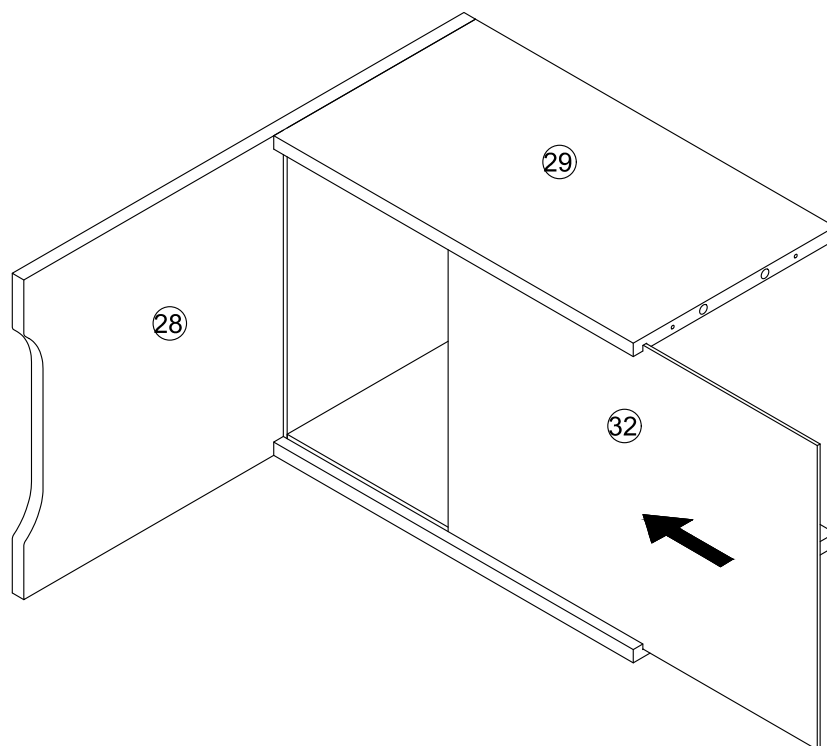
T	×4
	

25

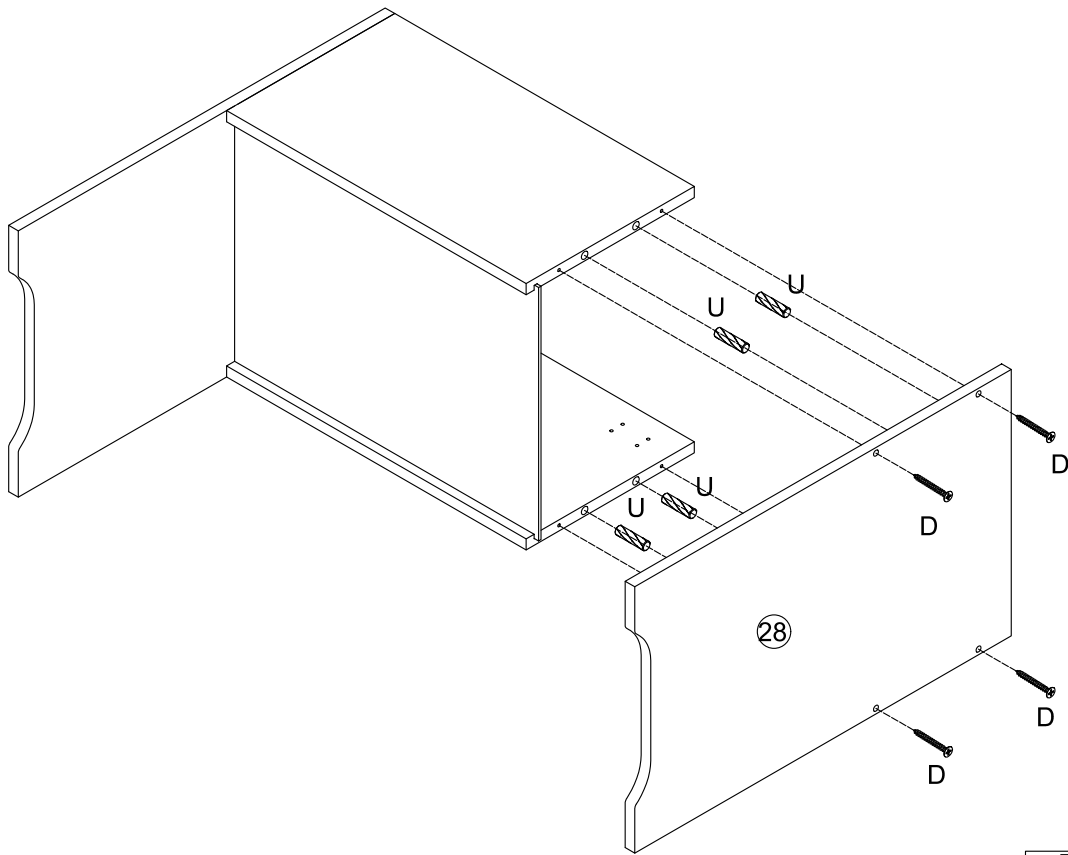




D	x4	U	x4
			
Ø4x35mm		Ø8x30mm	

26

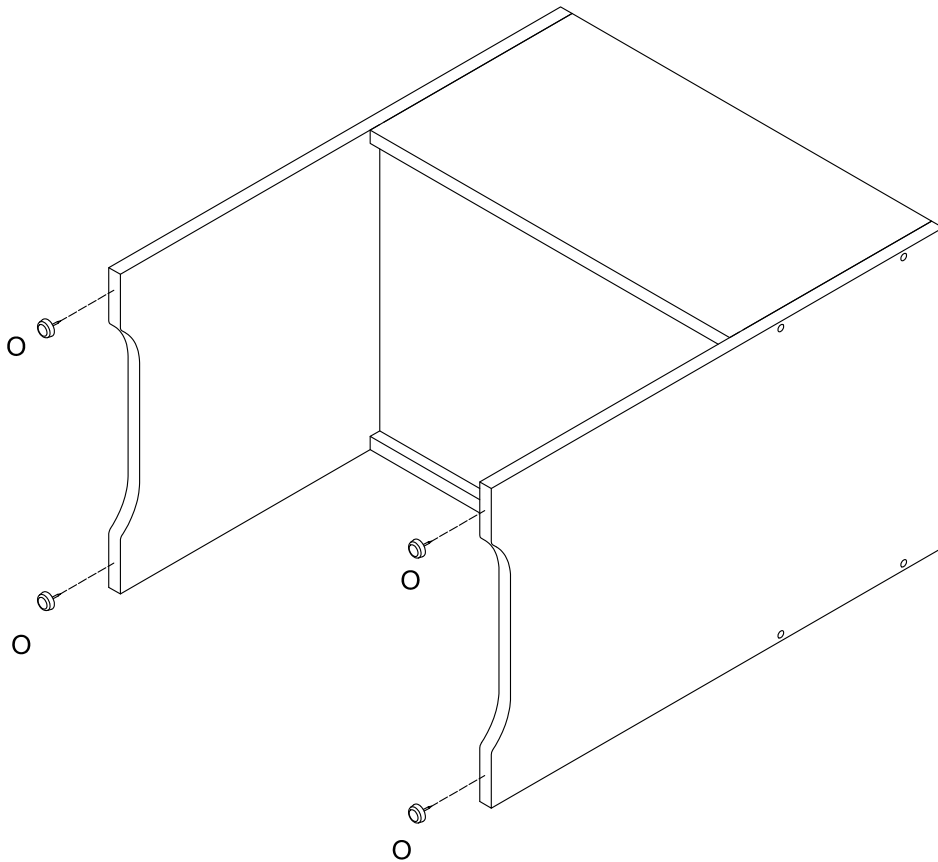



27

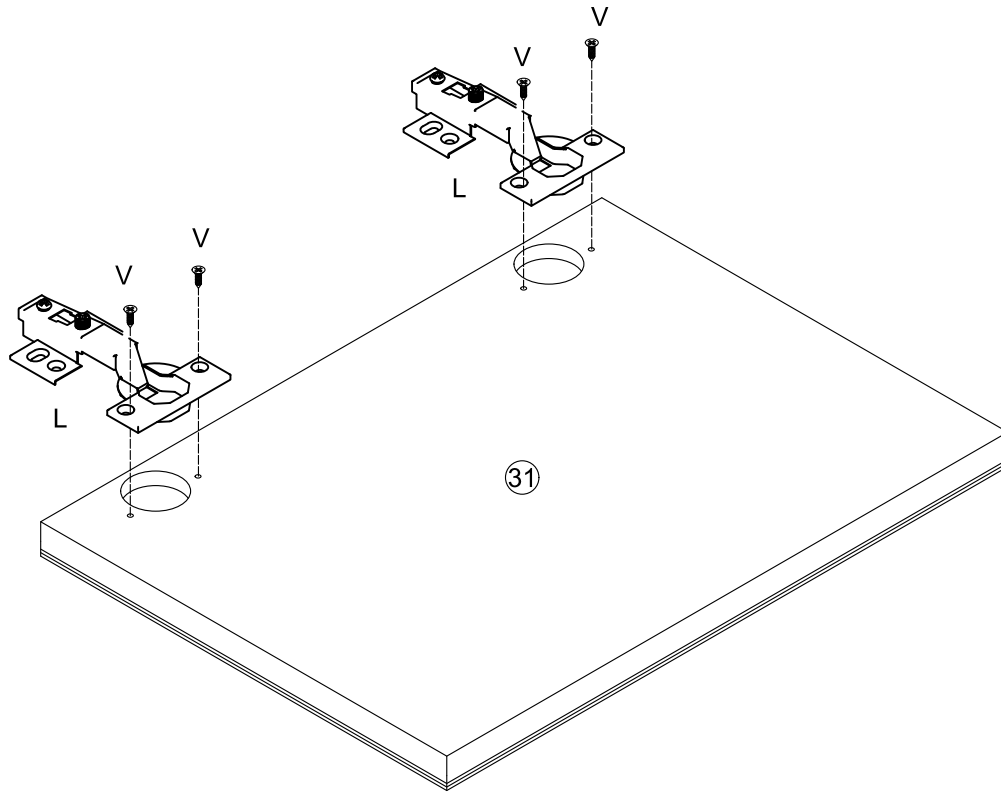


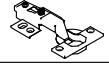
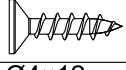
D	x4	U	x4
			
Ø4x35mm		Ø8x30mm	

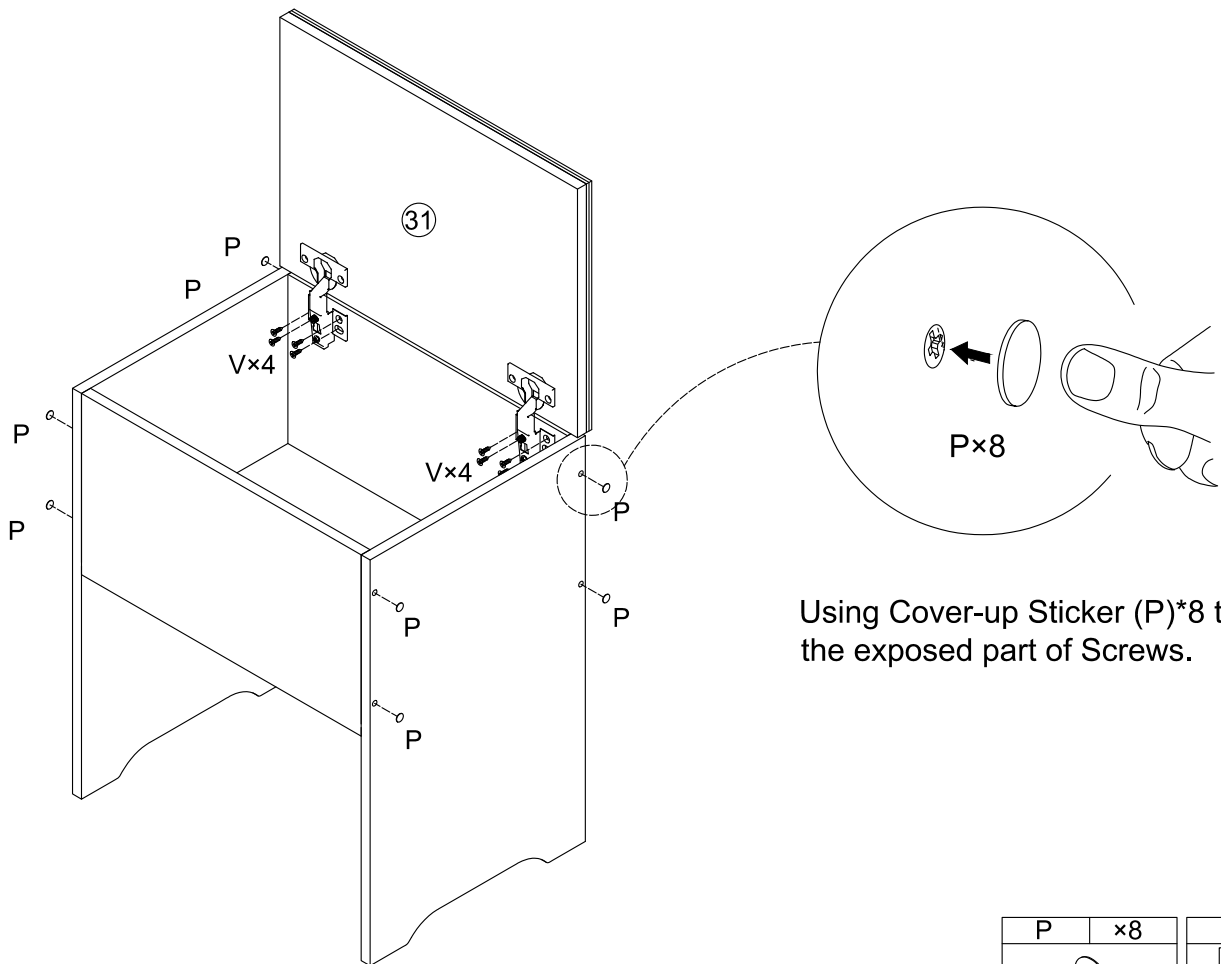
28




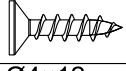
O	x4
	

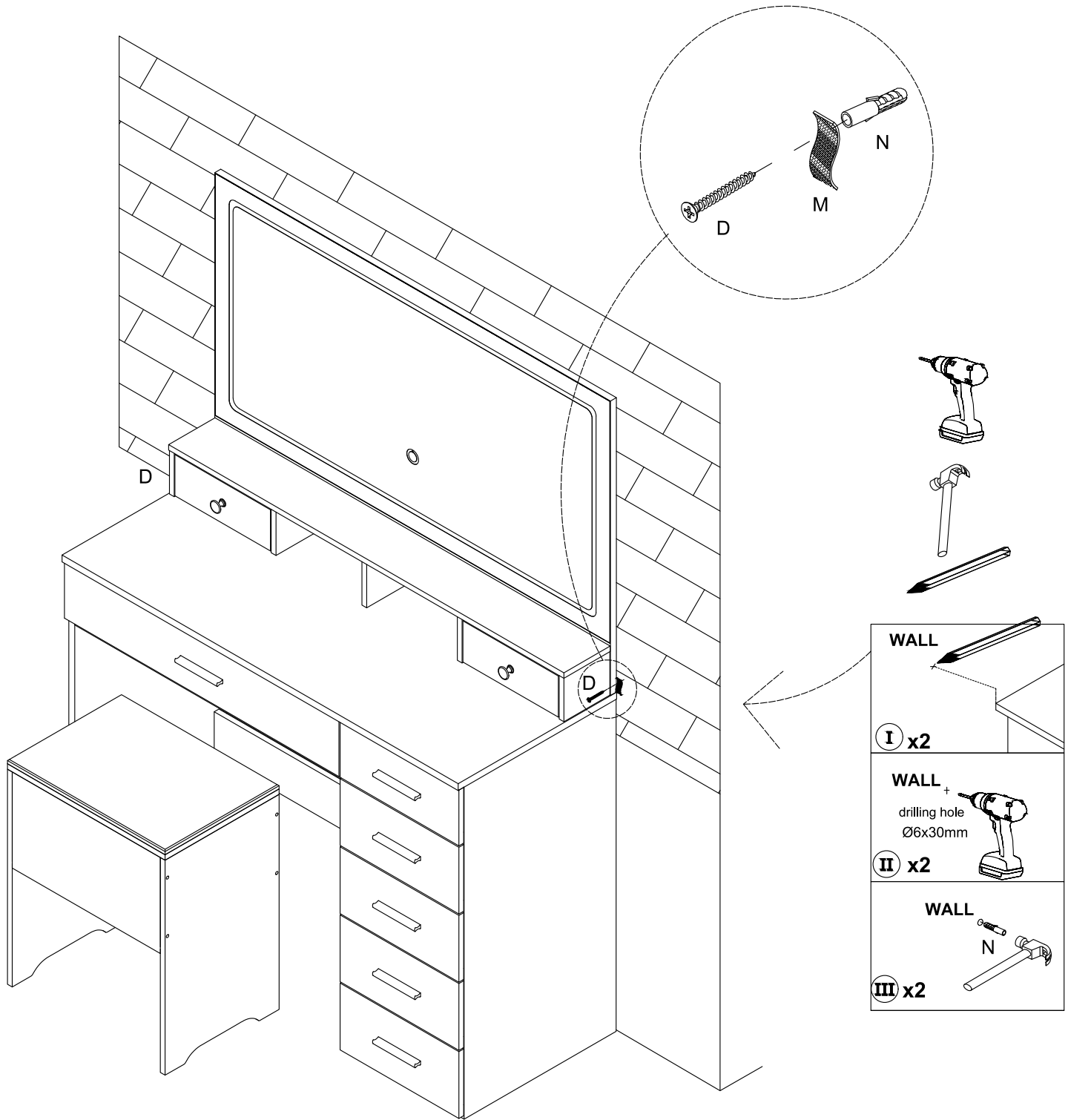


L	x2	V	x4
			
		Ø4x12mm	






Using Cover-up Sticker (P)*8 to cover the exposed part of Screws.

P	x8	V	x8
			
		Ø4x12mm	



- WALL
- I x2
- WALL +
drilling hole
Ø6x30mm
- II x2
- WALL
- III x2

D	x2	N	x2
			
Ø4x35mm			