



Kingston™

Two-piece elongated toilet, 1.28 gpf
K-25077-RA

Features

- Ideal for commercial installations
- Two-piece design
- Elongated bowl offers added room and comfort
- 1.28 gpf (4.8 lpf)
- Durable metal right-hand Polished Chrome trip lever
- 2-1/8" (54 mm) fully glazed trapway
- Easy-to-service silicone seal
- Sanitary guard where bowl and tank meet for ease of cleaning
- Encapsulated bolts prevent rust and corrosion
- Comfort Height® feature offers chair-height seating that makes sitting down and standing up easier for most adults
- Class Five® canister optimizes the flow out of the tank, harnessing gravity and the natural powerful reducing cascade of water to increase the power and effectiveness of the flush



Installation

- Three-bolt quick-connect installation
- Standard 12" (305 mm) rough-in
- Seat and supply line sold separately

Recommended Products/Accessories

- K-7637 Angle Supply with Stop (single)
- K-5420 Low-Profile Bolt Caps
- K-23726 Drain treatment
- K-4636-RL Cachet® ReadyLatch® Quiet-Close™ elongated toilet seat

Included Components

- K-25076 Elongated toilet bowl
- K-25100-RA Toilet tank, 1.28 gpf

ADA	CSA B651	OBC
------------	-----------------	------------

Codes/Standards

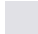
- ASME A112.19.2/CSA B45.1
- DOE - Energy Policy Act 1992
- EPA WaterSense®
- California Energy Commission (CEC)
- ADA
- ICC/ANSI A117.1
- CSA B651
- OBC

KOHLER® Toilets and Seats Limited Warranty

See website for detailed warranty information.

Available Colors/Finishes

Color tiles intended for reference only.

Color	Code	Description
	0	White

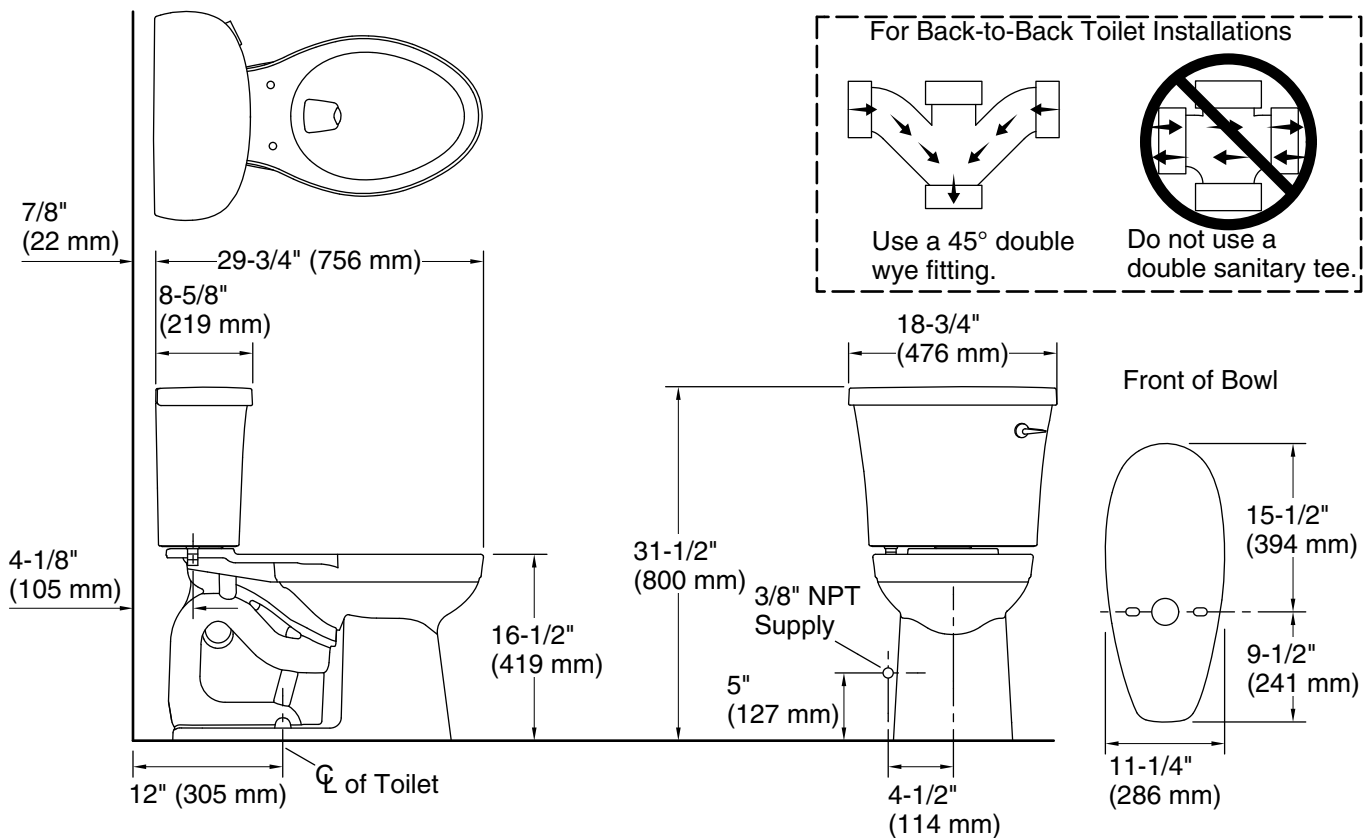
1-800-4KOHLER (1-800-456-4537)

Kohler Co. reserves the right to make revisions without notice to product specifications.

For the most current Specification Sheet, go to www.kohler.com USA or www.kohler.ca Canada

4-6-2025 23:49 - US/CA





Technical Information

All product dimensions are nominal.

Toilet type:	Floor-mount
Waste Outlet:	Floor
Bowl shape:	Elongated
Flush type:	Class Five
Trap passageway:	2-1/8" (54 mm)
Water surface size:	10-5/8" x 6-15/16" (269 mm x 176 mm)
Rim to water surface:	5-5/8" (143 mm)
Rough-in:	12" (305 mm)
Seat-mounting holes:	5-1/2" (140 mm)

Notes

Install this product according to the installation instructions.

For back-to-back toilet installations: Use only a 45° double wye fitting.

ADA, OBC, CSA B651 compliant when installed to the specific requirements of these regulations.

Plumbing codes may require elongated toilets and elongated, open-front seats in public bathrooms.

Accessibility standards may require controls to be located on the open side of the toilet.