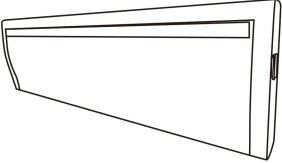
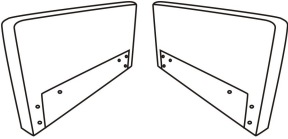
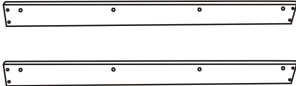
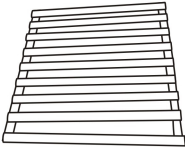

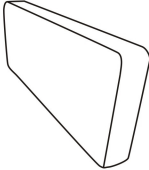

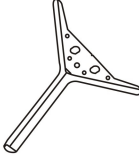



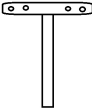
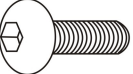
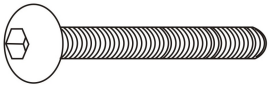

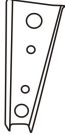


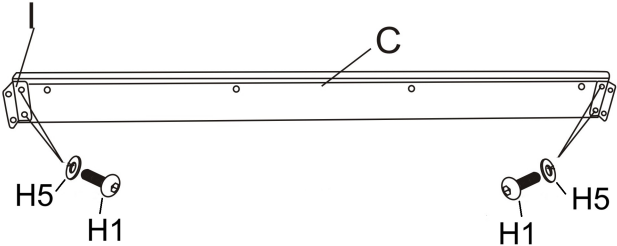
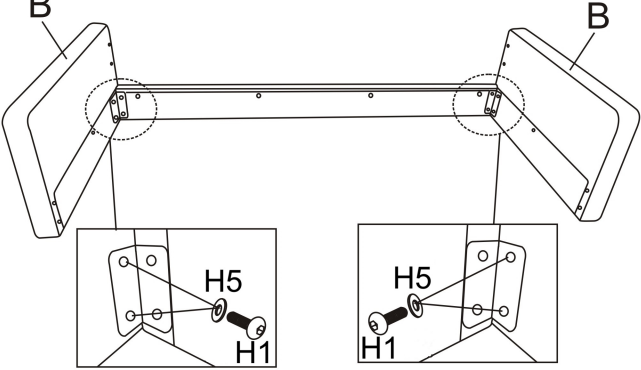
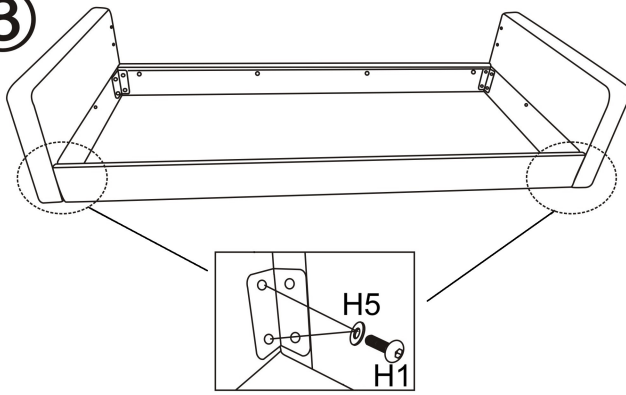


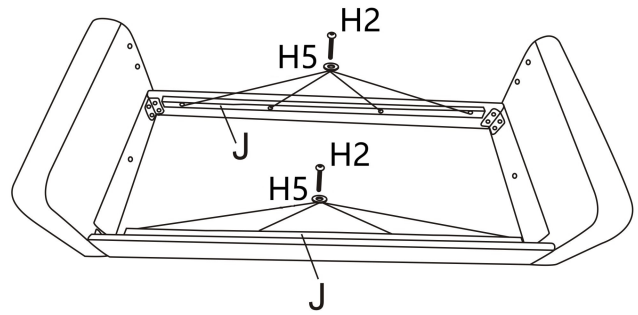
# ASSEMBLY INSTRUCTION

<p>Ax1</p> 	<p>Bx1</p> 	<p>Cx1</p> 	<p>Dx2</p> 
<p>Ex2</p> 	<p>Fx2</p> 	<p>Gx2</p> 	<p>Hx4</p> 
<p>Ix4</p> 	<p>Jx2</p> 	<p>Kx2</p> 	<p>Lx1</p> 
<p>H1x36</p>  <p>M6x20mm</p>	<p>H2x8</p>  <p>M6x45mm</p>	<p>H3x4</p>  <p>M4x25mm</p>	<p>H4x2</p> 
<p>H5x32</p> 	<p>H6x1</p>  <p>M6</p>		
<p>①</p> 		<p>②</p> 	

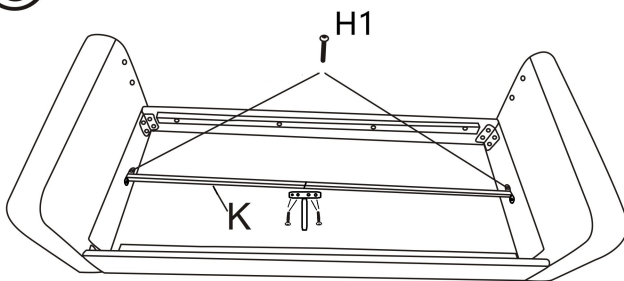
③



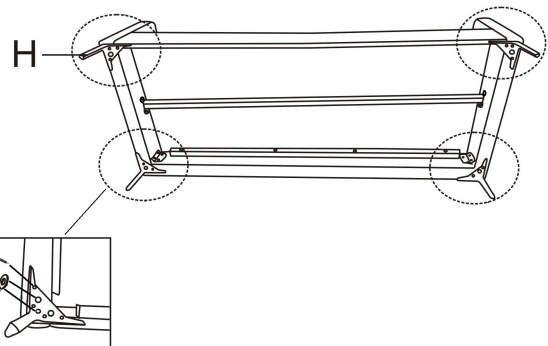
④



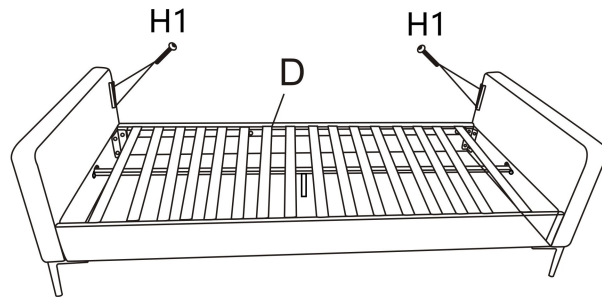
⑤



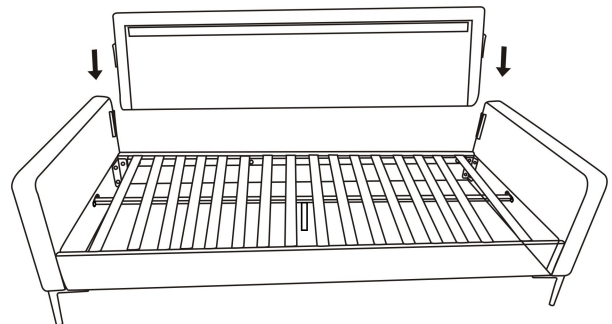
⑥



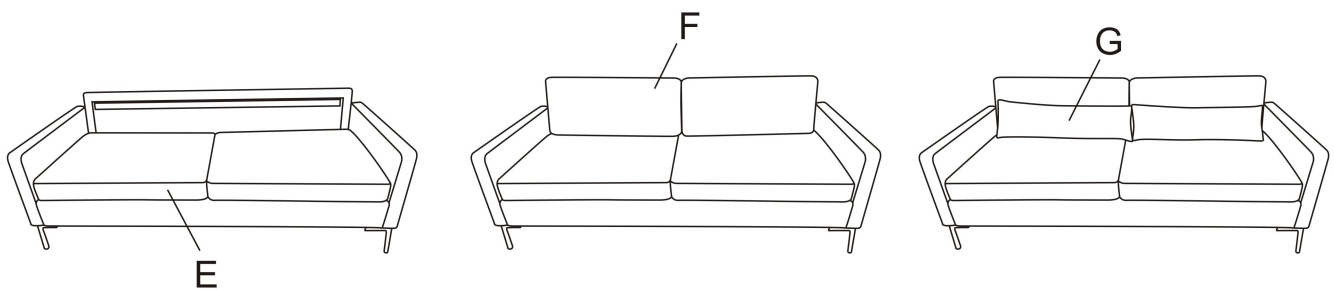
⑦



⑧



⑨



It takes time for the compression bag to rebound