

BATTLESTATION GAMING DESK OPERATING INSTRUCTIONS



WARNING

1. Use this product only one person at a time.
2. Do not use this product unless all bolts screws and knobs are securely tightened.
3. Check that all bolts screws and knobs are tight every three months or as needed.
4. Do not overturn back tilt knob when decreasing tension.
5. Dispose of packing material properly. Do not use plastic cover as head covering. It may cause suffocation.
6. Do not use product as a stepladder.
7. Use this product for its intended purpose only.
8. Use mild detergent only for cleaning.

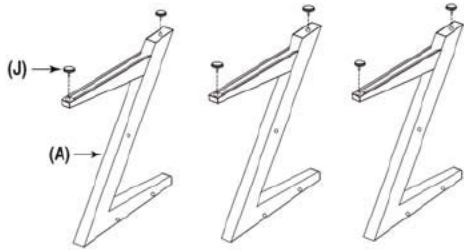
FURNITURE LIMITED PRODUCT WARRANTY

Design Lab Products

- 3 years on gaming desks and chairs
- Upholstery is not warranted against routine scratching and scuffing

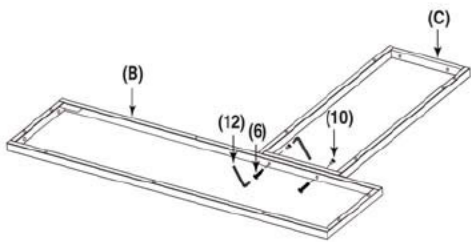
**All warranties are limited to the original purchaser for normal commercial usage defined as a standard forty hour work week by persons weighing 250 lbs. or less. This warranty will not cover labor, freight or damage from misuse, abuse, negligence, alteration, accident, vandalism, rusting, acts of nature or any other event beyond the control of the user. The warranty does not cover cosmetic damage that may result from normal use. Liability for incidental or consequential damages is excluded. The user assumes all risk of injury resulting from use of this product. When usage is more than 40 hours per week, a two year warranty on all parts applies. Fabric and foam is warranted for one year. This warranty gives you specific legal rights, and you may also have other rights which vary from state to state.*

STEP 1



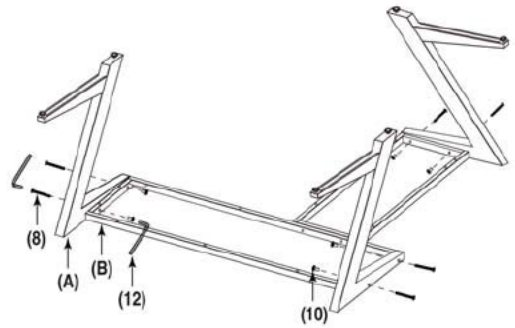
PART	QTY
A. Leg	3
B. Large Frame	1
C. Small Frame	1
D. Large Top	1
E. Small Top	1
F. Shelf	1
G. Tray	1
H. Leg Support	3
I. LED Light Tube	1
J. Foot	6
K. Shelf Support	2
L. Shelf Support	1
M. Bracket	1
N. Bracket	1
O. USB Charger	1
P. LED Power Adapter	1
Q. USB Power Adapter	1
R. Bracket	6
S. Plastic Cap	2
T. Wood Plug	2

STEP 2

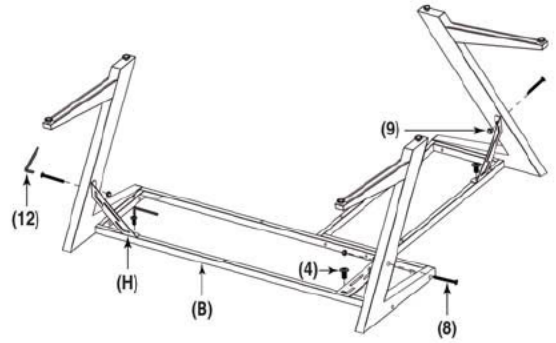


HARDWARE	QTY
1. Screw (M3 x 10)	12
2. Screw (M4 x 14)	10 + 1 Color
3. Bolt (M6 x 10)	6
4. Bolt (M6 x 16)	3
5. Bolt (M6 x 30)	2
6. Bolt (M6 x 35)	2
7. Bolt (M6 x 40)	10
8. Bolt (M6 x 50)	9
9. Nut (M6)	3
10. Connecting Cap Nut	8
11. Screwdriver	1
12. Allen Wrench (M5)	2

STEP 3



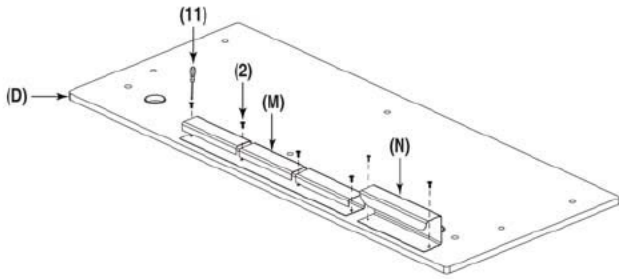
STEP 4



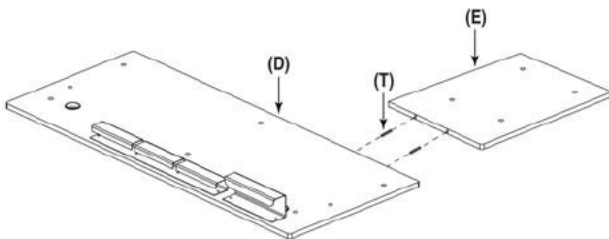
Remove all the parts from carton, separate them into part numbers indicated on the list and make sure part quantities are correct.
STEP 1 Attach Feet (J) to Legs (A).
STEP 2 Attach Large Frame (B) to Small Frame (C) using two Bolts (6) and two Connecting Cap Nuts (10). **DO NOT FULLY TIGHTEN ALL BOLTS.**

STEP 3 Attach Legs (A) to assembly using two Bolts (8) and two Connecting Cap Nuts (10) for each Leg (A). **DO NOT FULLY TIGHTEN BOLTS.**
STEP 4 Secure Leg Supports (H) to assembly using one Bolt (8), one Bolt (4) and two Nuts (9) for each Leg Support (H). **DO NOT FULLY TIGHTEN BOLTS.**

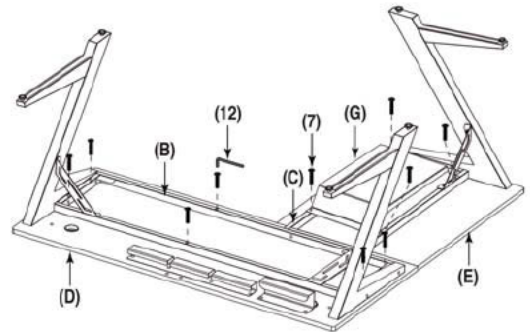
STEP 5



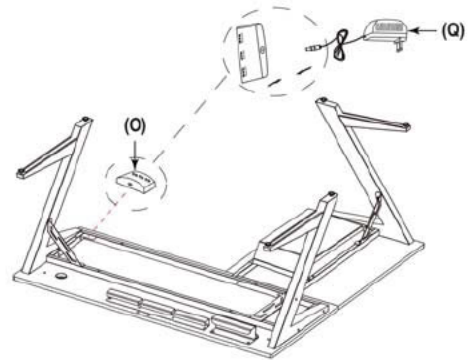
STEP 6



STEP 7



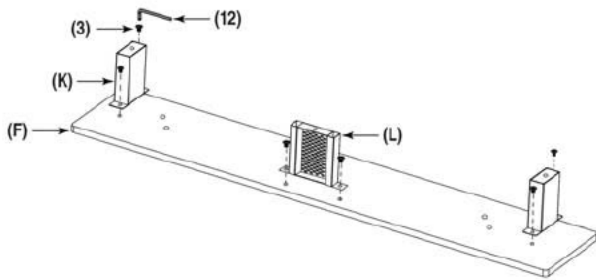
STEP 8



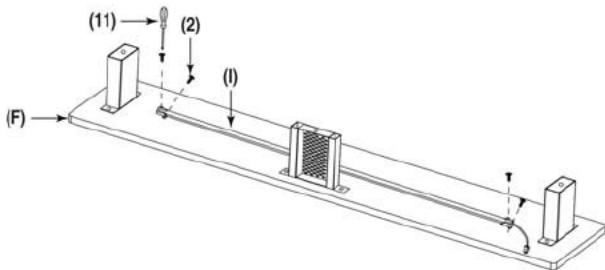
STEP 5 Attach Brackets (M & N) to Large Top (D) using six Screws (2). **FULLY TIGHTEN SCREWS (2).**
STEP 6 Attach Small Top (E) to Large Top (D) using Wood Plugs (T).

STEP 7 Secure Tops (D & E & G) to assembly using twelve Bolts (7). **FULLY TIGHTEN ALL BOLTS AND NUTS.**
STEP 8 Attach USB Charger (O) to assembly. Connect USB Power Adapter (Q) to USB Charger (O).

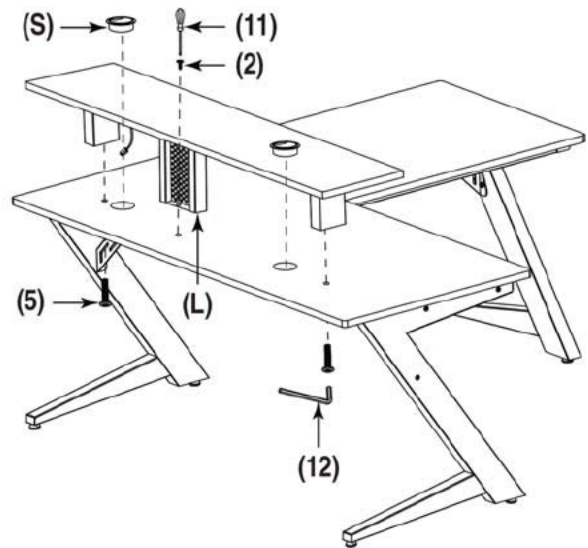
STEP 9



STEP 10



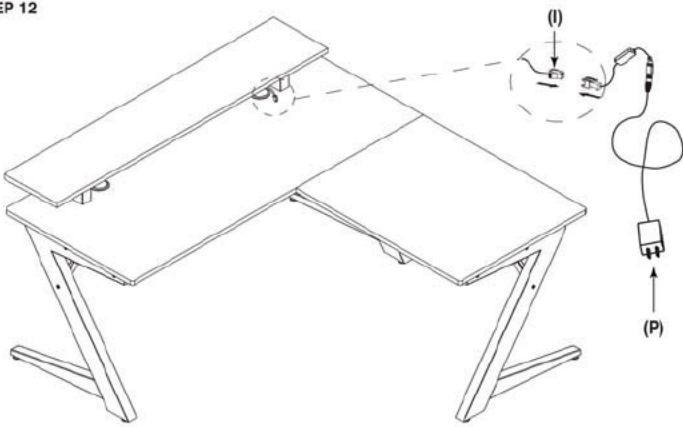
STEP 11



STEP 9 Attach Shelf Supports (K & L) to Shelf (F) using Bolts (3). **DO NOT FULLY TIGHTEN BOLTS.**
STEP 10 Attach LED Light Tube (I) to Shelf (F) using four Screws (2). **FULLY TIGHTEN SCREWS (2).**

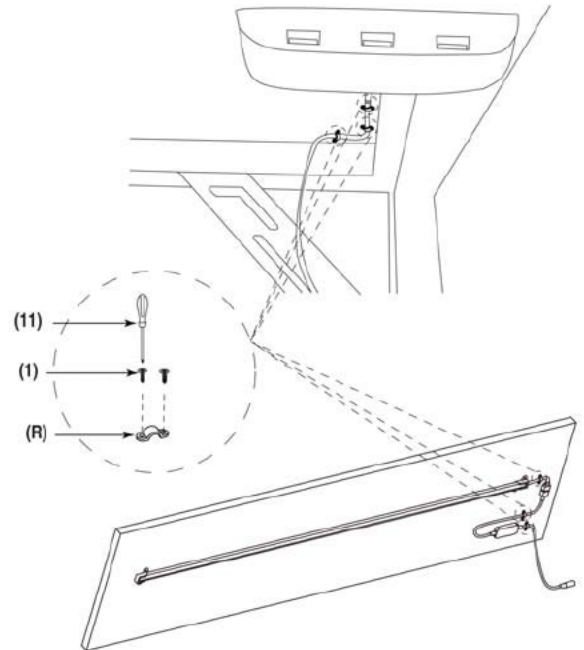
STEP 11 Secure Shelf assembly to desk using two Bolts (5) and one Colored Screw (2). **FULLY TIGHTEN ALL BOLTS AND SCREWS.**

STEP 12



STEP 12 Connect the LED Power Adapter (P) to the LED Light Tube (I).

STEP 13



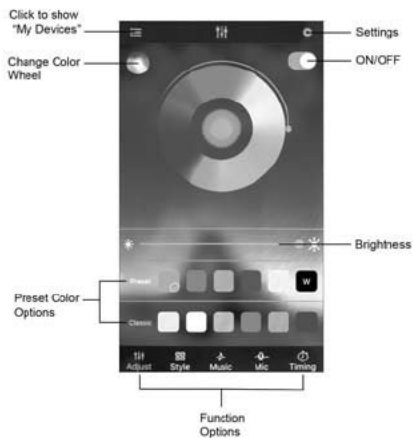
STEP 13 Attach Brackets (R) to assembly using Screws (1) FULLY ALL SCREWS (1).
ATTENTION: MAKE SURE ALL BOLTS, SCREWS & CASTERS ARE FULLY TIGHTENED BEFORE USING PRODUCT.

BLUETOOTH LED-RGB INSTRUCTIONS

- STEP 1**
Scan QR Code or go to your app store and download the duoCo Strip app.
- STEP 2**
Start the app and select the menu at the top left of the app.
- STEP 3**
Select "My Devices" and your device name will show below. Make sure the Link icon is not broken next to the device name. If it is then just select the device name and refresh until the link icon shows a solid link.



- STEP 4**
Select the menu again to return to the "Adjust" screen and toggle the ON/OFF switch to turn on the LED lights.
- STEP 5**
Select the settings icon in the top right and select "Guide" for more detailed instructions.



Product Specifications
Bluetooth: BLE V4.2
Input Voltage: 4.5 - 26V
Working Temp: -25C to 75C
Size: 43mm x 22mm x 11mm
Weight: 30g
Max Power: 144W(24V)

FCC INSTRUCTIONS

NOTE: This equipment has been tested and found to comply with the limits for a Class B digital device, pursuant to Part 15 of the FCC Rules. These limits are designed to provide reasonable protection against harmful interference in a residential installation. This equipment generates, uses and can radiate radio frequency energy and, if not installed and used in accordance with the instructions, may cause harmful interference to radio communications. However, there is no guarantee that interference will not occur in a particular installation. If this equipment does cause harmful interference to radio or television reception, which can be determined by turning the equipment off and on, the user is encouraged to try to correct the interference by one or more of the following measures:

- Reorient or relocate the receiving antenna.
- Increase the separation between the equipment and receiver.
- Connect the equipment into an outlet on a circuit different from that to which the receiver is connected.
- Consult the dealer or an experienced radio/TV technician for help.

-- This device complies with Part 15 of the FCC Rules. Operation is subject to the following two conditions: (1) This device may not cause harmful interference, and (2) this device must accept any interference received, including interference that may cause undesired operation.

-- Instructions shall caution users that modifications not approved by the party responsible for compliance could void user's authority to operate the equipment.