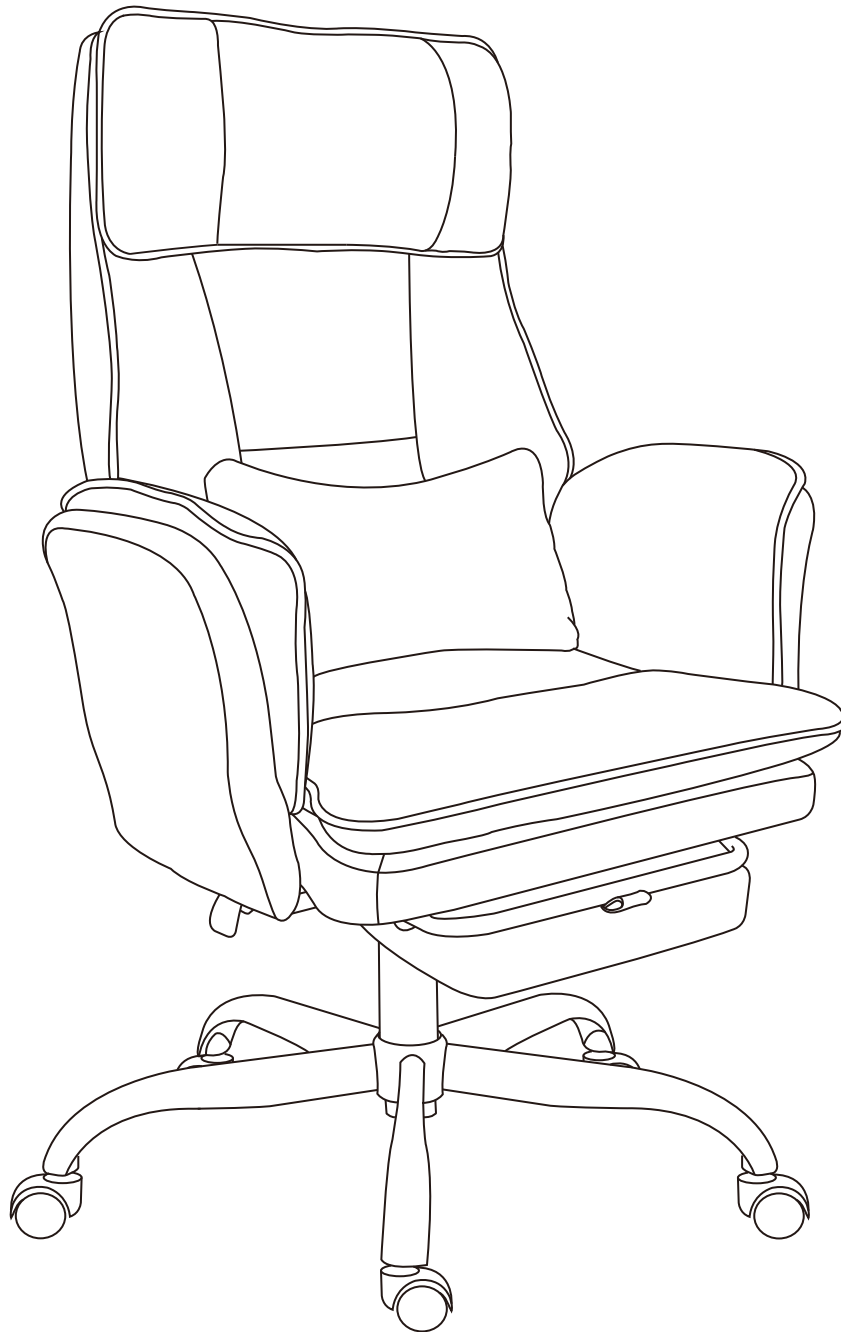


ASSEMBLY INSTRUCTION



Safety and Care Advice

Important – Please read these instructions fully before starting assembly

- Check you have all the components and tools listed on pages 3 and 4.
- Remove all fittings from the plastic bags and separate them into their groups.
- Keep children and animals away from the work area, small parts could choke if swallowed.
- Make sure you have enough space to layout the parts before starting.

- Do not stand or put weight on the product during assembly, this could cause damage.
- Assemble the item as close to its final position (in the same room) as possible.
- Assemble on a soft level surface to avoid damaging the unit or your floor.
- Parts of the assembly will be easier with 2 people.



- We do not recommend the use of power drill/drivers **for inserting screws**, as this could damage the unit. Only use hand screwdrivers.
- Dispose of all packaging carefully and responsibly.

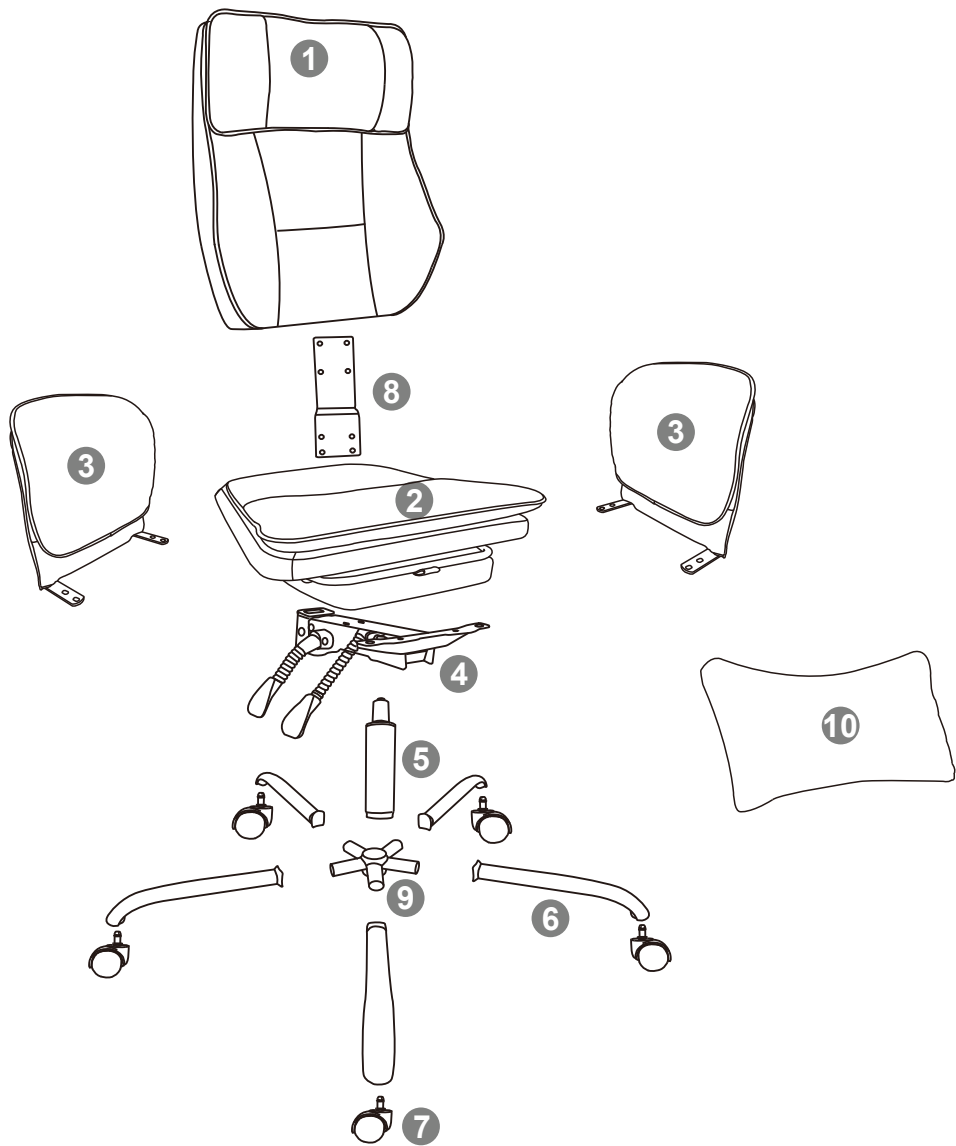
Care and maintenance

- From time to time check that there are no loose screws on this unit.
- This product should not be discarded with household waste. Take to your local authority waste disposal centre.
- To avoid any risk of suffocation to animals or children dispose of the plastic bags immediately.
- As with all surfaces clean with a damp cloth and mild detergent, do not use bleach or abrasive products.

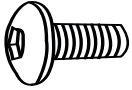
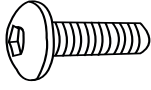
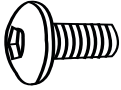
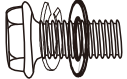

Safety during use

- Do not stand on this chair. Do not use this chair as a step ladder.
- Use this product only for seating one person at a time.
- Do not use this chair unless all bolts, screws and knobs are firmly secured.
- At least every 4 months, check all bolts, screws and knobs, to be sure they are tight.
- If parts are missing, broken or damaged or worn, stop use of this product until repairs are made & using factory authorized parts.
- Failure to follow these warnings could result in serious injury.

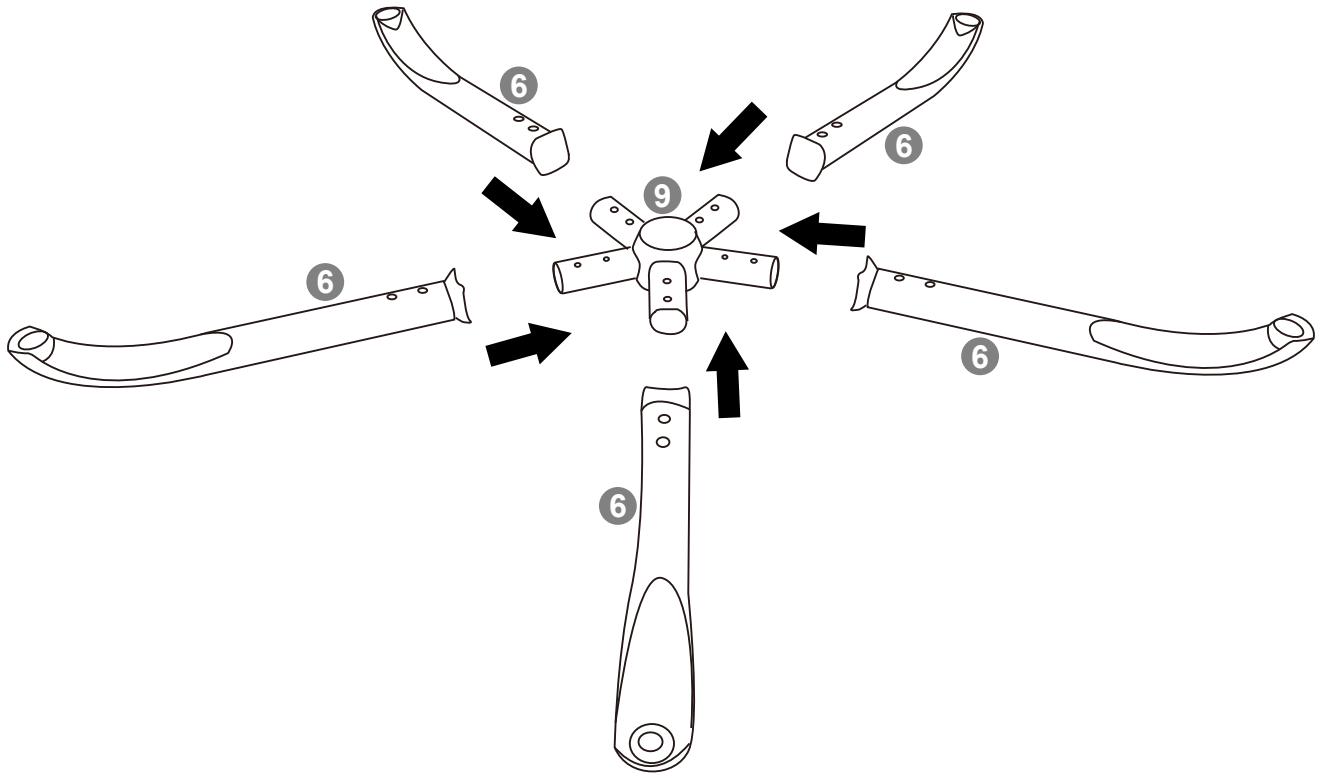
Note: if required the next page can be cut out and used as reference throughout the assembly. Keep this page with these instructions for future reference.



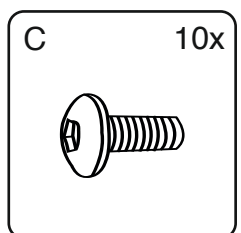
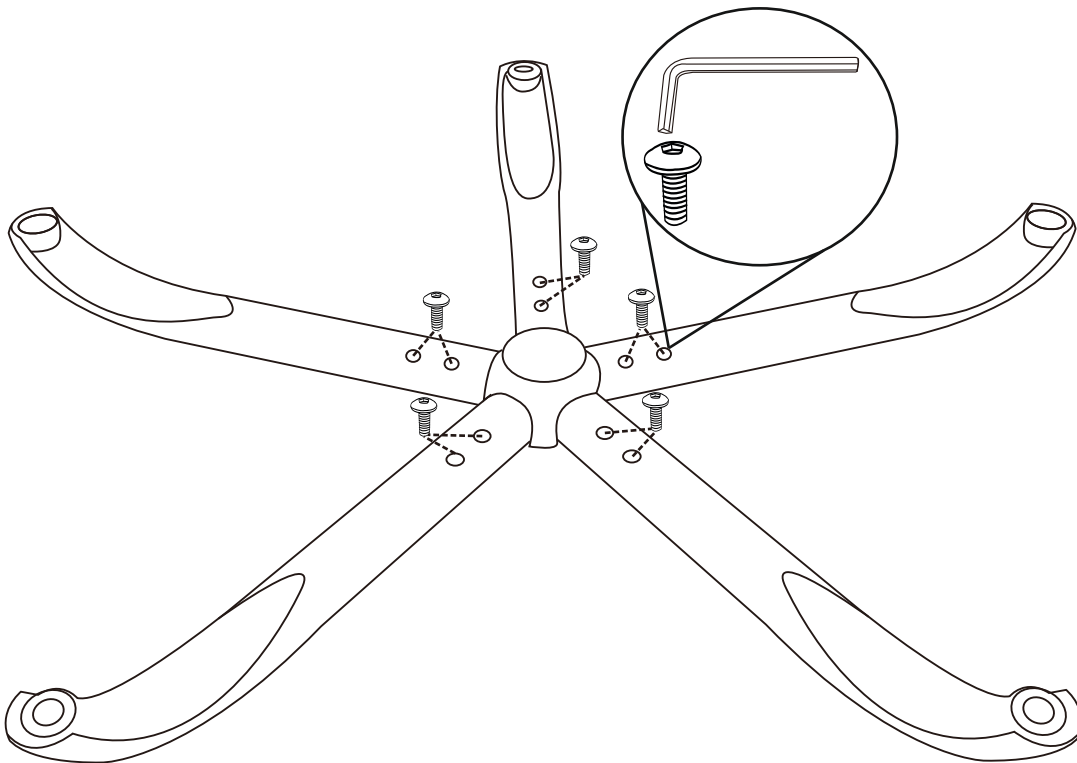
No.	Part name	Qty.	No.	Part name	Qty.
1	Backrest	1	8	Metal plate	1
2	Seatbase	1	9	Base connector	1
3	Armrest	2	10	Pillow	1
4	Mechanism	1			
5	Gas lift	1			
6	Base	5			
7	Castor	5			

<p>A 12x</p>  <p>M6x25mm</p>	<p>B 4x</p>  <p>M6x30mm</p>	<p>C 10x</p>  <p>M6x20mm</p>	<p>D 4x</p>  <p>M8x25mm</p>
<p>E 1x</p>  <p>Allen key</p>			

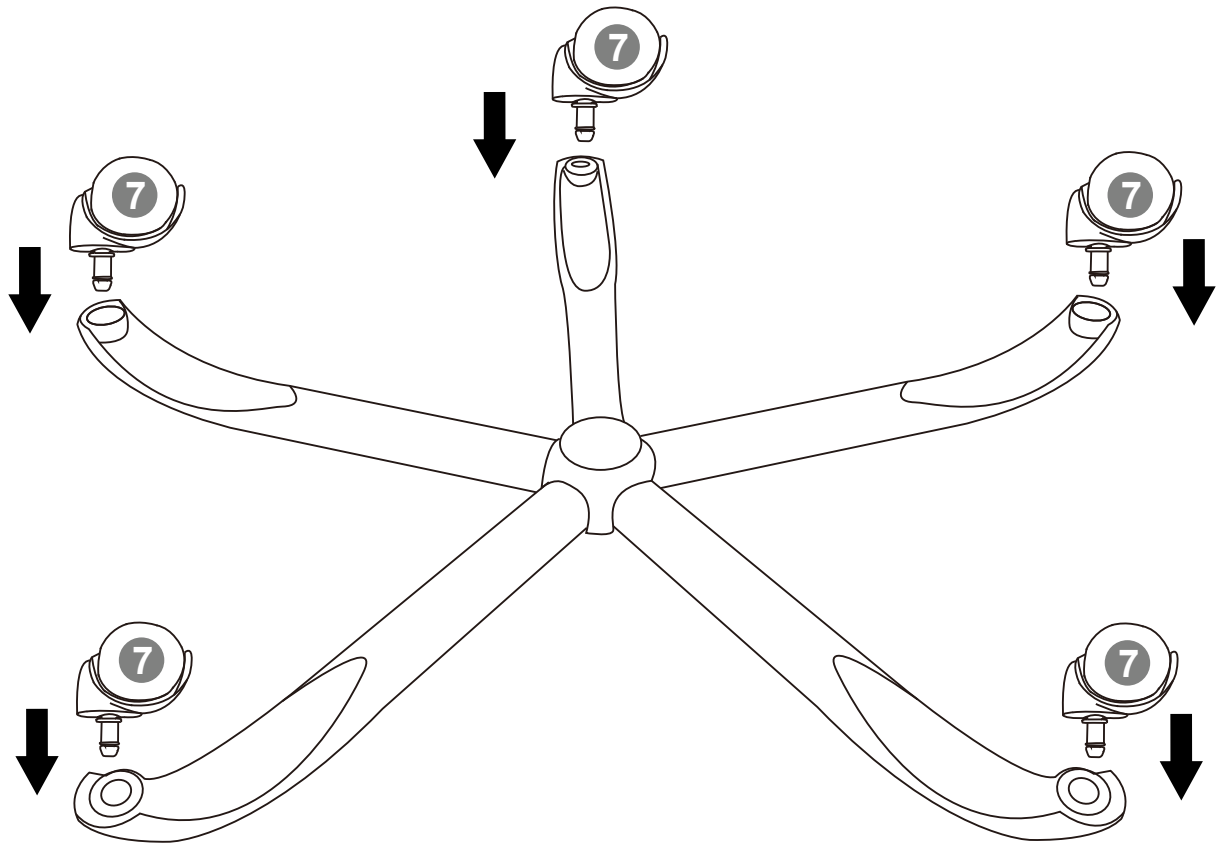
01



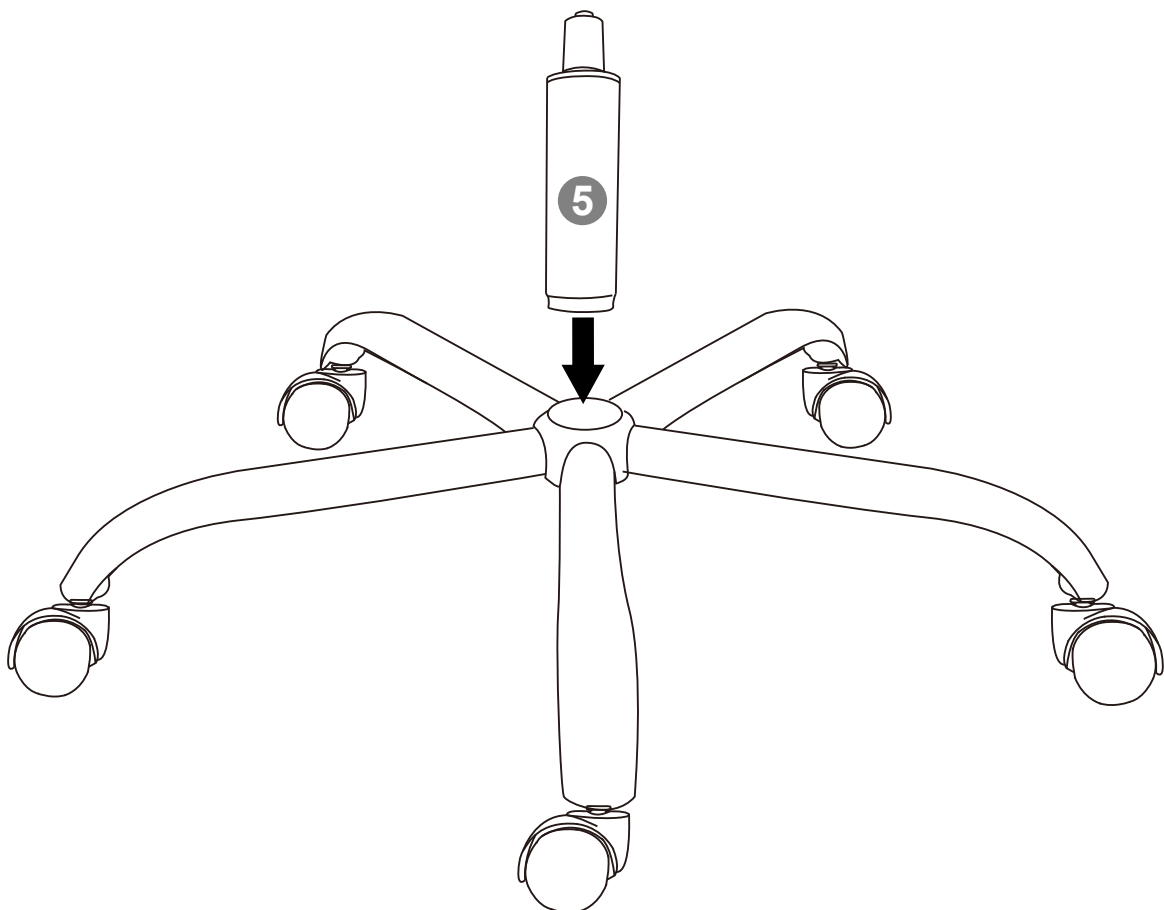
02



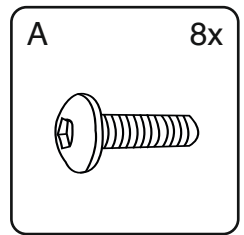
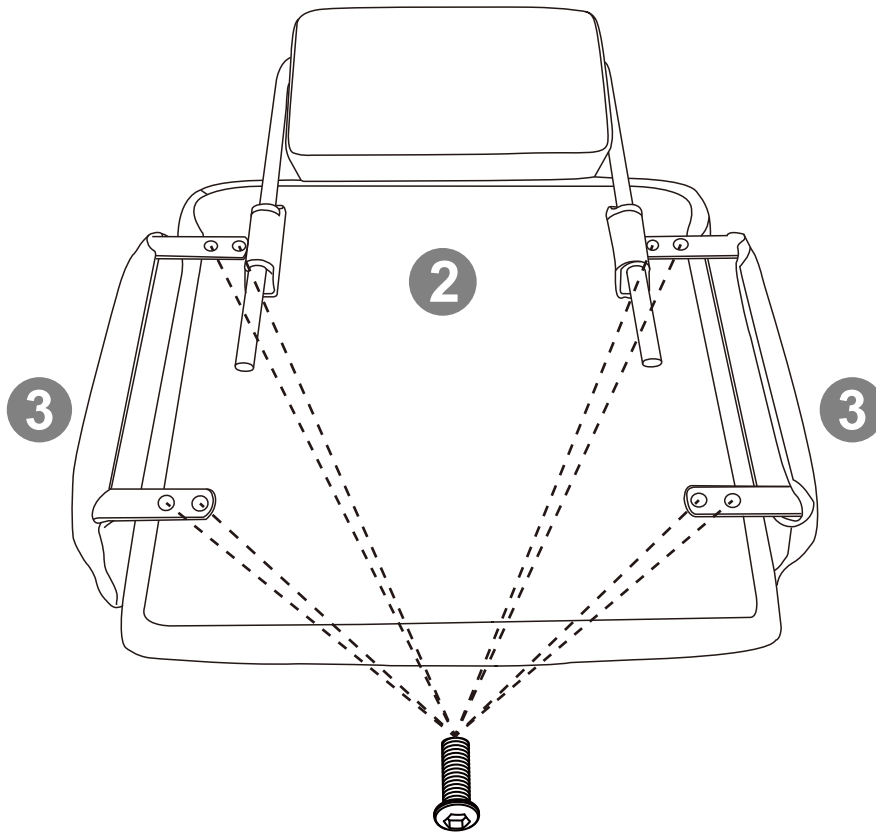
03



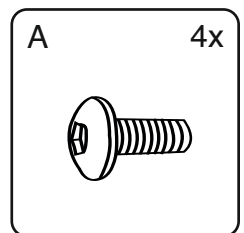
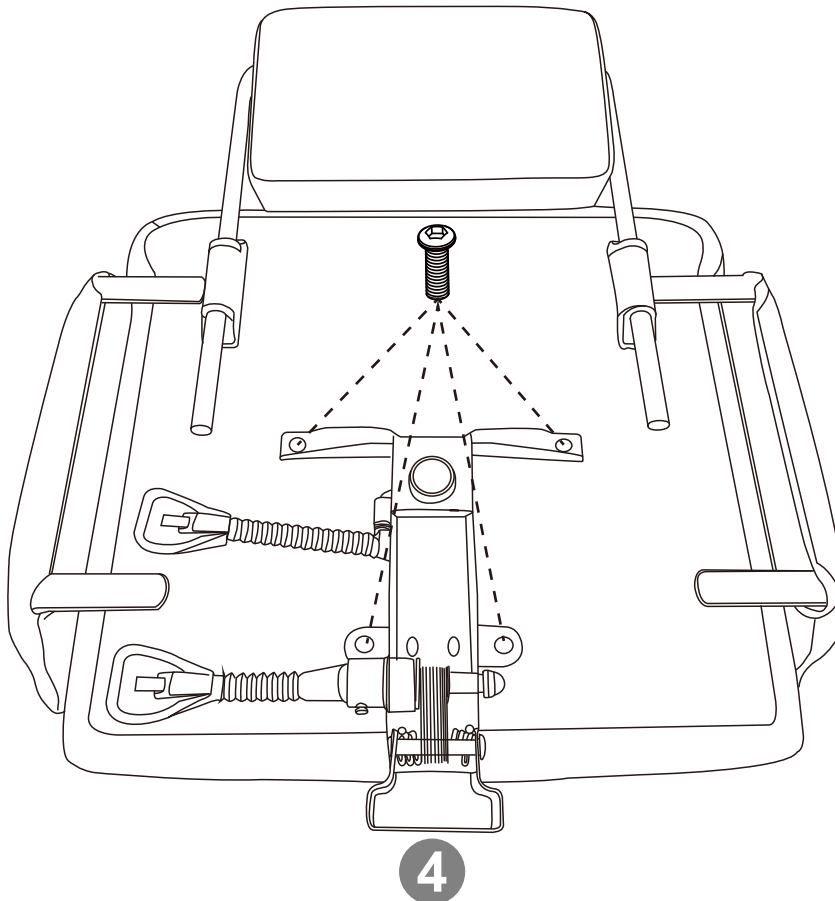
04



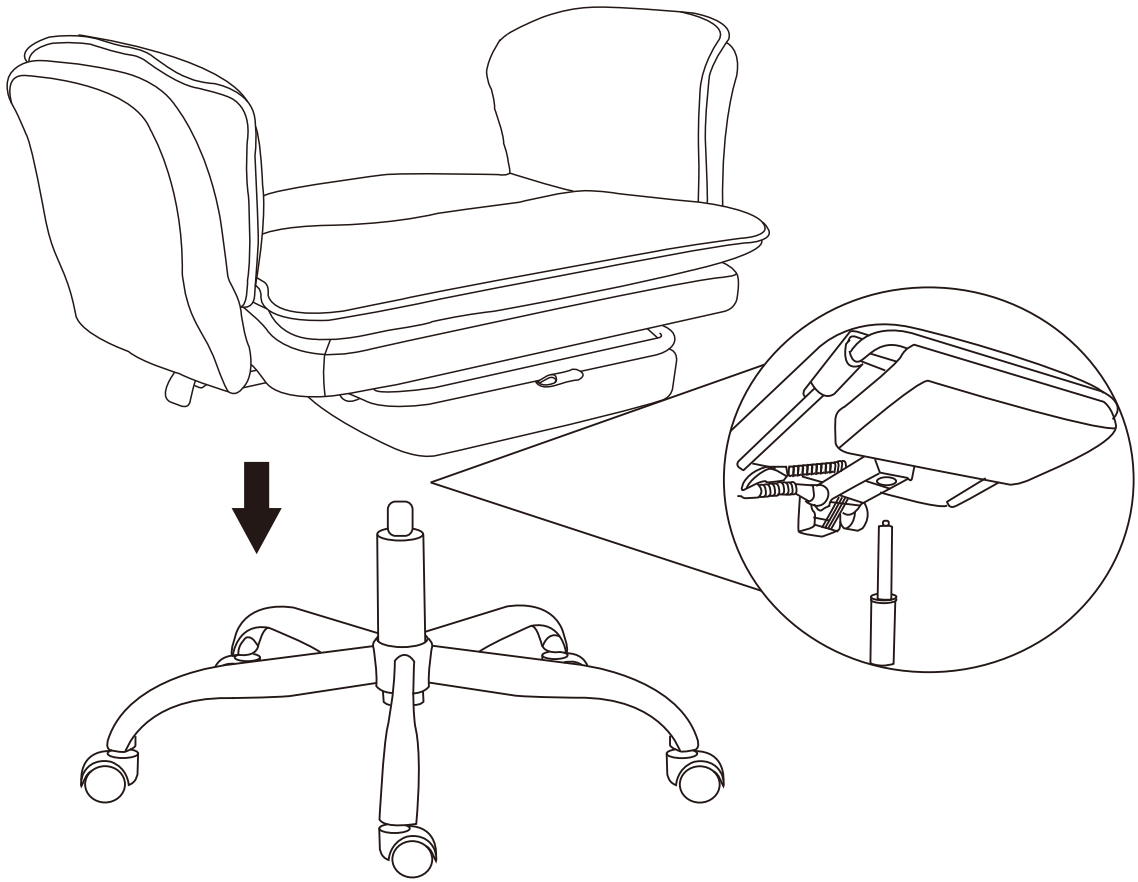
05



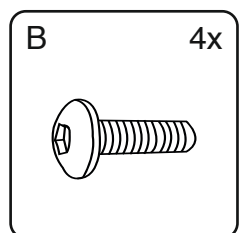
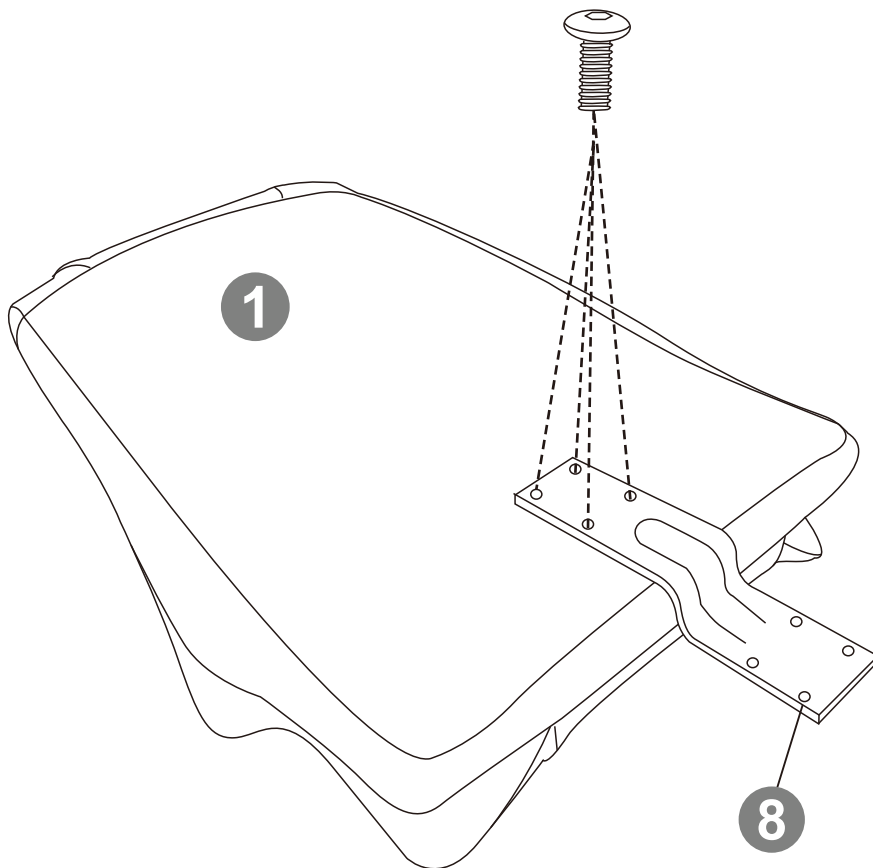
06



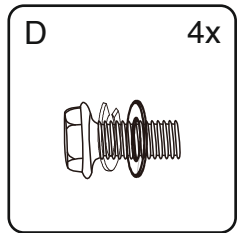
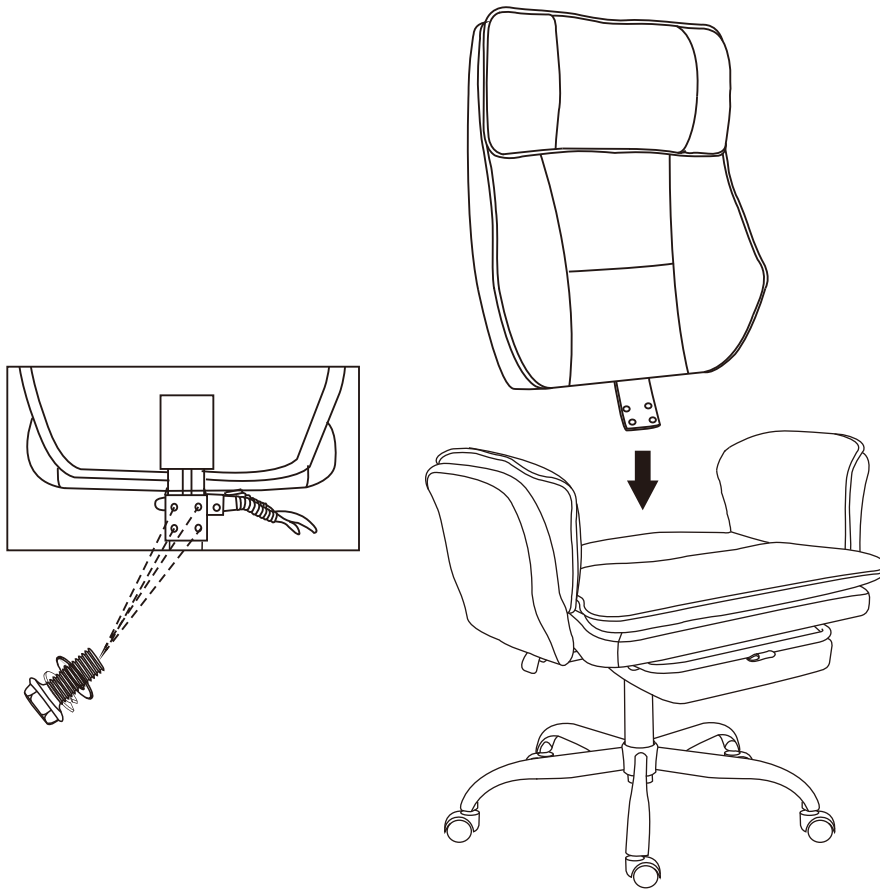
07



08



09



10

