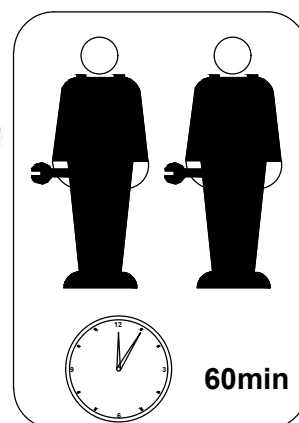
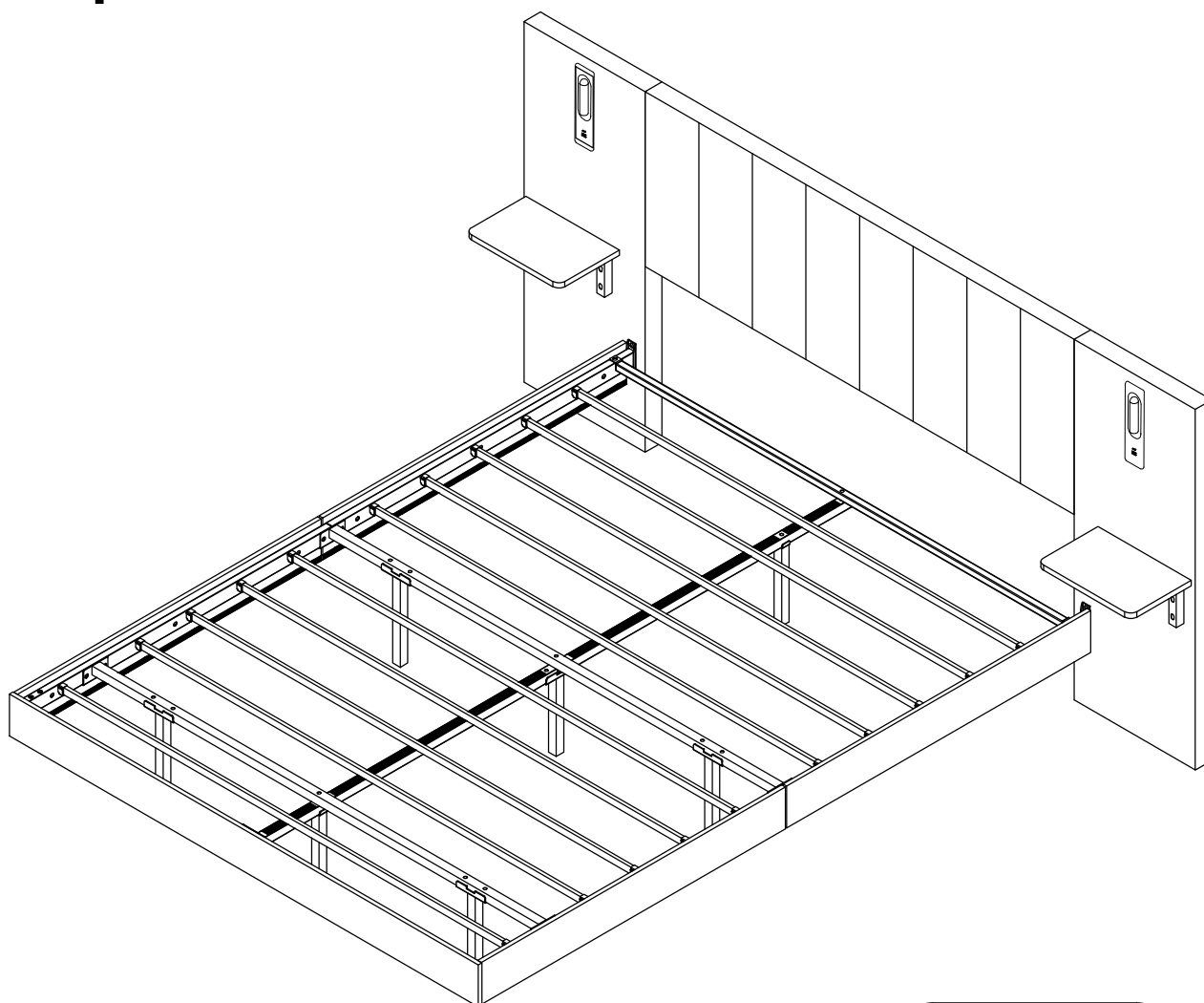


ASSEMBLY INSTRUCTIONS

**Item Number N604P265967/N604P265968
N604P265871/N604P265872**

This set comes in 2 boxes. If you do not receive a full 2 boxes, please contact our customer service.

Upholstered bed-135*190CM/150*200CM



INSTRUCTIONS

IMPORTANT-READ CAREFULLY-RETAIN FOR FUTURE REFERENCE

a) WARNING -Children can become trapped between the bed and the wall, the adjoining pieces of furniture (e.g. cupboards) and the like. To avoid risk of serious injury the distance between the safety barrier and the adjoining structure shall not exceed 75 mm or shall be more than 230 mm.

b) WARNING-Do not use the bed if any structural part is broken or missing; Replacement parts are between requested from the manufacturer or the store.

c) WARNING-Do not climb or wiggle on any non-designated structures.

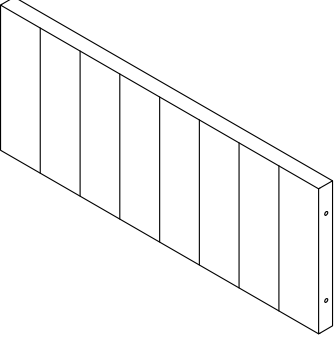
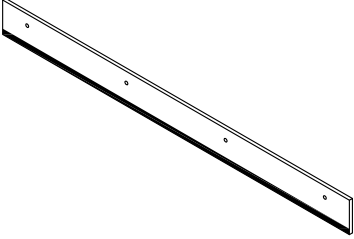
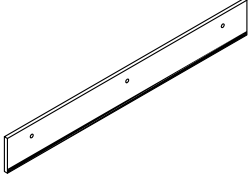
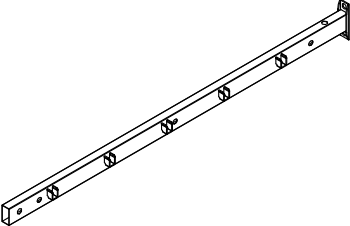
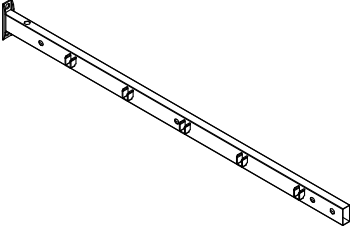
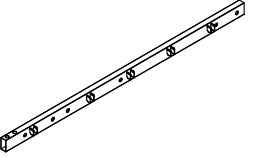
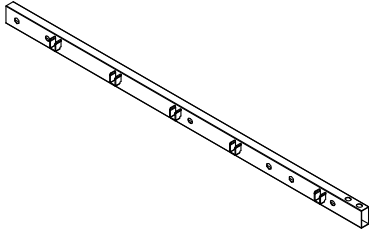
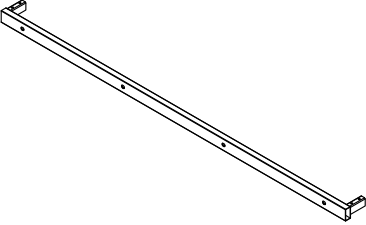
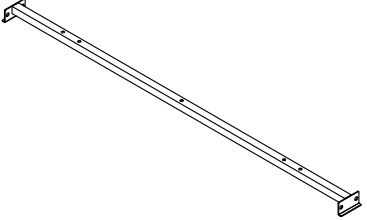
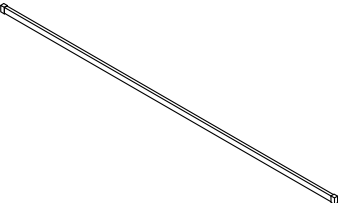
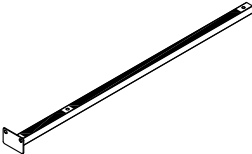

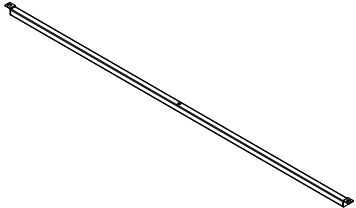
d) it is imperative to always follow the installation instructions and manufacturer's use.

e) The recommended size of the mattress to be used with the bed is 135cmx190cm/150cmx200cm,maximum thickness mattress:25cm.

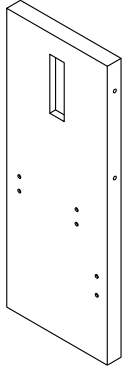
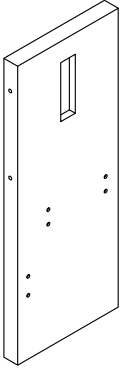
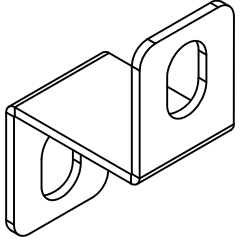
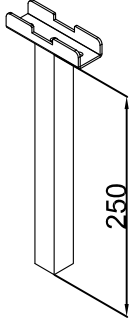
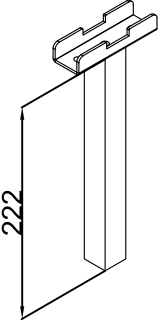

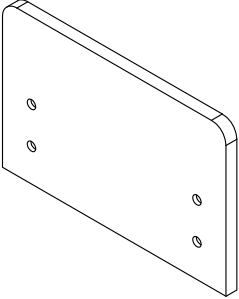
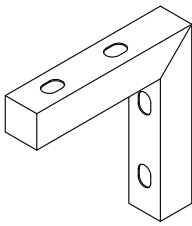
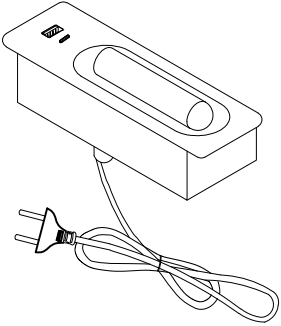
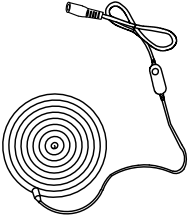
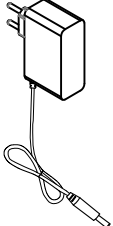
f) It is necessary to ventilate the room in order to maintain a low level moisture and prevent mold growth in the bed and its periphery.

g) Joining devices should always be tightened properly and regularly verified. Tighten if necessary.

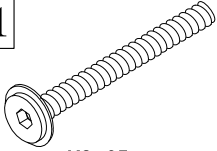
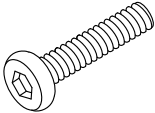
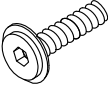

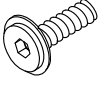
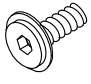

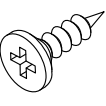
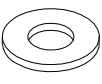
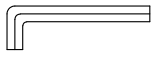
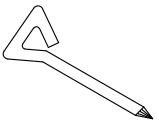
Part list N604P265967/N604P265871

<p>A 1PC</p> 	<p>B 1PC</p> 	<p>C 4PCS</p> 	
<p>D1 1PC</p> 	<p>D2 1PC</p> 	<p>D3 1PC</p> 	
<p>D4 1PC</p> 	<p>E 1PC</p> 	<p>G 2PCS</p> 	
<p>H 10PCS</p> 	<p>I1 1PC</p> 	<p>I2 1PC</p> 	<p>L 1PC</p> 

Part list N604P265968/N604P265872

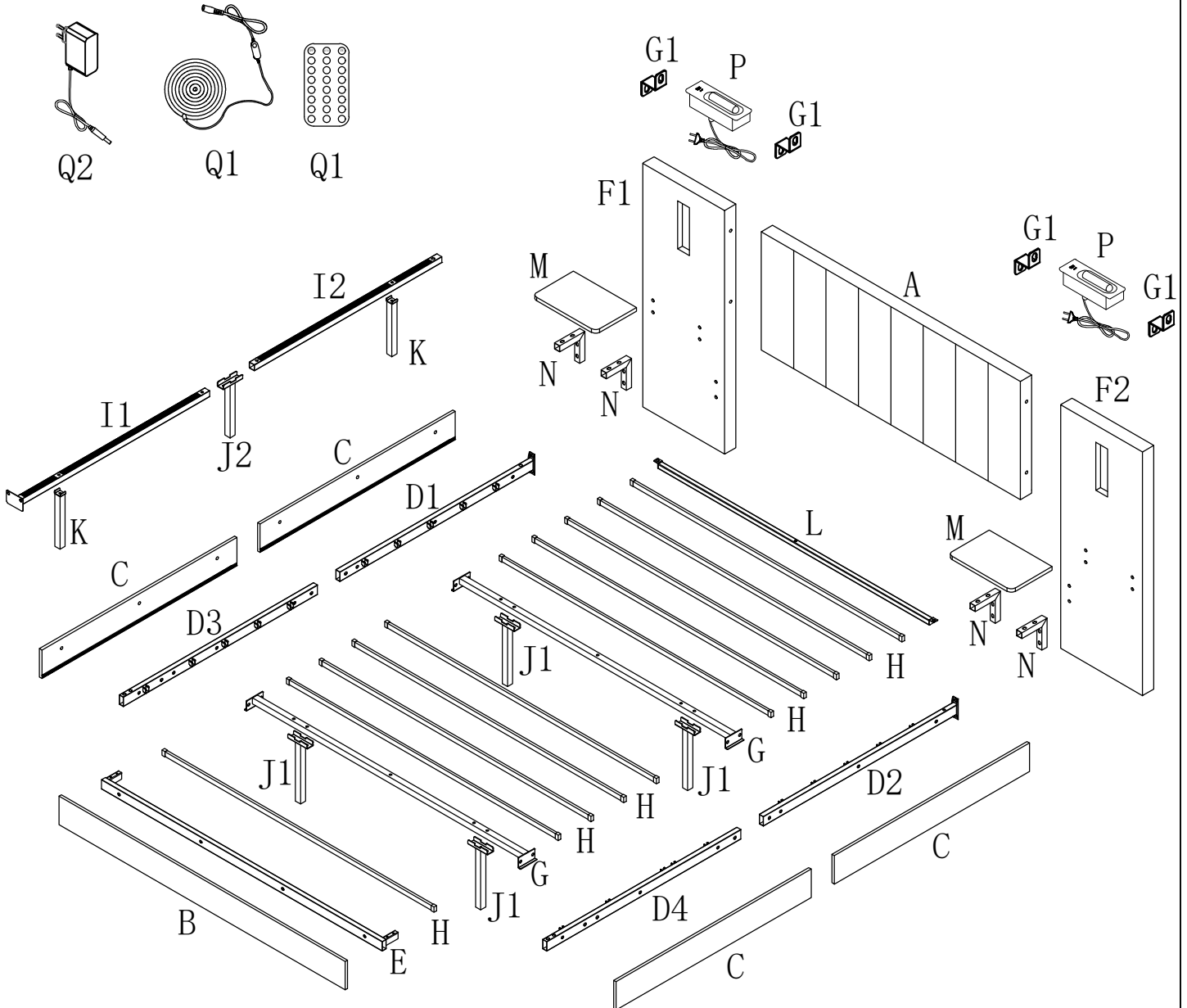
F1		1PC	F2		1PC	G1		4PCS			
J1		4PCS	J2		1PC	K		2PCS	M		2PCS
N		4PCS	P		2PCS	Q1		1PC	Q2		1PC

Hardware list N604P265868/N604P265872

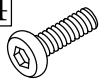

X1		M8*65mm 3PCS	X2		M8*55mm 8PCS	X3		M8*35mm 19PCS	X4		M8*32mm 20PCS	X5		M8*27mm 4PCS			
X6		M8*22mm 8PCS	X7		M8*16mm 8PCS	X8		M3*15mm 8PCS	X9		Ø22*Ø8.5 4PCS	Z1		M8 1PC	Z2		M8 1PC

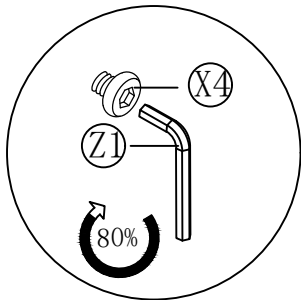
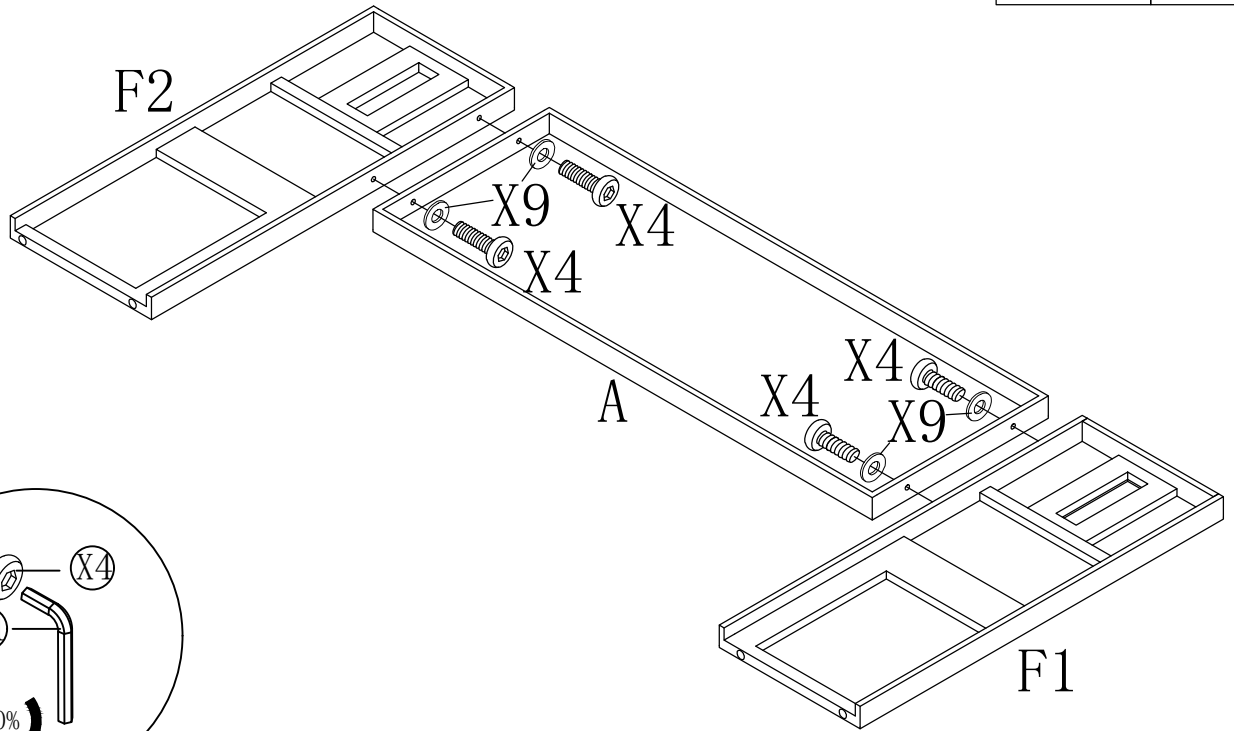
Detail View

NOTE: Please do not completely tighten all the hardware until the entire assembly is complete!

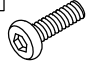


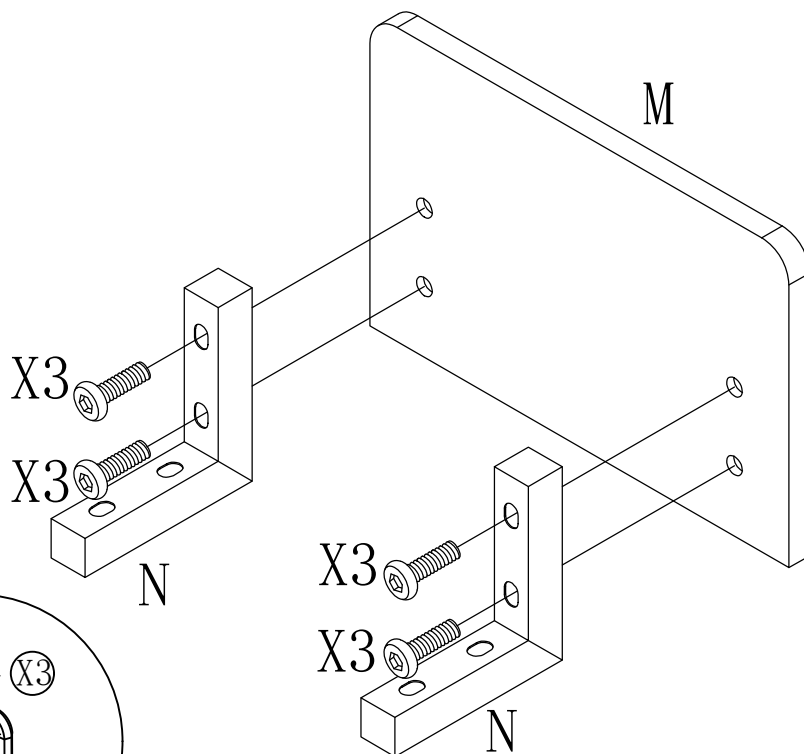
step1

X4	X9
	
4PCS	4PCS

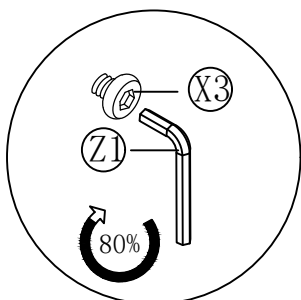


step2

X3

8PCS

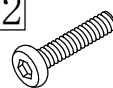


2X

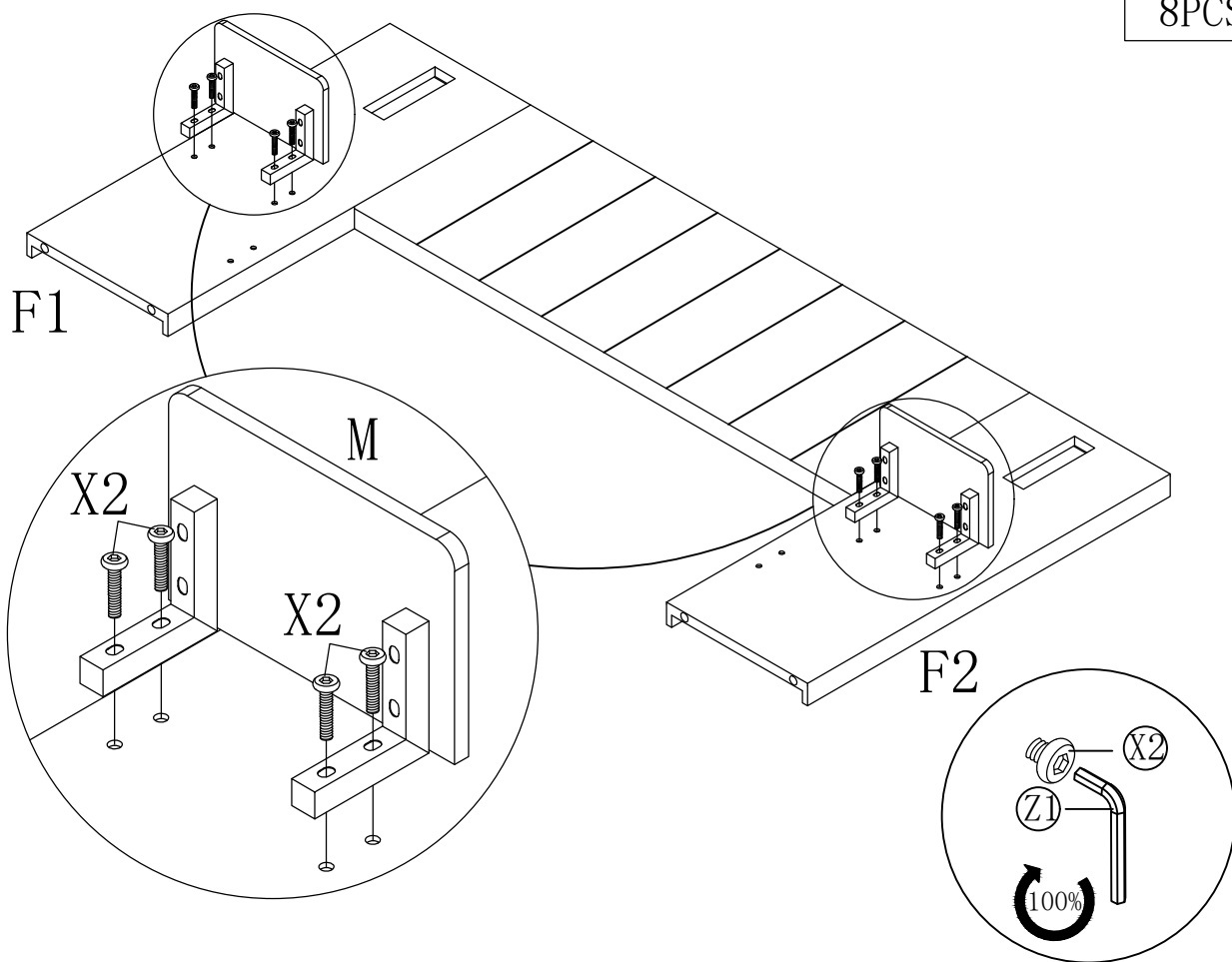


step3

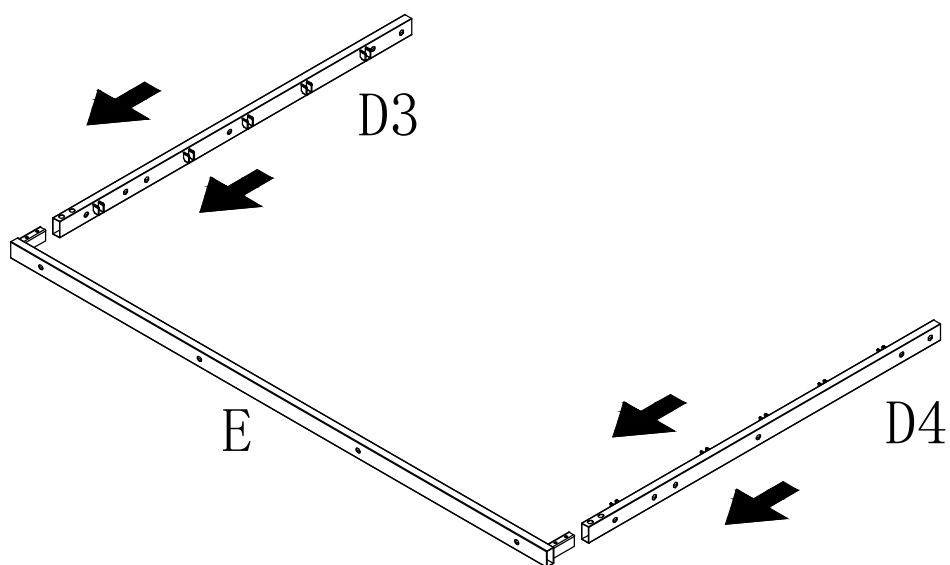
X2



8PCS



step4

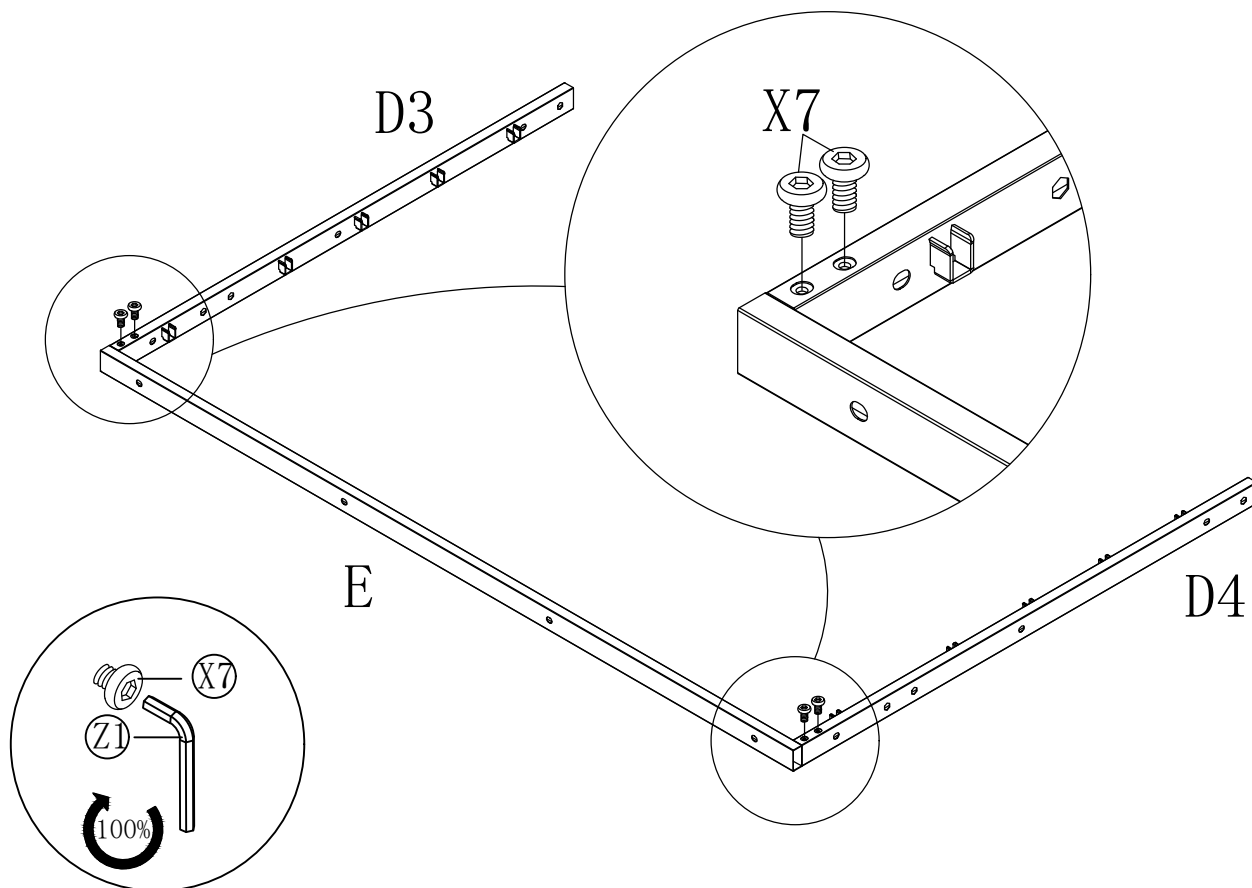


step5

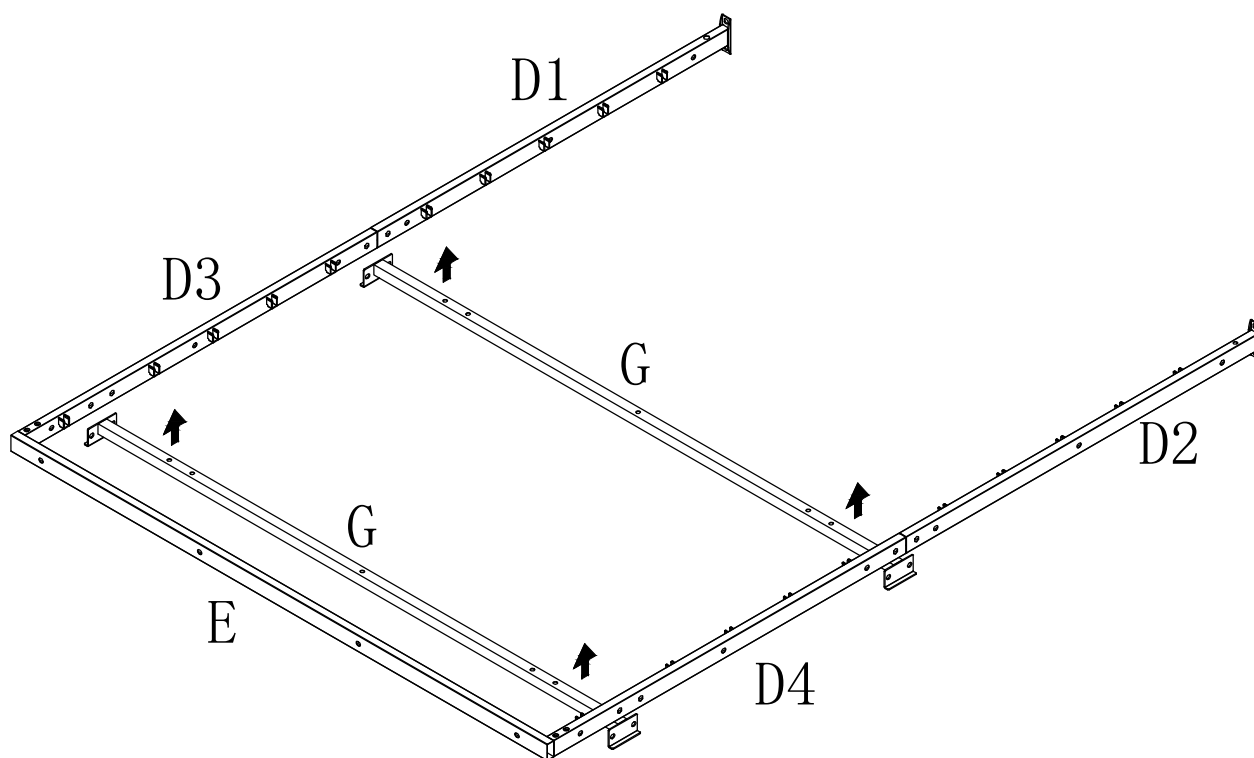
X7



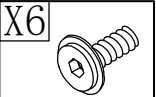
4PCS



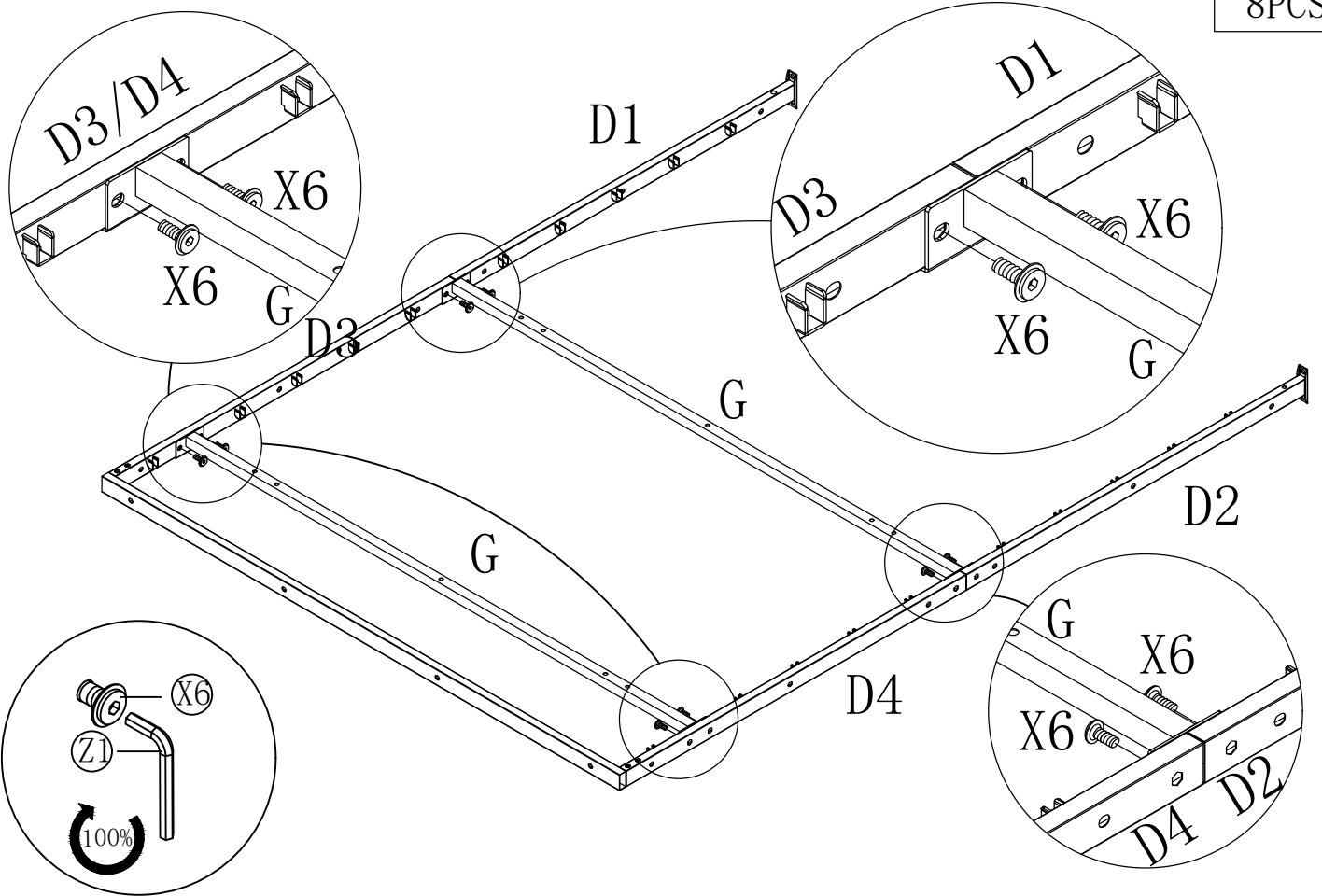
step6



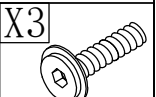
step7



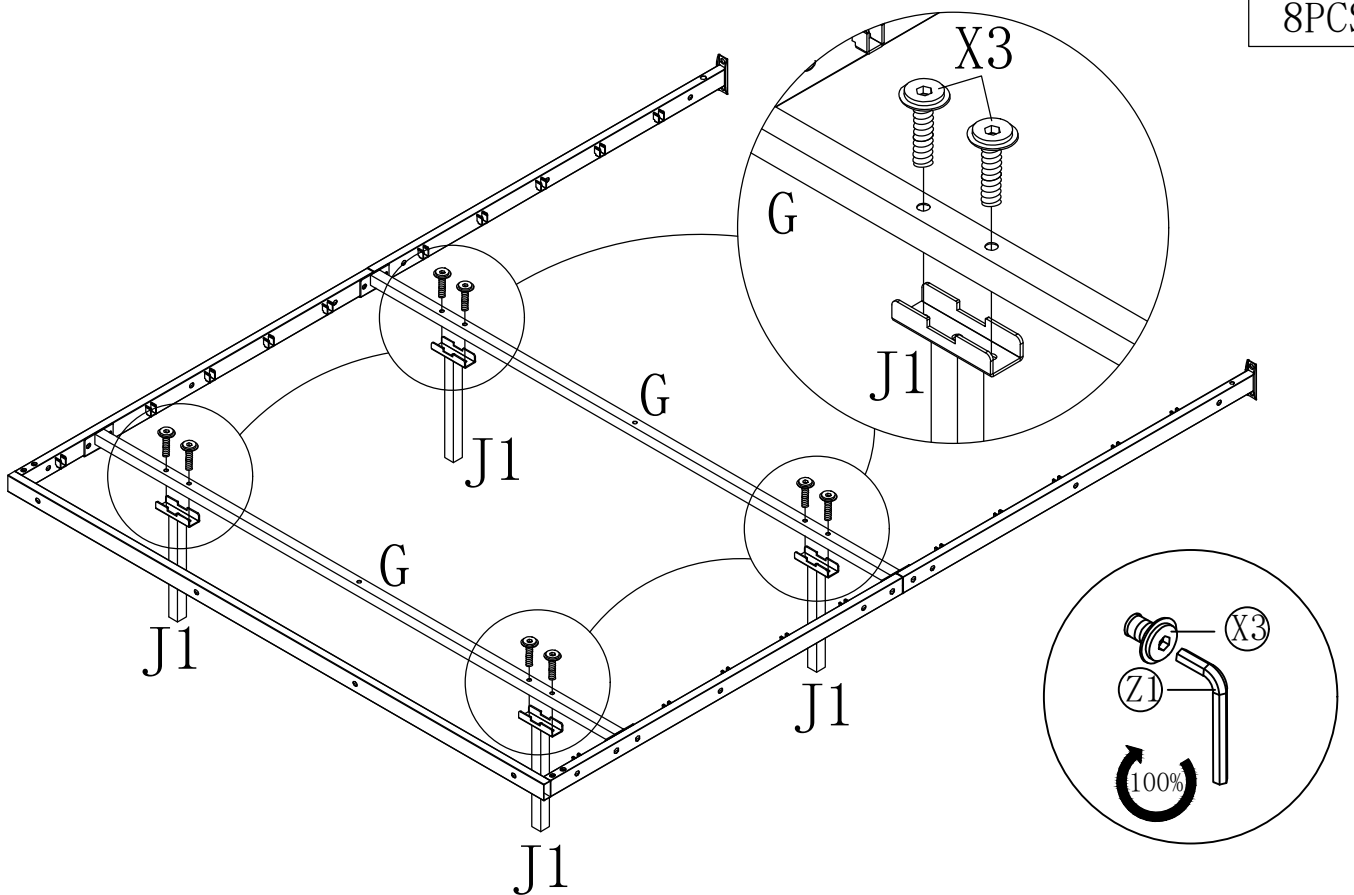
8PCS



step8

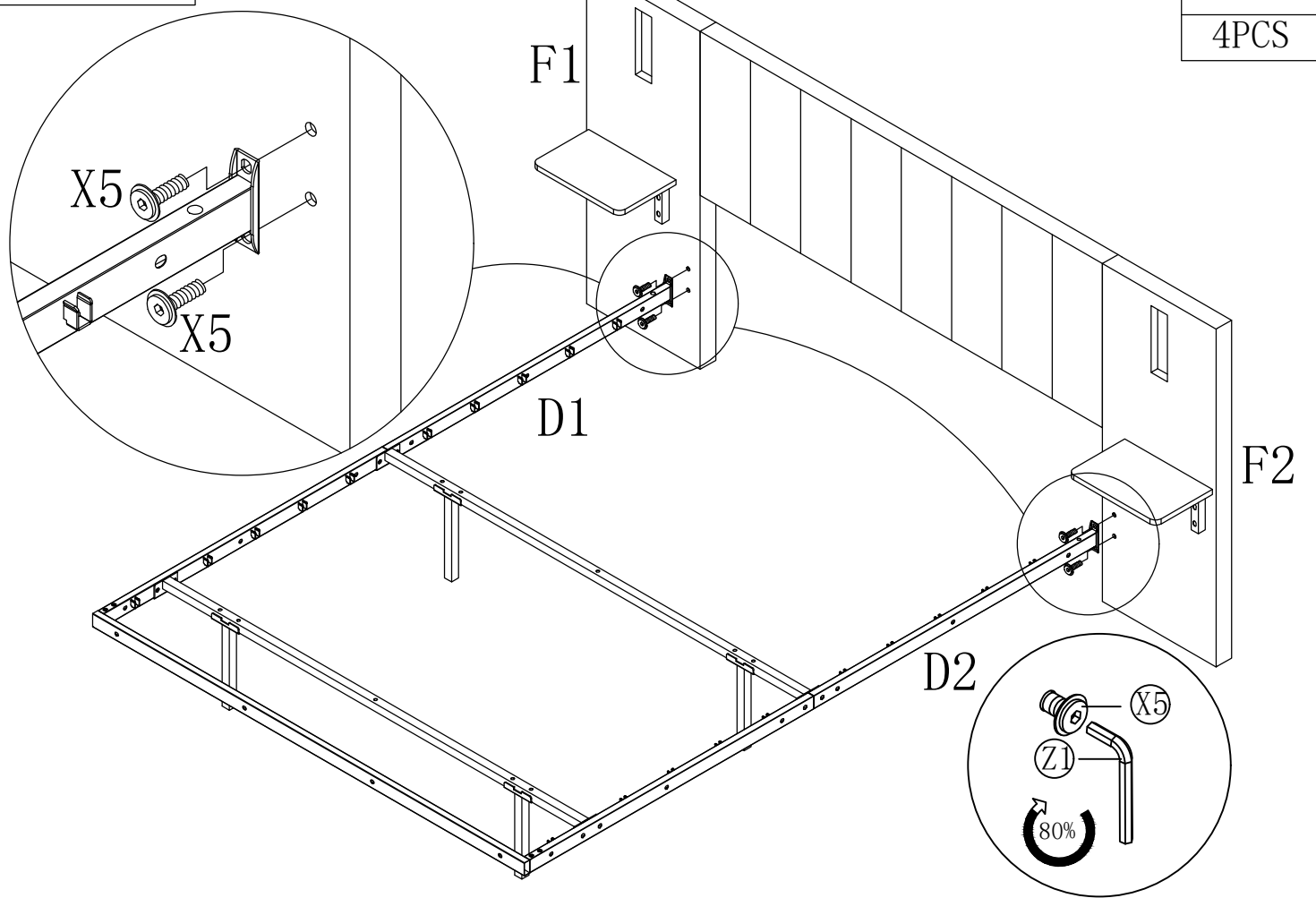


8PCS



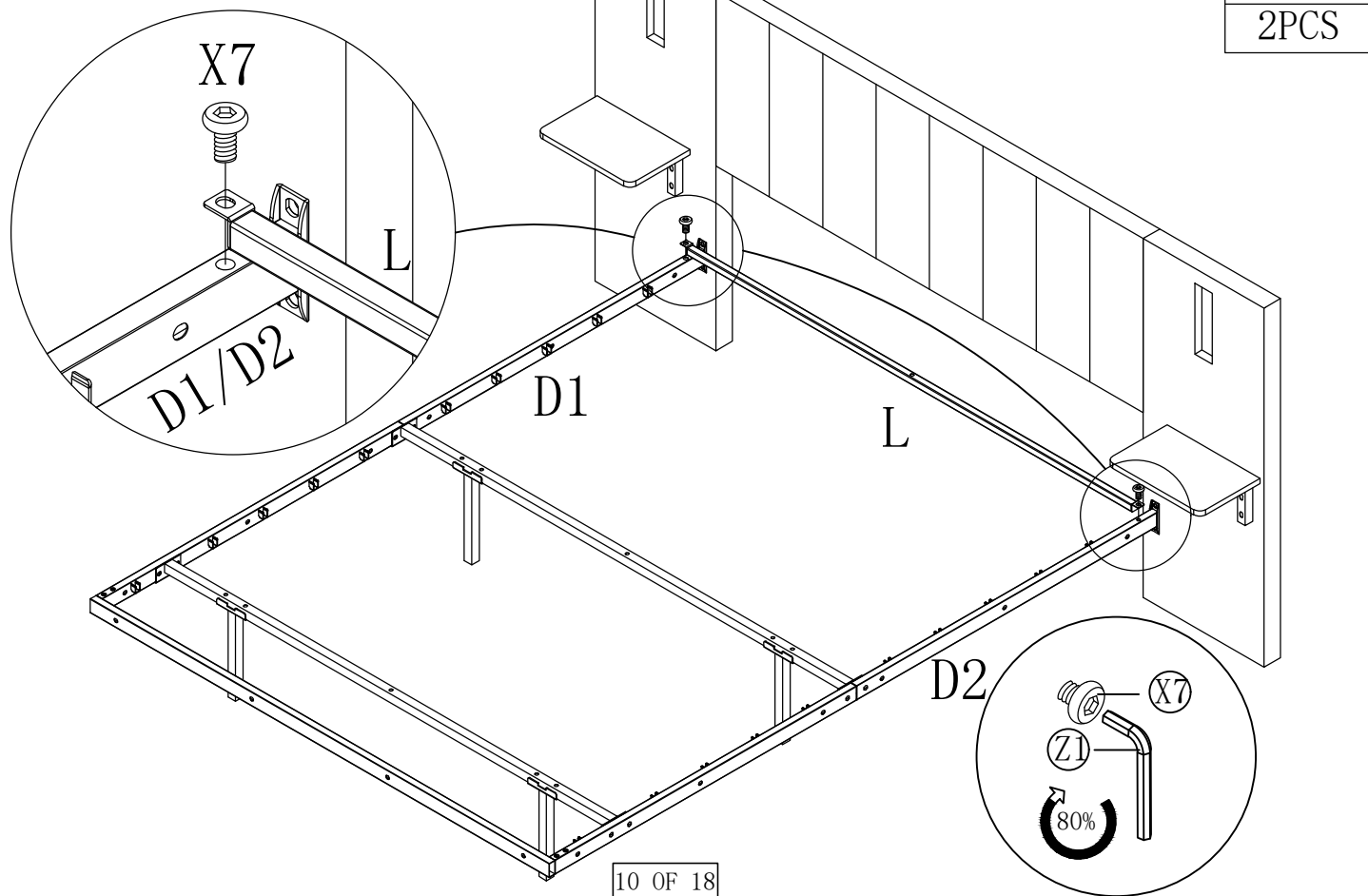
step9

X5
4PCS

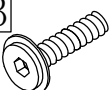


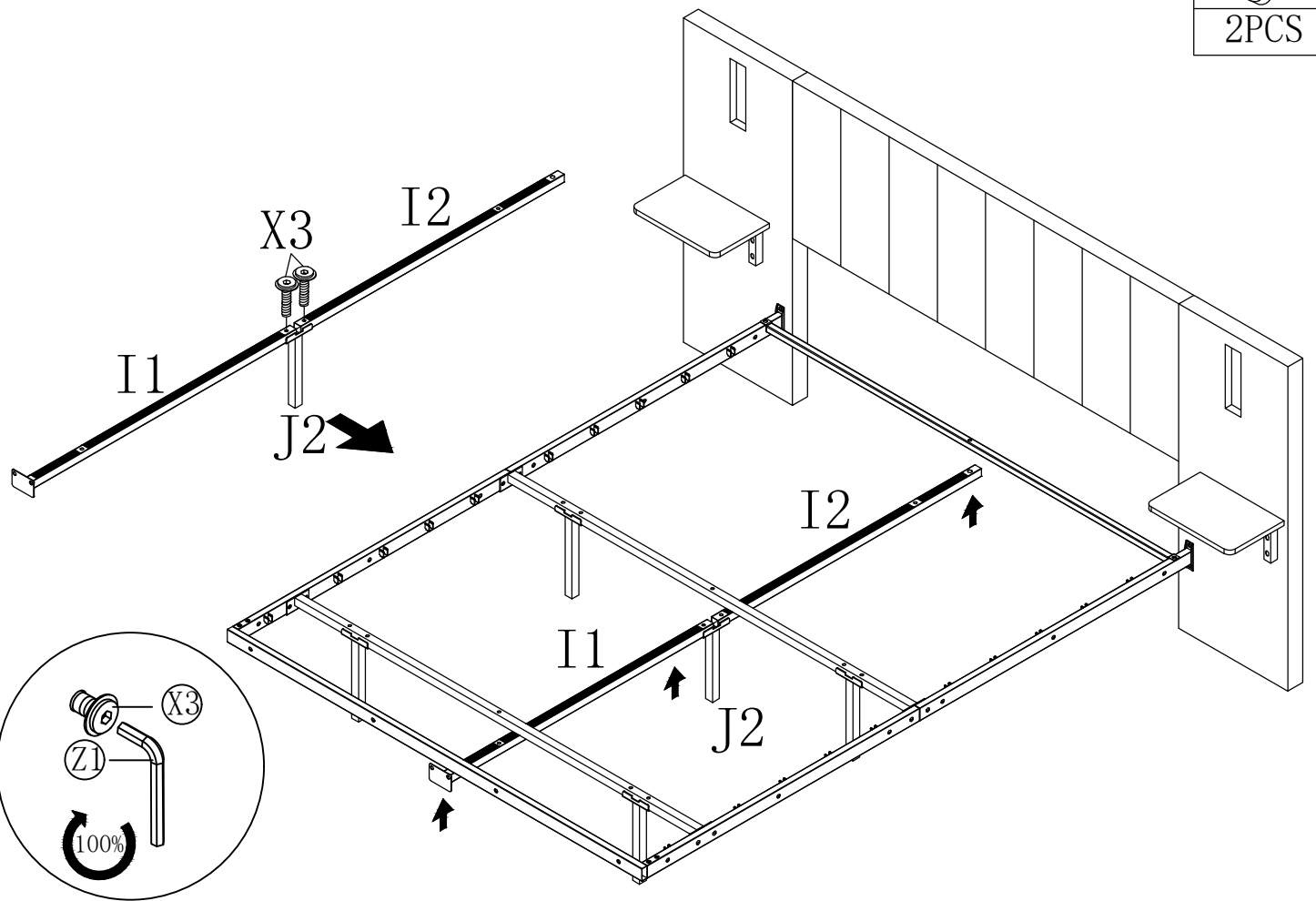
step10

X7
2PCS

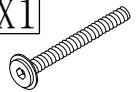



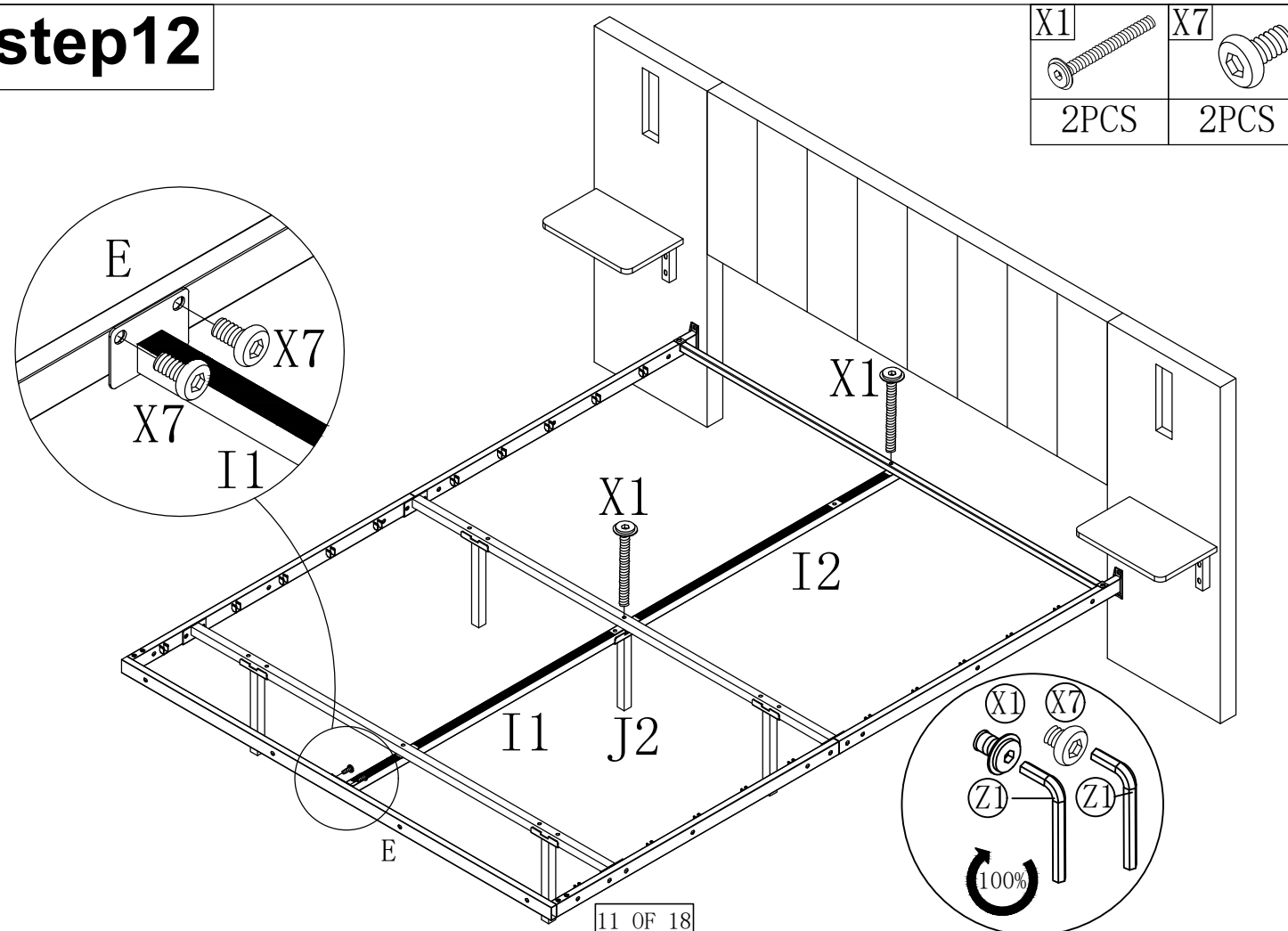
step11

X3

2PCS

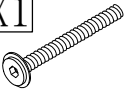
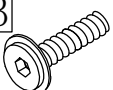


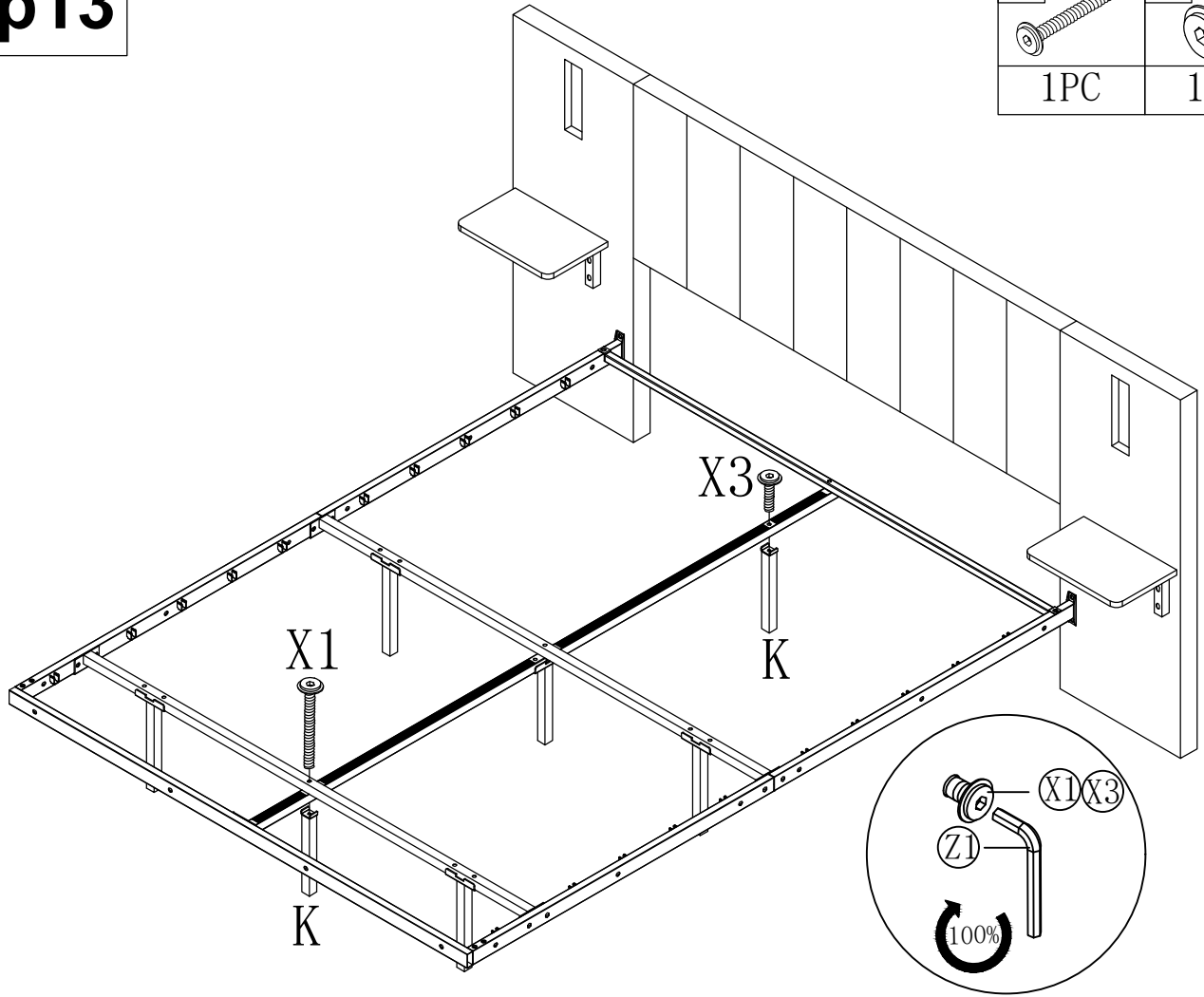
step12

X1	X7
	
2PCS	2PCS

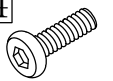


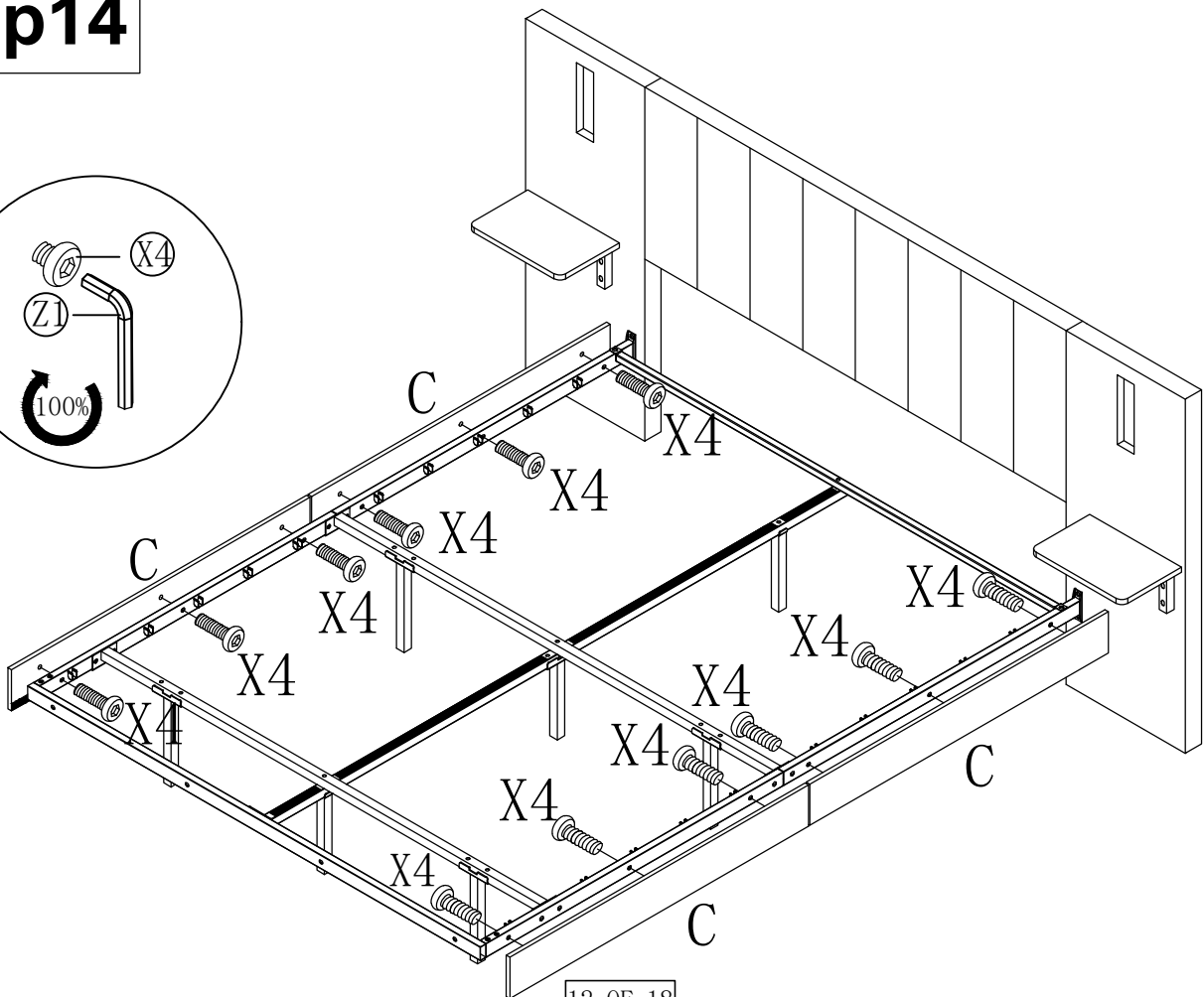
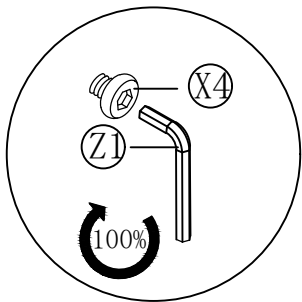
step13

X1	X3
	
1PC	1PC



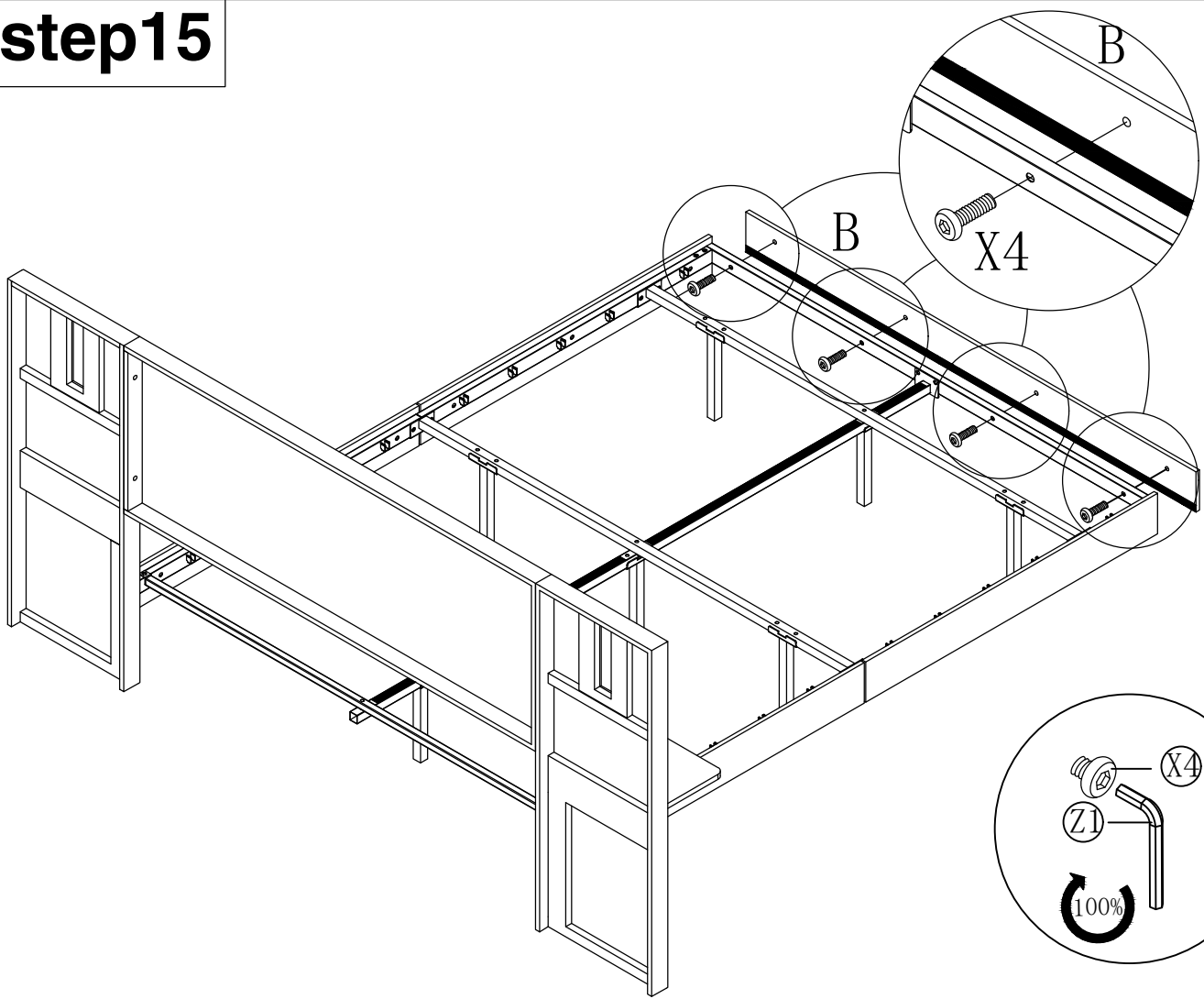
step14

X4

12PCS

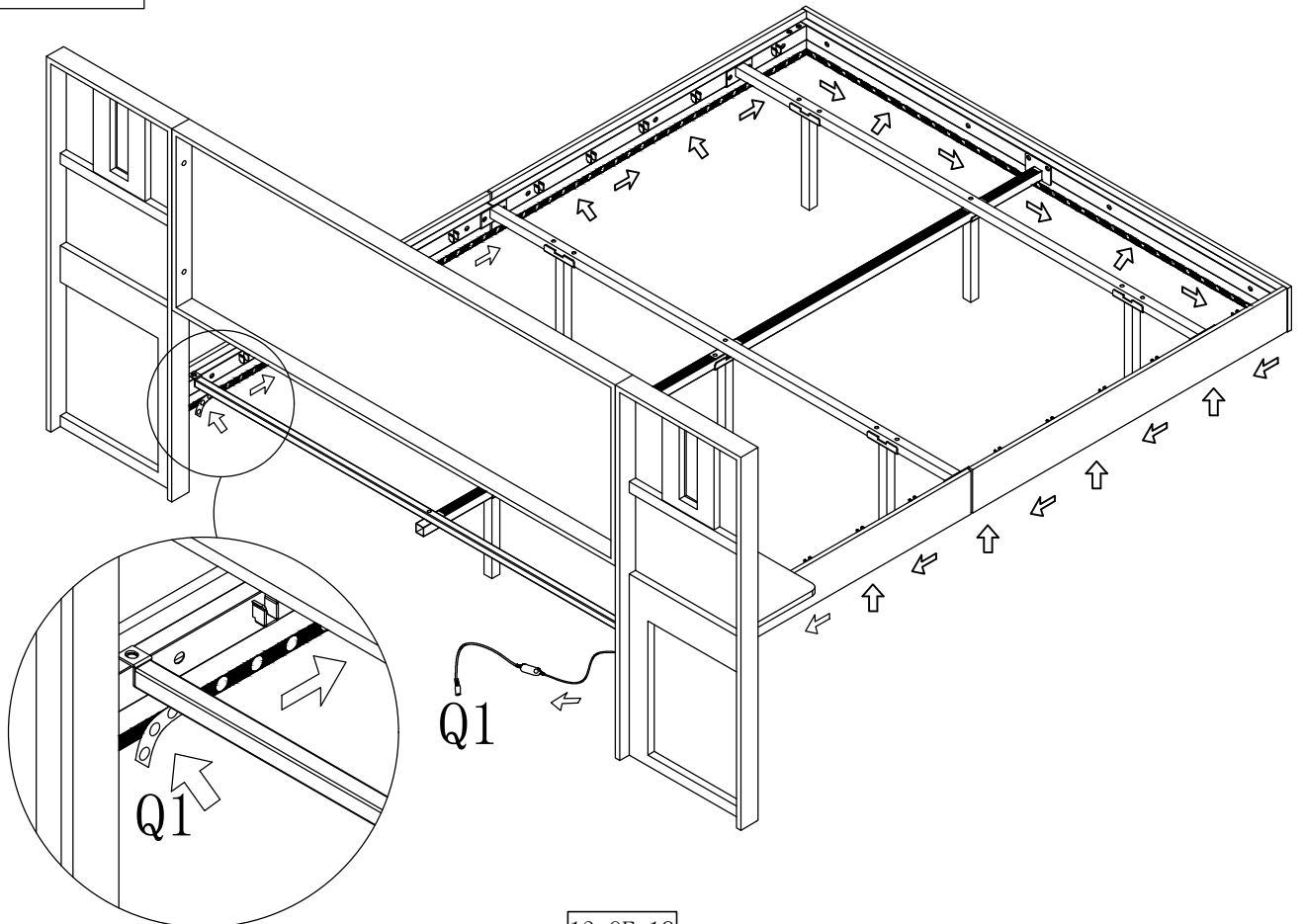


step15

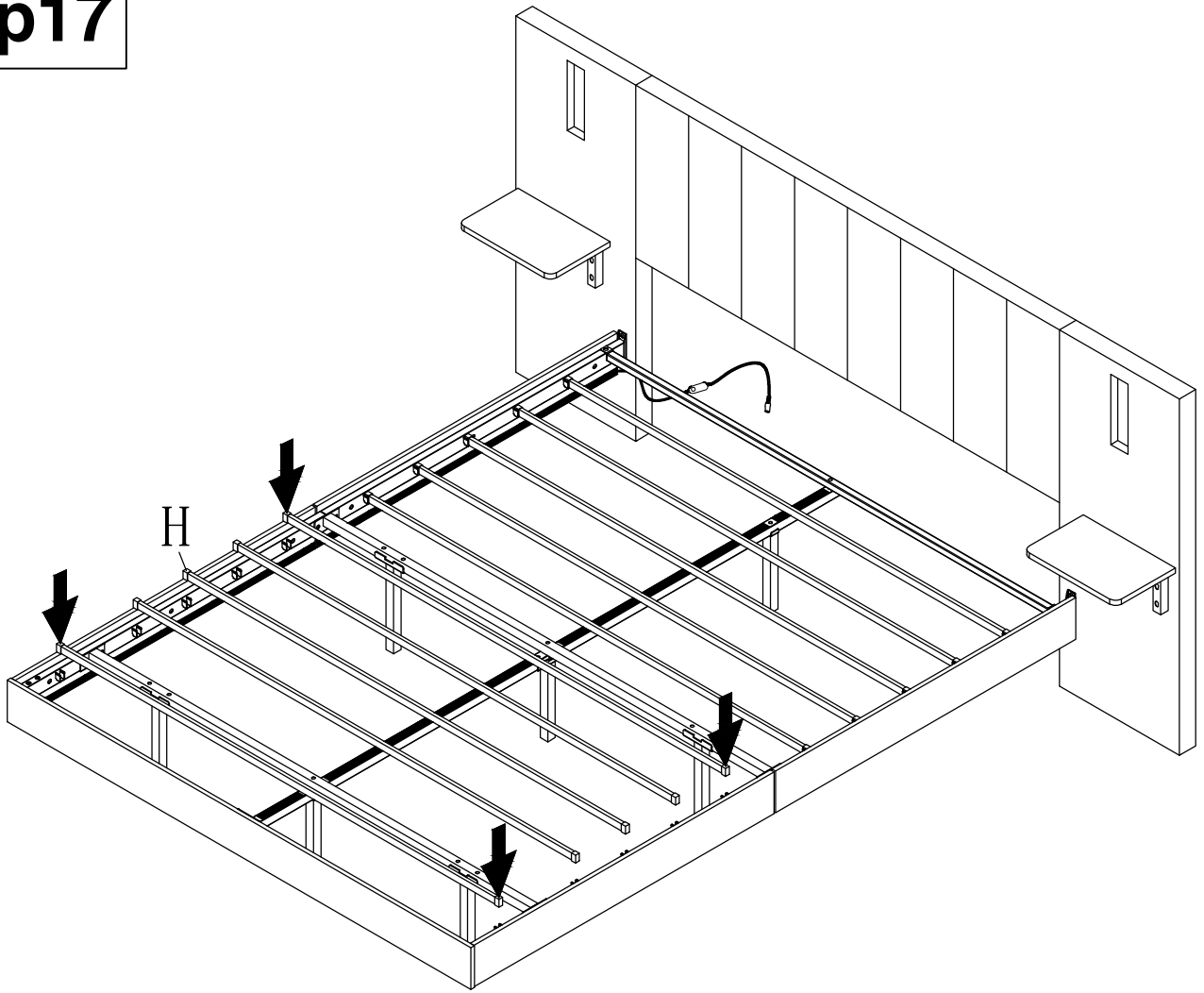
X4
4PCS



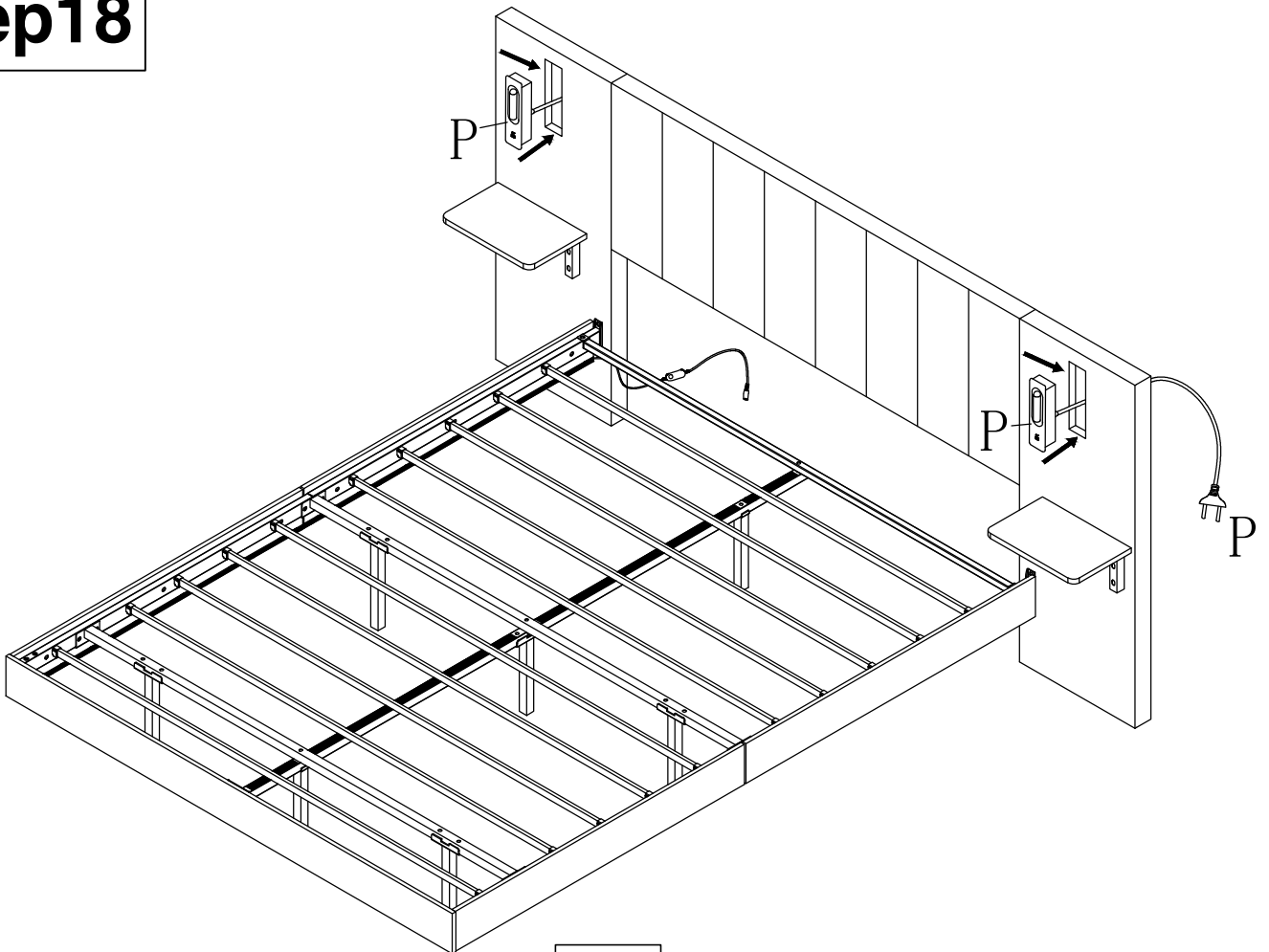
step16



step17



step18

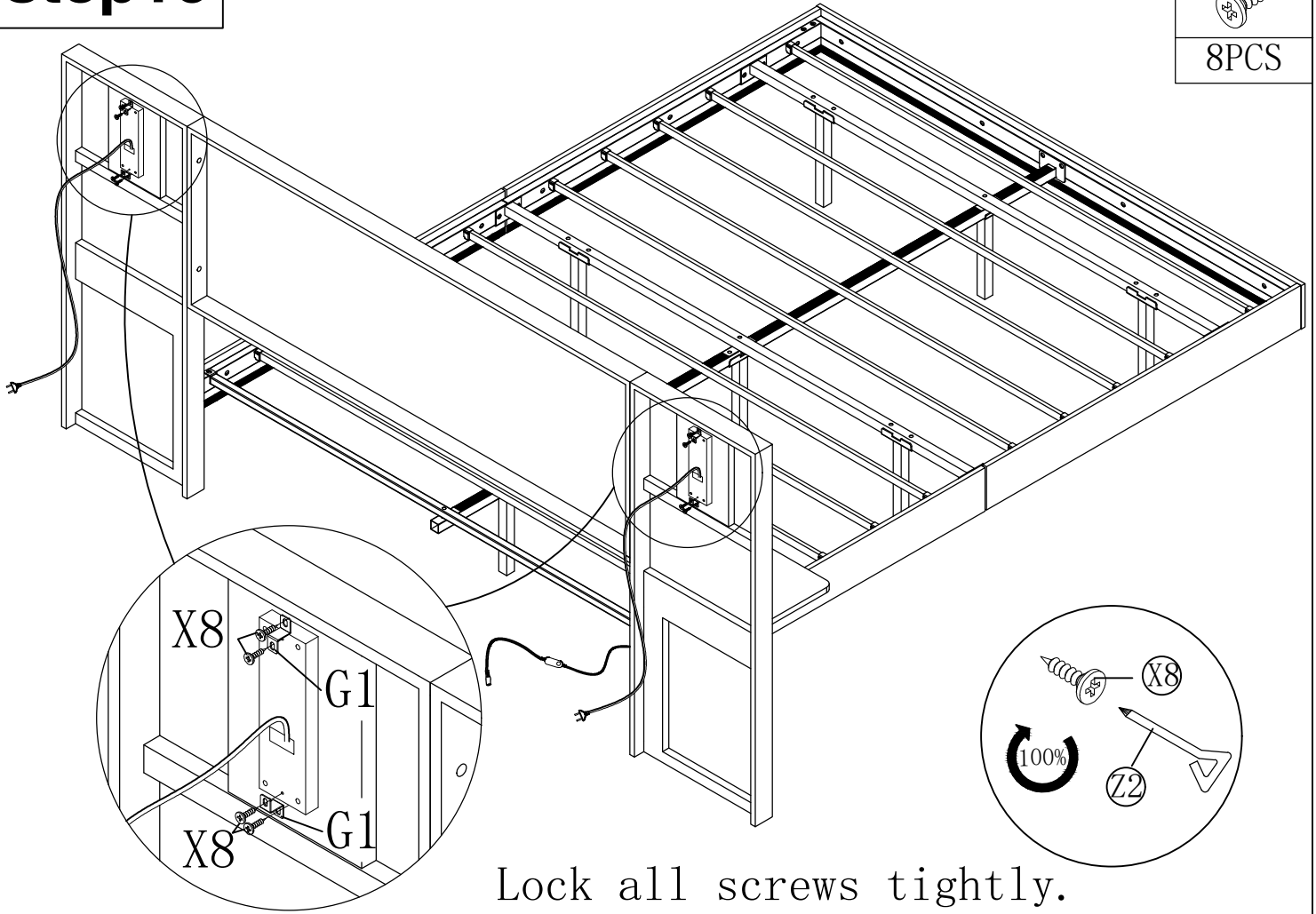


step19

X8

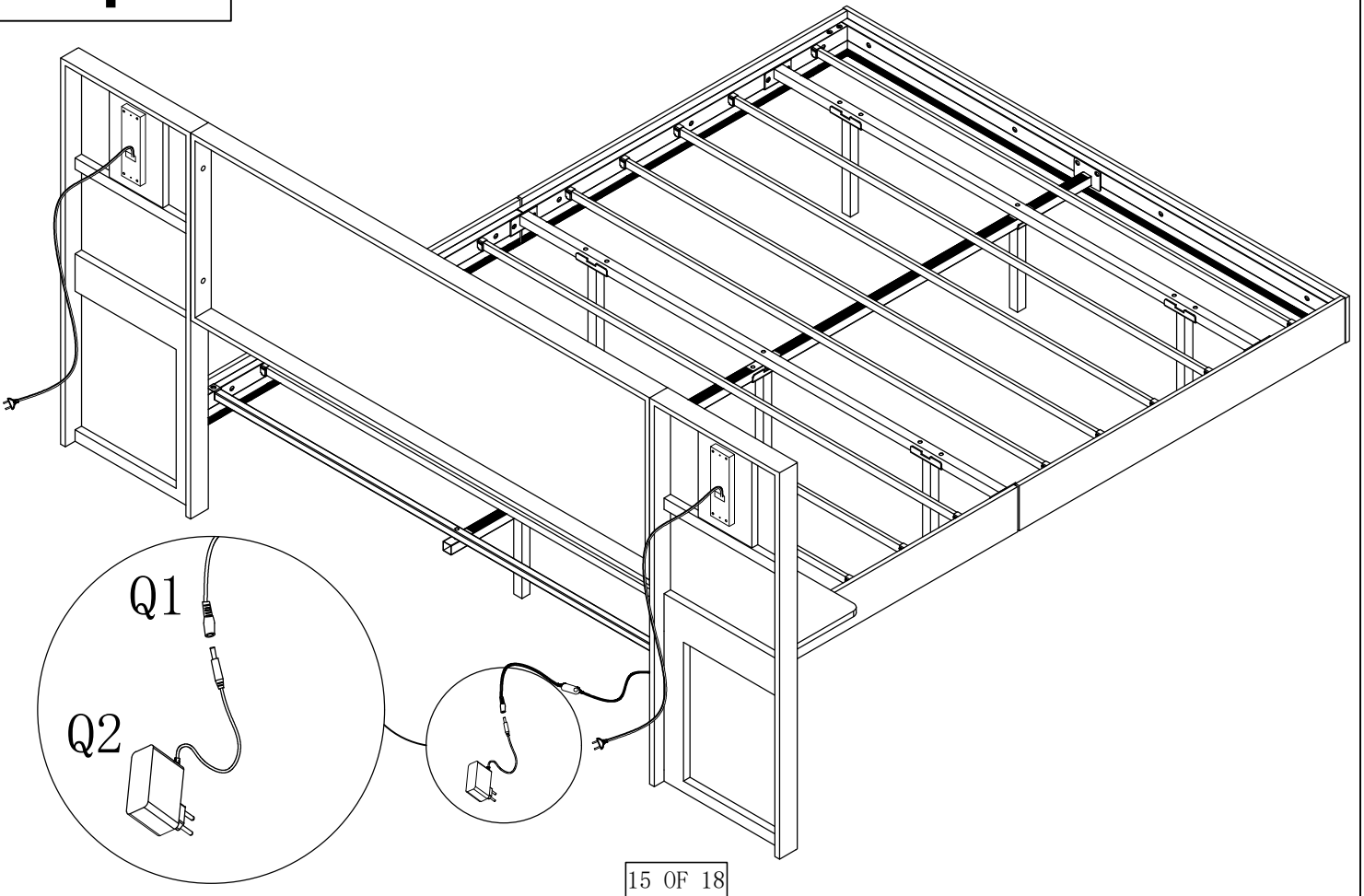


8PCS

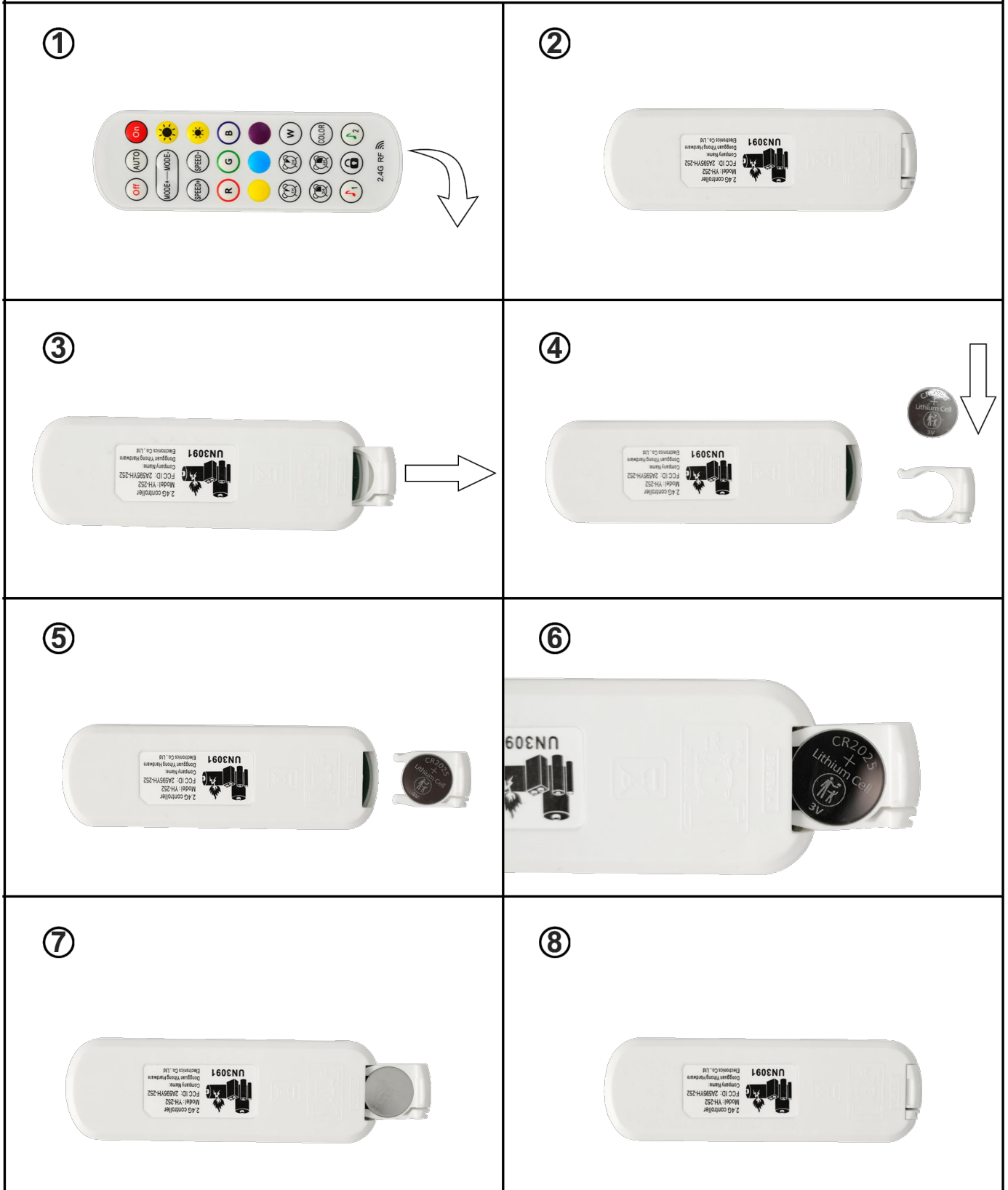


Lock all screws tightly.

step20



- GB** – NOTE: The battery in the remote control requires you to purchase and install it yourself.
Model: CR2025 3.V
- DE** – HINWEIS: Die Batterie in der Fernbedienung müssen Sie selbst kaufen und installieren
Modell: CR2025 3.V
- FR** – REMARQUE : la pile de la télécommande doit être achetée et installée par vos soins.
Modèle : CR2025 3.V
- IT** – NOTA: la batteria del telecomando deve essere acquistata e installata autonomamente.
Modello: CR2025 3.V
- ES** – NOTA: La pila del mando a distancia debe comprarla e instalarla usted mismo
Modelo CR2025 3.V



Certificate of Conformity



Certificate Number: JKC20241120916EN

Holder of Certificate ..: Zhangzhou Jinhe Electronic Technology Co., Ltd

Address.....: Jiao Mei Zhen Hong Jian Cun Jiao Song, Taiwan
Merchants Investment Zone, Zhangzhou, Fujian
Province 3rd Floor, Building C, No. 59 Road

Manufacturer.....: Zhangzhou Jinhe Electronic Technology Co., Ltd

Address.....: Jiao Mei Zhen Hong Jian Cun Jiao Song, Taiwan
Merchants Investment Zone, Zhangzhou, Fujian
Province 3rd Floor, Building C, No. 59 Road

Trademark.....: /

Product Name.....: JH-15

Model(s): JH-15, JH-51, JH-52, JH-53, JH-54, JH-55,
JH-56, JH-57, JH-58, JH-59, JH-60

Rating.....: AC85-250V, 12A, 150W

Test Standard.....: EN 55032:2015/A1:2020
EN 55035:2017+A11:2020
EN IEC61000-3-2:2019+A1:2021
EN 61000-3-3:2013+A2:2021

Directives.....: EMC Directive 2014/30/EU

Report Number.....: JKC20241120916

Remark: The certificate of conformity is based on an evaluation of sample if the above mentioned product. Complies with the requirements of European Community EMC Directive 2014/30/EU. This declaration applies to all specimens manufactured in accordance with the attached manufacturing drawing which form part of this declaration.



Murphy Chen

Murphy Chen,
Department Manager
Date: Nov. 20, 2024

JieKe (Shenzhen) Testing Technology Co., Ltd.

4A06, No.93, Qianjin Second Road, 81 District, Hexi Community, Xixiang Street, Bao'an District,
Shenzhen, China

✉ jiekejiance@yeah.net 🌐 www.jktf-lab.com

Shenzhen ZKT Technology Co., Ltd.
 1/F, No. 101, Building B, No. 6, Tangwei Community Industrial Avenue,
 Fuhai Street, Bao'an District, Shenzhen, China



Certificate of Compliance

Certificate Number: ZKT-2403202772C

Certificate's Holder : Shenzhen Pinchengxin Technology Co., Ltd
 3rd Floor, 8th Building Yuanling Industrial Zone, No. 39
 Yuanlingcun Road, Shiyan Street, Bao'an District,
 Shenzhen

Manufacturer : Shenzhen Pinchengxin Technology Co., Ltd
 3rd Floor, 8th Building Yuanling Industrial Zone, No. 39
 Yuanlingcun Road, Shiyan Street, Bao'an District,
 Shenzhen

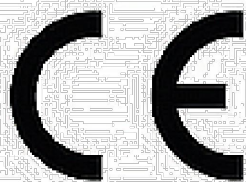
Trade Mark : N/A

Product : 5050 RGB LED Strip Lights with Bluetooth App Controller
 and 2.4G Remote

Model(s) : 5050 RGB LED Strip Lights

Test Standard	Art.3.1(a) Safety	EN IEC 62368-1:2020+A11:2020
	Art.3.1(a) Health	EN IEC 62311:2020 EN 50665:2017
	Art.3.1(b) EMC	ETSI EN 301 489-1 V2.2.3 (2019-11) ETSI EN 301 489-17 V3.2.4 (2020-09)
	Art.3.2 Radio	ETSI EN 300 328 V2.2.2 (2019-07)

This Attestation of Compliance is issued on a voluntary basis for electrical equipment below the voltage limits of Radio Equipment Directive (RED) 2014/53/EU. The essential requirements are fulfilled accordingly based on the technical specifications applicable at the time of issuance.



This Certificate of Conformity is based on single evaluation of the submitted sample(s) of the above mentioned product. It does not imply an assessment of the whole product and relevant Directives to be observed.

☎ +86-400 000 9970 📠 +86-755-22336688 ✉ zkt@zkt-lab.com 🌐 www.zkt-lab.com