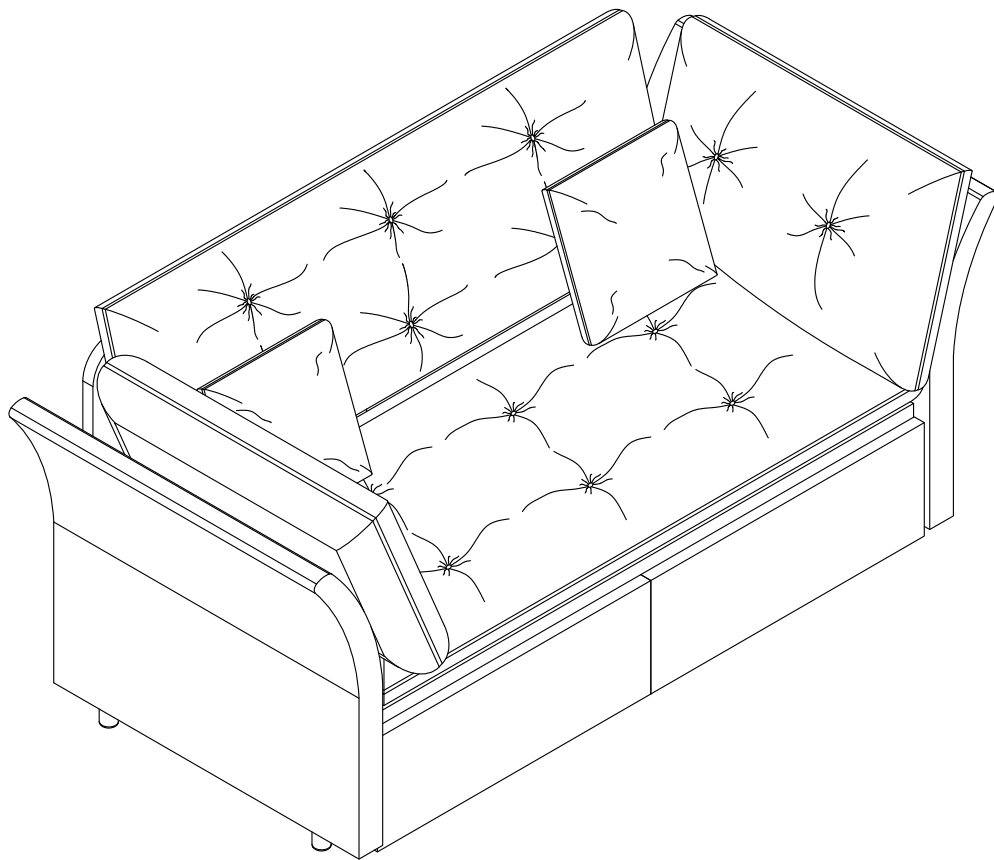
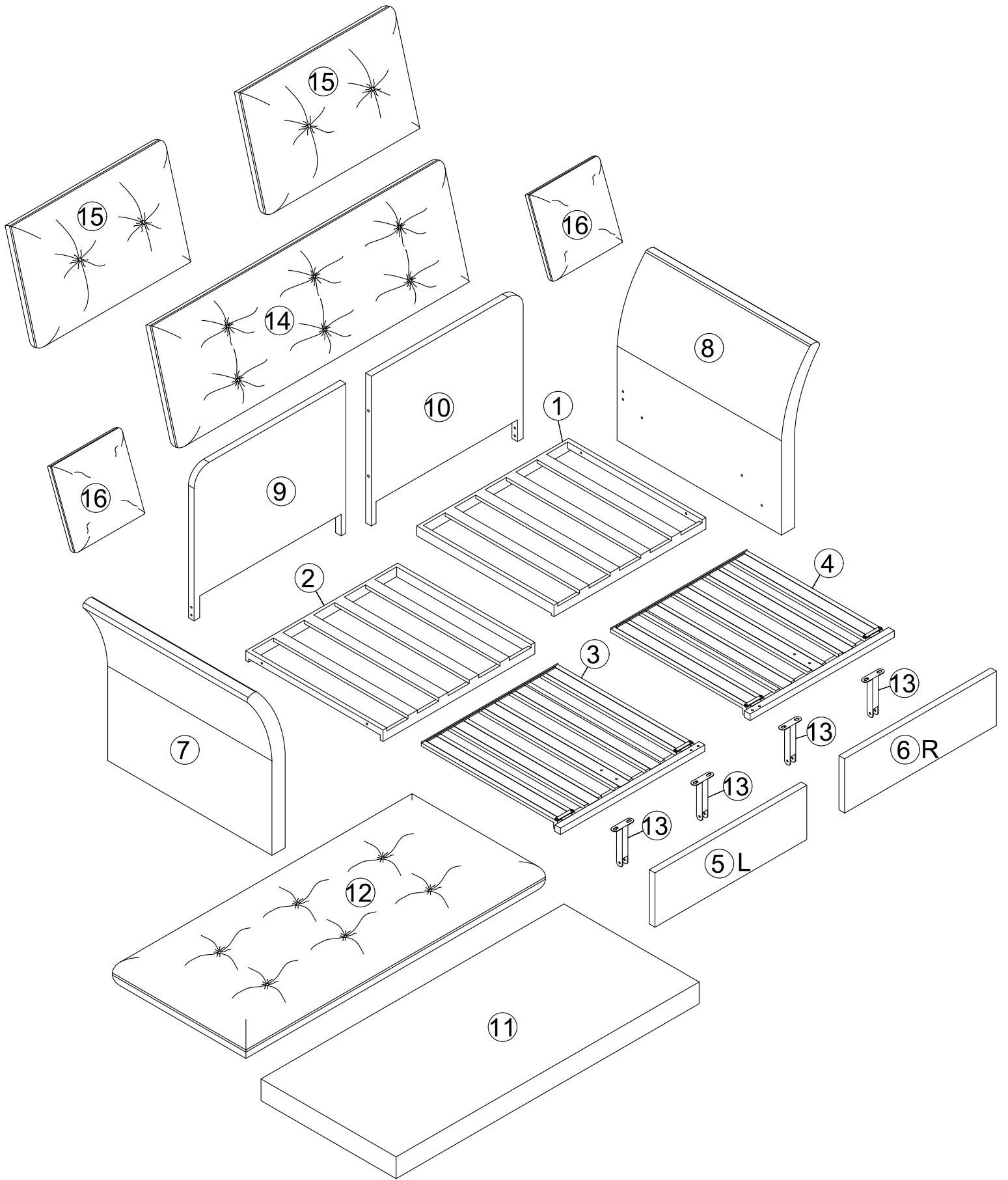
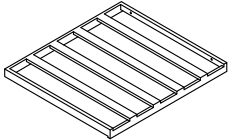
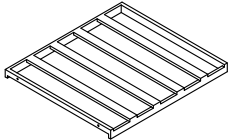
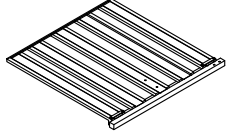
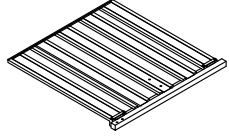
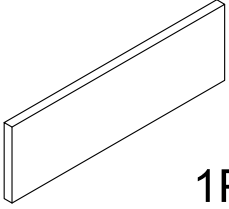
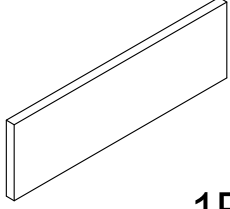
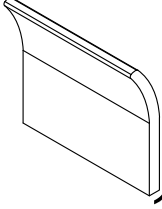
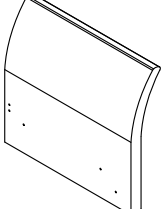
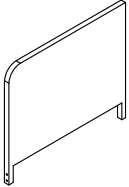
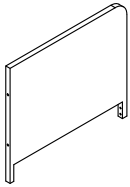
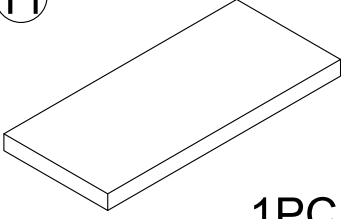
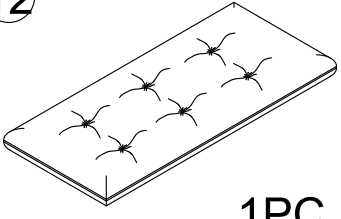
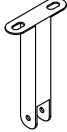
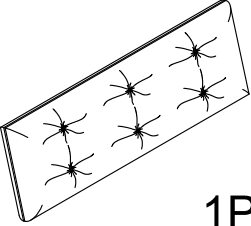
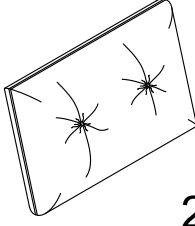
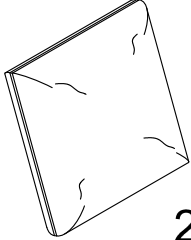


INSTALLATION INSTRUCTION

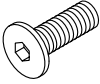
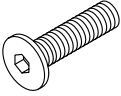
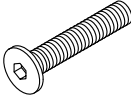
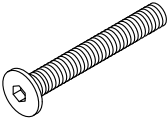
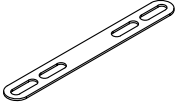
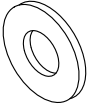
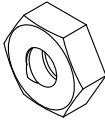

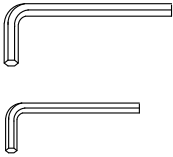
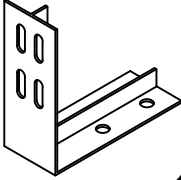
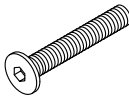
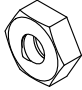
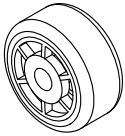
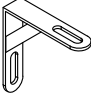

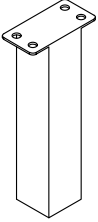
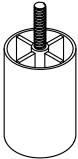




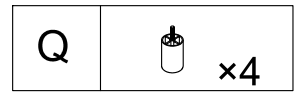
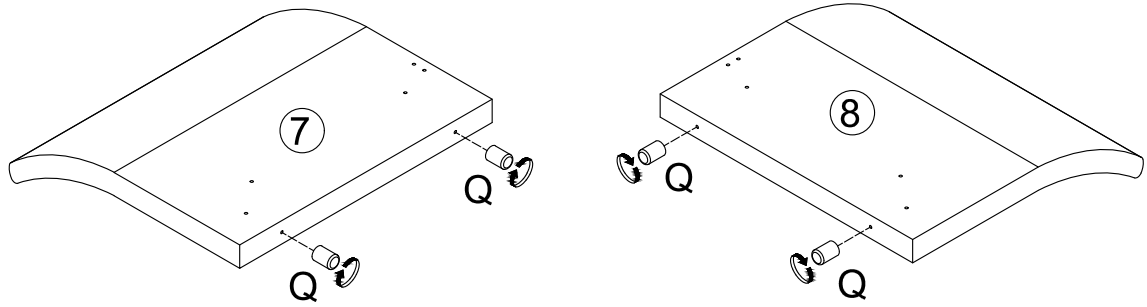
PART LIST:

<p>①</p>  <p>1PC</p>	<p>②</p>  <p>1PC</p>	<p>③</p>  <p>1PC</p>	<p>④</p>  <p>1PC</p>
<p>⑤</p>  <p>1PC</p>	<p>⑥</p>  <p>1PC</p>	<p>⑦</p>  <p>1PC</p>	<p>⑧</p>  <p>1PC</p>
<p>⑨</p>  <p>1PC</p>	<p>⑩</p>  <p>1PC</p>	<p>⑪</p>  <p>1PC</p>	<p>⑫</p>  <p>1PC</p>
<p>⑬</p>  <p>4PCS</p>	<p>⑭</p>  <p>1PC</p>	<p>⑮</p>  <p>2PCS</p>	<p>⑯</p>  <p>2PCS</p>

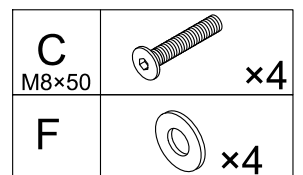
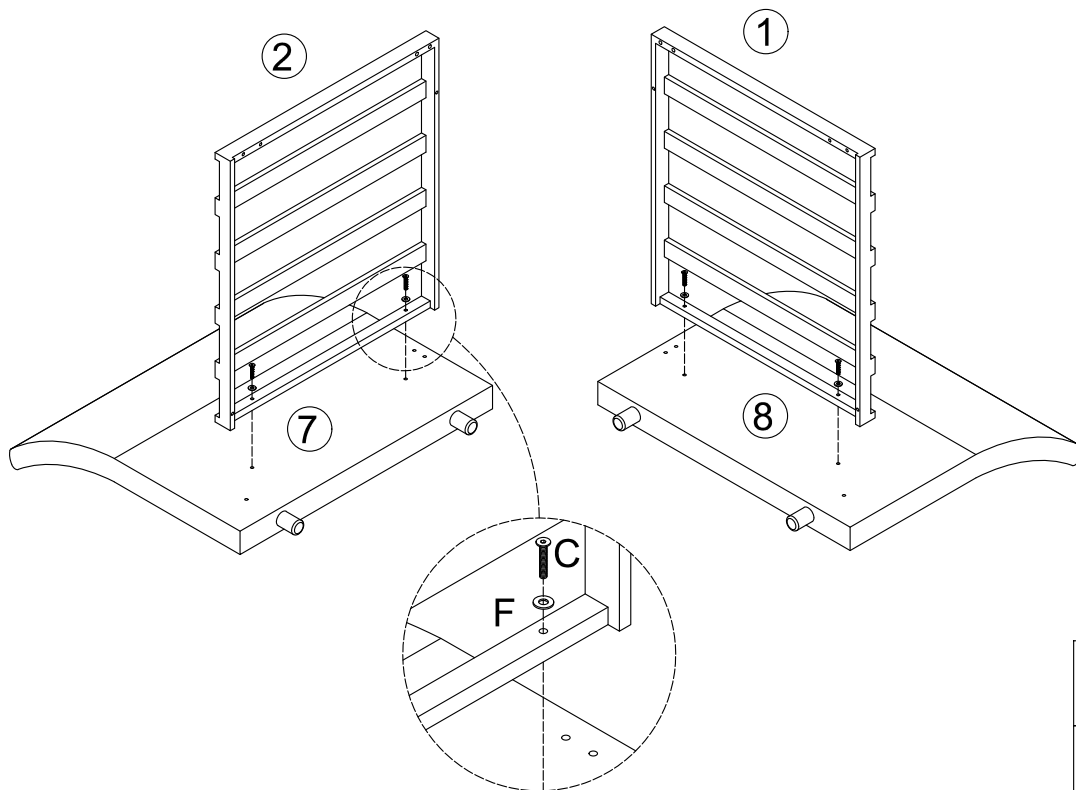
HARDWARE LIST:

<p>A</p>  <p>M8x20 36PCS</p>	<p>B</p>  <p>M8x30 4PCS</p>	<p>C</p>  <p>M8x50 12PCS</p>	<p>D</p>  <p>M8x80 1PC</p>
<p>E</p>  <p>1PC</p>	<p>F</p>  <p>M8 10PCS</p>	<p>G</p>  <p>M8 1PC</p>	<p>H</p>  <p>2PCS</p>
<p>I</p>  <p>M8 M6 1PC</p>	<p>J</p>  <p>1PC</p>	<p>K</p>  <p>M6x35 10PCS</p>	<p>L</p>  <p>M6 10PCS</p>
<p>M</p>  <p>10PCS</p>	<p>N</p>  <p>2PCS</p>	<p>O</p>  <p>M8 M6 1PC</p>	<p>P</p>  <p>1PC</p>
<p>Q</p>  <p>4PCS</p>			

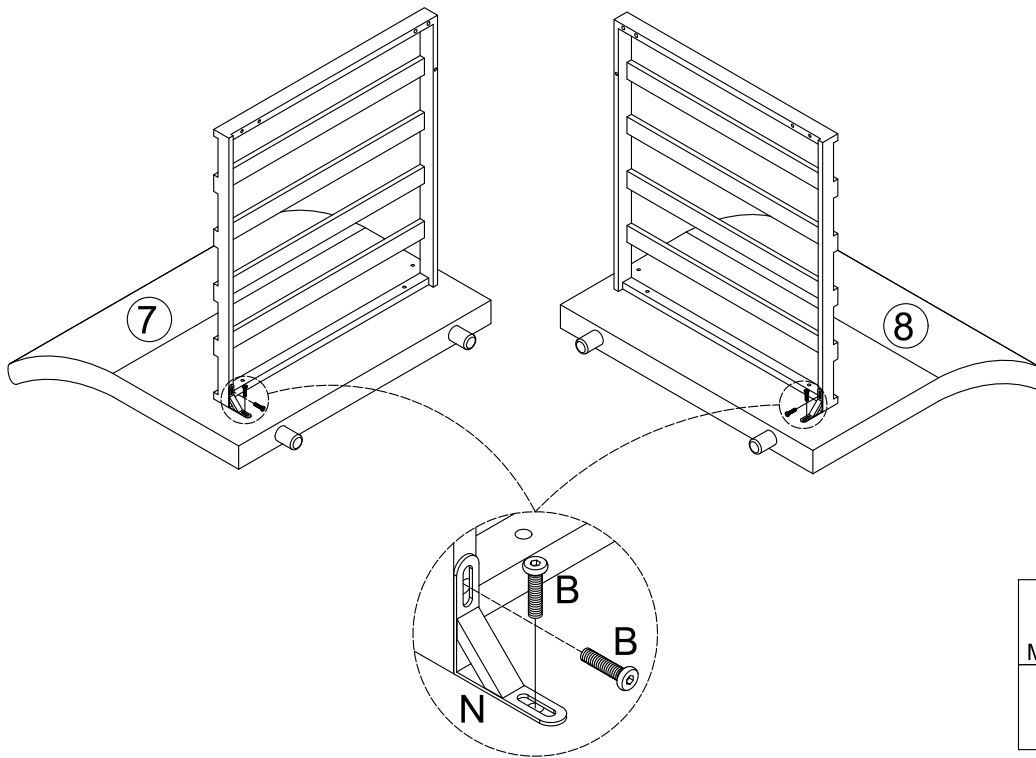
Step 1



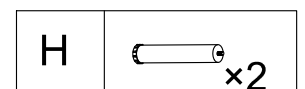
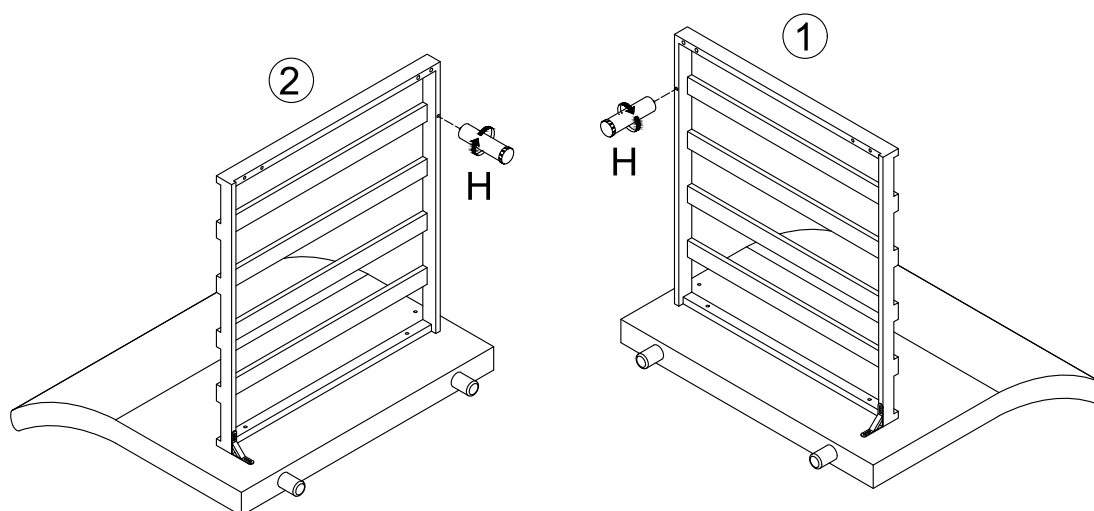
Step 2



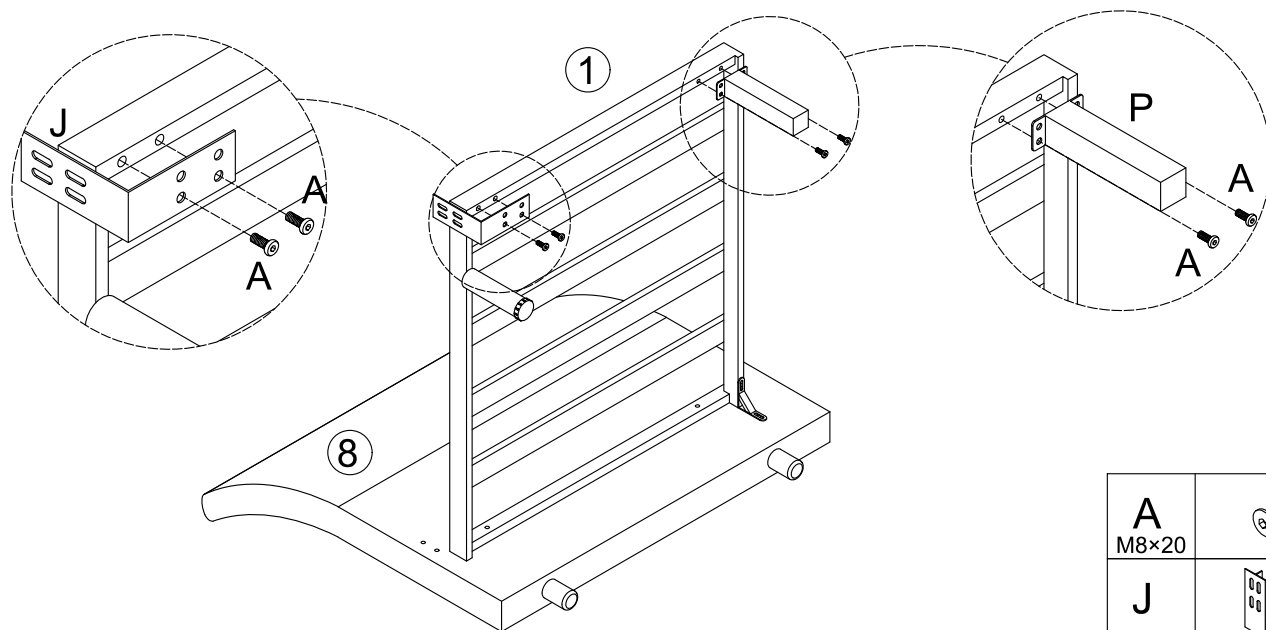
Step 3


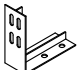



Step 4

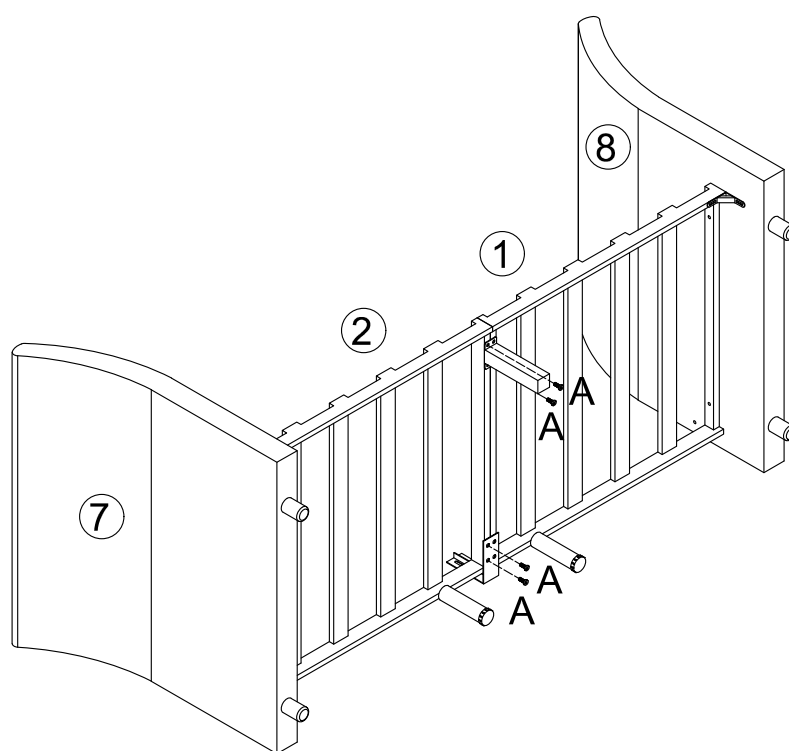



Step 5



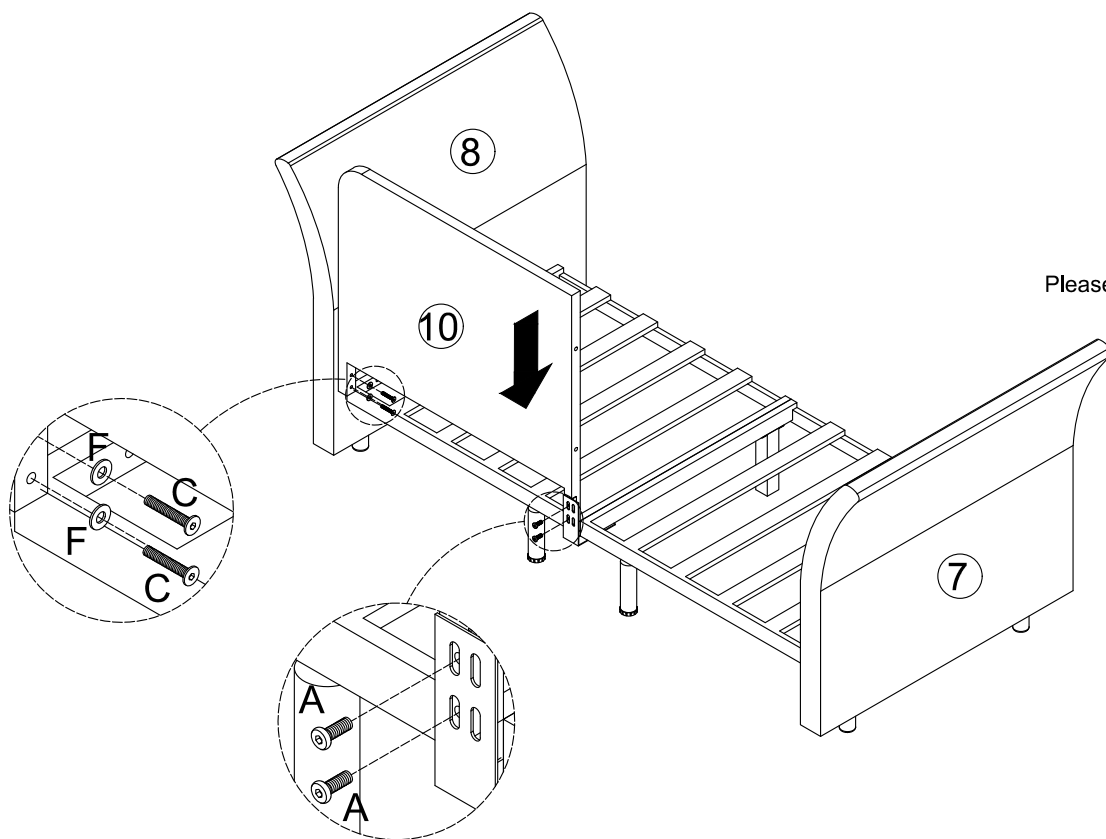
A M8×20		×4
J		×1
P		×1

Step 6


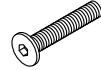



A M8×20		×4
------------	---	----

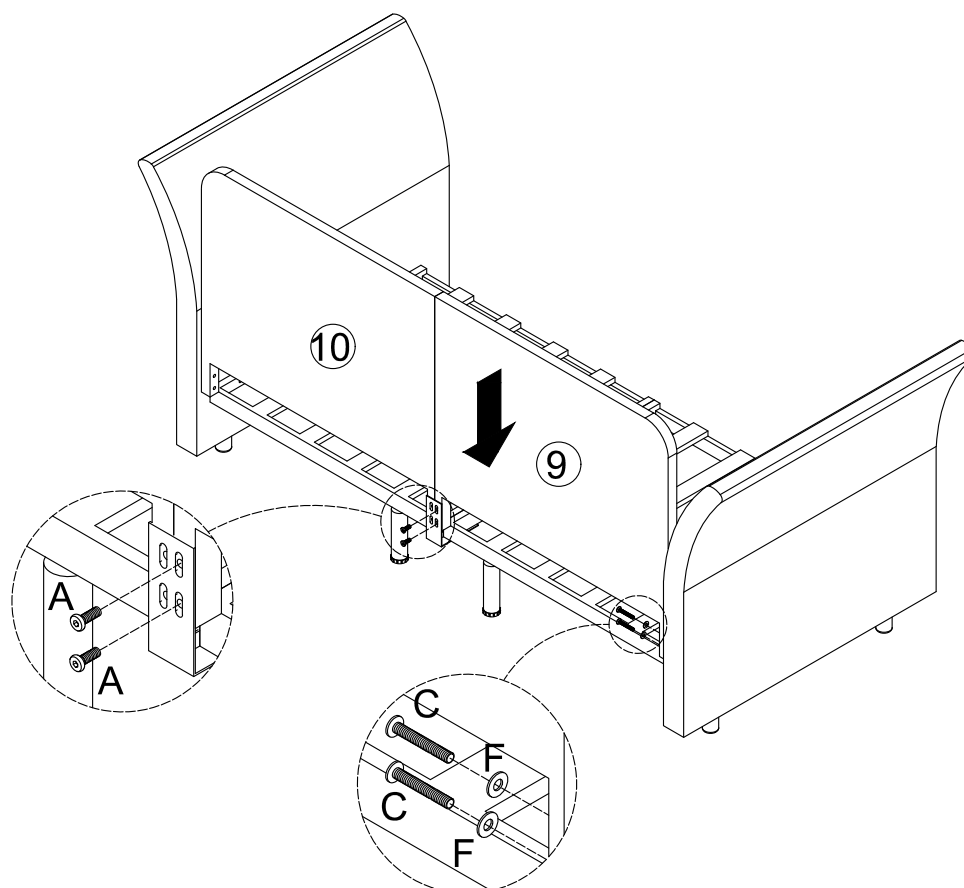
Step 7




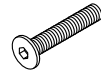

Please tighten the screws to 70% first.

A M8×20		×2
C M8×50		×2
F		×2

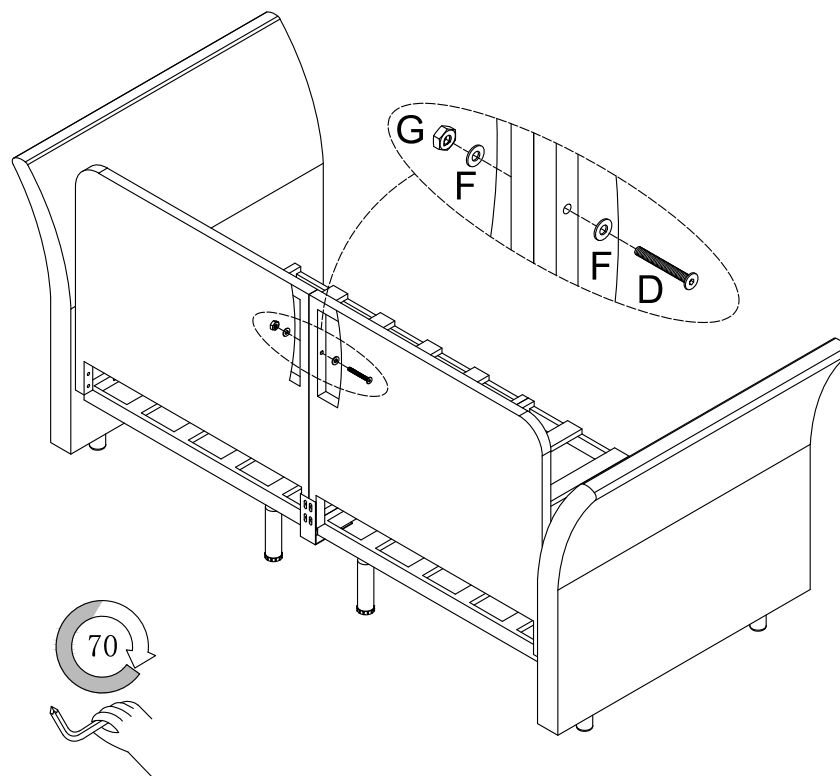
Step 8



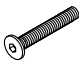


Please tighten the screws to 70% first.

A M8×20		×2
C M8×50		×2
F		×2

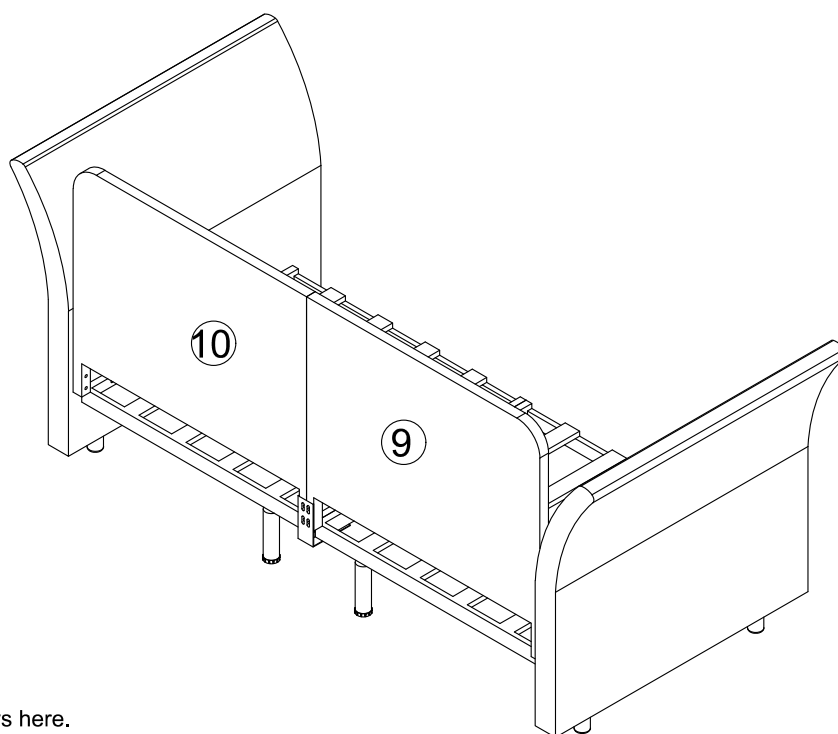
Step 9



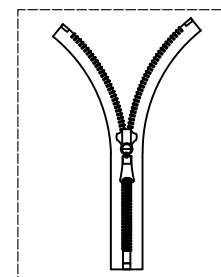
Please tighten the screws to 70% first.

D M8×80		x1
F		x2
G		x1

Step 10

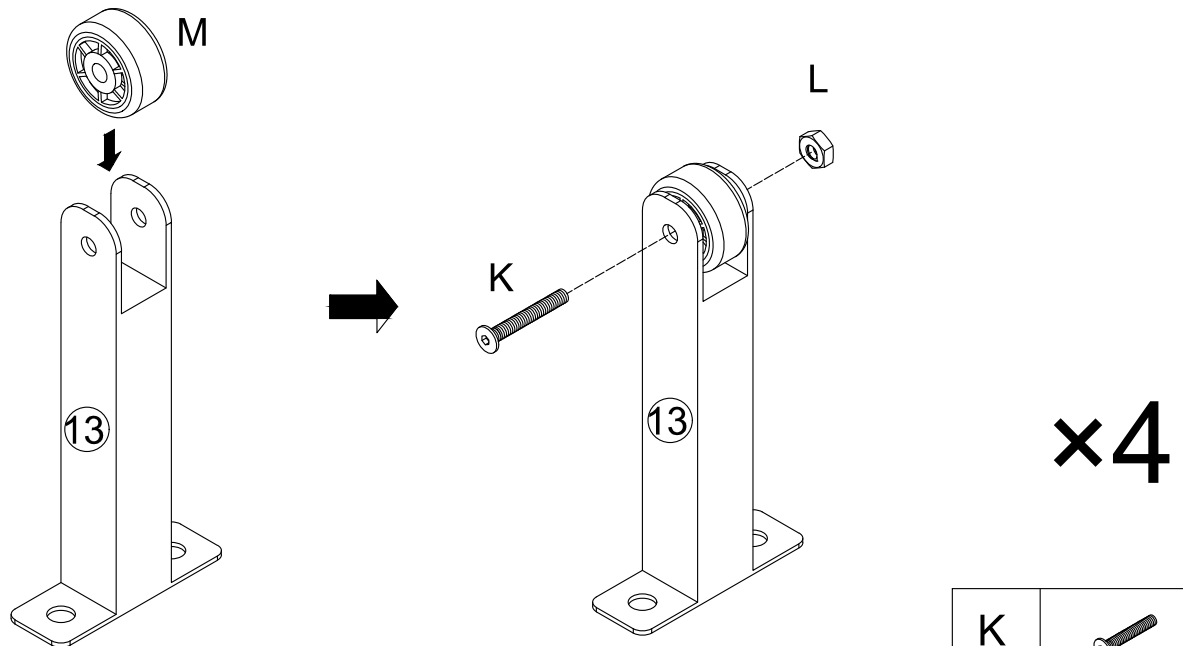





Tighten the screws here.



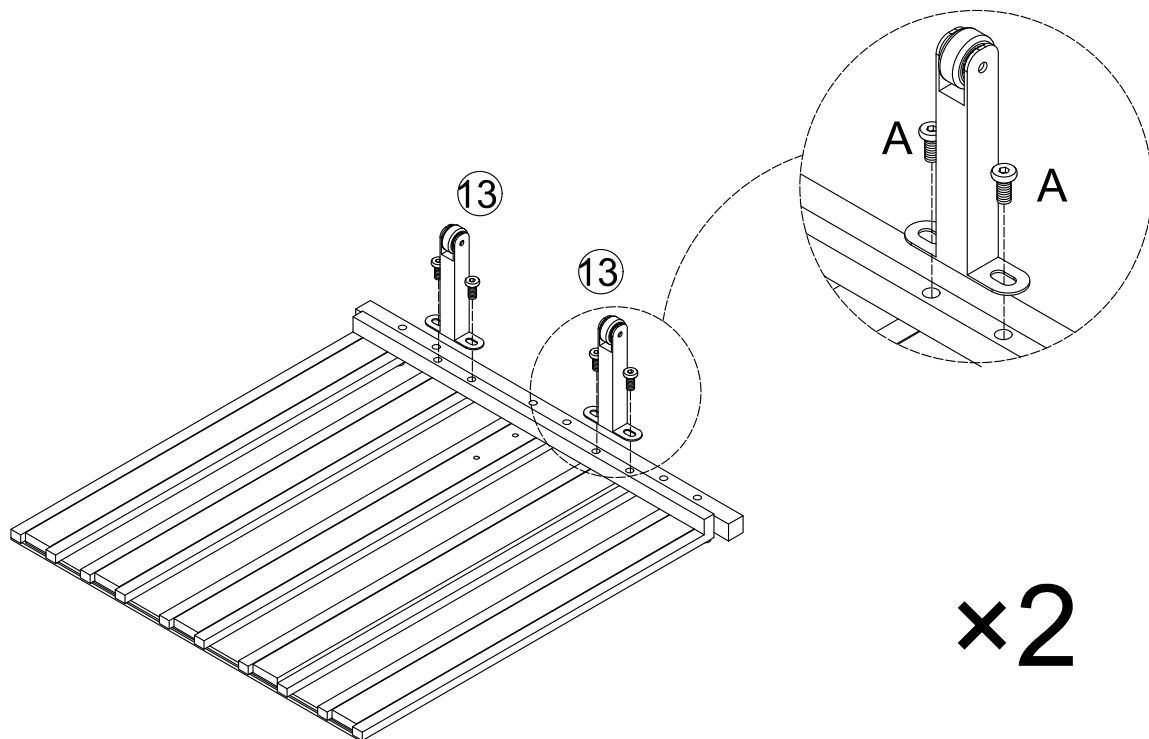
Note: Adjust the flatness of No. 9 and No. 10 properly, then tighten the screws and finally attach the shielding curtain.


Step 11



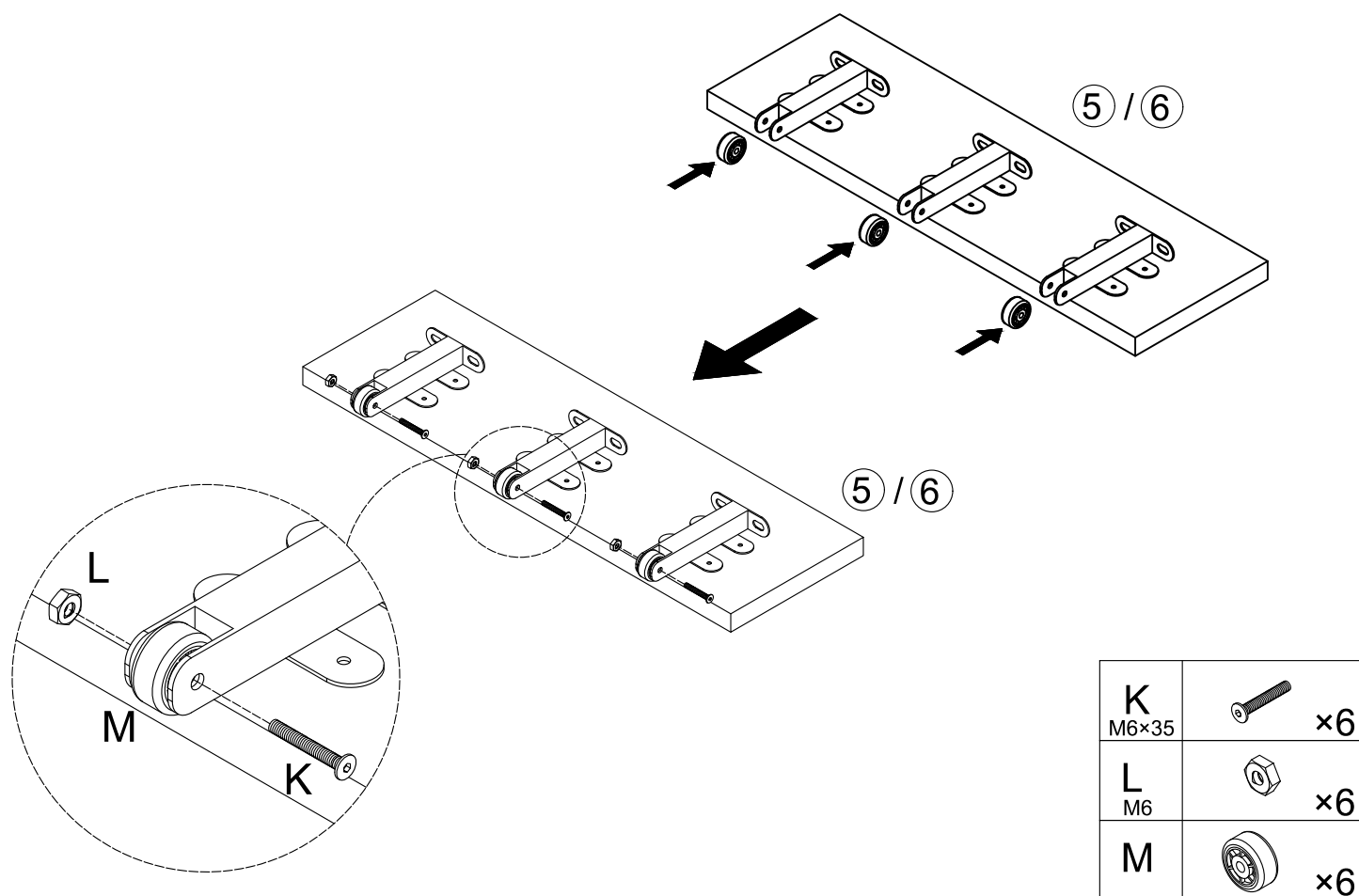
K M6×35	 x4
L M6	 x4
M	 x4

Step 12

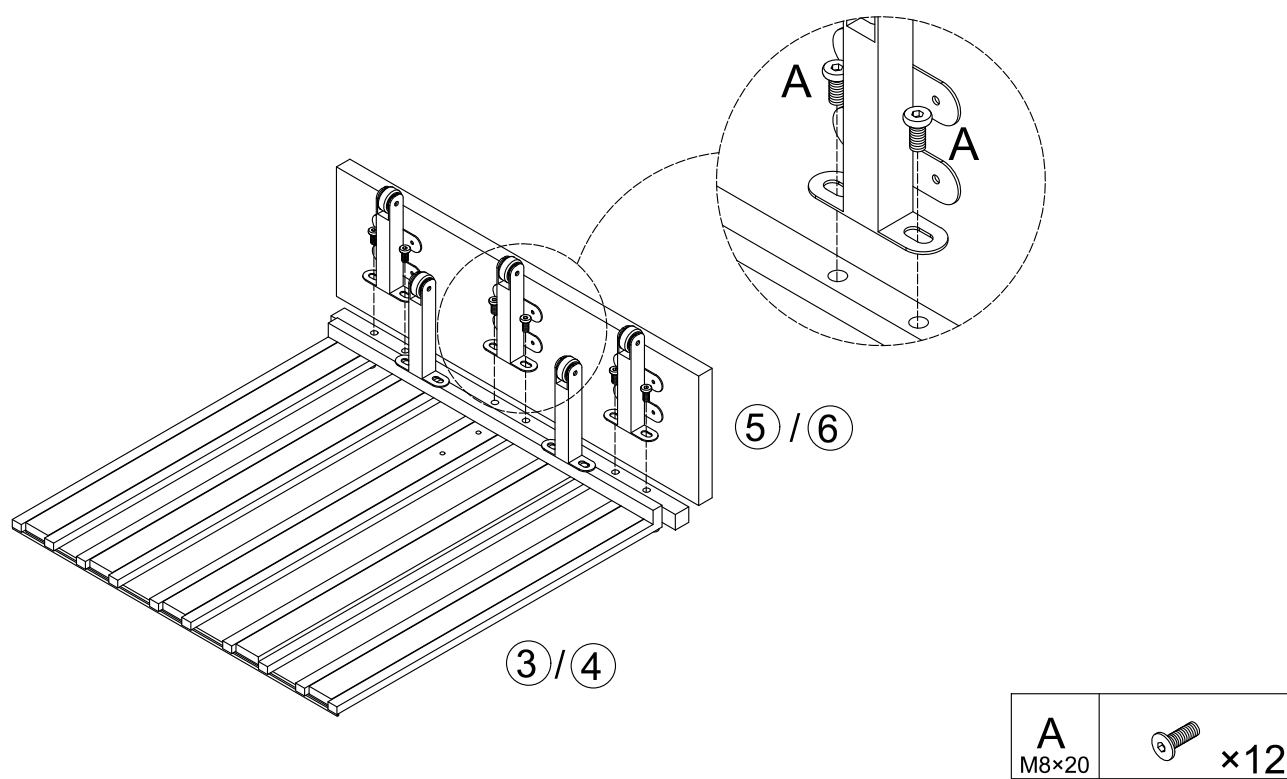


A M8×20	 x8
------------	--

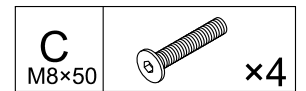
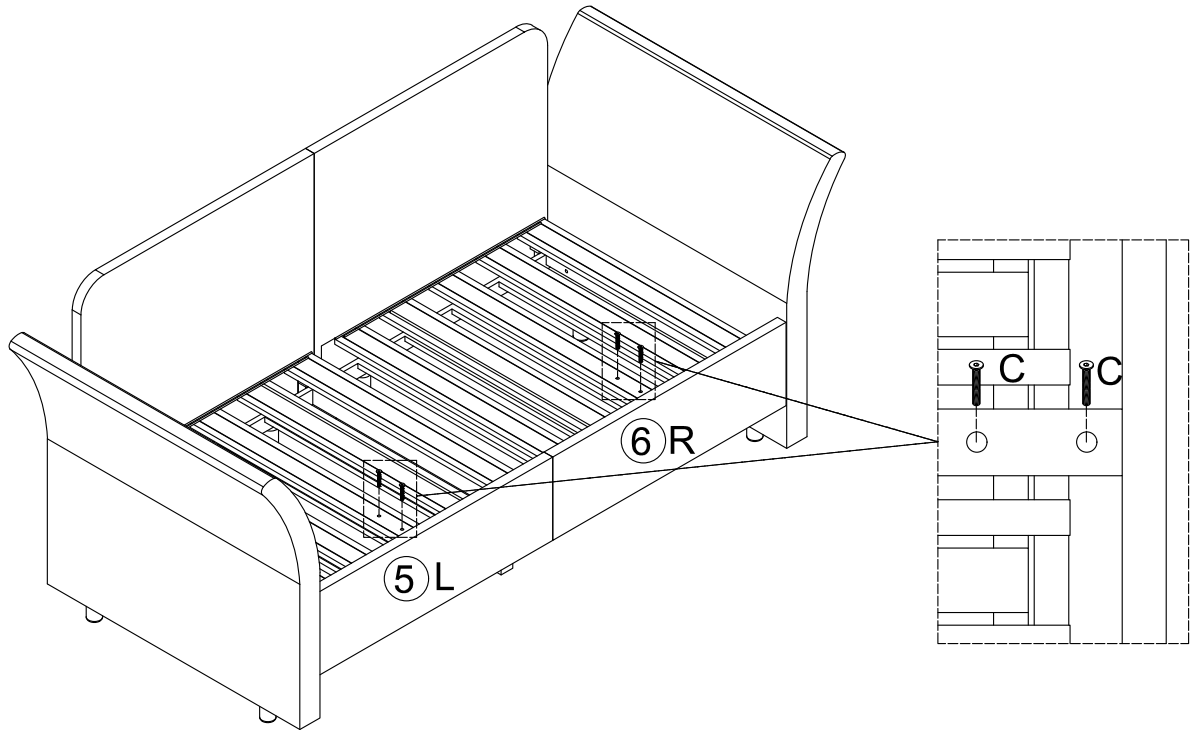
Step 13



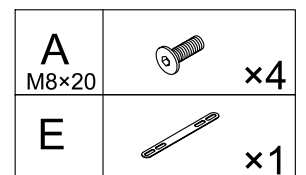
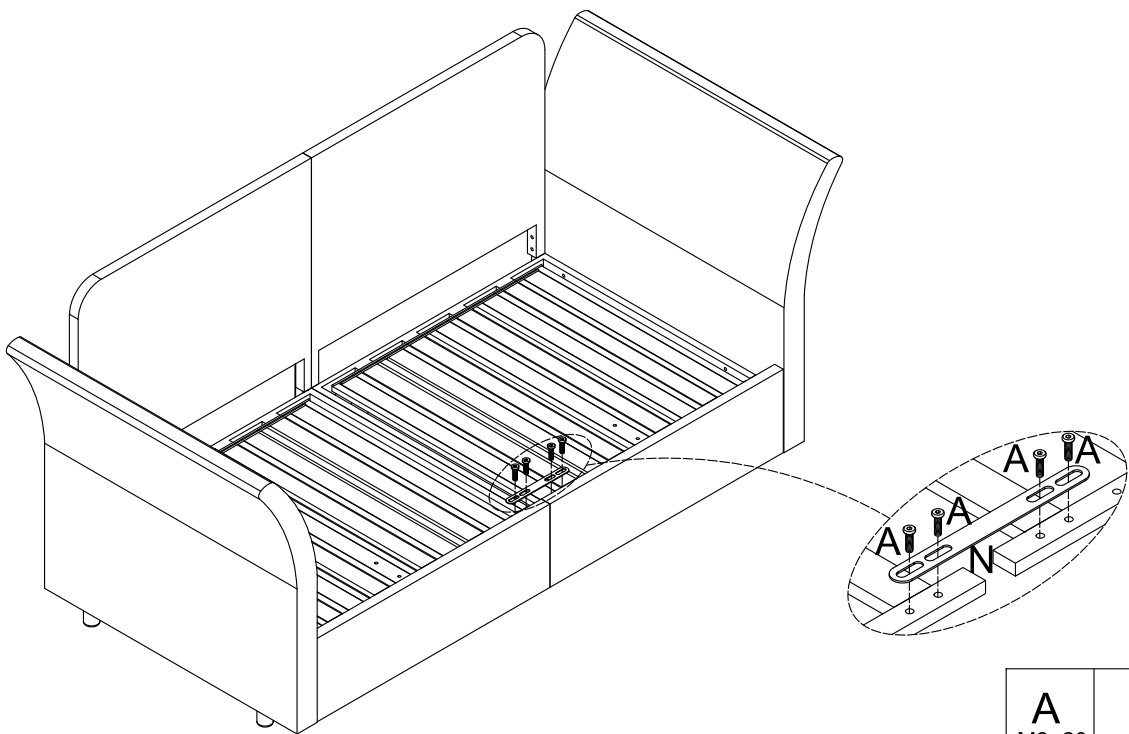
Step 14



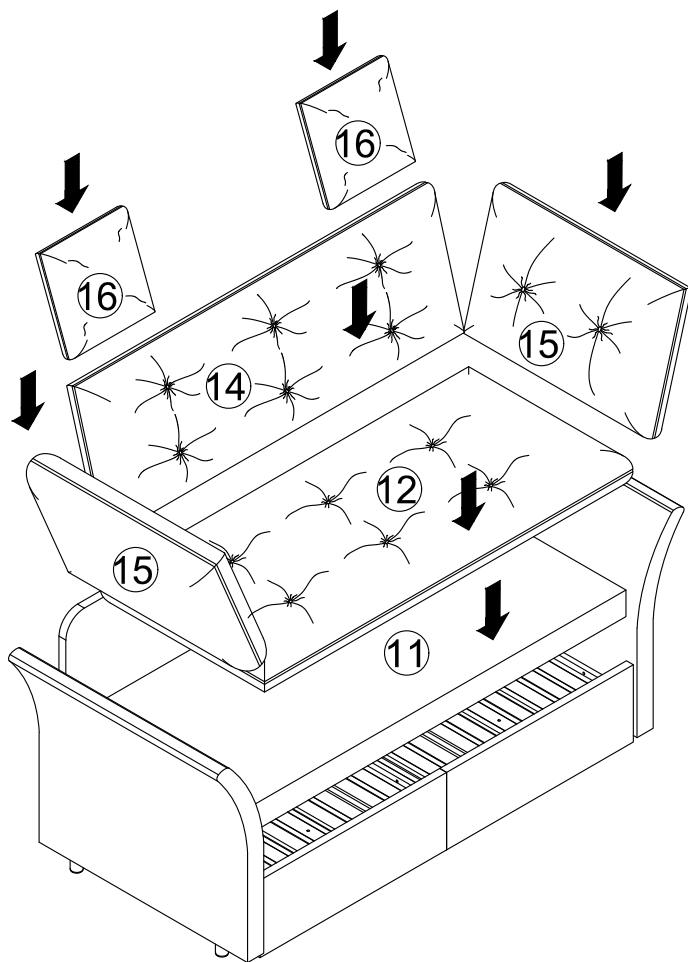
Step 15



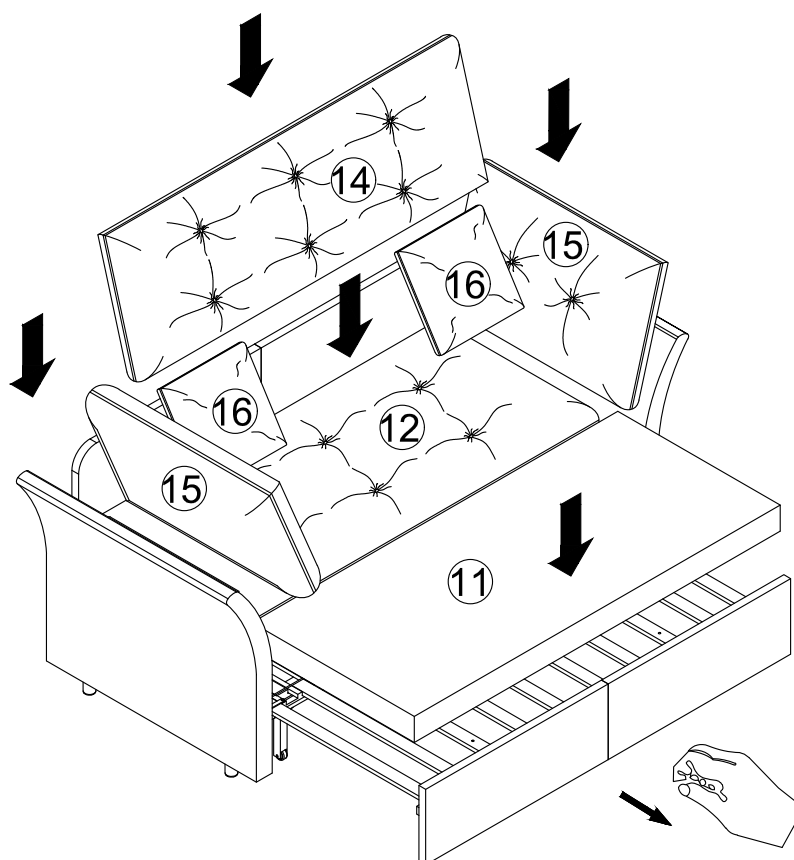
Step 16



Step 17



Step 18



Step 19

