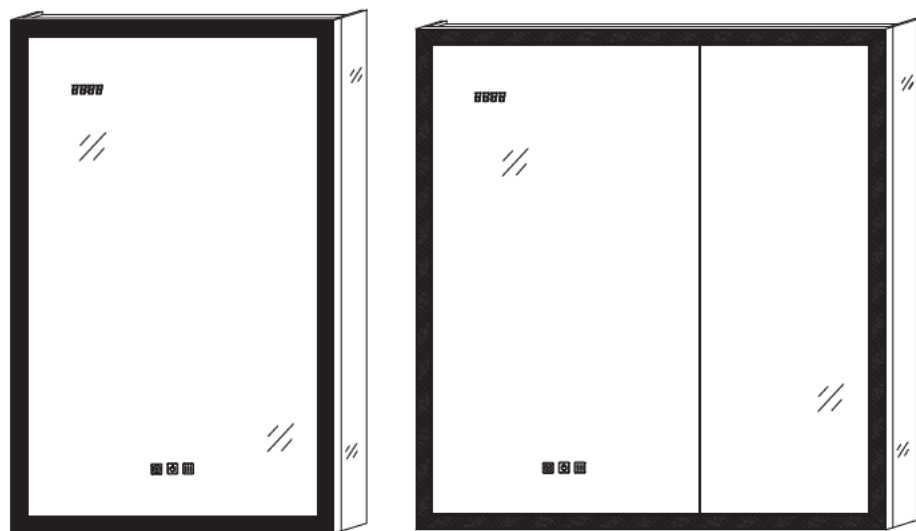


# BATHROOM LED MEDICINE CABINET



## Installation Instruction

Please read this instruction carefully before the installation and keep it for the future use and the warranty.




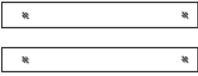






## BRAND SUPPORT

Thanks for choosing us!

Your suggestions are important for us, we will appreciate if you let us know your ideas and we will improve our products to satisfy our customers.

For any problems, such as product damage/missing accessories/mounting questions etc., please do not hesitate to contact us.

## PACKING LIST


 Mirror cabinet x 1	 Upper Bracket x 1	 Tempered glass shelf x 3	 Side mirror x 2		
 Lower Bracket x 1	 Shelf Clip x 8	 $\Phi 6*40$ <b>A</b> x(4+2)	 $\Phi 4*40$ <b>B</b> x(4+2)	 $\Phi 4*12$ <b>C</b> x 2	 $\Phi 4*4$ <b>D</b> x(4+2)


\*The quantity of A/B screws varies according to the size of the product.

\*We offer additional 2 screws to prevent screw missing in case.

## USE TIPS

1. Please use in safe voltage range. (100V-120V)
2. Do not strike the mirror with hard or pointed items.

 **DANGER:** Before installation, make sure the main power has already cut off.

 **WARNING:** The installation must be performed by a qualified licensed electrician.

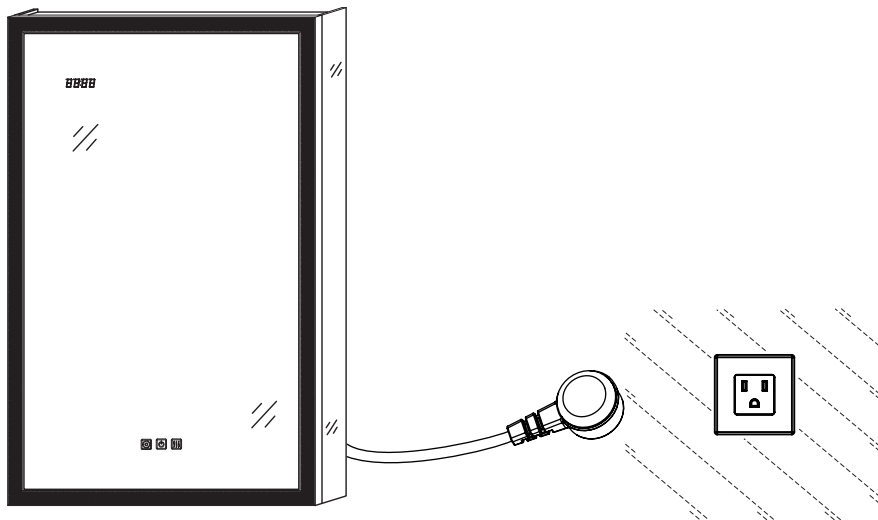
# BEFORE INSTALLATION

## 1. Important Safety Instructions:

- Please read all instructions carefully before assembling the item.
- Assembly by two or more adults is highly recommended.
- To connect the wires to electrical junction box, a qualified technician or electrician is highly recommended.
- Before installation, component addition or replacement, please make sure the main power has already cut off.
- Ensure the assembly location(solid stone / brick walls) can bear the weight of the complete fitting.
- To prevent injury, the mirror must be installed according to this instruction.

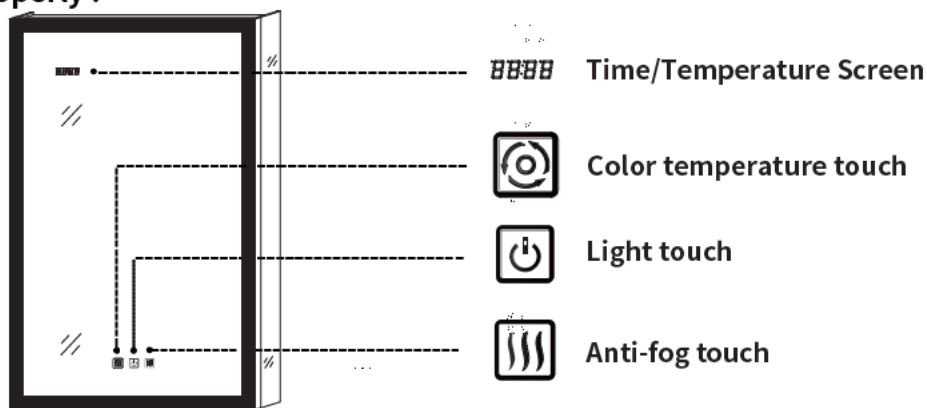
## 2. Pre-assembly:

- After opening the package, please inspect the accessories according to the packing list in order to ensure the received accessories are complete.
- Ensure the assembled voltage is between 100V and 120V. If the voltage exceeds 120V, please use a transformer.
- You can connect the wires directly to your junction box or a plug.
- Before assemble the medicine cabinet on wall, please try to plug and power the product at first, to make sure that the lighting effects and the functions mentioned in section 3 work. If so, you can start to install.



## BUTTONS FUNCTION EXPLANATION

3. Before installation, please check to make sure the mirror is working properly :



① **Left button: Color temperature adjustment.** 

Press and hold the touch to make the color temperature stepless adjustment(6000K to 3000K).

Memory function: The color temperature will keep the last choice.

② **Middle button: Light Brightness adjustment.** 

Press and hold the button to make the brightness stepless adjustment(100% to 20%).

Memory function: The light brightness will keep the last choice.

③ **Right button: Anti-fog function.** 

Note: The anti-fog film will automatically turned off one hour.  
Remember to turn off the switch to prevent the energy waste when you don't use it.

④ **Left/Right button: Time function.**  - /  +

In standby state, long press the color temperature button for 5S to wake up the clock adjustment function. At this time, the hour can be adjusted. After 5 seconds, the minutes can be adjusted.

The color temperature key is -, and the light Brightness key is +.

⑤ **Induction Led Strip.**

The top light bar will automatically on and off as the door open and close.

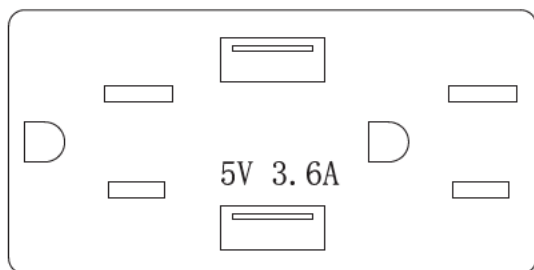


**Note:** The color temperature key and the light Brightness key can turn the light on or off.

## PRODUCT SPECIFICATION

Dimension	Size	Watts	Lumens
20" x 32"	20 x 32 x 5 IN	30W	2400LM
24" x 32"	24 x 32 x 5 IN	30W	2640LM
30" x 32"	30 x 32 x 5 IN	36W	3000LM
36" x 30"	36 x 30 x 5 IN	36W	4100LM

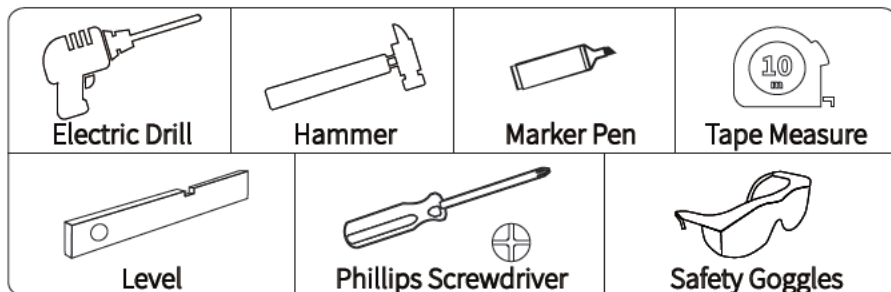
PARAMETER	SPECIFICATION
Color Temperature	6000K-3000K
Input Voltage	AC100-120V
Output Voltage	12V DC
CRI	≥ 90 Ra
Working Temperature	14~113 °F
Life Span	25000 hours
Anti-fog	Yes
Nema Rate	3
Wiring Method	Hardwired / Plug In
Switch	Touch Sensor Switch



**Note:** Sockets and USB output voltage is 5V, current is 3.6A, power is 18W, not suitable for high power appliances.

# INSTALLATION

## Advised Installation Tools (Not offering)

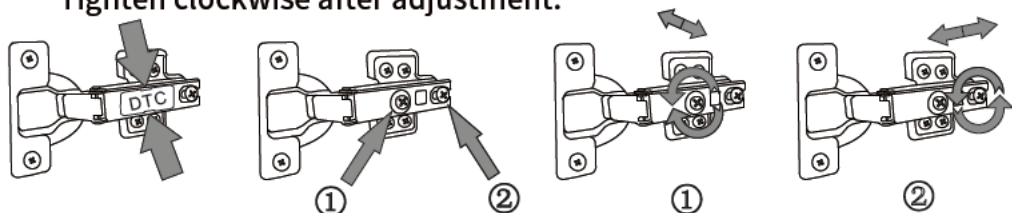


## HYDRAULIC HINGE ADJUSTMENT METHOD

Open the "DTC" cover in the direction of the arrow.

- ①: Adjust the door counterclockwise to move to the right,  
Turn clockwise to adjust the door to move to the left.
- ②: Twist counterclockwise to loosen it, You can adjust the front and rear direction of the door.

Tighten clockwise after adjustment.



## METHOD 1: FOR HANGING WALLS

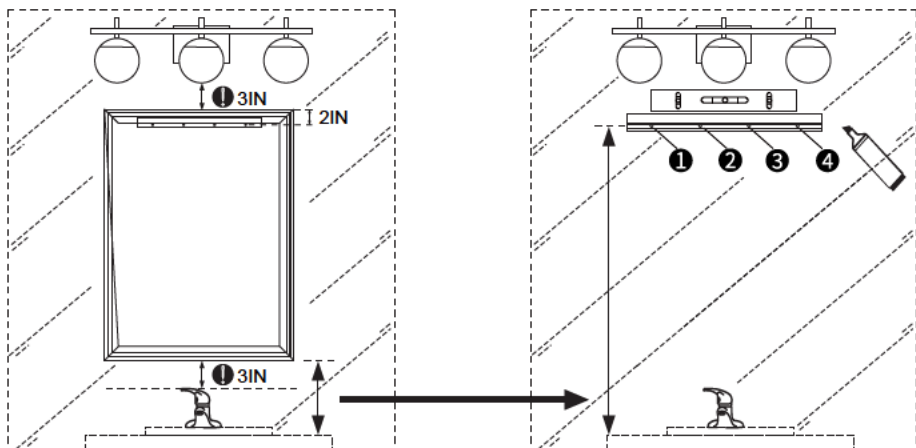
(Please refer to step 1 to step 5、9、10.)

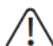
## METHOD 2: FOR RECESSED

(Please refer to step 6 to step 10.)

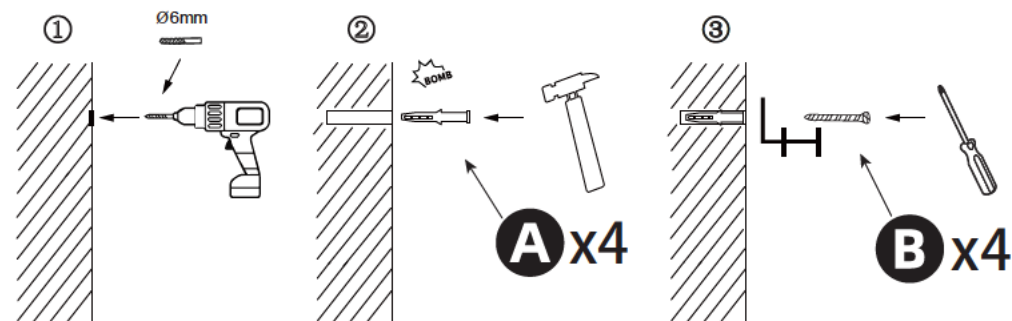
## METHOD 1: FOR HANGING WALLS

1. Before installation, place the medicine cabinet against the wall, keep an appropriate safety distance from faucets and lights, at least 3 inches, confirm the installation height and bracket installation position, use a level to level the bracket, and mark the hole position on the wall.



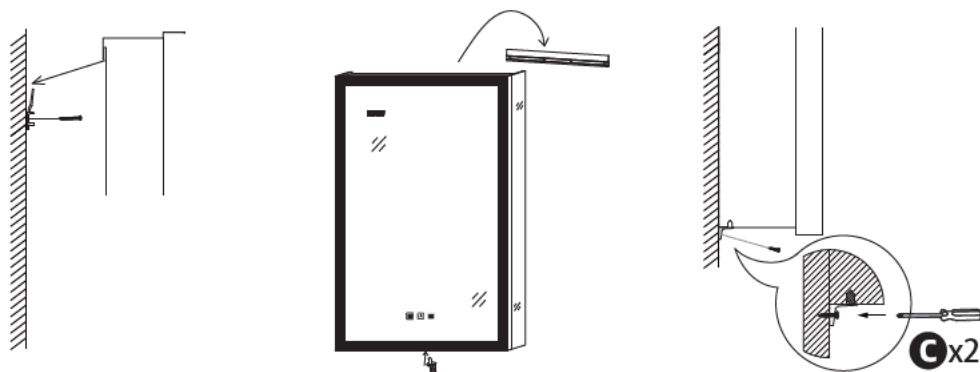
 **Note:** Two-person installation.

2. Use a 1/4" (6mm) drill to drill holes at the marked points to a depth of 1 3/4" (45mm), then apply the wall anchors with a hammer. Mount the lower bracket to the wall with screws.



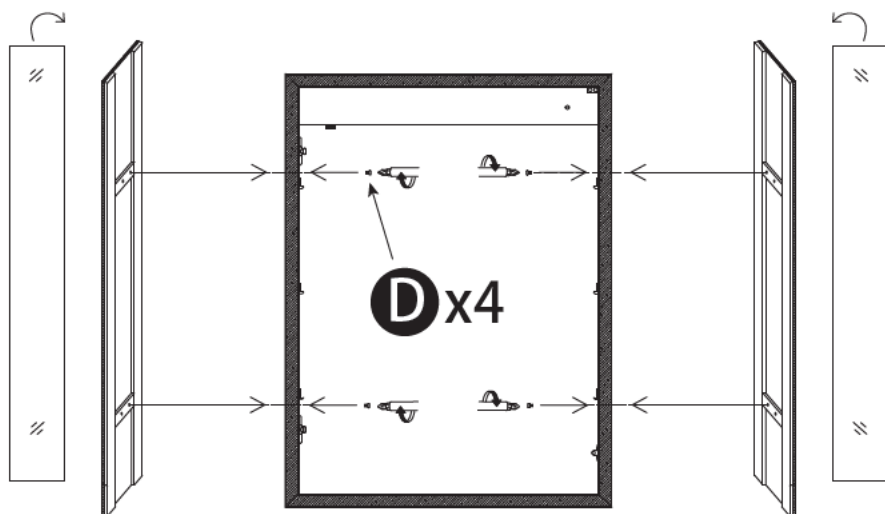
 **Note:** Please wear goggles and pay attention to safety.

3. Lift the medicine cabinet and place it securely in the upper bracket. Holding the cabinet in an upright position, secure the lower bracket in the grooves on the bottom of the cabinet.



**!** **Note:** Gently shake the mirror to ensure that the mirror is securely installed.

4. Install side mirrors.

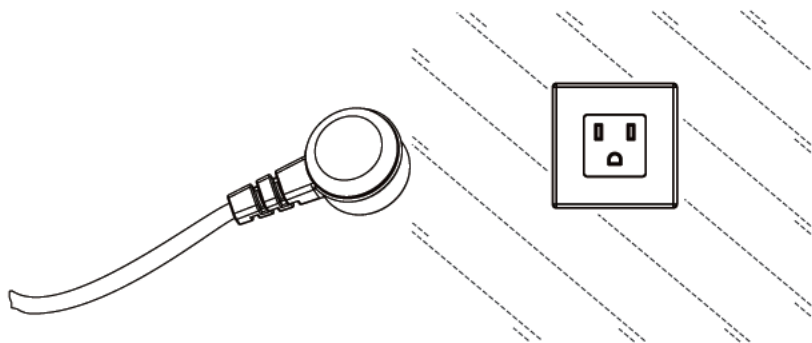


**!** **Note:** No need to install side mirror if recessed.

5. Plug the medicine cabinet. You can use the plug directly or connect the wire to a standard switch lighting circuit.

● Use the plug

After hanging the mirror, plug it directly.



● Hardwire Installation

Cut the plug and connect the mirror's wire to the power by the wire connectors.

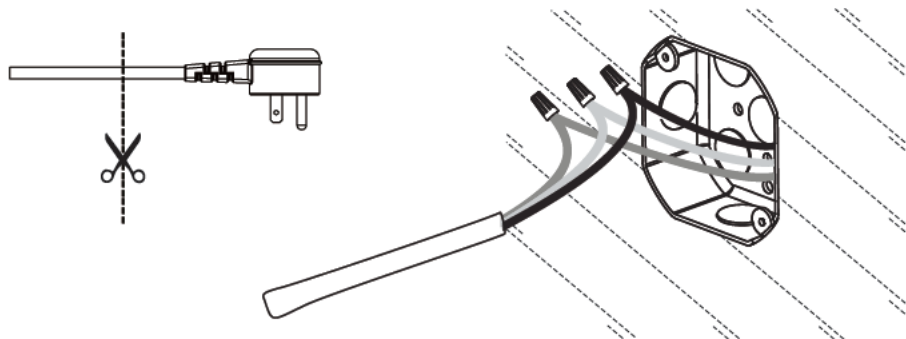
 **DANGER:** Before installation, make sure the main power is cut off.

BLACK WIRE --- POWER SUPPLY L (LIVE)

WHITE WIRE --- POWER SUPPLY N (NEUTRAL)

GREEN WIRE --- POWER SUPPLY E (EARTH)

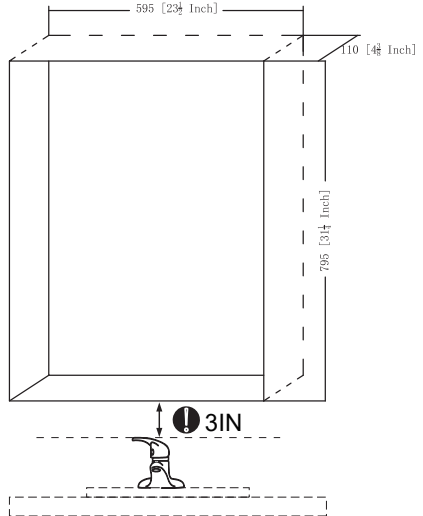
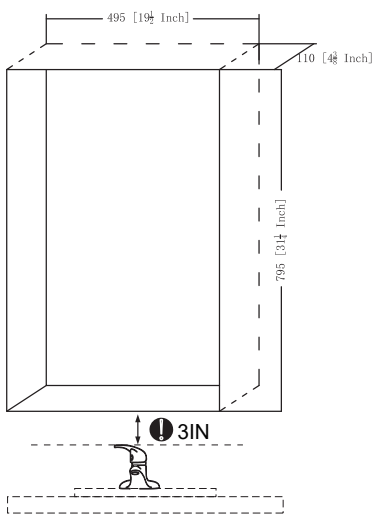
**WARNING:** This mirror must be earthed.



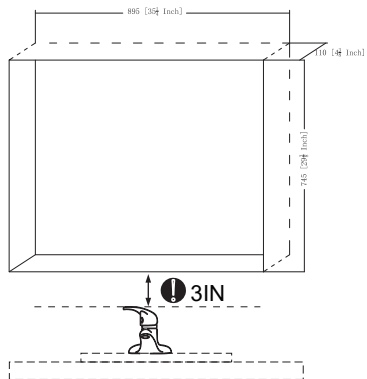
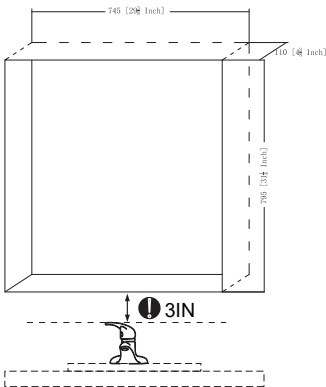
# METHOD 2: FOR RECESSED

6. The wall space is set aside in advance based on the size of the recessed led medicine cabinet.

## Single door



## Double door



## 7. Plug the recessed led medicine cabinet.

### ● Hardwire Installation

Cut the plug and connect the mirror's wire to the power by the wire connectors.



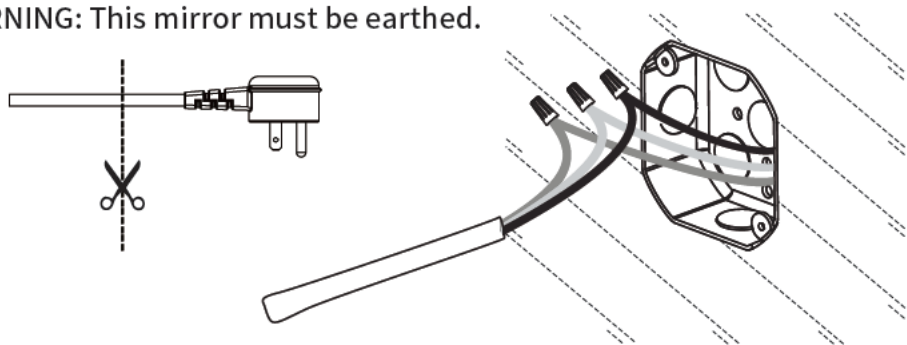
**DANGER:** Before installation, make sure the main power is cut off.

BLACK WIRE --- POWER SUPPLY L (LIVE)

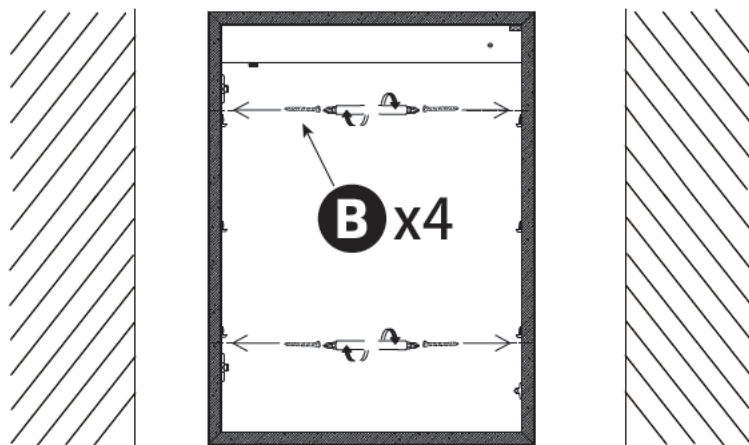
WHITE WIRE --- POWER SUPPLY N (NEUTRAL)


GREEN WIRE --- POWER SUPPLY E (EARTH)

**WARNING:** This mirror must be earthed.

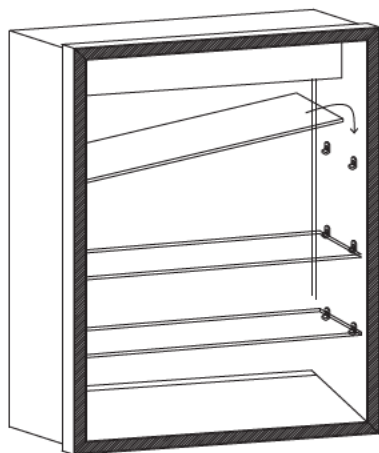


## 8. Install the recessed led medicine cabinet.



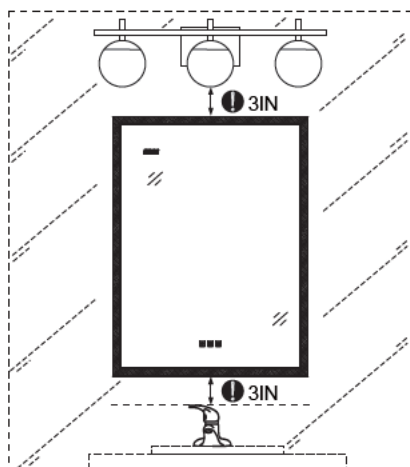
 **Note:** Gently shake the mirror to ensure that the mirror is securely installed.

## 9. Insert the glass shelves.



**Note:** The glass shelves varies according to the height of the product.

## 10. The installation has completed!



**Congratulations!**