

Assembly Guide

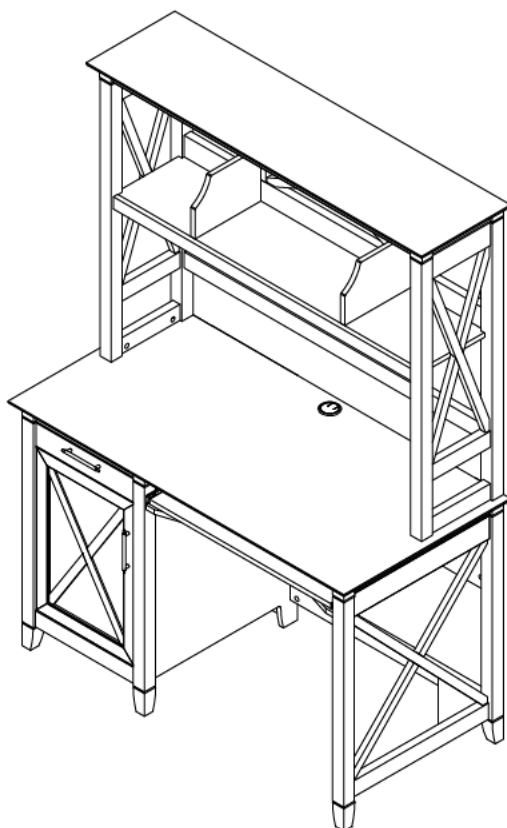


If you're having any difficulty during assembly of this product, don't hesitate to call us

Our customer service experts are trained to provide step-by-step instruction and can easily replace any missing or damaged parts.

**Representatives are available Monday-Friday
from 8:30 a.m. to 7:30 p.m. (ET)**

48W Desk with Hutch



Lot Code #

Keep manual for future reference.

Get Ready to Assemble

For best results, keep these tips in mind:

- ① We know you want to finish this assembly as quickly as possible, but trust us: you'll have a better experience if you take it one step at a time.
- ② Give yourself some room to work near where you want the fully assembled product.
- ③ If your floor isn't carpeted, assemble this product on the empty carton to avoid scratching.
- ④ Do you have a friend who owes you a favor? Some steps may go a little easier with a second set of hands.

DOs

- ✔ Use a #2 Phillips head screwdriver (or other handheld tools as indicated)
- ✔ Wear safety glasses at all times during assembly
- ✔ Carefully follow the instructions in this guide and complete all steps in order
- ✔ Give us a call if you're having trouble with a particularly tricky step

DON'Ts

- ✘ We know power tools are quick and easy, but you shouldn't use them when assembling this product (unless otherwise specified)
- ✘ Never move your furniture with items inside or resting on the surface
- ✘ Do not attempt to use this product before all steps have been completed

Watch assembly videos right on your phone or computer!

Some steps include QR codes that link to helpful videos. Watch out for the icon on the left! Simply open up your smartphone camera to scan the code.

(Users of older smartphones may need to install a QR Reader.)



IMPORTANT SAFETY INFORMATION



PLEASE READ WARNINGS

Improper use can cause safety hazards, or damage to your furniture and household items.

Warning	Do	Don't	Why it's important
Serious injury may occur.	<ul style="list-style-type: none">Assemble following all instructions using all indicated parts and hardware provided.Install tip-over restraint provided.Install every indicated nail and/or screw.Verify furniture is stable on it's own.Place heaviest items in the lower drawers or shelves.Remove items that might tempt kids to climb, such as toys and remote controls from the top and upper shelves of furniture.	<ul style="list-style-type: none">Do not move unit when loaded.Do not load with a television or other heavy equipment.Do not exceed the maximum load limits stated in the instructions.Do not allow children to stand, climb, or hang on furniture.	Improper assembly, use or loading can lead to product instability, tip-over or collapse.

Advertencia	Hacer	No	Por qué es importante
Se pueden producir lesiones graves.	<ul style="list-style-type: none">Ensamble siguiendo todas las instrucciones utilizando todas las piezas y ferretería indicados provistos.Instale la retracción de vuelco provista.Instale todos los clavos y / o tornillos indicados.Verifique que los muebles sean estables por sí mismos.Coloque los artículos más pesados en los cajones o estantes inferiores.Retire los artículos que puedan tentar a los niños a trepar, como juguetes y controles remotos de los estantes superiores y superiores de los muebles.	<ul style="list-style-type: none">No mueva la unidad cuando esté cargada.No cargue con un televisor u otro equipo pesado.No exceda los límites máximos de carga establecidos en las instrucciones.No permita que los niños se paren, trepen o cuelguen de muebles.	El ensamblaje, uso o carga inadecuados pueden provocar inestabilidad del producto, vuelco o colapso.

IMPORTANT SAFETY INFORMATION

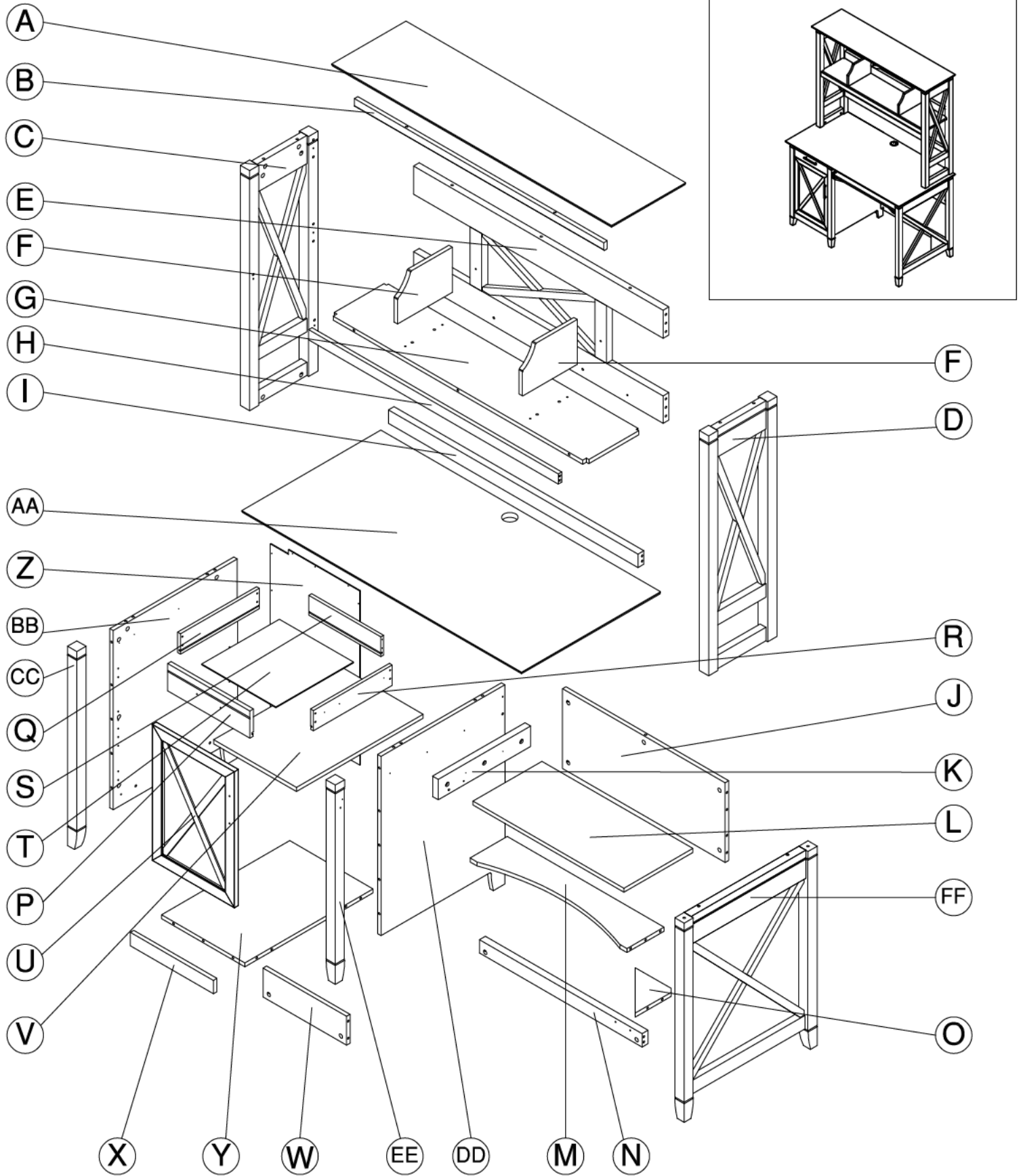


PLEASE READ WARNINGS

Improper use can cause safety hazards, or damage to your furniture and household items.

Avertissement	Faire	Ne le fais pas	Pourquoi c'est important
Des blessures graves peuvent survenir.	<ul style="list-style-type: none">• Assemblez en suivant toutes les instructions en utilisant toutes les pièces et le matériel indiqués fournis.• Installez la réintégration de basculement fournie• Installez tous les clous et / ou vis indiqués.• Vérifiez que les meubles sont stables par eux-mêmes.• Placez les articles les plus lourds dans les tiroirs ou les étagères inférieurs.• Retirez les objets qui pourraient inciter les enfants à grimper, comme les jouets et les télécommandes des étagères supérieure et supérieure des meubles.	<ul style="list-style-type: none">• Ne déplacez pas l'unité lorsqu'elle est chargée.• Ne chargez pas avec un téléviseur ou un autre équipement lourd.• Ne dépassez pas les limites de charge maximale indiquées dans les instructions.• Ne laissez pas les enfants se tenir debout, grimper ou s'accrocher aux meubles.	Un assemblage, une utilisation ou un chargement incorrects peuvent entraîner une instabilité du produit, un renversement ou un effondrement.

Get to know your Boards



Get to know your Fasteners

Fasteners are shown actual size.

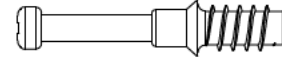
H181468



KD Cam

[53]

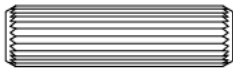
H180604



KD Bolt

[43]

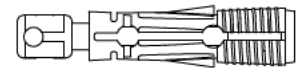
H38169



Wood Dowel
8 x 30mm

[45]

H166336



Quick Connect

[10]

H156825



#6 x 7/16"

[18]

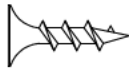
H34174



#3 x 3/4"

[16]

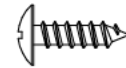
H153242



#8 x 5/8"

[4]

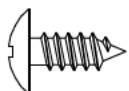
H101725



#6 x 1/2"

[16]

H35251



#10 x 1/2"

[2]

H182556



#8 x 7/8"

[4]

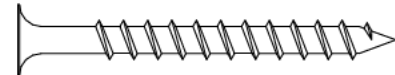
H26053



#10 x 1-1/4"

[11]

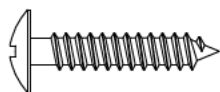
H23491



#10 x 2"

[5]

H23682



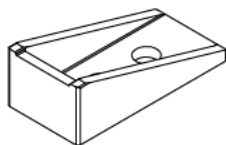
#10 x 1"

[8]

Get to know your Hardware

Hardware are shown actual size.

H149994



Rubber Stop

[1]

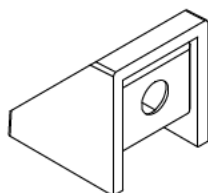
H149989



Ø10x2mm

[1]

H137197



Plastic Bracket

[3]

H100444



Drawer Bracket

[2]

H23604



Shelf Pin

[4]

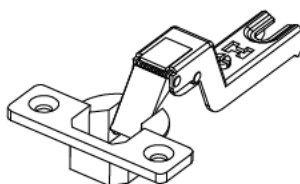
H126396



Shelf Pin Sleeve

[4]

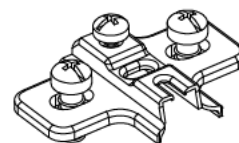
H170611



Hinge

[2]

H170612



Mounting Plate

[2]

H85966



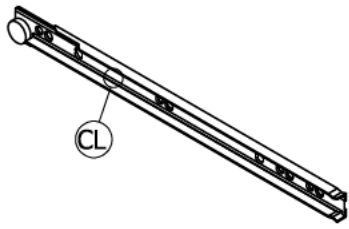
L Bracket

[2]

Get to know your Hardware

Hardware are shown actual size.

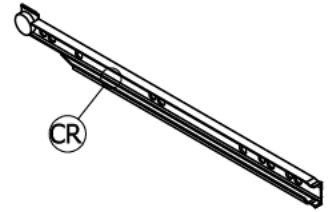
Z35219



[1]

14" Slide Mount(356mm)

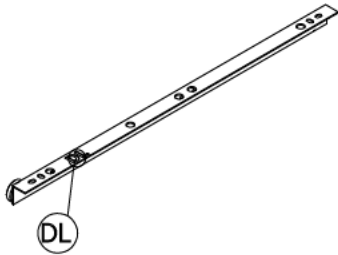
Z35218



[1]

14" Slide Mount(356mm)

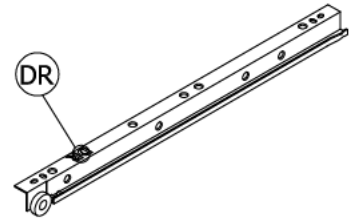
Z35217



[1]

14" Slide Runner(356mm)

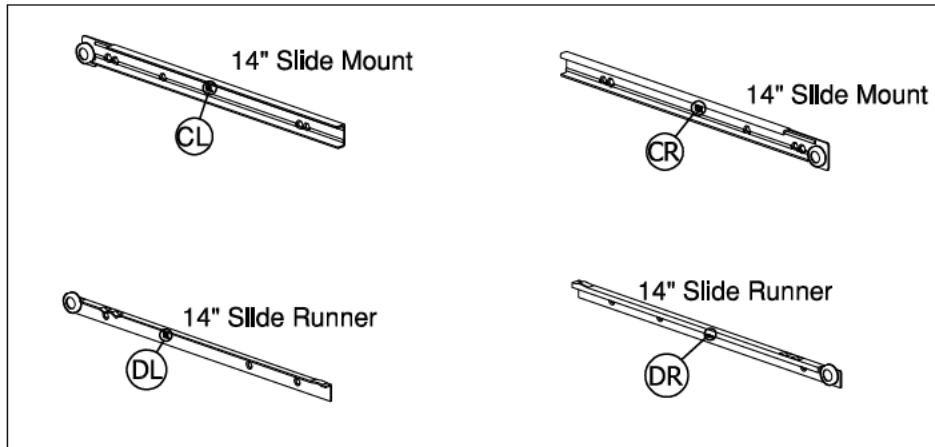
Z35216



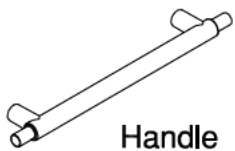
[1]

14" Slide Runner(356mm)

Q89892

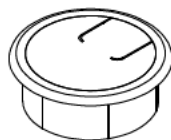


[1]



[2]

Handle



[1]

Grommet



[23]

Cover Cap

STEP 1

Prepare Panel

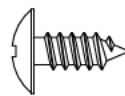
H100444



[2]

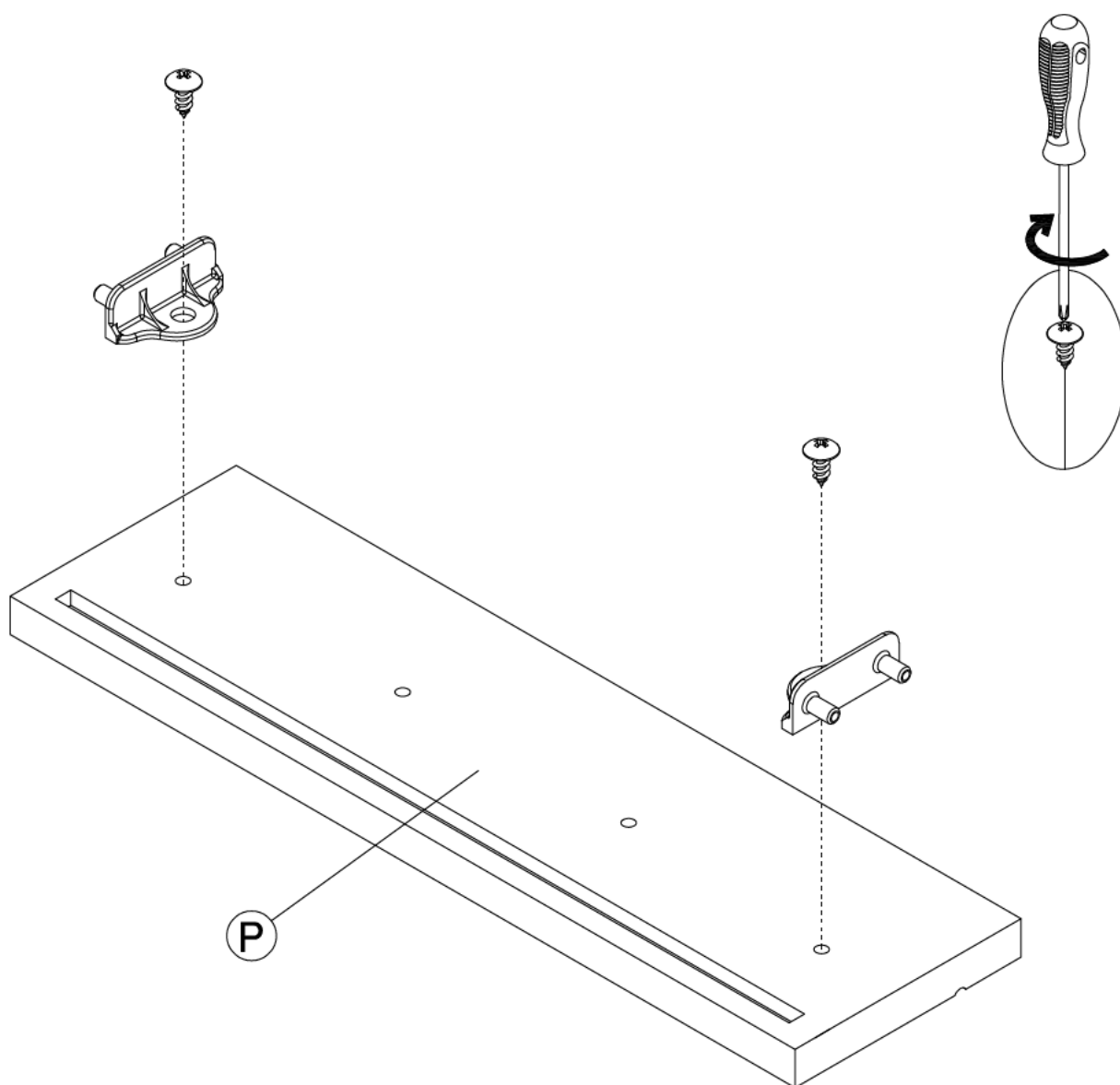
Drawer Bracket

H35251



[2]

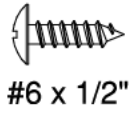
#10 x 1/2"



STEP 2

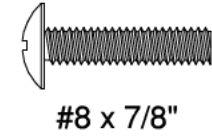
Assemble Panels

H101725

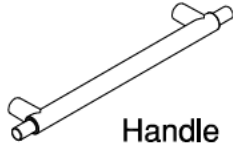


[4]

H182556

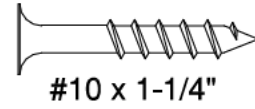


[2]

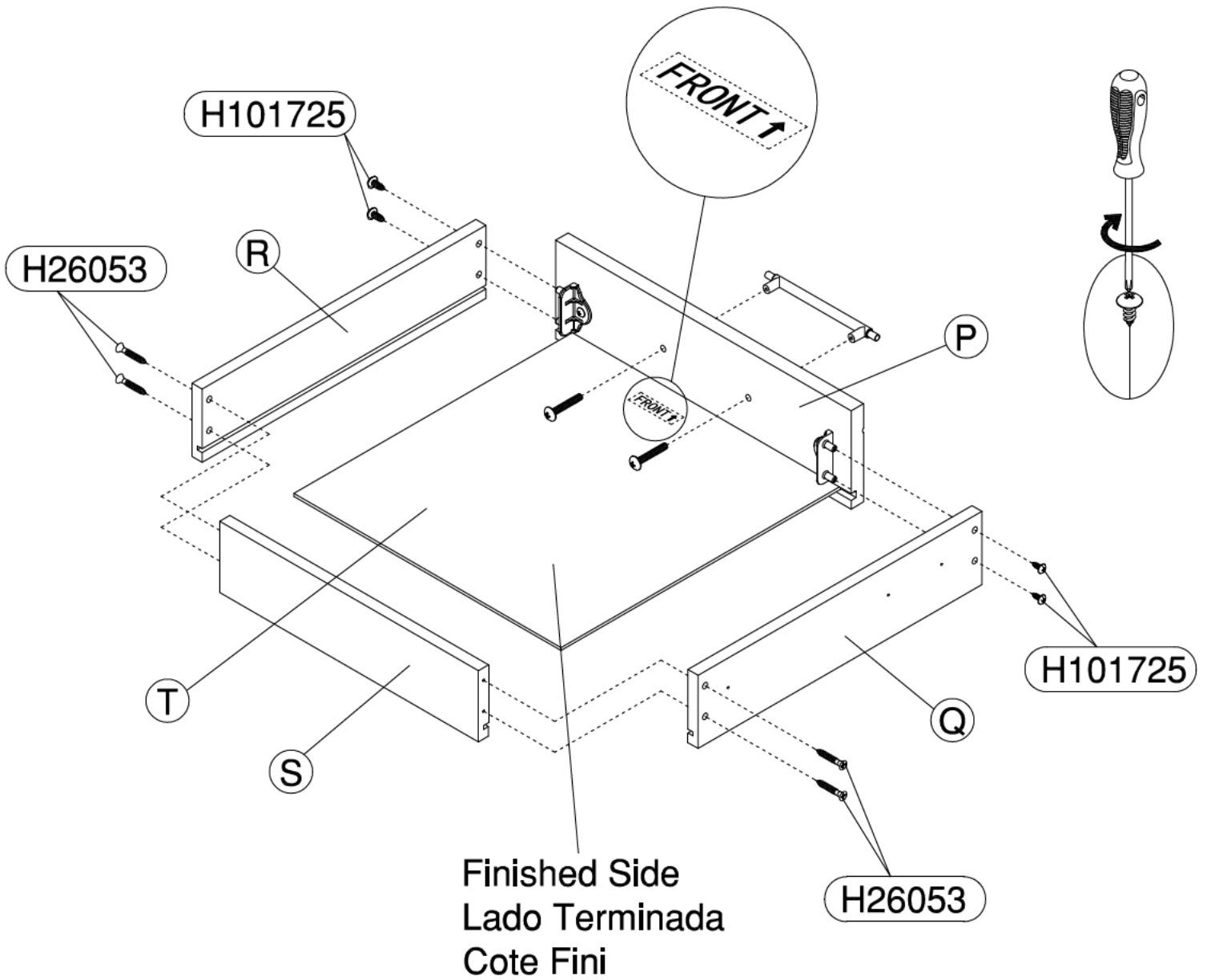


[1]

H26053



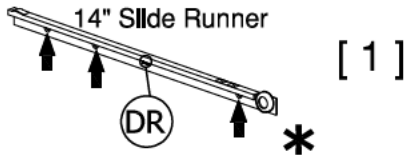
[4]



STEP 3

Install Slide Runners

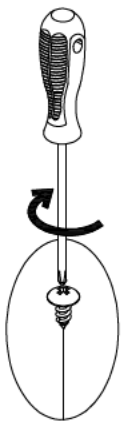
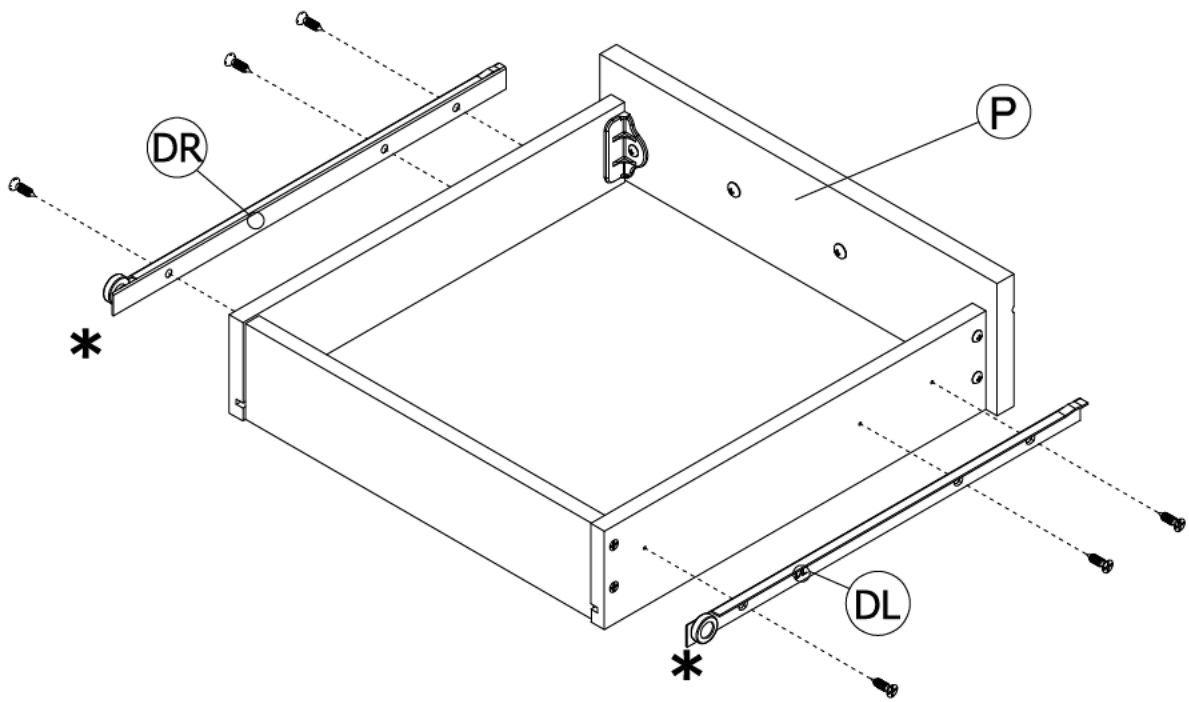
Q89892



Q89892 *



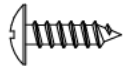
H156825



STEP 4

Install Slide Runners

H101725 [4]
#6 x 1/2"



#6 x 1/2"

Z35216 [1]

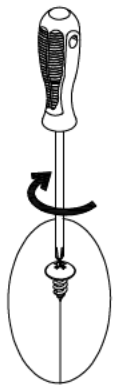


14" Slide Runner(356mm)

Z35217 [1]

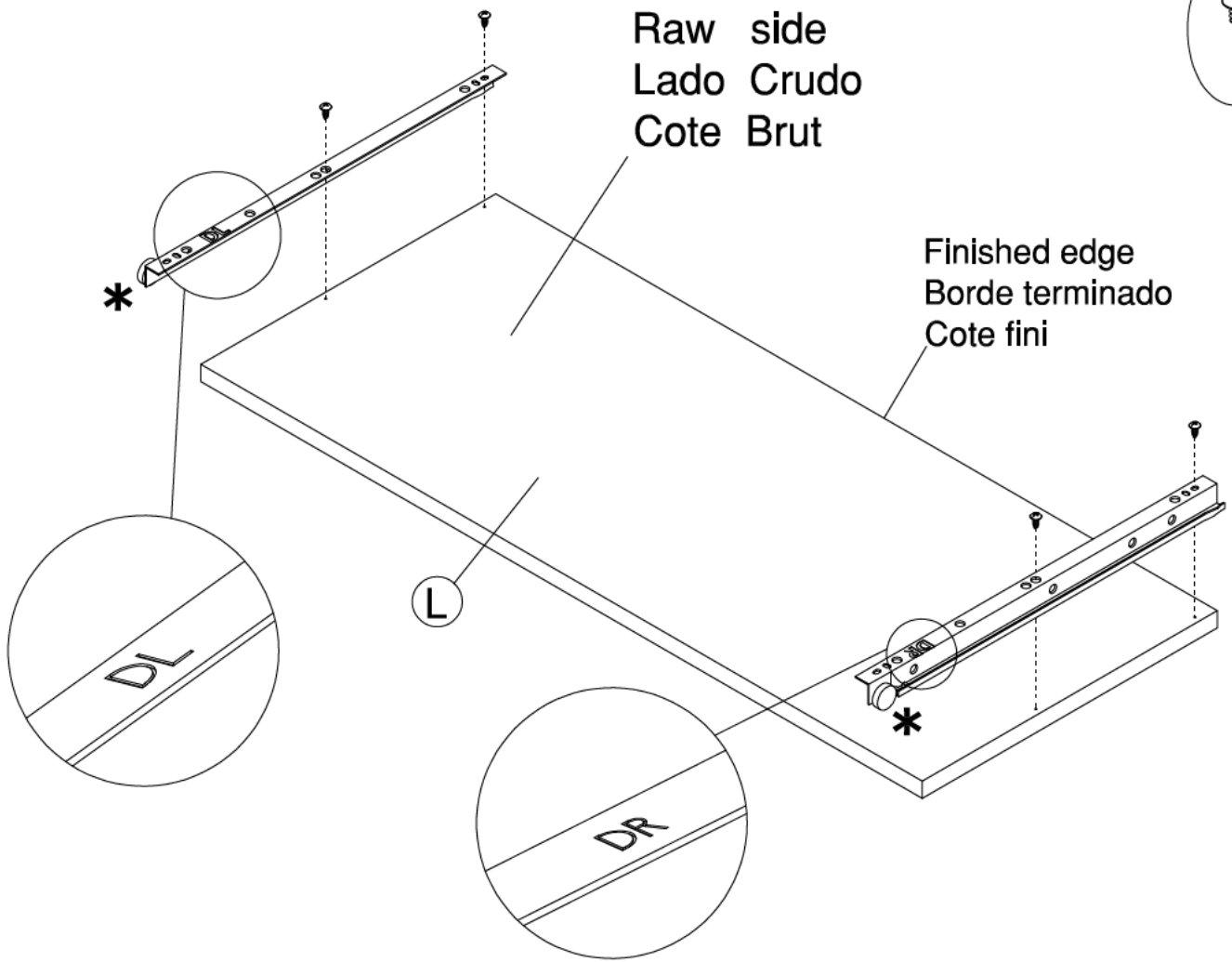


14" Slide Runner(356mm)



Raw side
Lado Crudo
Cote Brut

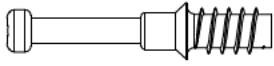
Finished edge
Borde terminado
Cote fini



STEP 5

Prepare Panels

H180604



[2]

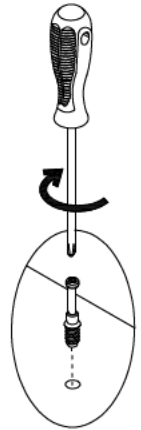
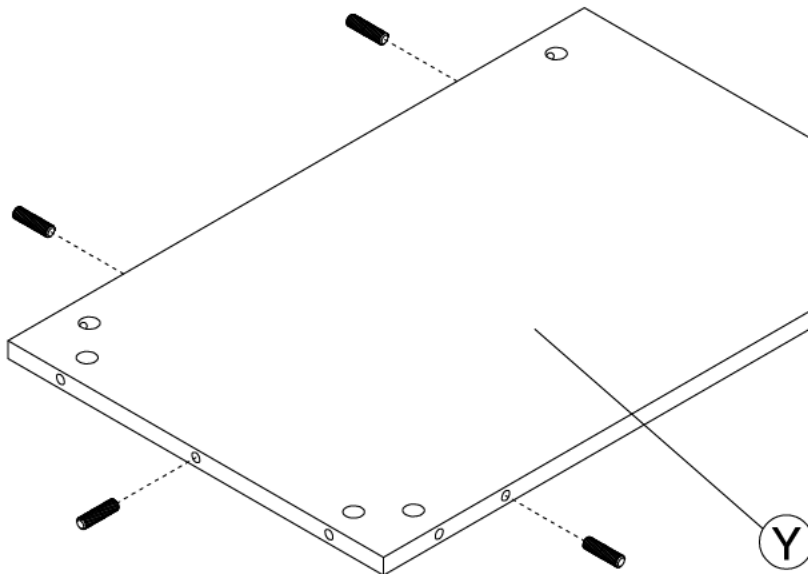
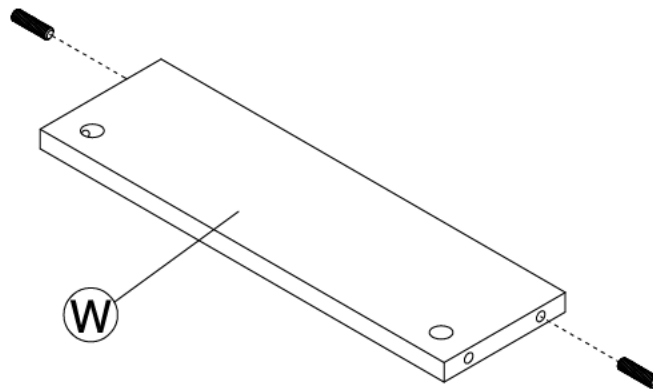
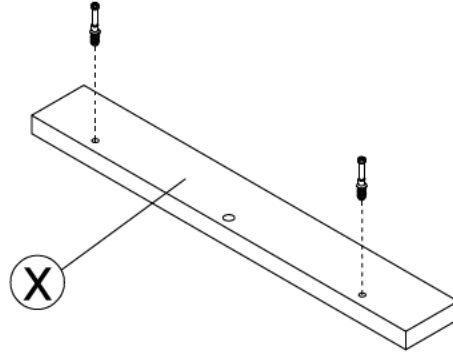
KD Bolt

H38169



[7]

Wood Dowel
8 x 30mm

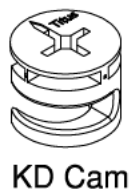


Safety glasses
Gafas de seguridad
Lunettes de protection

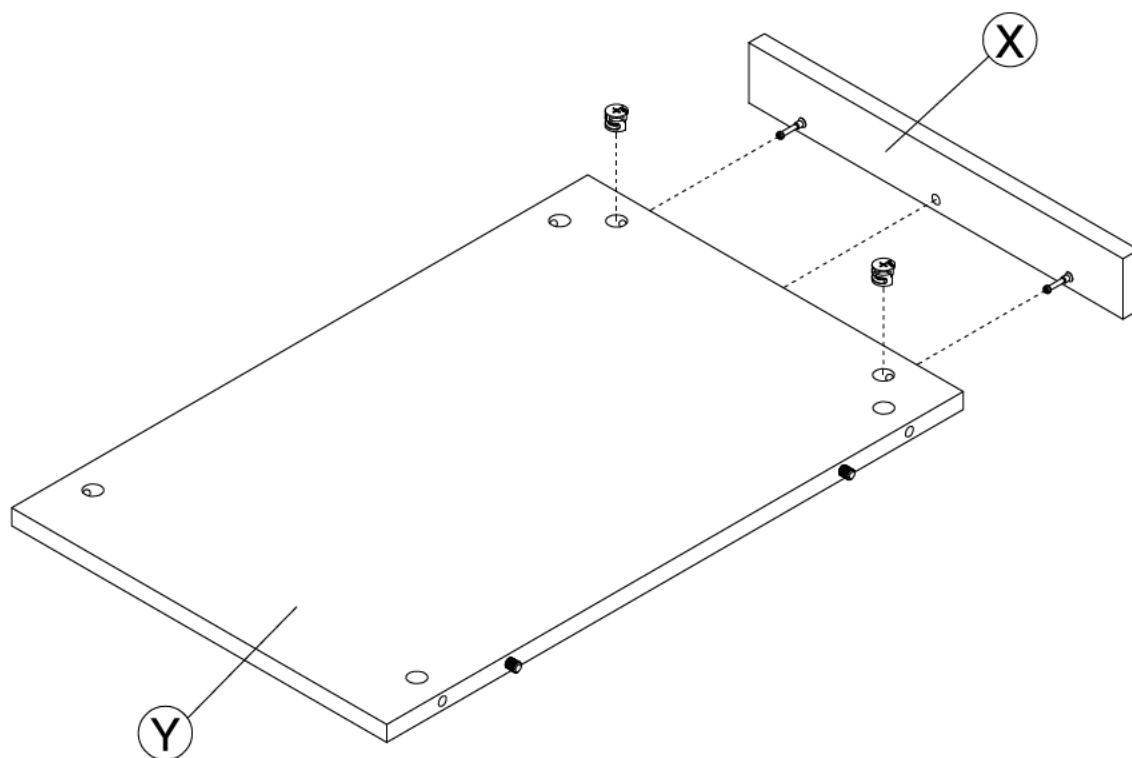
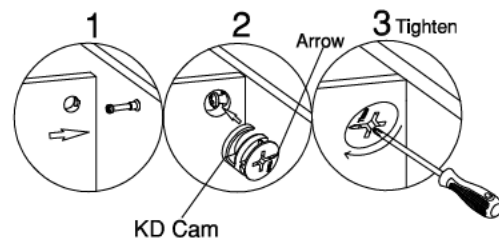
STEP 6

Assemble Panels

H181468



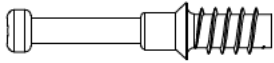
[2]



STEP 7

Prepare Panels

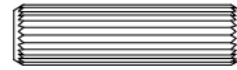
H180604



[3]

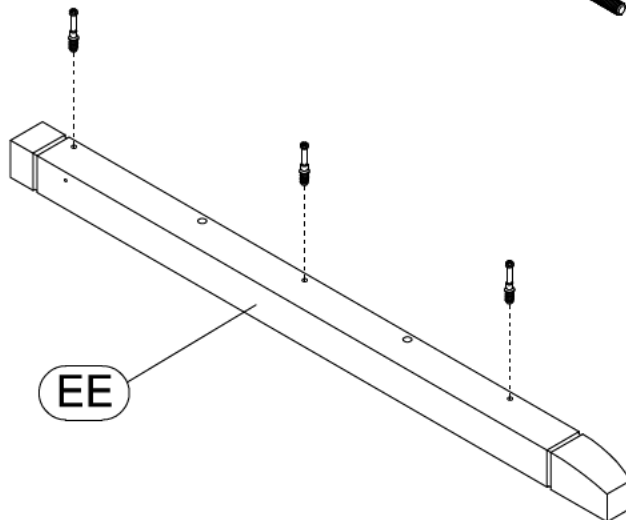
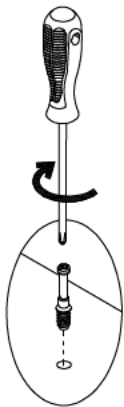
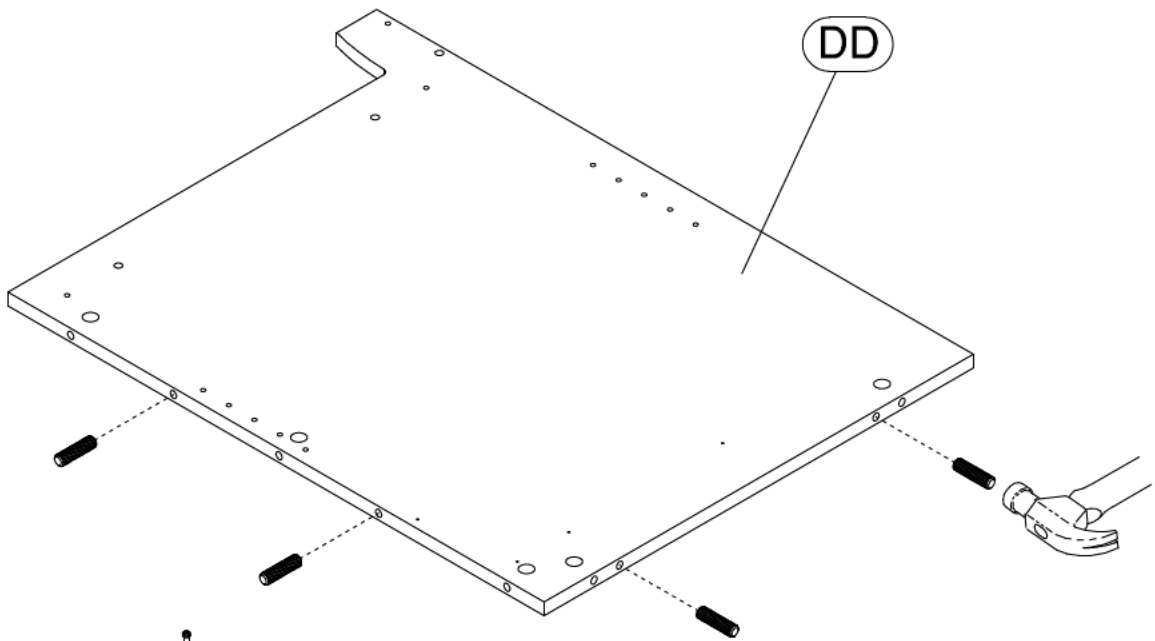
KD Bolt

H38169



[4]

Wood Dowel
8 x 30mm

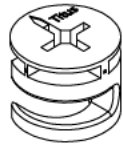


Safety glasses
Gafas de seguridad
Lunettes de protection

STEP 8

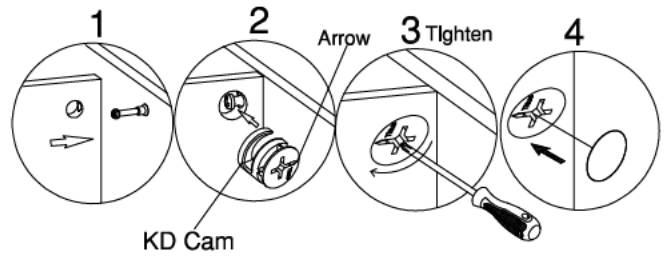
Assemble Panels

H181468



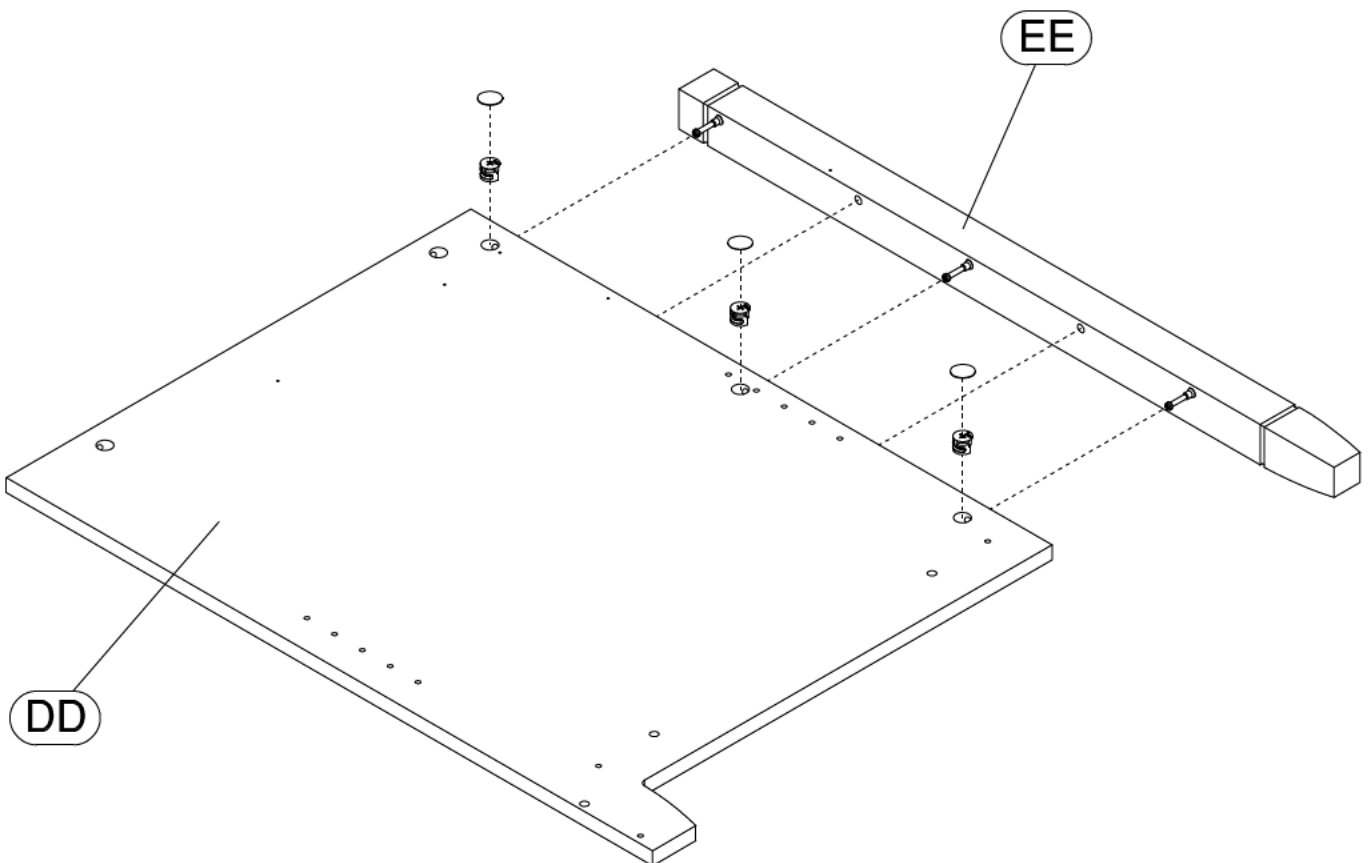
KD Cam

[3]



Cover Cap

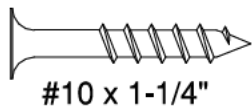
[3]



STEP 9

Assemble Panels

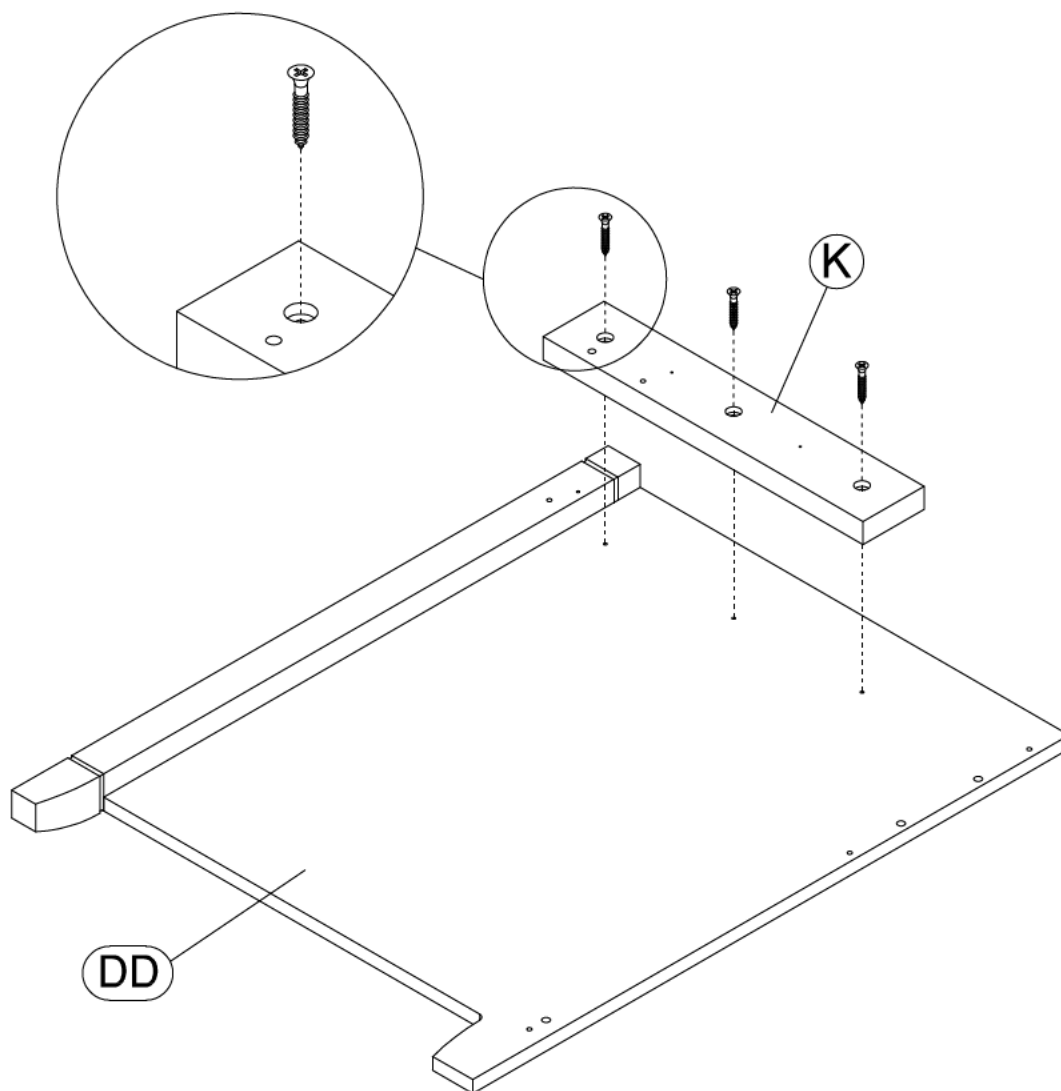
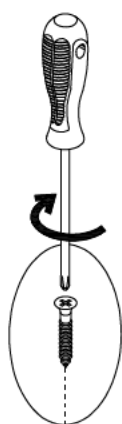
H26053



[3]

#10 x 1-1/4"

Flip DD part over
Voltear DD parte sobre
Retourner la partie DD



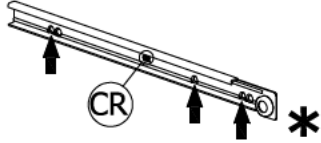
STEP 10

Prepare Panel

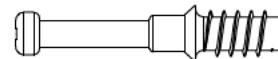
Q89892

14" Slide Mount

[1]



H180604



KD Bolt

[8]

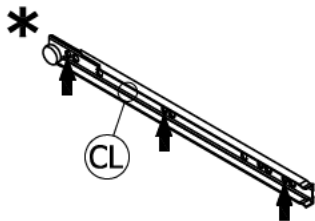
H149994



Rubber Stop

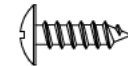
[1]

Z35219



[1]

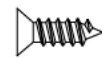
H101725



#6 x 1/2"

[2]

H156825



#6 x 7/16"

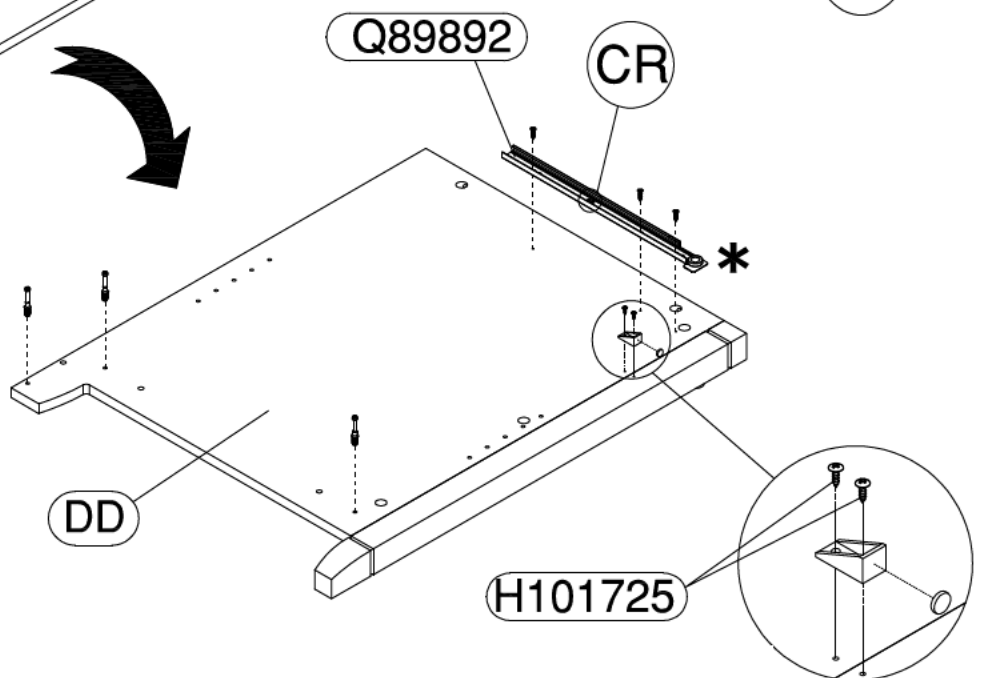
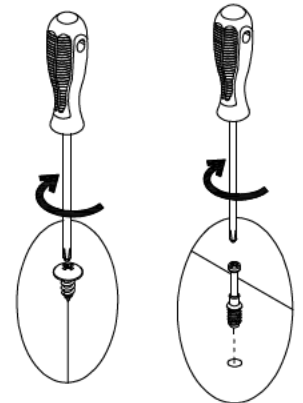
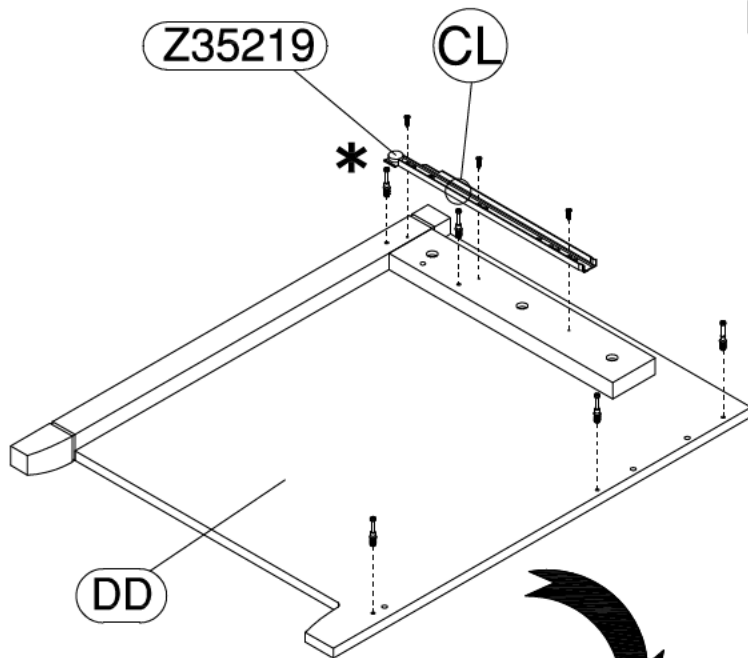
[6]

H149989



Ø10x2mm

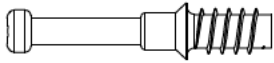
[1]



STEP 11

Prepare Panels

H180604



[6]

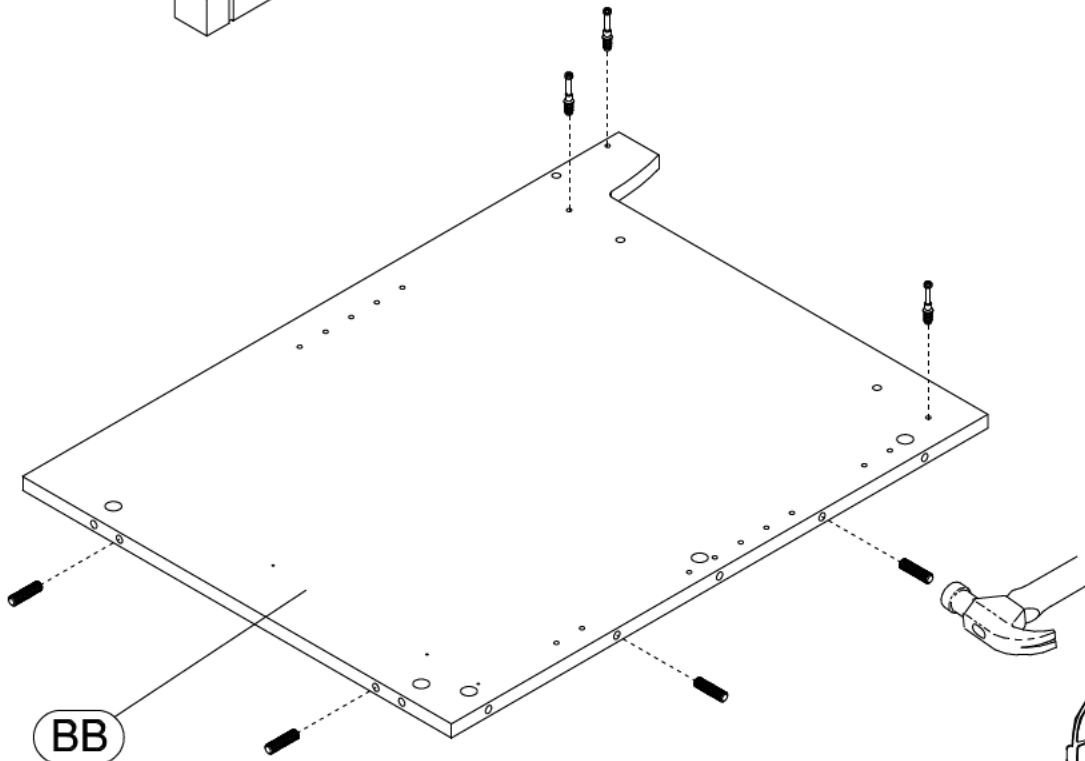
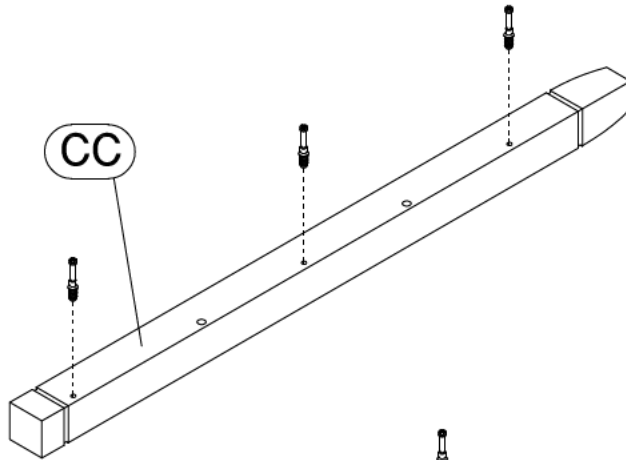
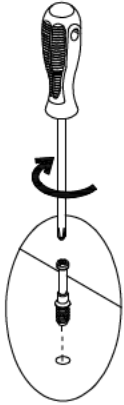
KD Bolt

H38169



[4]

Wood Dowel
8 x 30mm



Safety glasses
Gafas de seguridad
Lunettes de protection

STEP 12

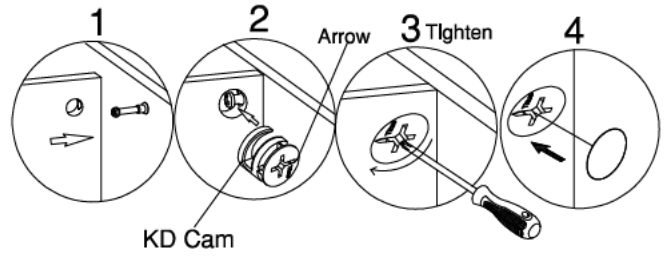
Assemble Panels

H181468



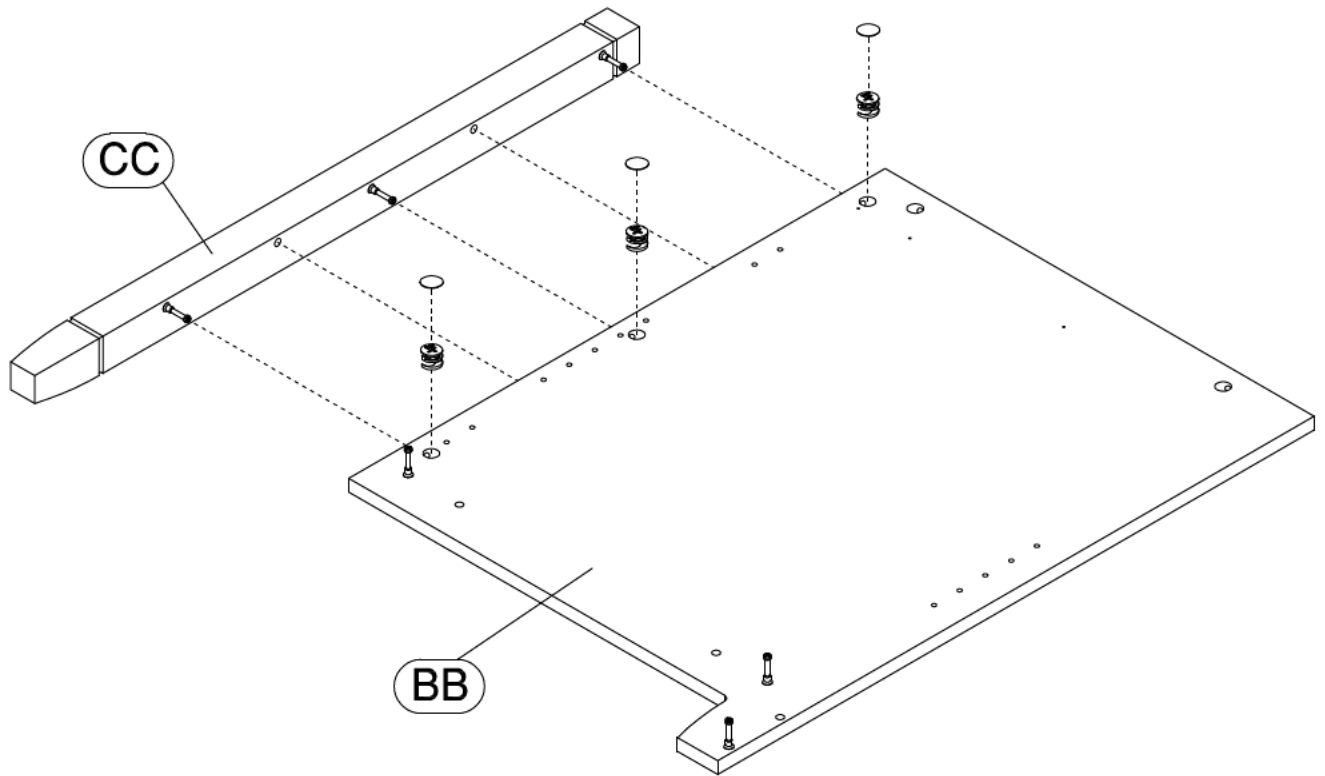
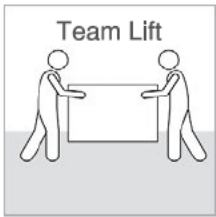
KD Cam

[3]



Cover Cap

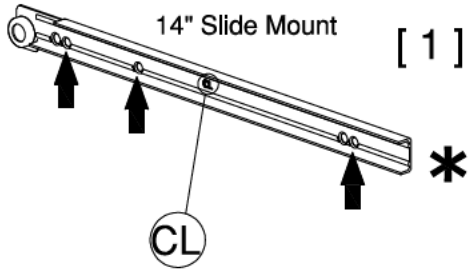
[3]



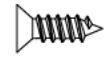
STEP 13

Prepare Panel

Q89892



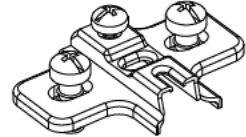
H156825



[3]

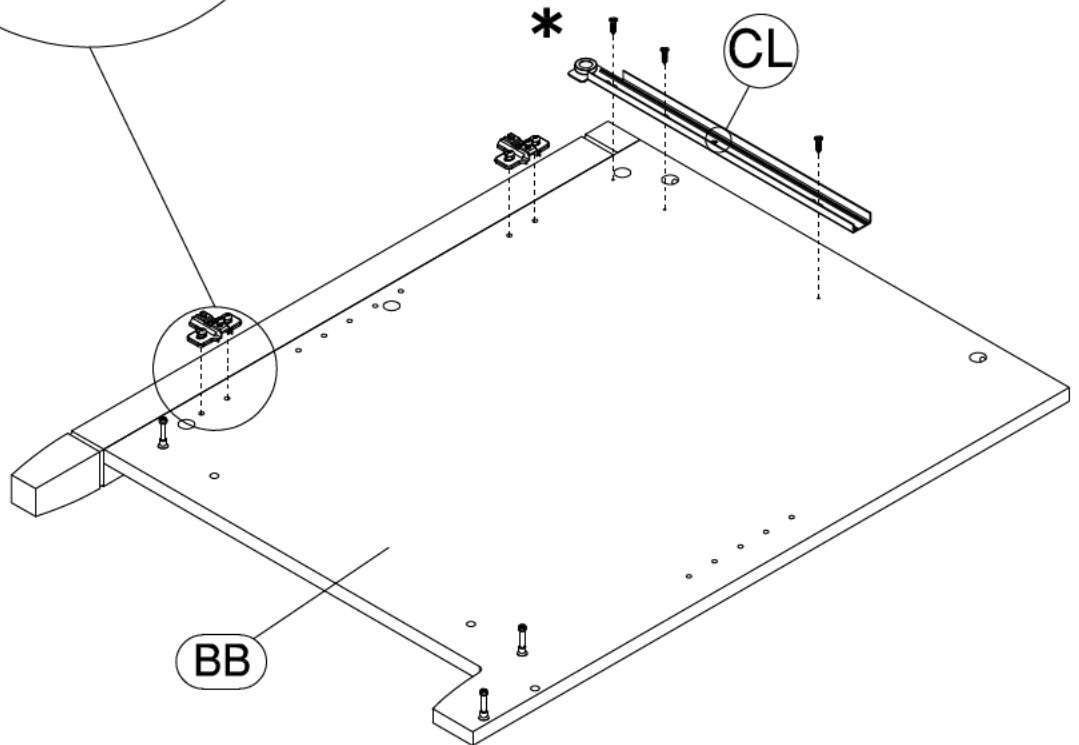
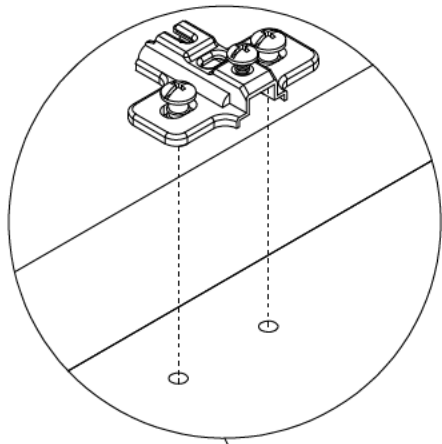
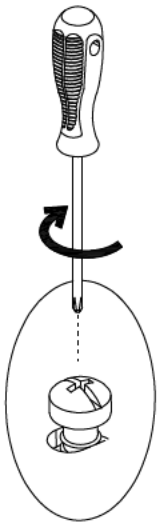
#6 x 7/16"

H170612



[2]

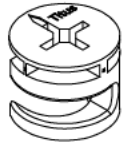
Mounting Plate



STEP 14

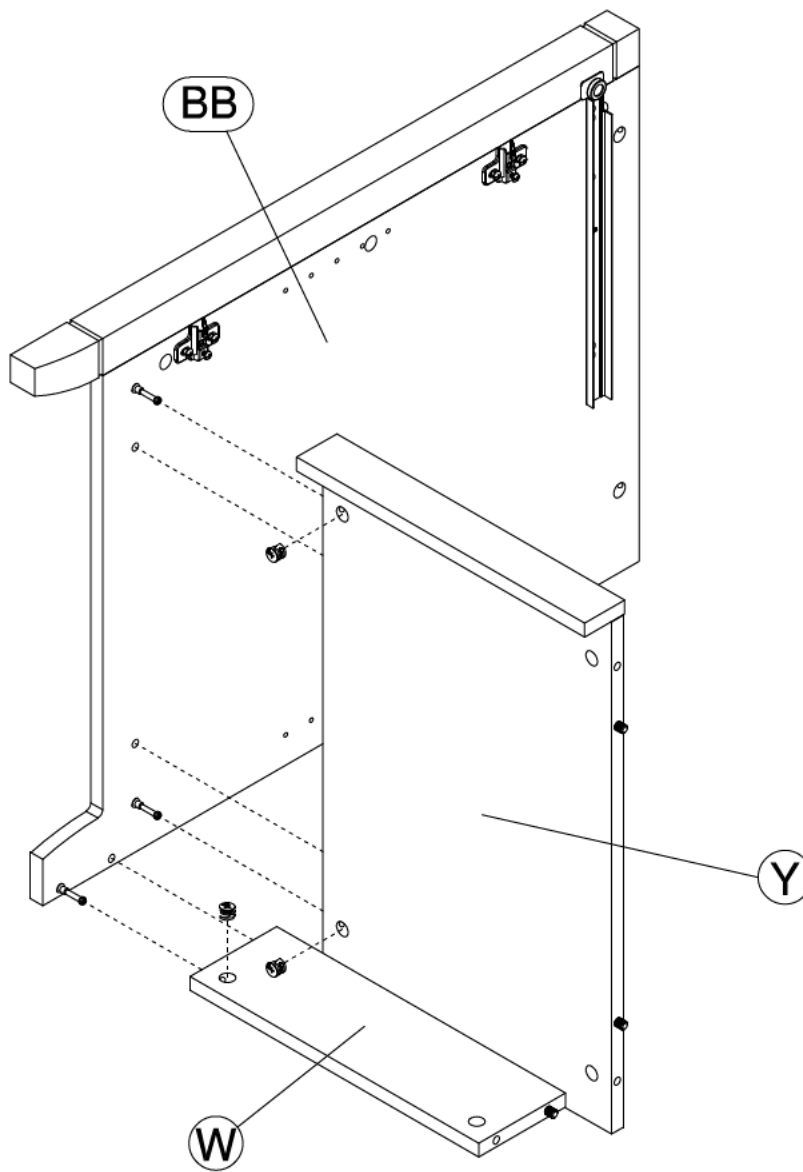
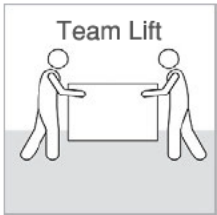
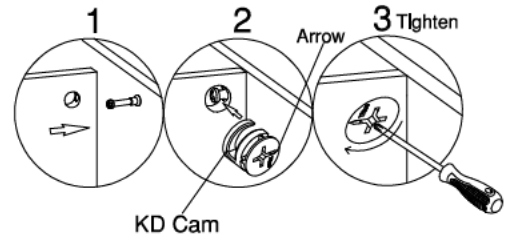
Assemble Panels

H181468



KD Cam

[3]



STEP 15

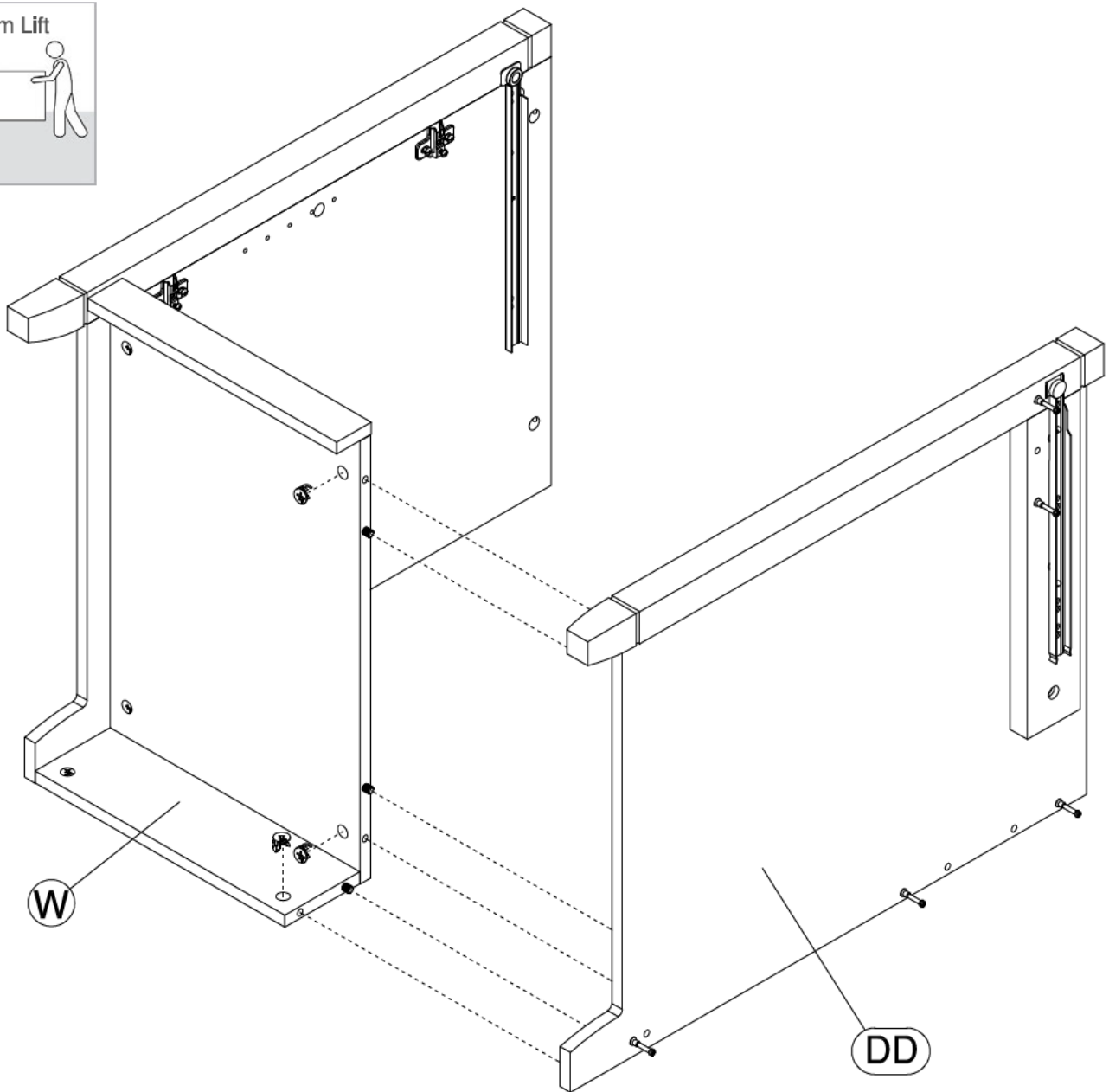
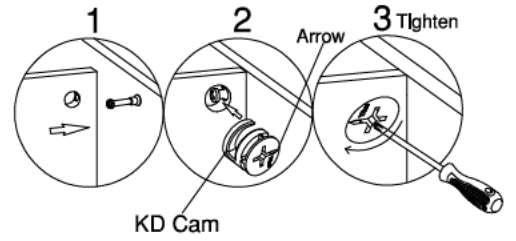
Assemble Panels

H181468



[3]

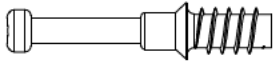
KD Cam



STEP 16

Prepare Panels

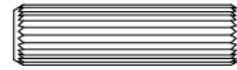
H180604



[2]

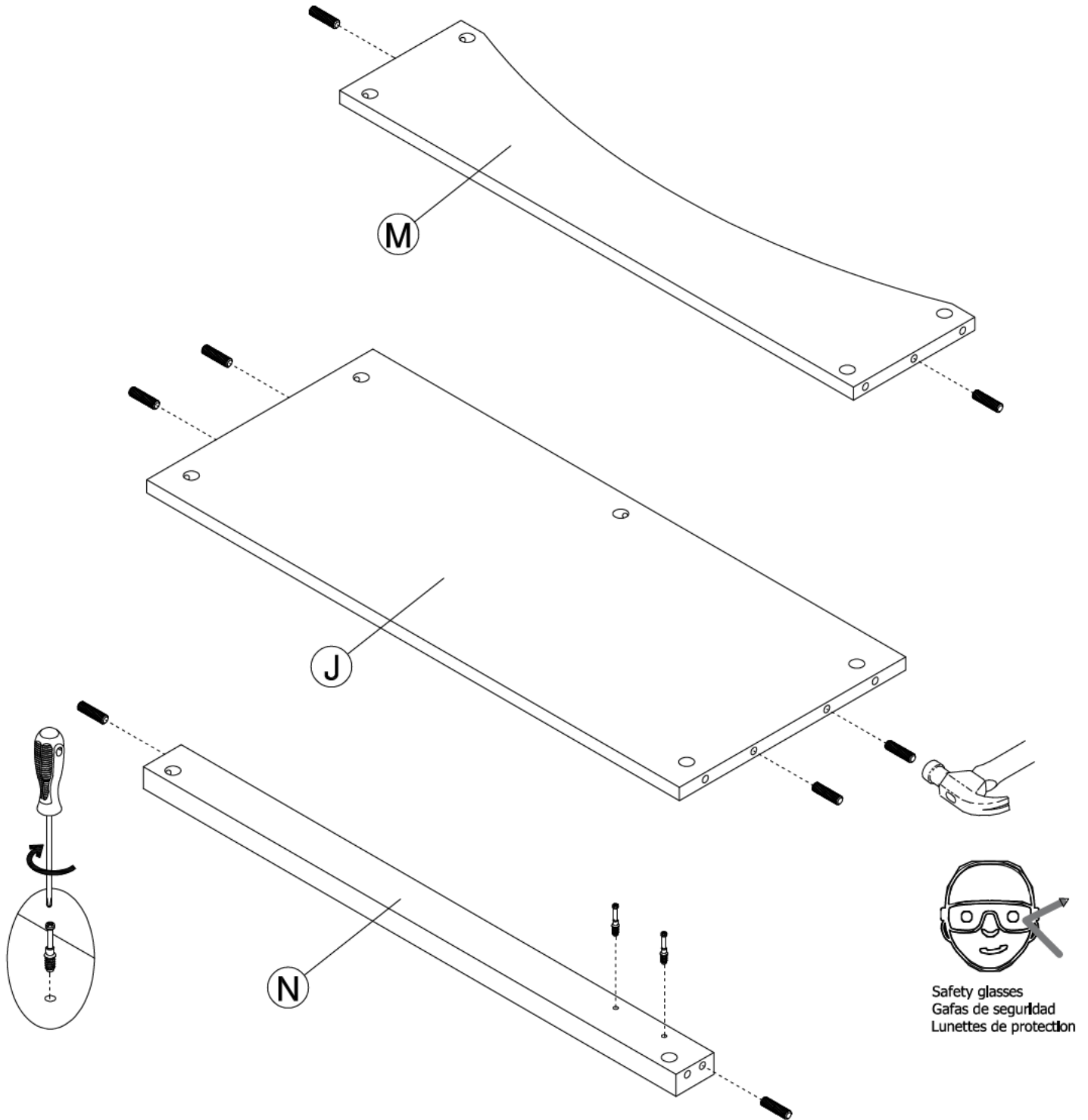
KD Bolt

H38169



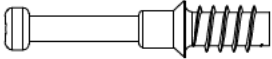
[8]

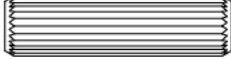
Wood Dowel
8 x 30mm



STEP 17


Prepare Panel


H180604  [7]
KD Bolt

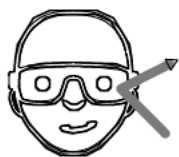
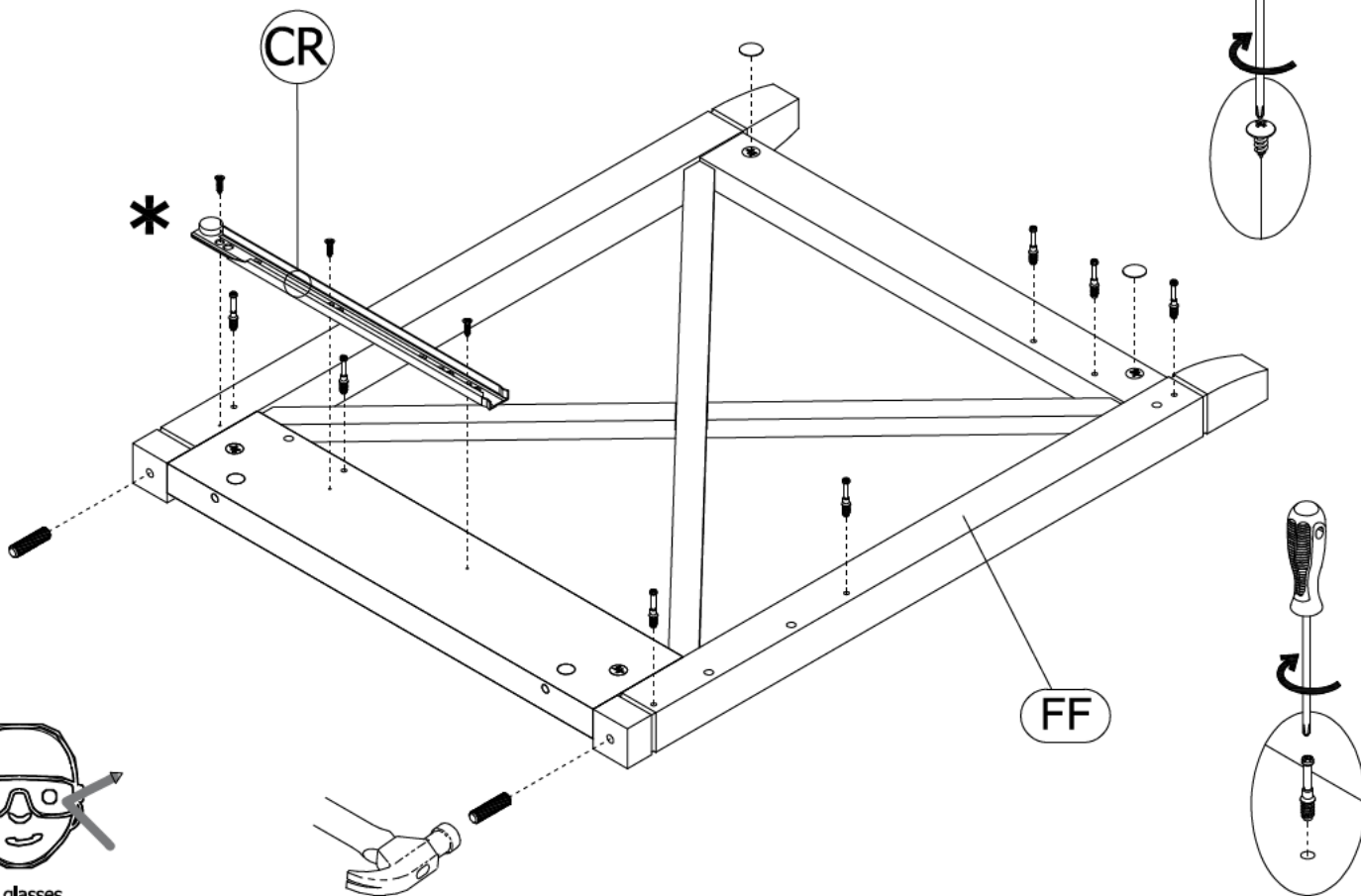
H38169  [2]
Wood Dowel
8 x 30mm

Z35218

*  14" Slide Mount(356mm)
[1]
CR

H156825  [3]
#6 x 7/16"

 [2]
Cover Cap

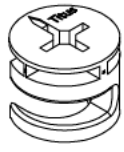


Safety glasses
Gafas de seguridad
Lunettes de protection

STEP 18

Assemble Panels

H181468



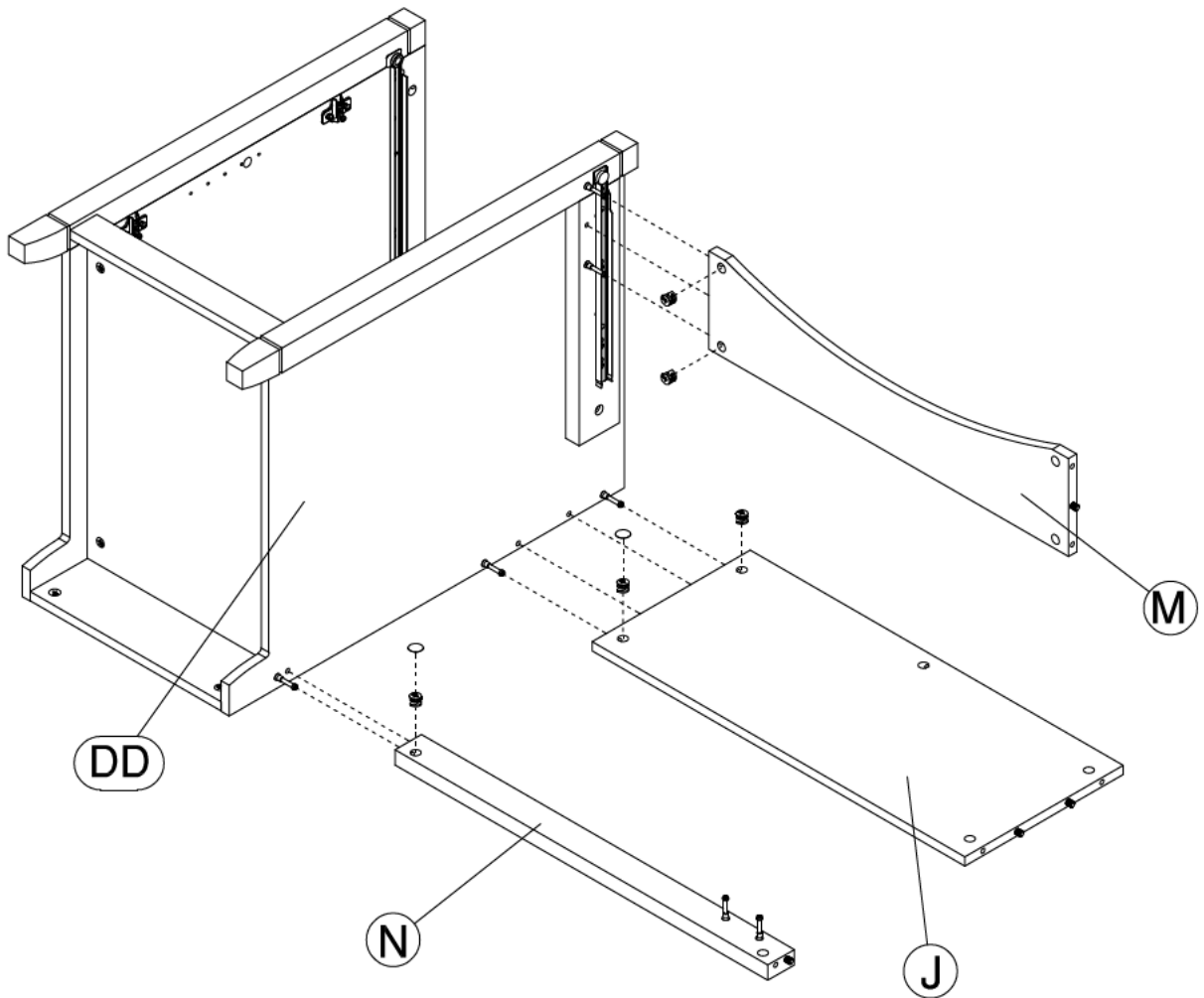
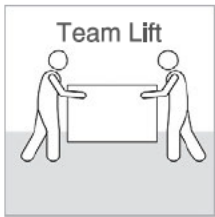
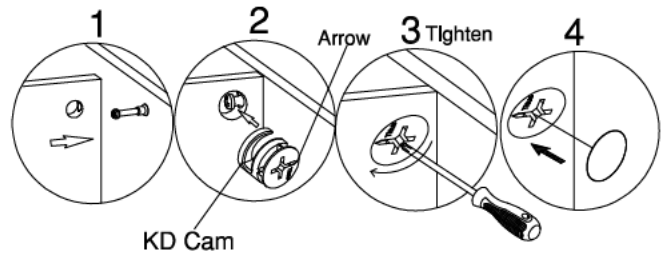
KD Cam

[5]



Cover Cap

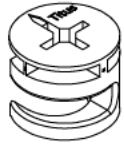
[2]



STEP 19

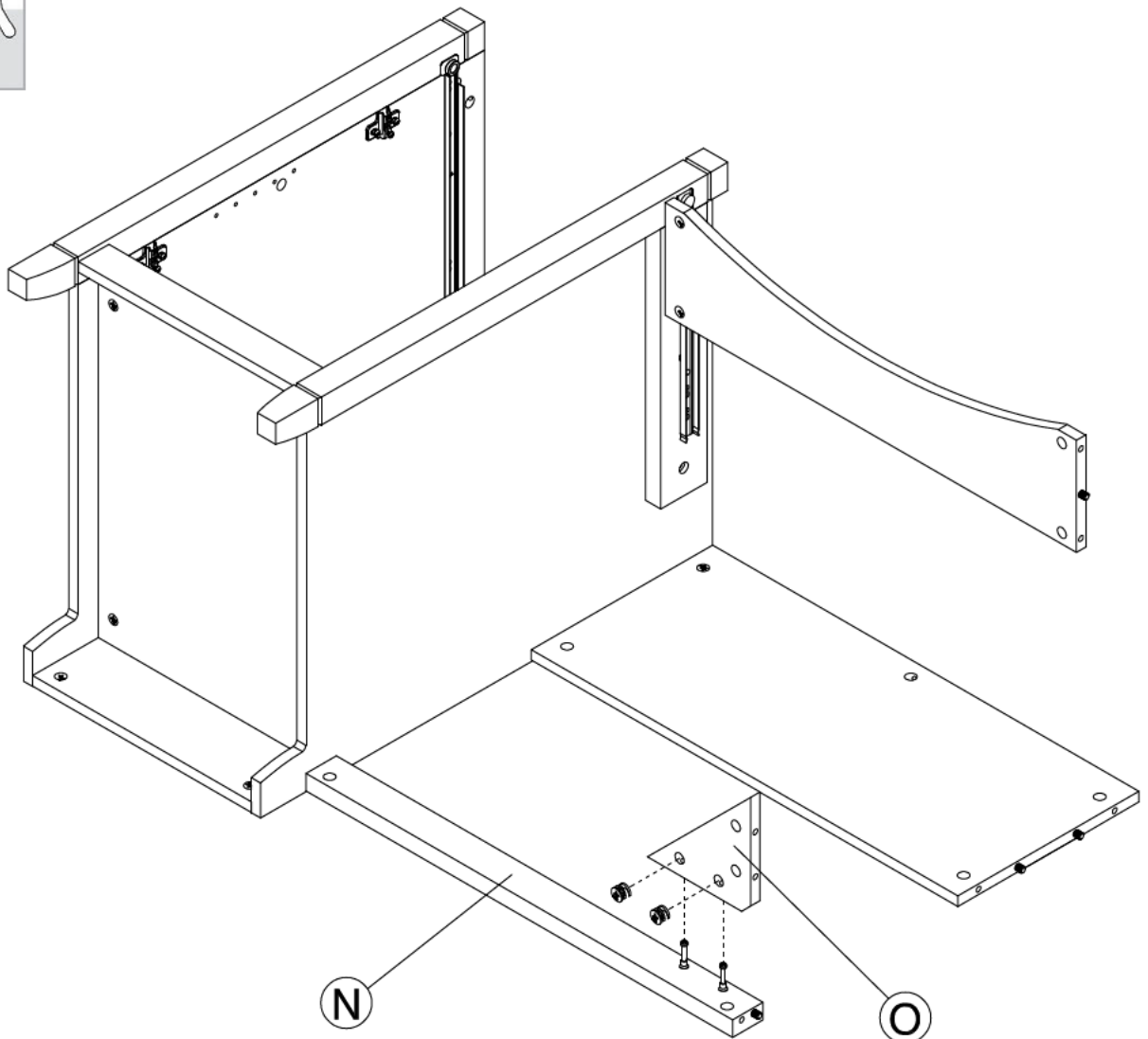
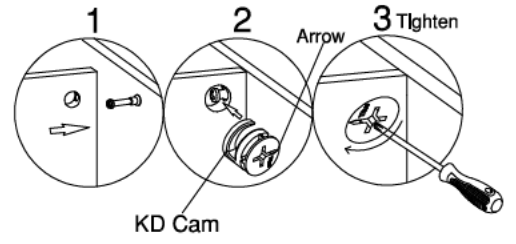
Assemble Panels

H181468



KD Cam

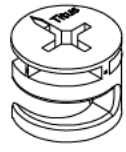
[2]



STEP 20

Assemble Panels

H181468



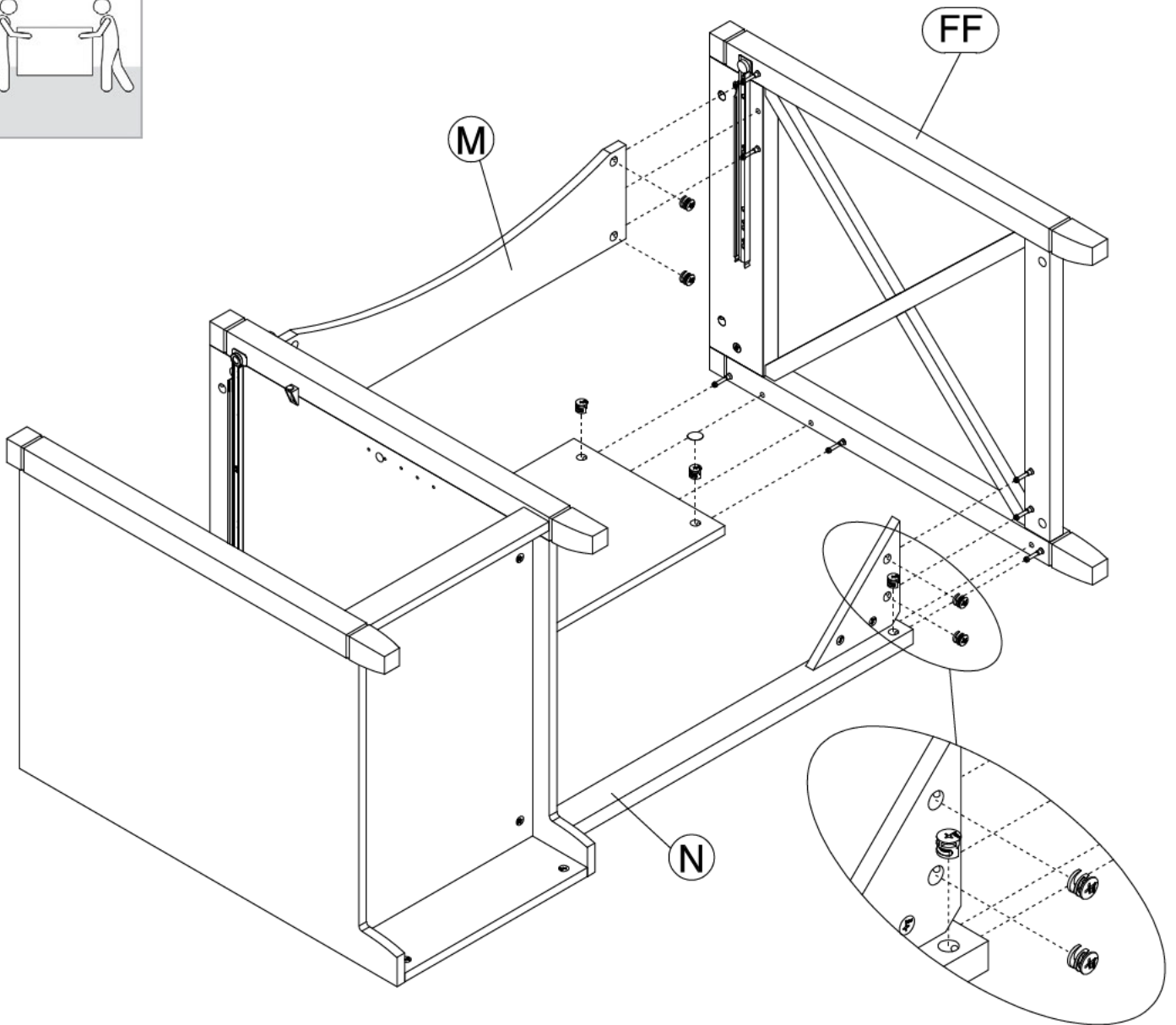
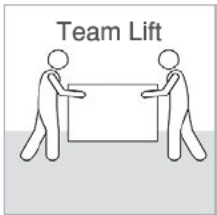
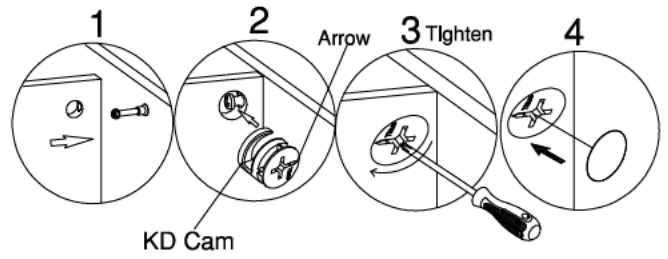
KD Cam

[7]



Cover Cap

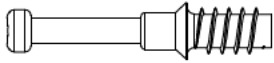
[1]



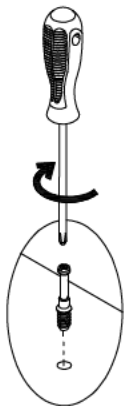
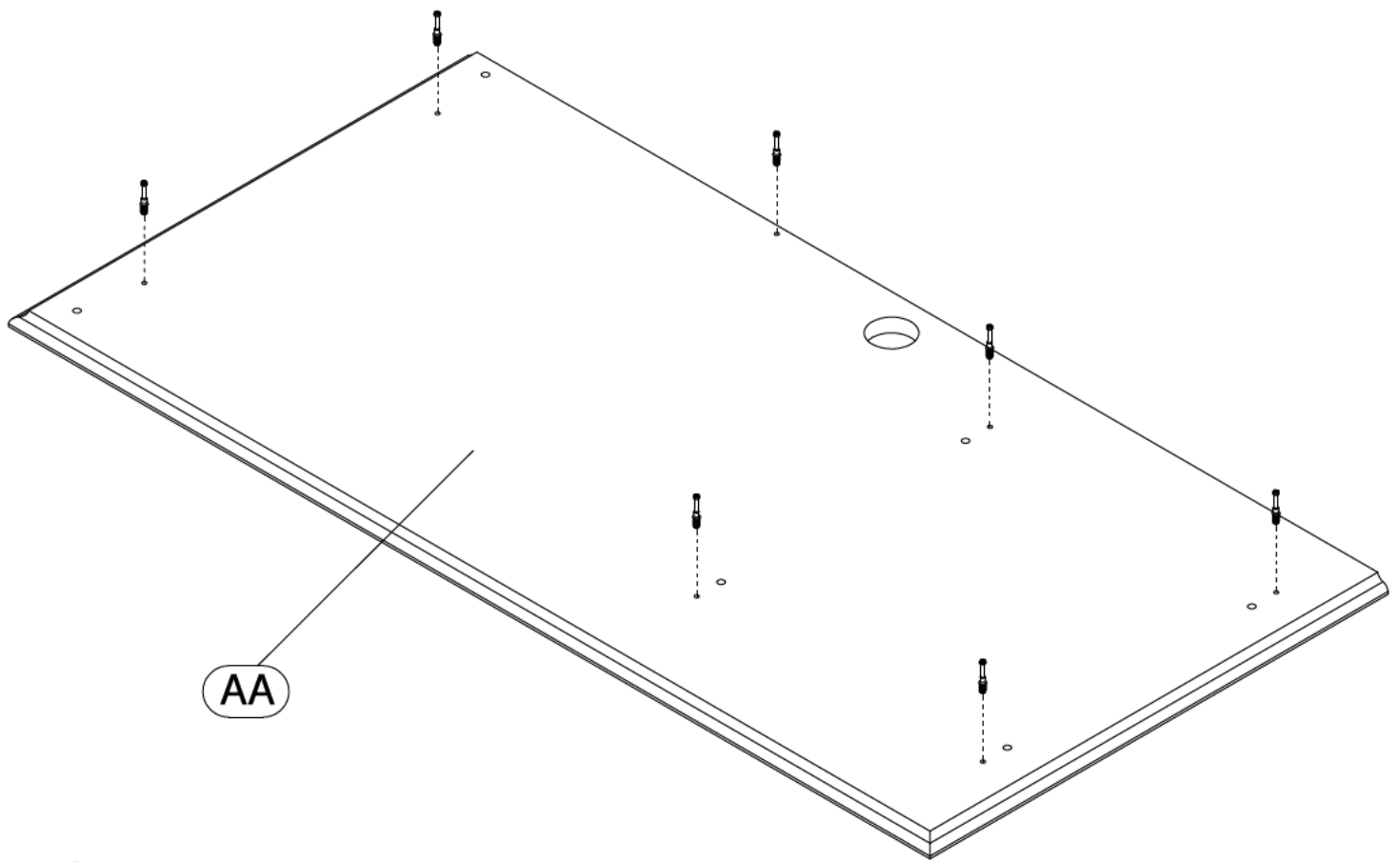
STEP 21

Prepare Panel

H180604 [7]



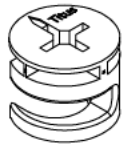
KD Bolt



STEP 22

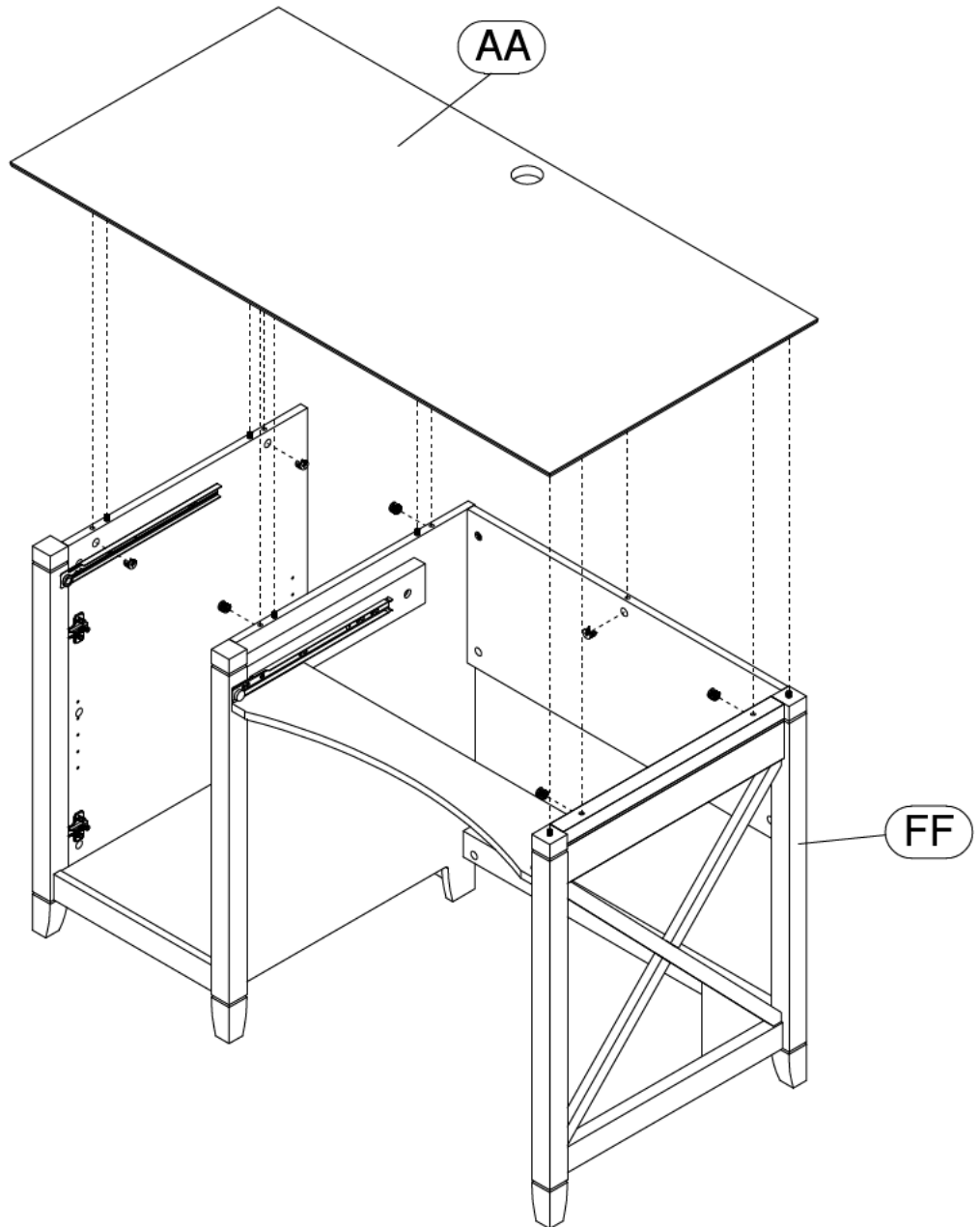
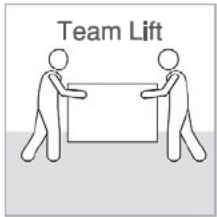
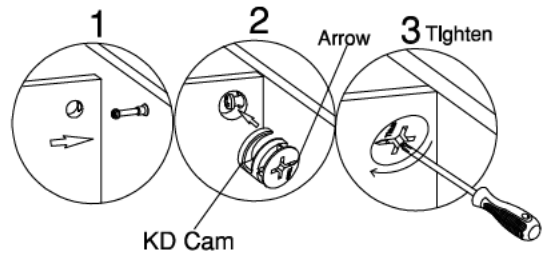
Assemble Panels

H181468



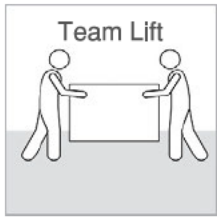
KD Cam

[7]

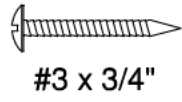


STEP 23

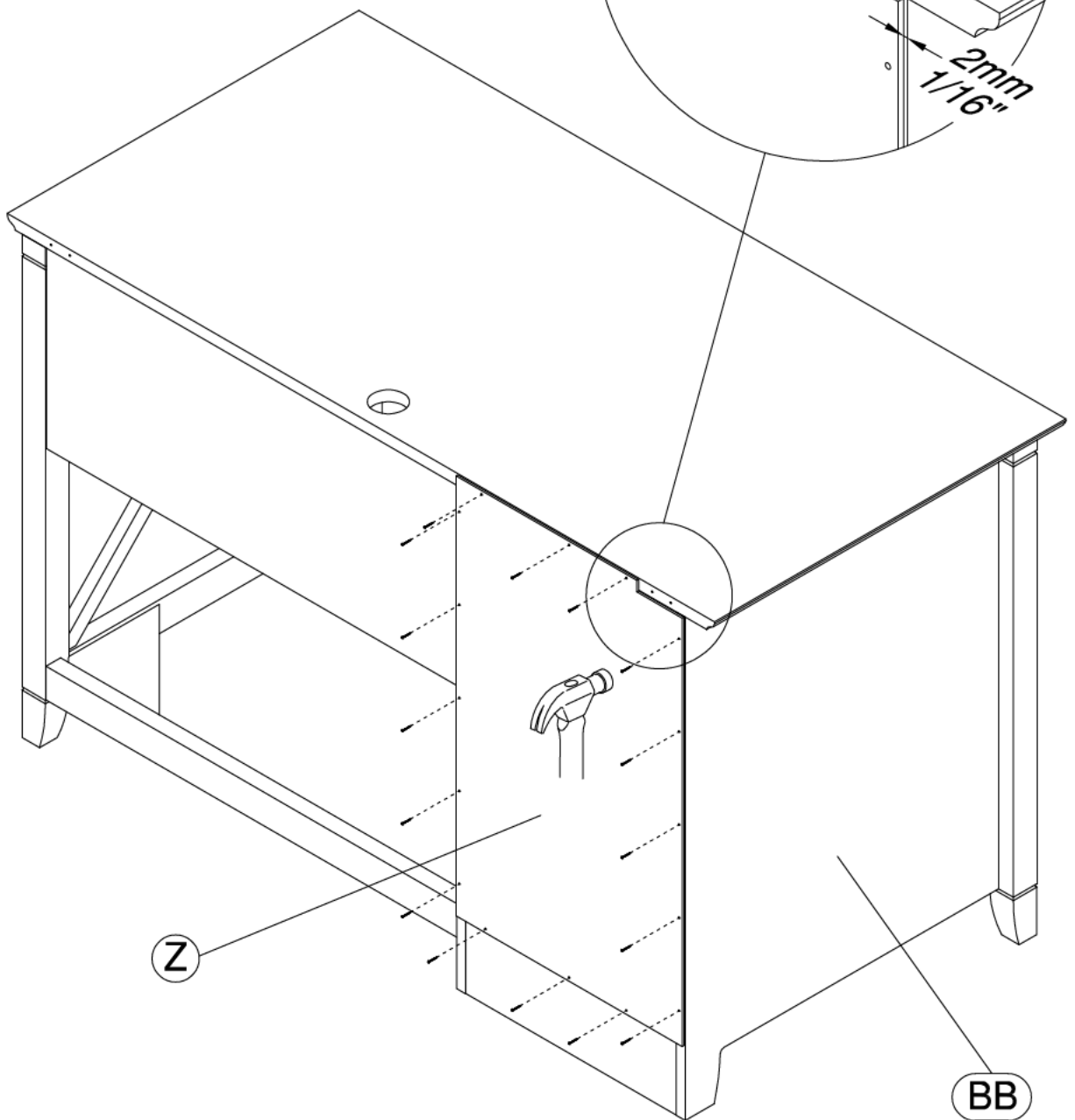
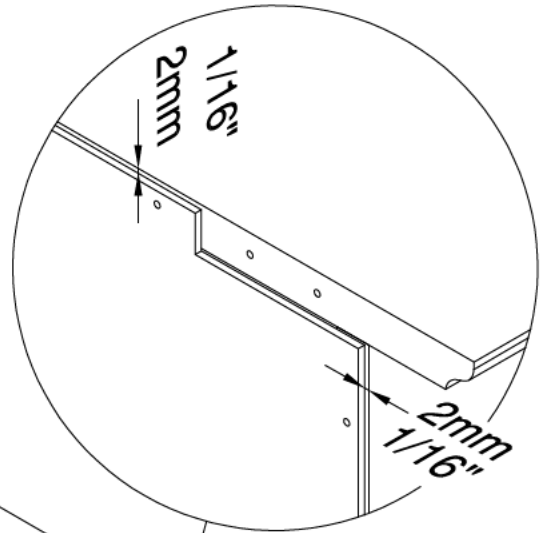
Attach Back Panel



H34174



[16]



Safety glasses
Gafas de seguridad
Lunettes de protection

STEP 24

Install Shelf

H23604



Shelf Pin

[4]

H126396



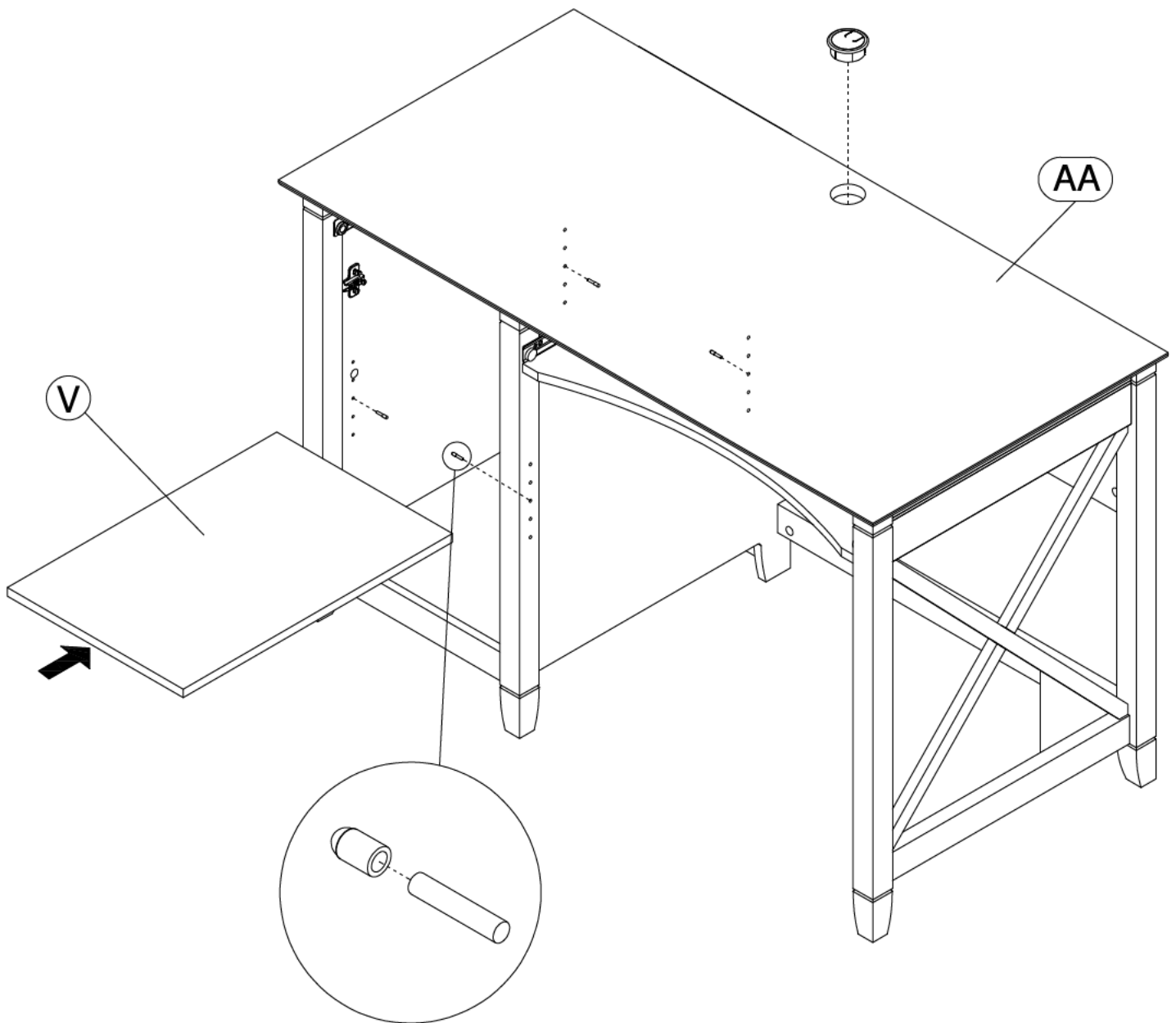
Shelf Pin Sleeve

[4]



Grommet

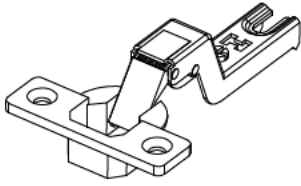
[1]



STEP 25

Prepare Door

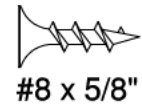
H170611



Hinge

[2]

H153242



#8 x 5/8"

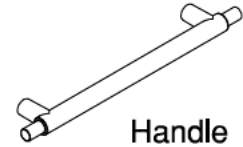
[4]

H182556



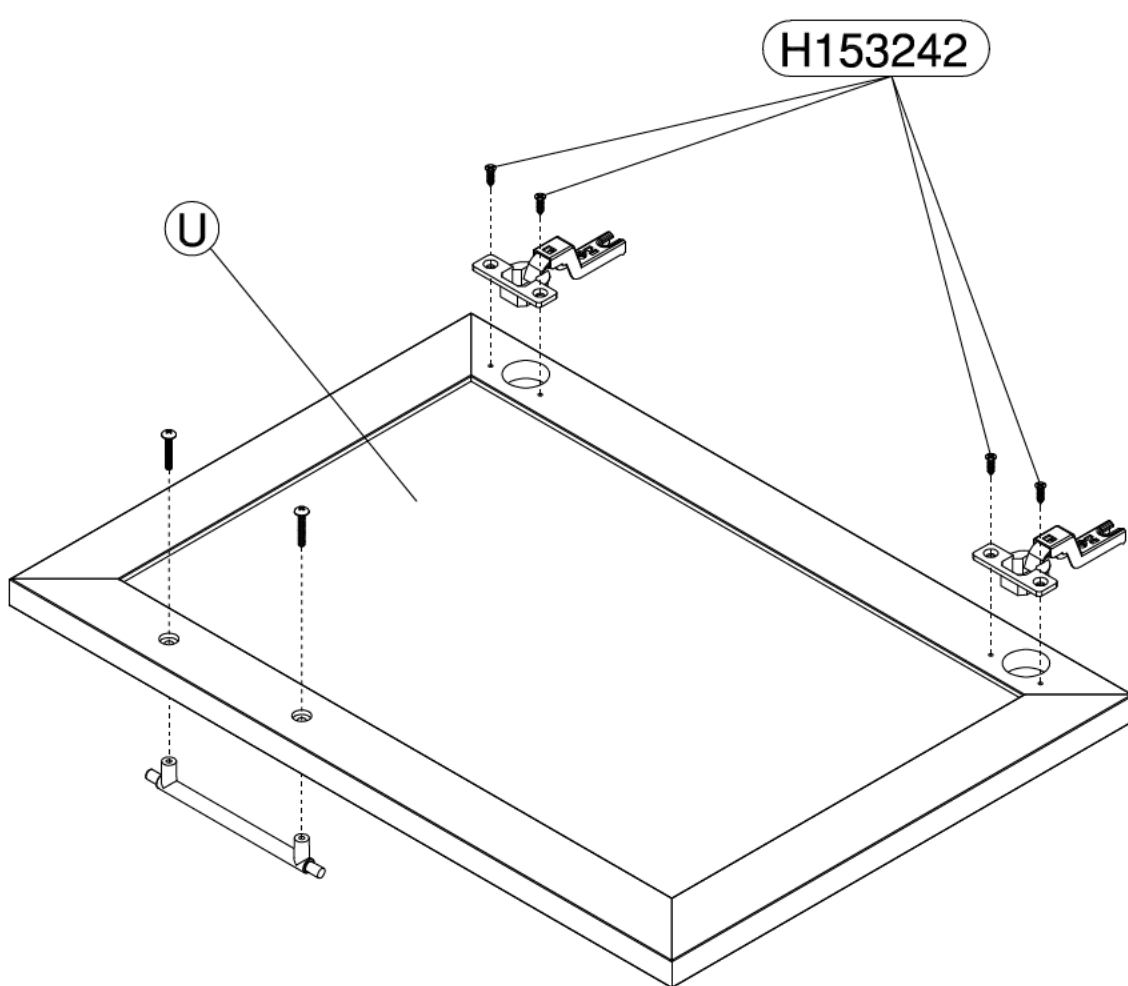
#8 x 7/8"

[2]



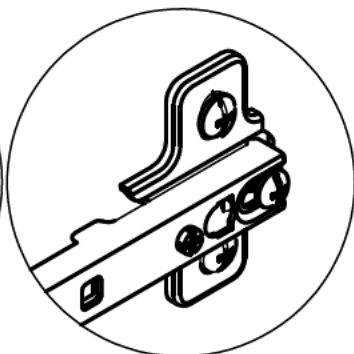
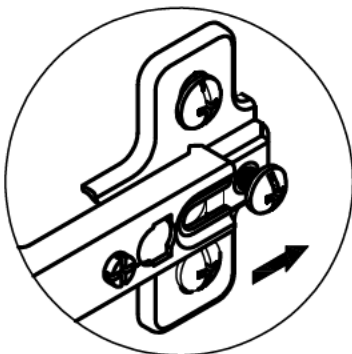
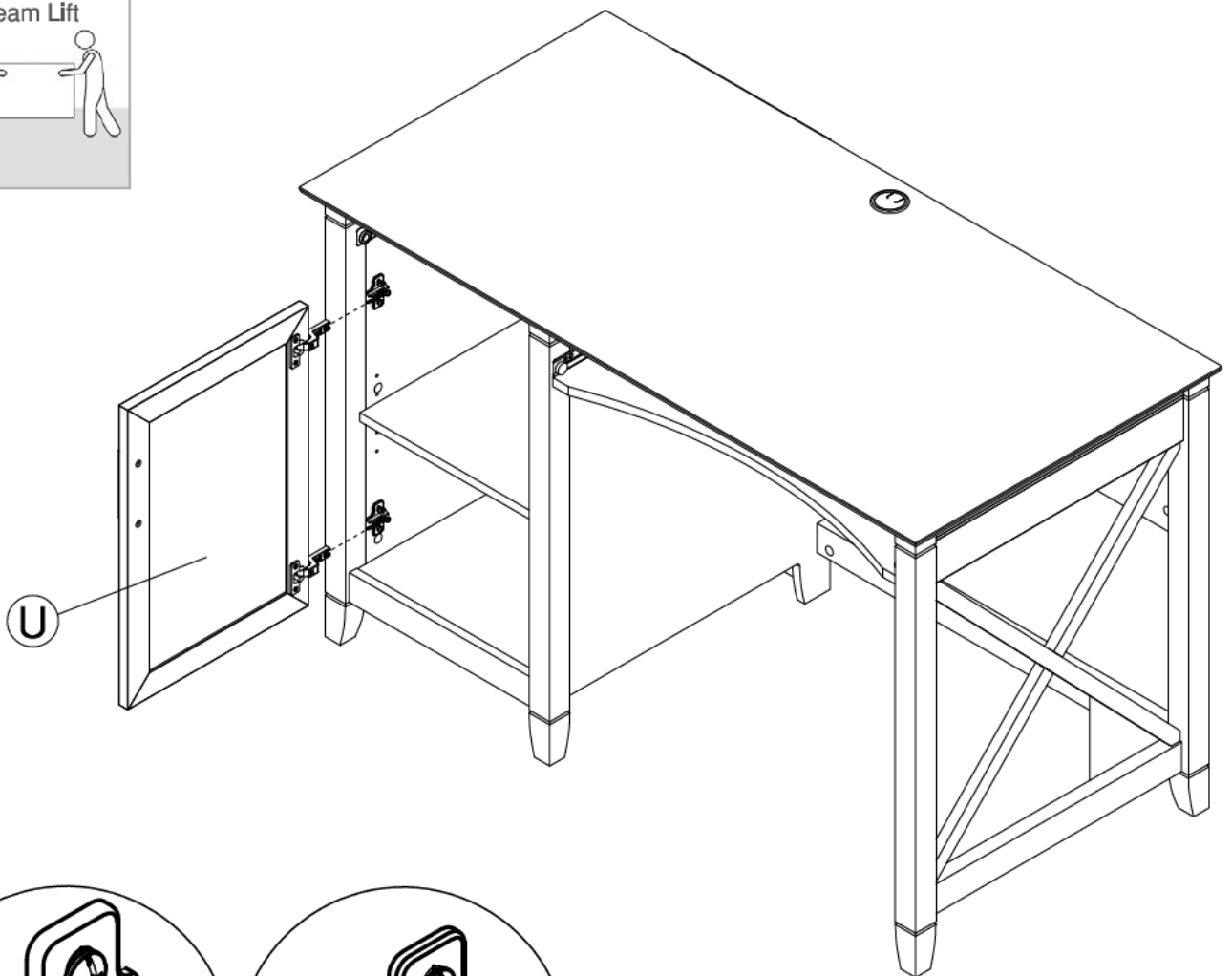
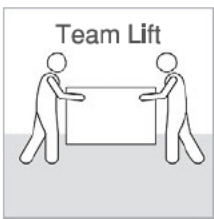
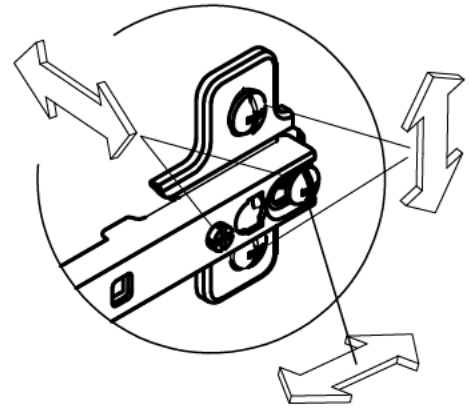
Handle

[1]



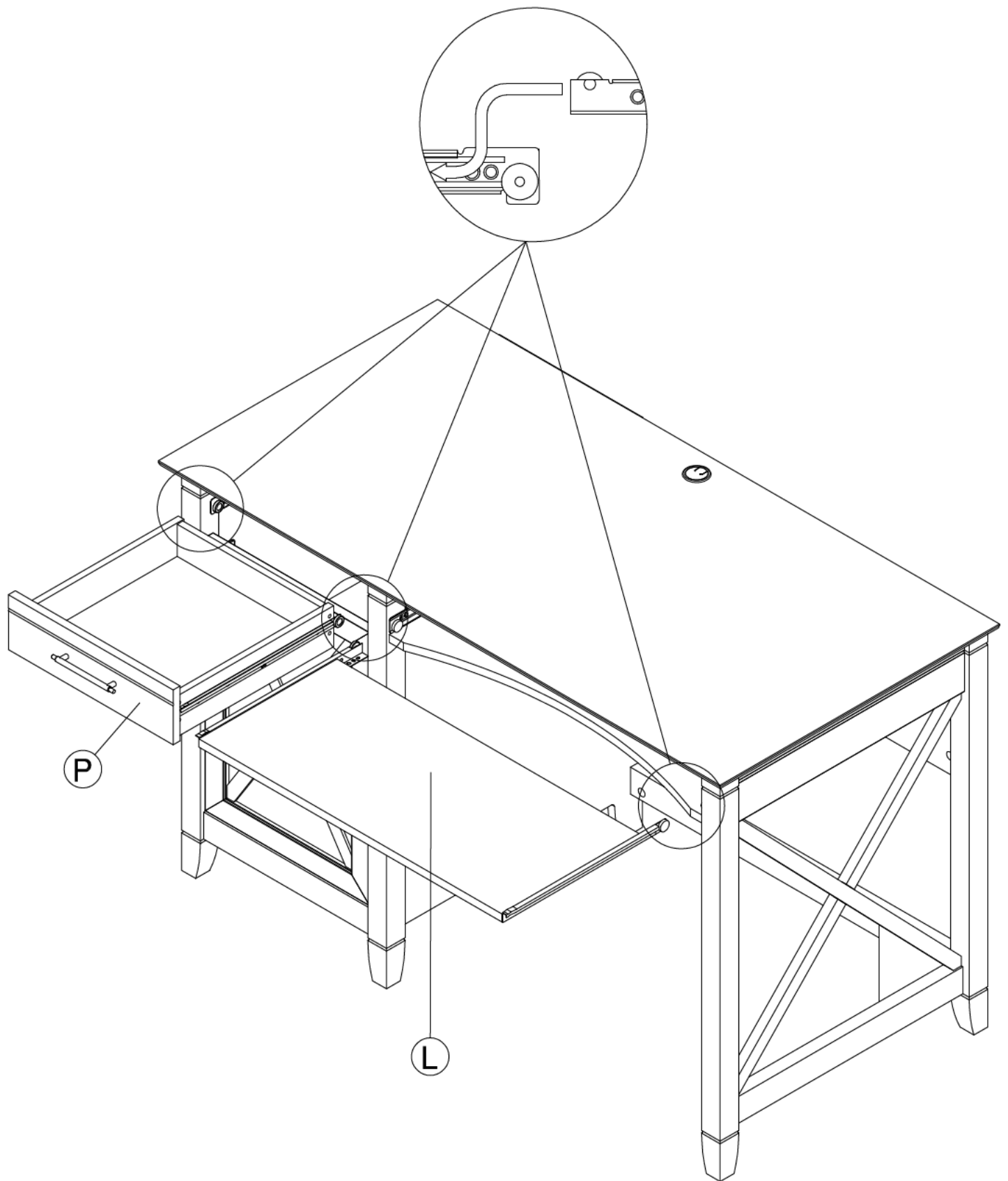
STEP 26

Assemble and Adjust Door



STEP 27

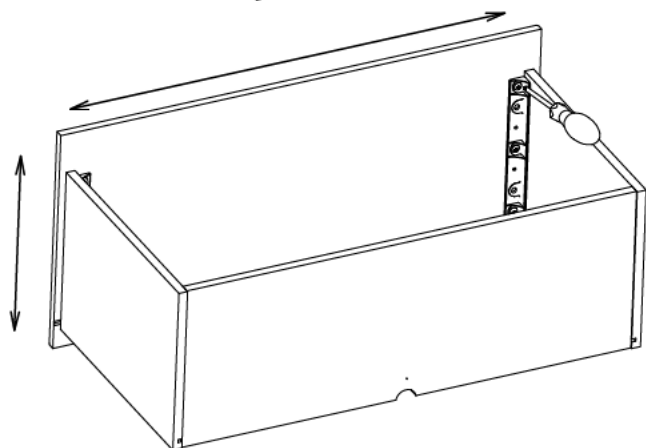
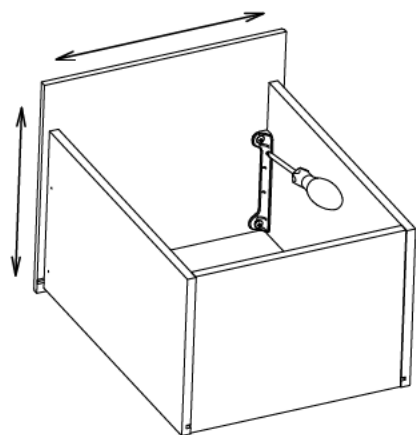
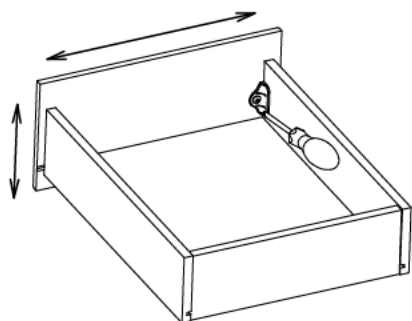
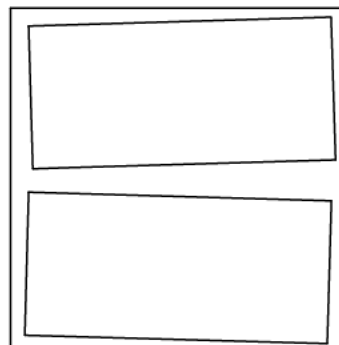
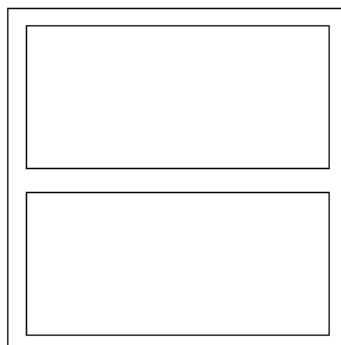
Install Drawers



STEP 28

Drawer Adjustment

DRAWER FRONT VIEW



REQUIRED TOOL: PHILLIPS SCREWDRIVER

HERRAMIENTA REQUERIDA: DESTORNILLADOR PHILLIPS
OUTIL REQUIS: TOURNEVIS CRUCIFORME



1. LOOSEN SCREWS.
2. ADJUST DRAWER FRONTS.
3. TIGHTEN SCREWS.

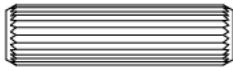
1. Afloje los tornillos
2. Ajustar frentes de cajón
3. Apriete los tornillos

1. Desserrer les vis
2. Ajuster les façades des tiroirs
3. Serrer les vis

STEP 29

Prepare Panels

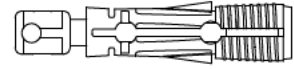
H38169



[4]

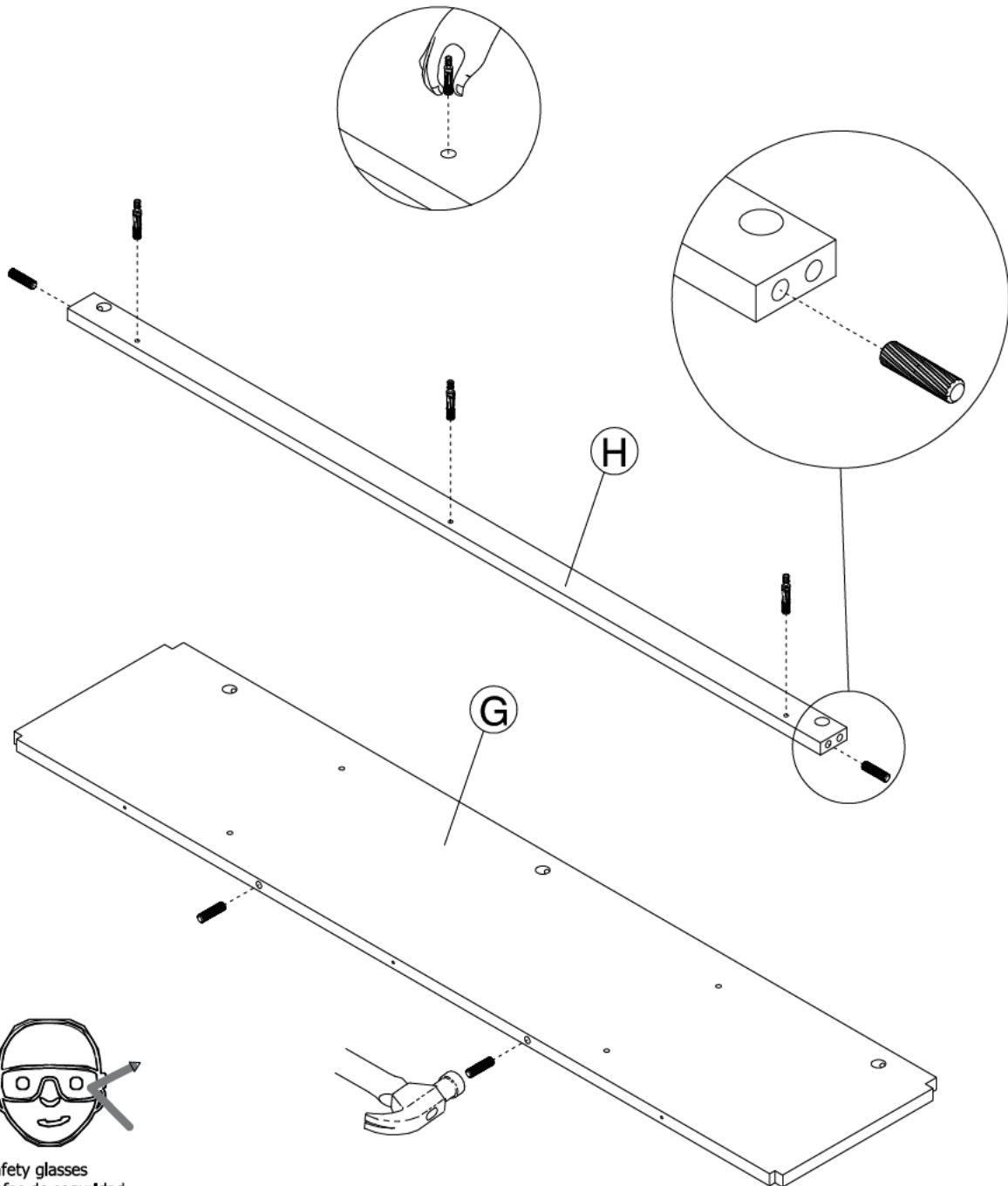
Wood Dowel
8 x 30mm

H166336



[3]

Quick Connect

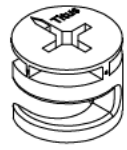


Safety glasses
Gafas de seguridad
Lunettes de protection

STEP 30

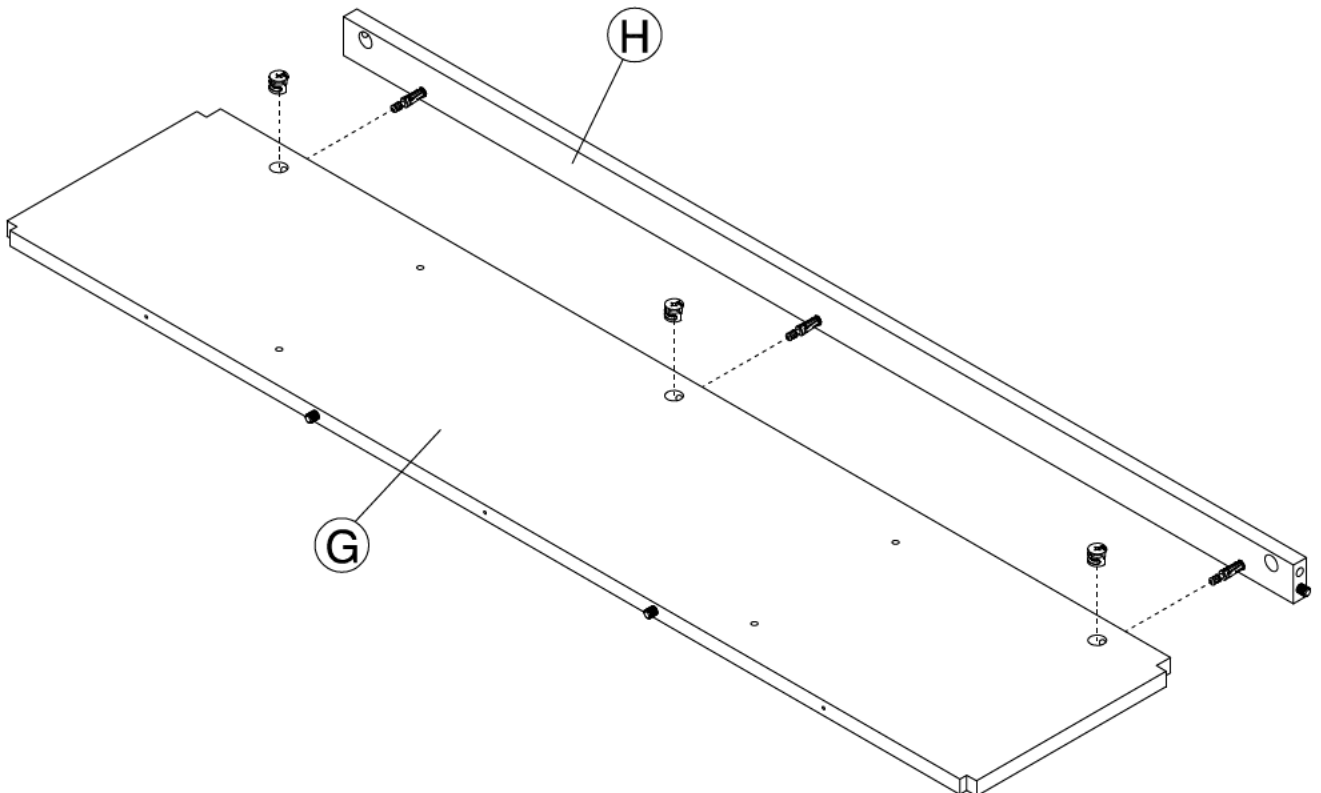
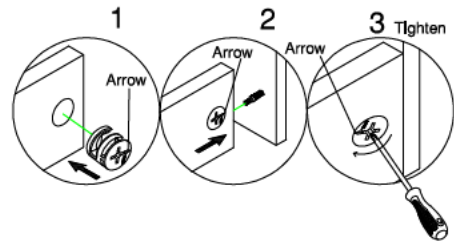
Assemble Panels

H181468



[3]

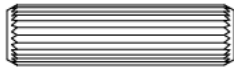
KD Cam



STEP 31

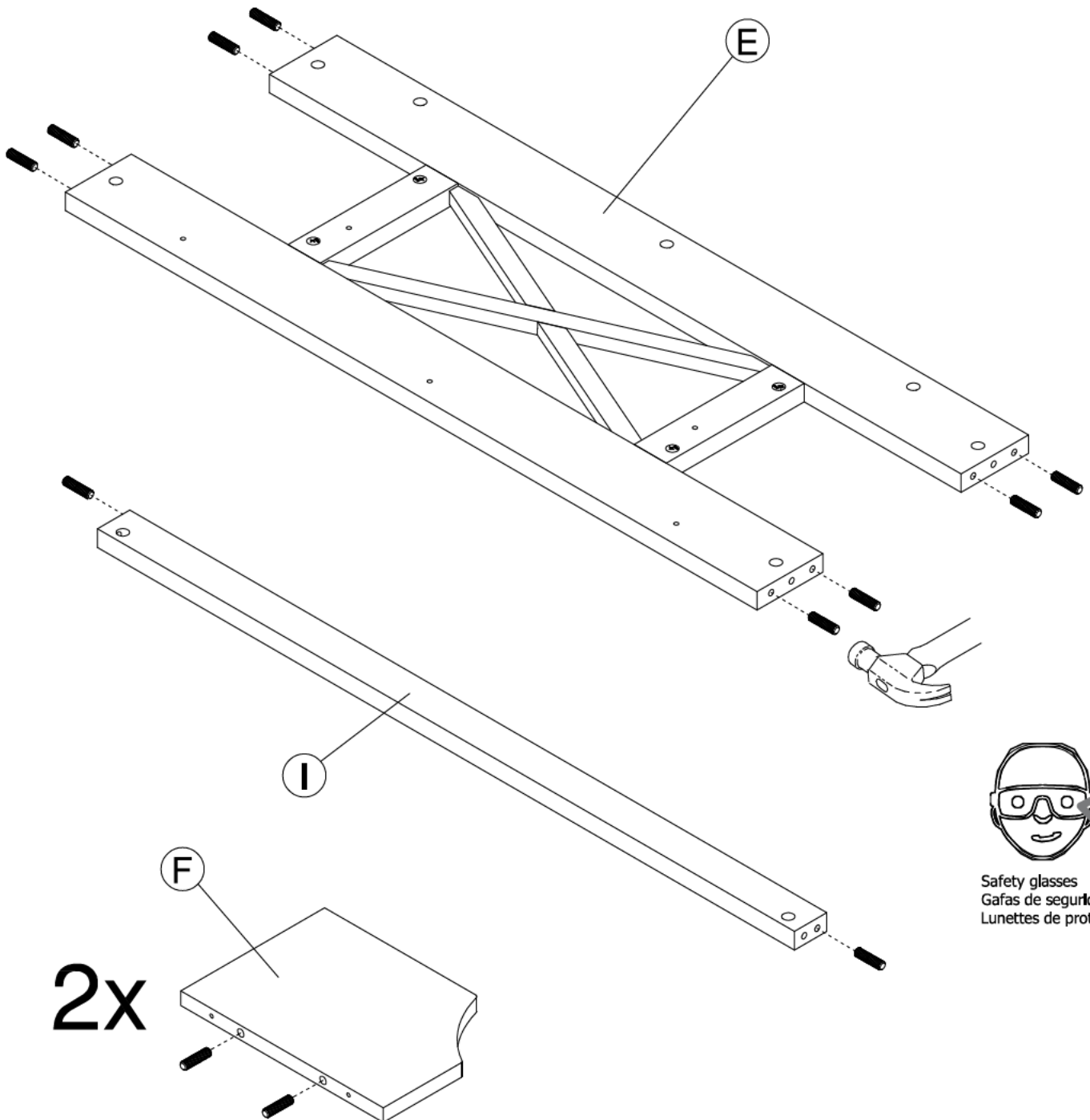
Prepare Panels

H38169



[14]

Wood Dowel
8 x 30mm

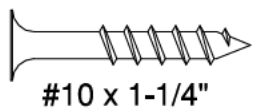


Safety glasses
Gafas de seguridad
Lunettes de protection

STEP 32

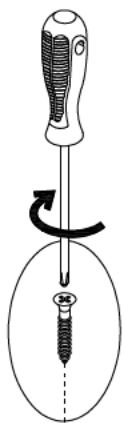
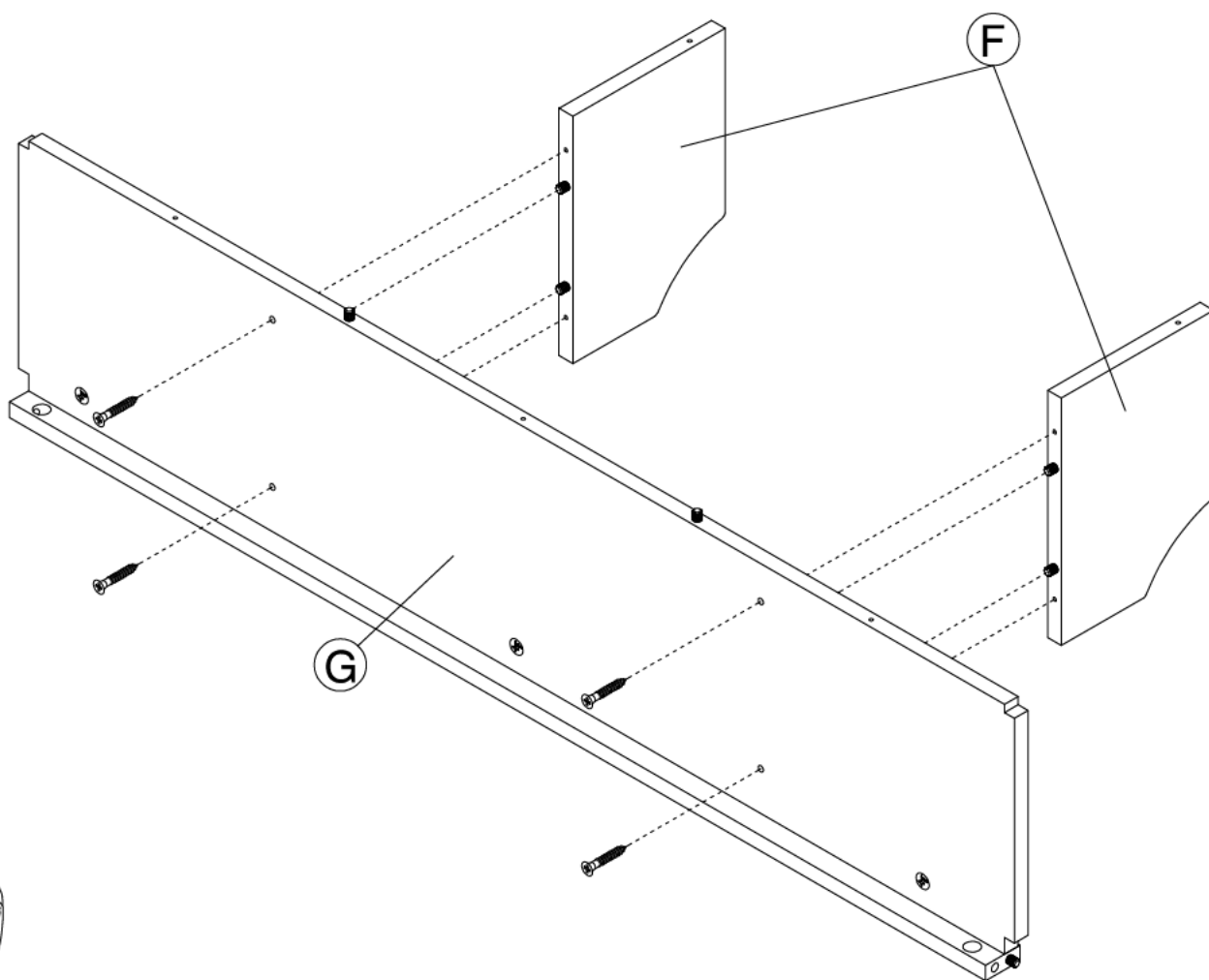
Assemble Panels

H26053



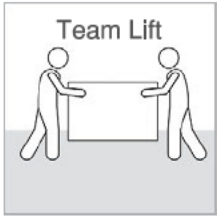
[4]

#10 x 1-1/4"

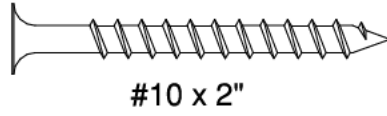


STEP 33

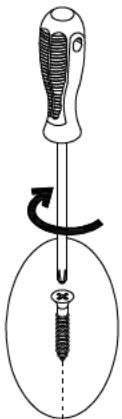
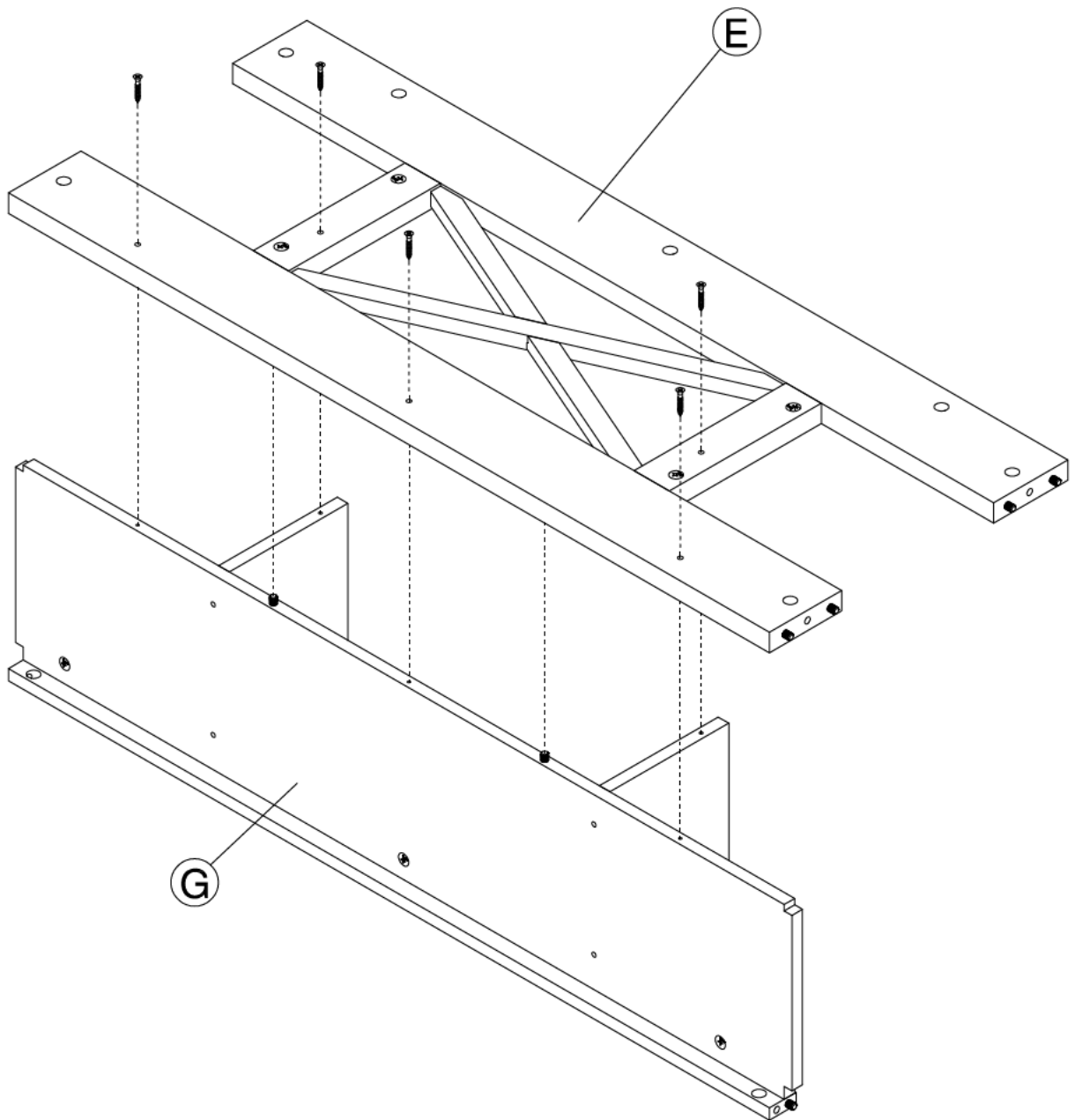
Assemble Panels



H23491



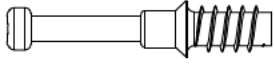
[5]



STEP 34

Prepare Panels

H180604



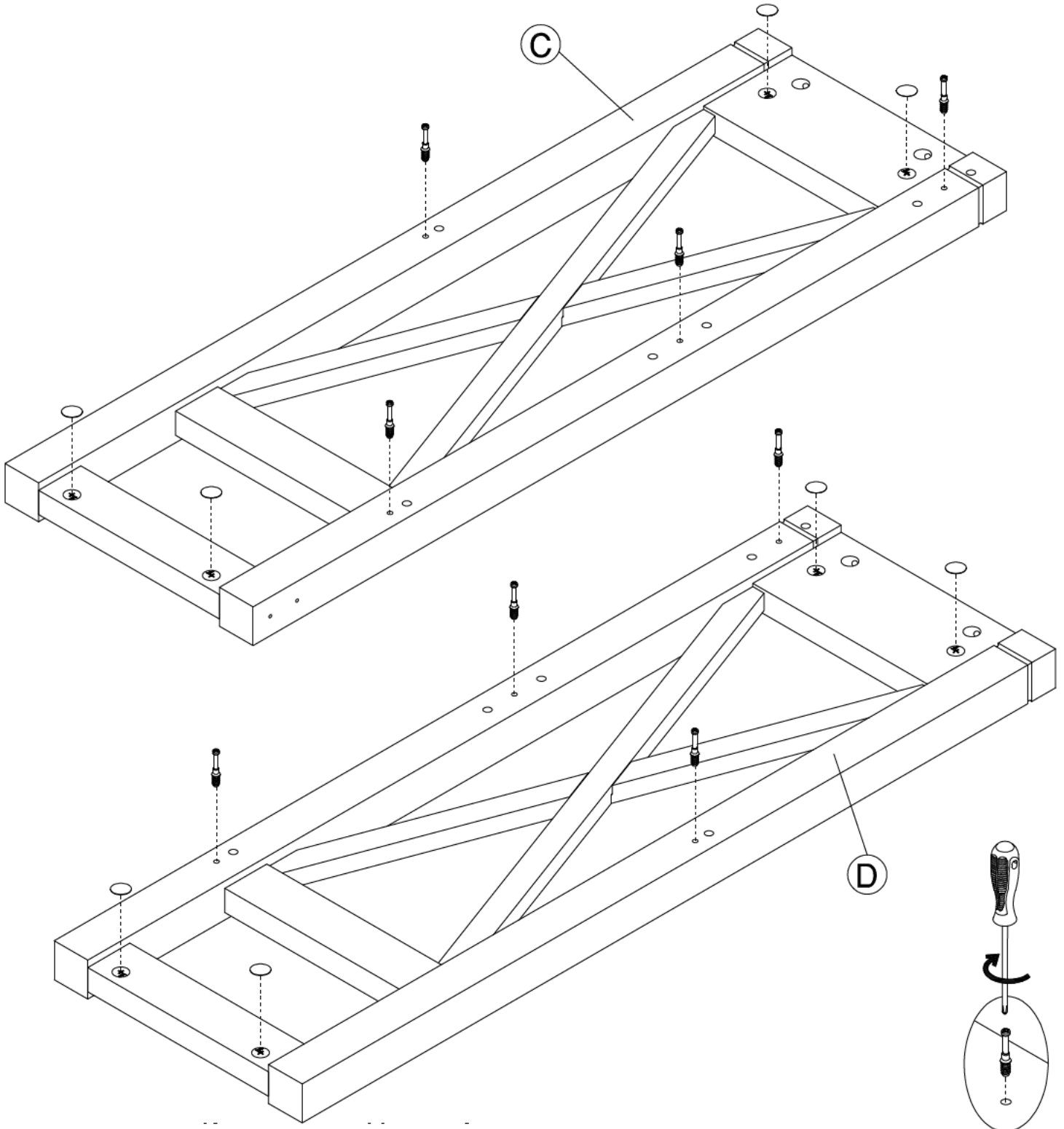
KD Bolt

[8]



Cover Cap

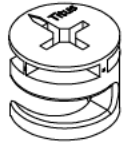
[8]



STEP 35

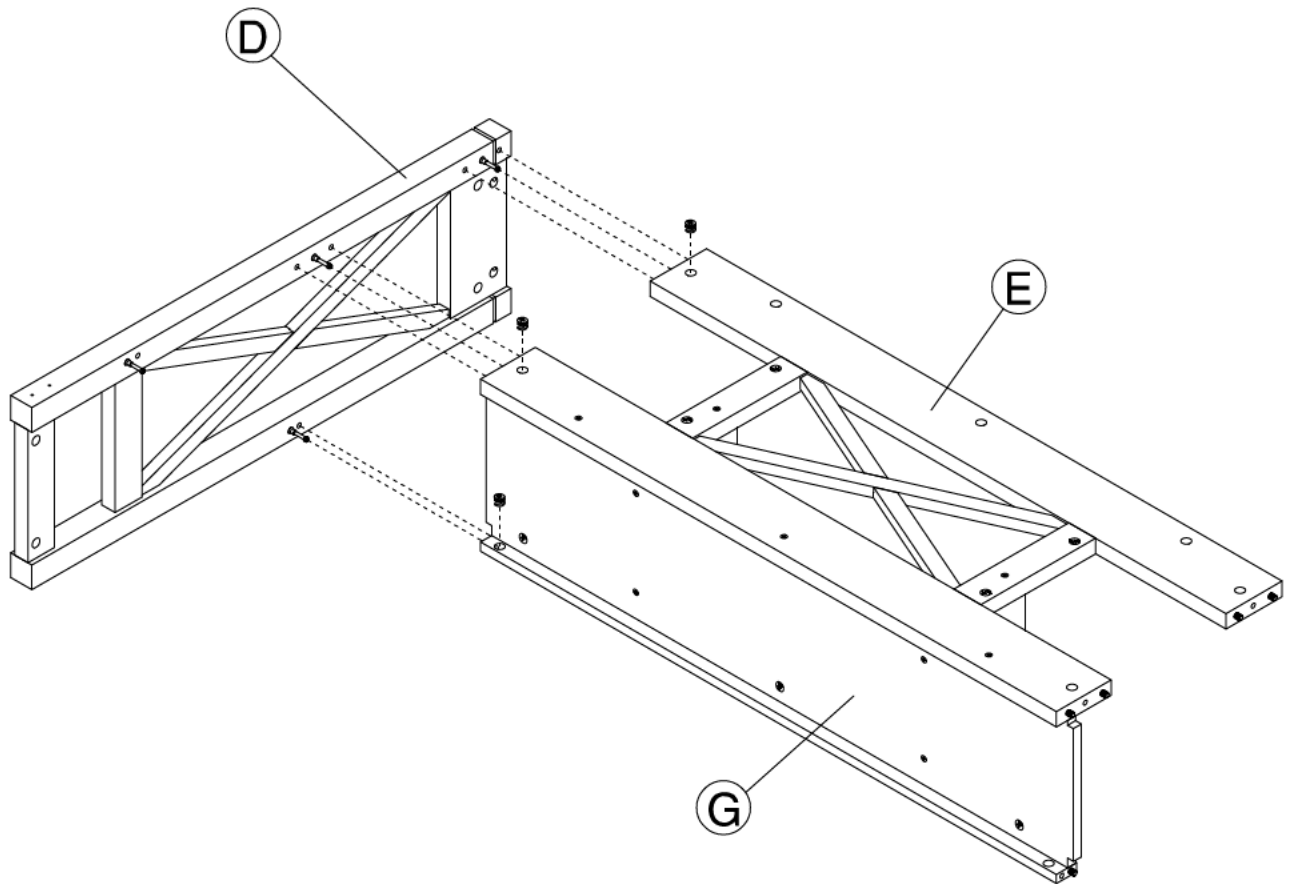
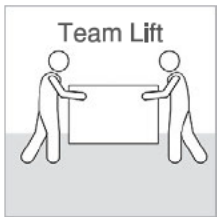
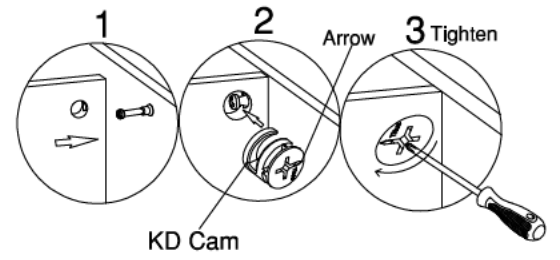
Assemble Panels

H181468



KD Cam

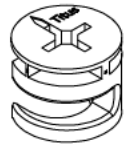
[3]



STEP 36

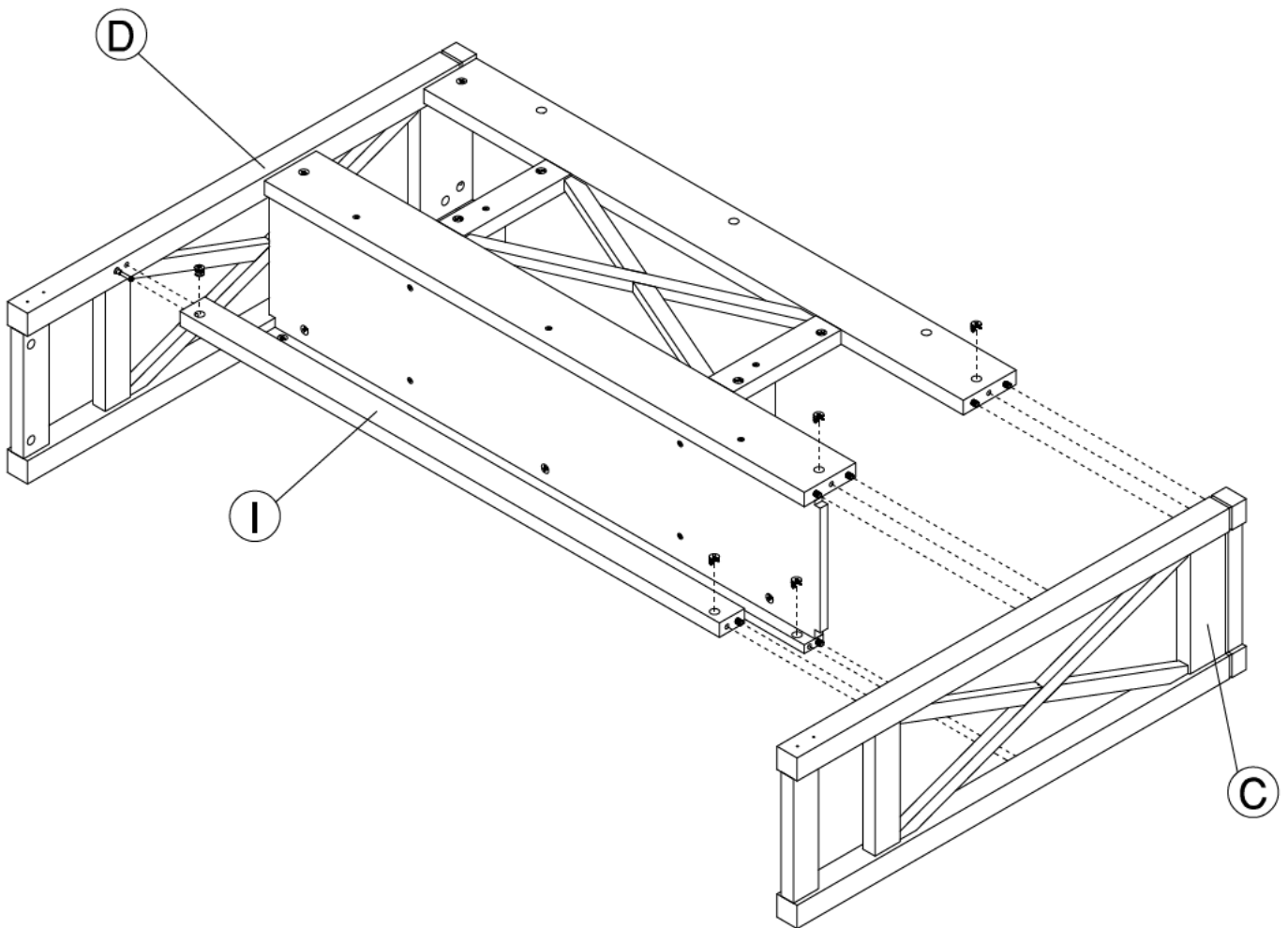
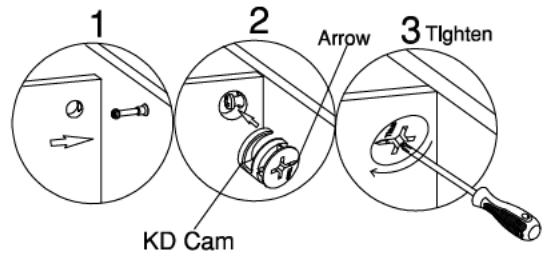
Assemble Panels

H181468



KD Cam

[5]



STEP 37

Prepare Panel

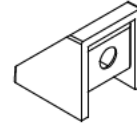
H38169



Wood Dowel
8 x 30mm

[2]

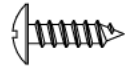
H137197



Plastic Bracket

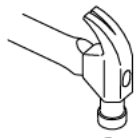
[3]

H101725

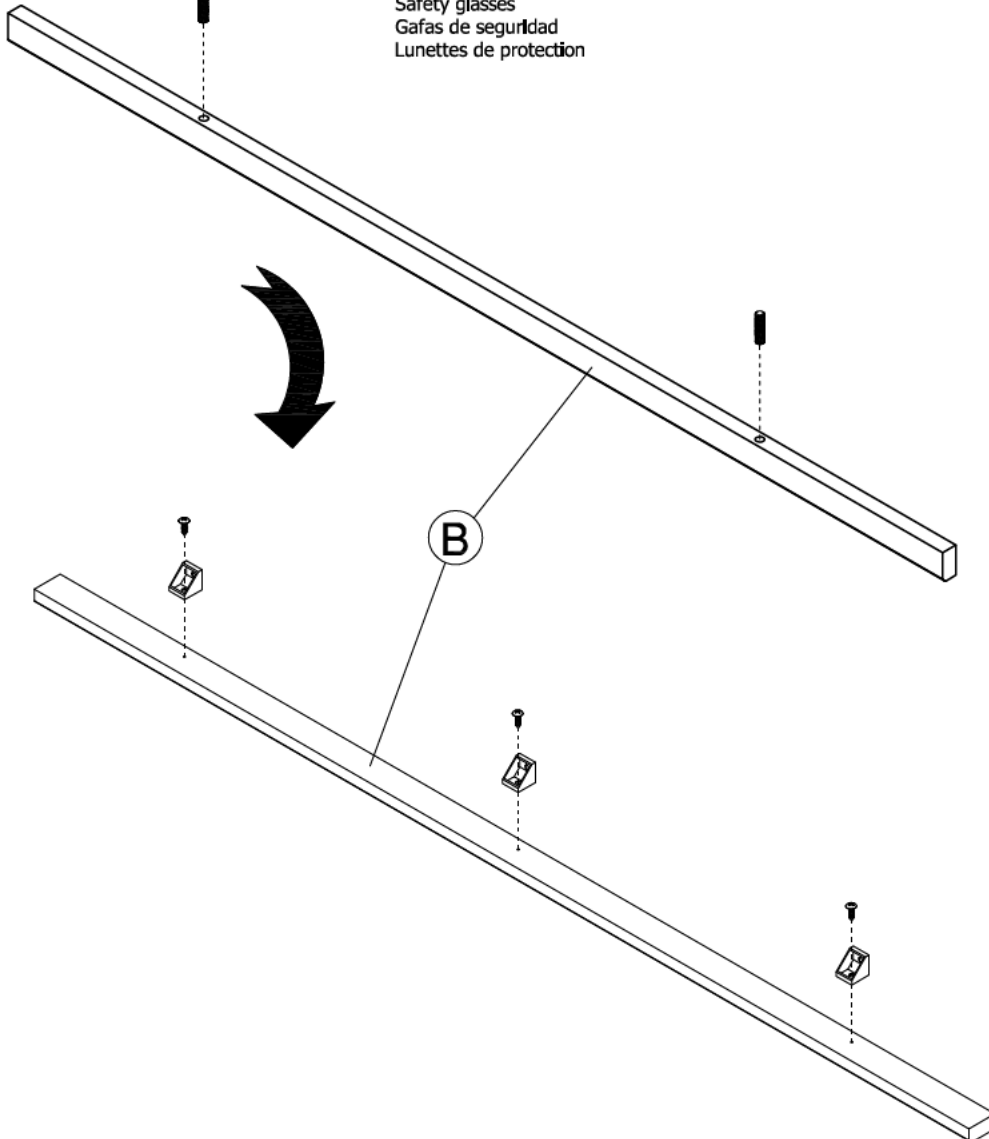
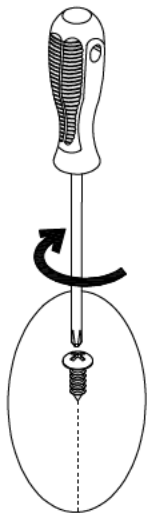


#6 x 1/2"

[3]



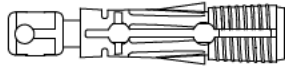
Safety glasses
Gafas de seguridad
Lunettes de protection



STEP 38

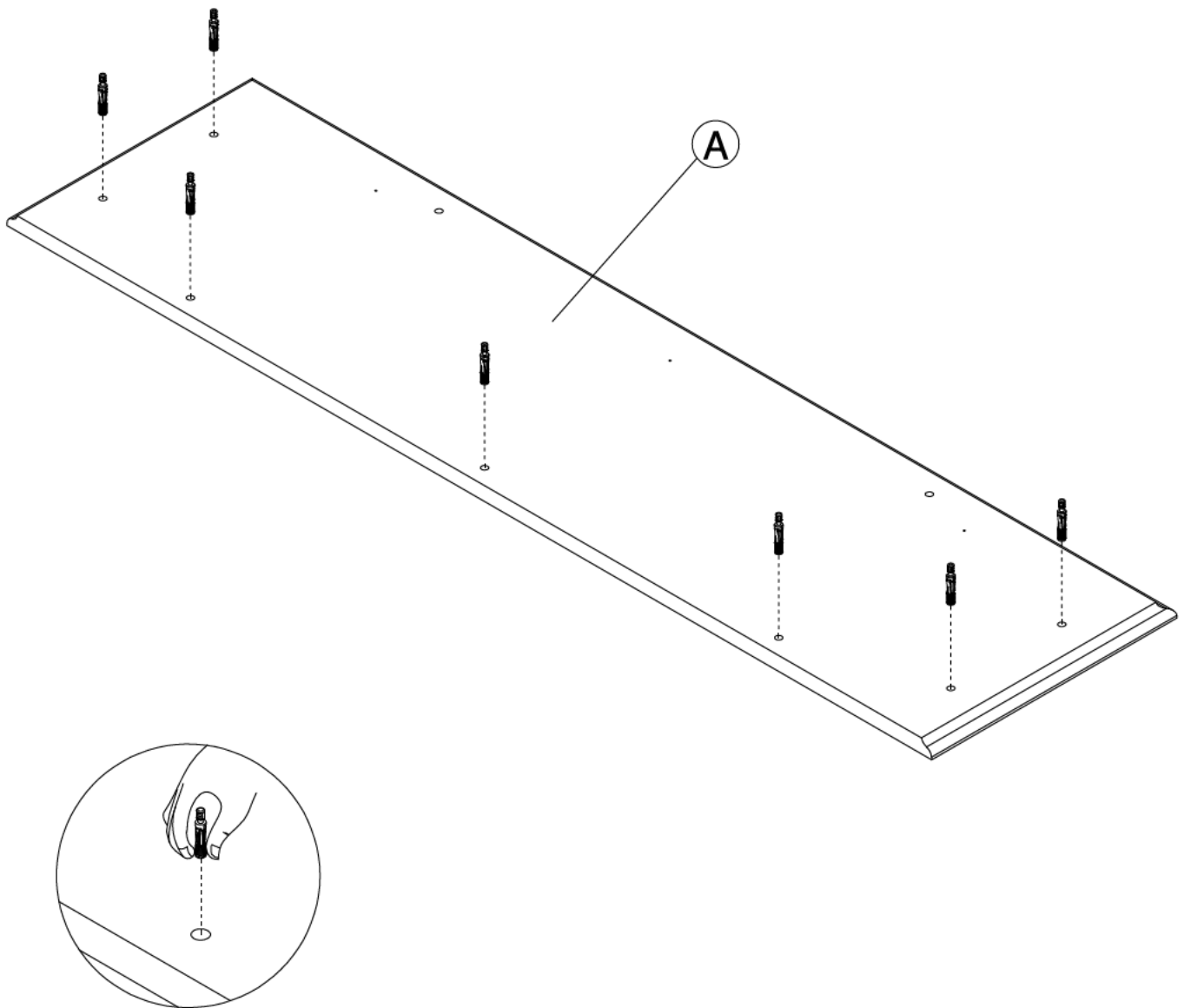
Prepare Panel

H166336



[7]

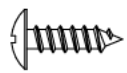
Quick Connect



STEP 39

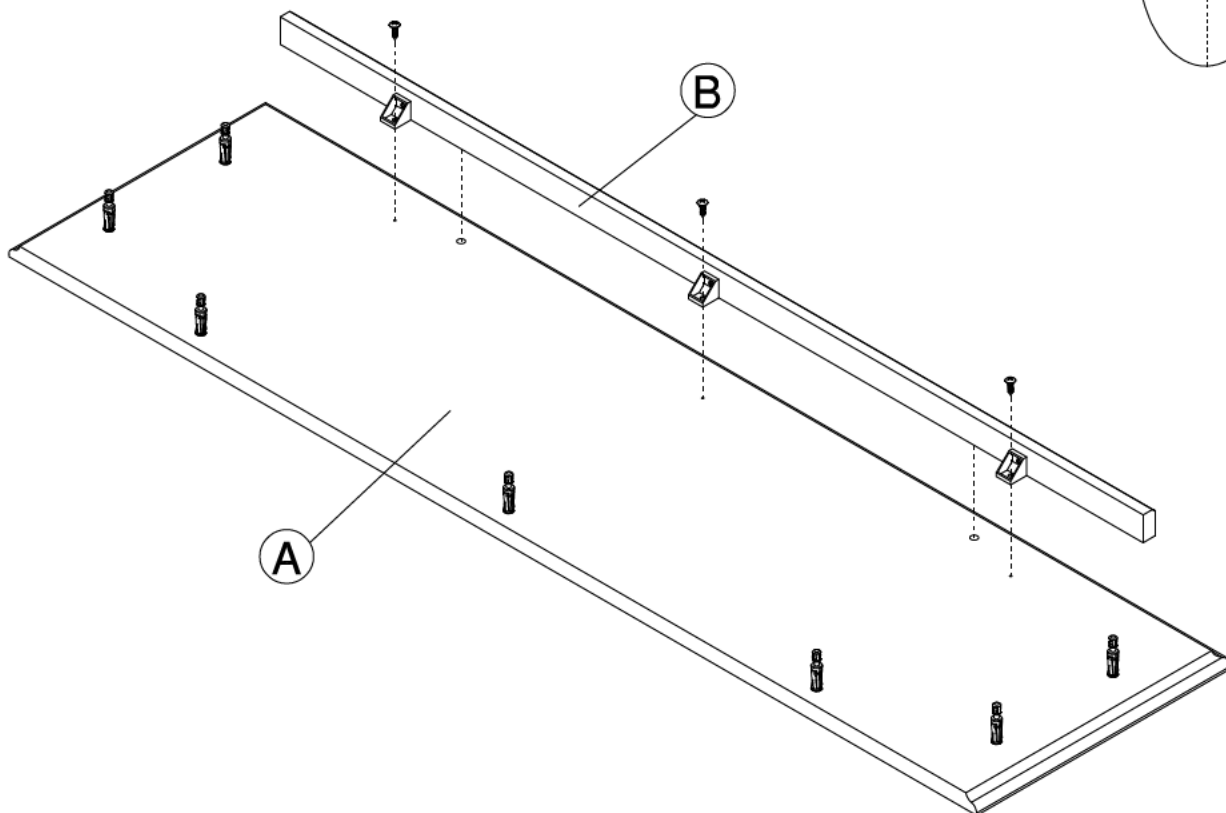
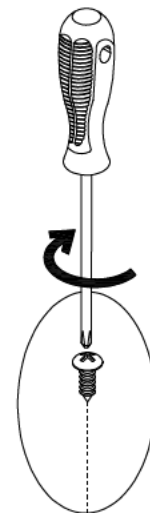
Assemble Panels

H101725



[3]

#6 x 1/2"



STEP 40

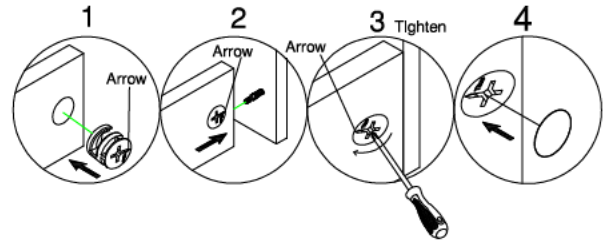
Assemble Panels

H181468



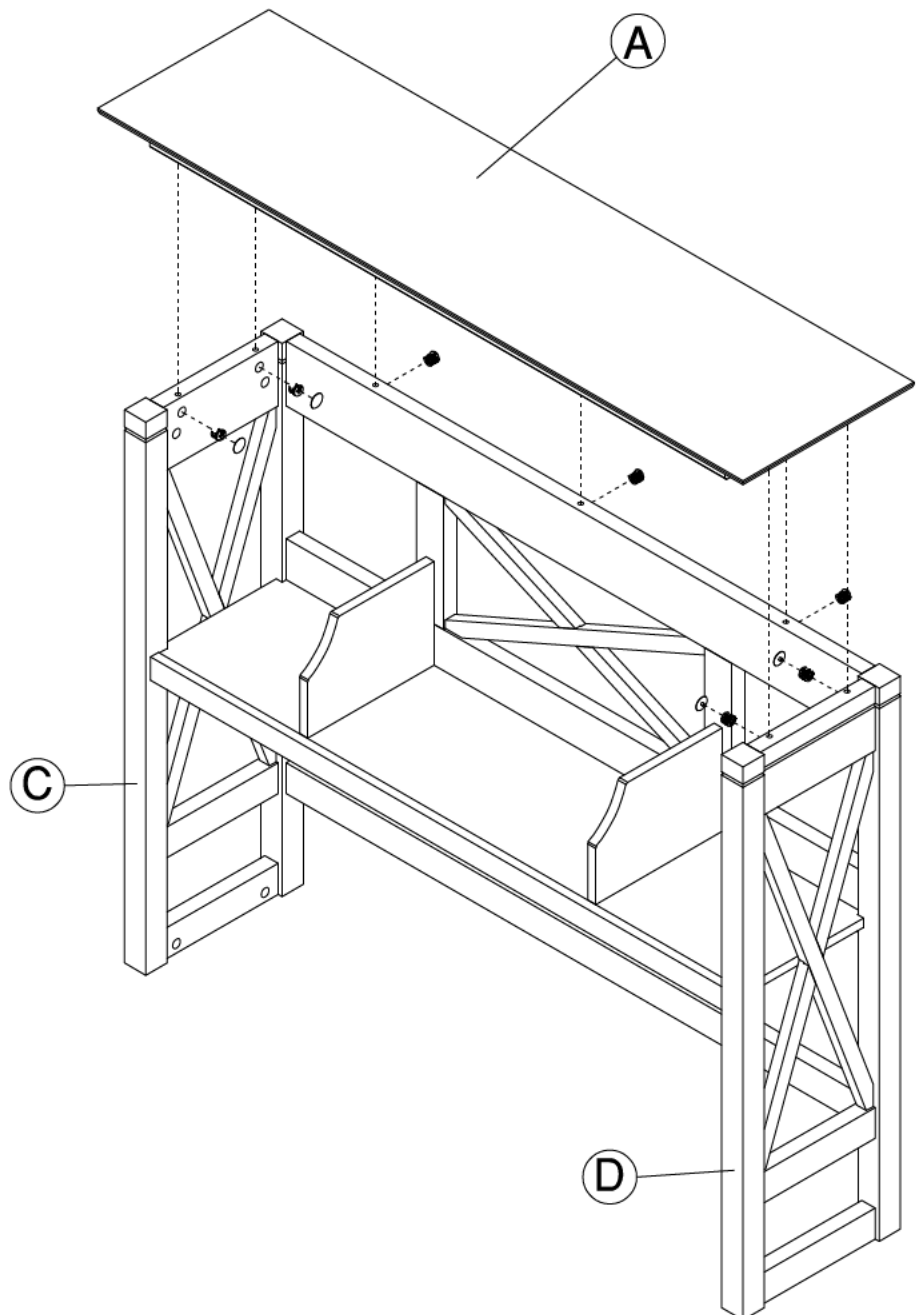
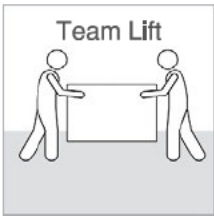
KD Cam

[7]



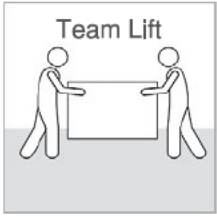
Cover Cap

[4]

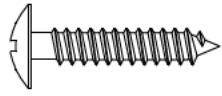


STEP 41

Assemble Panels



H23682



[8]

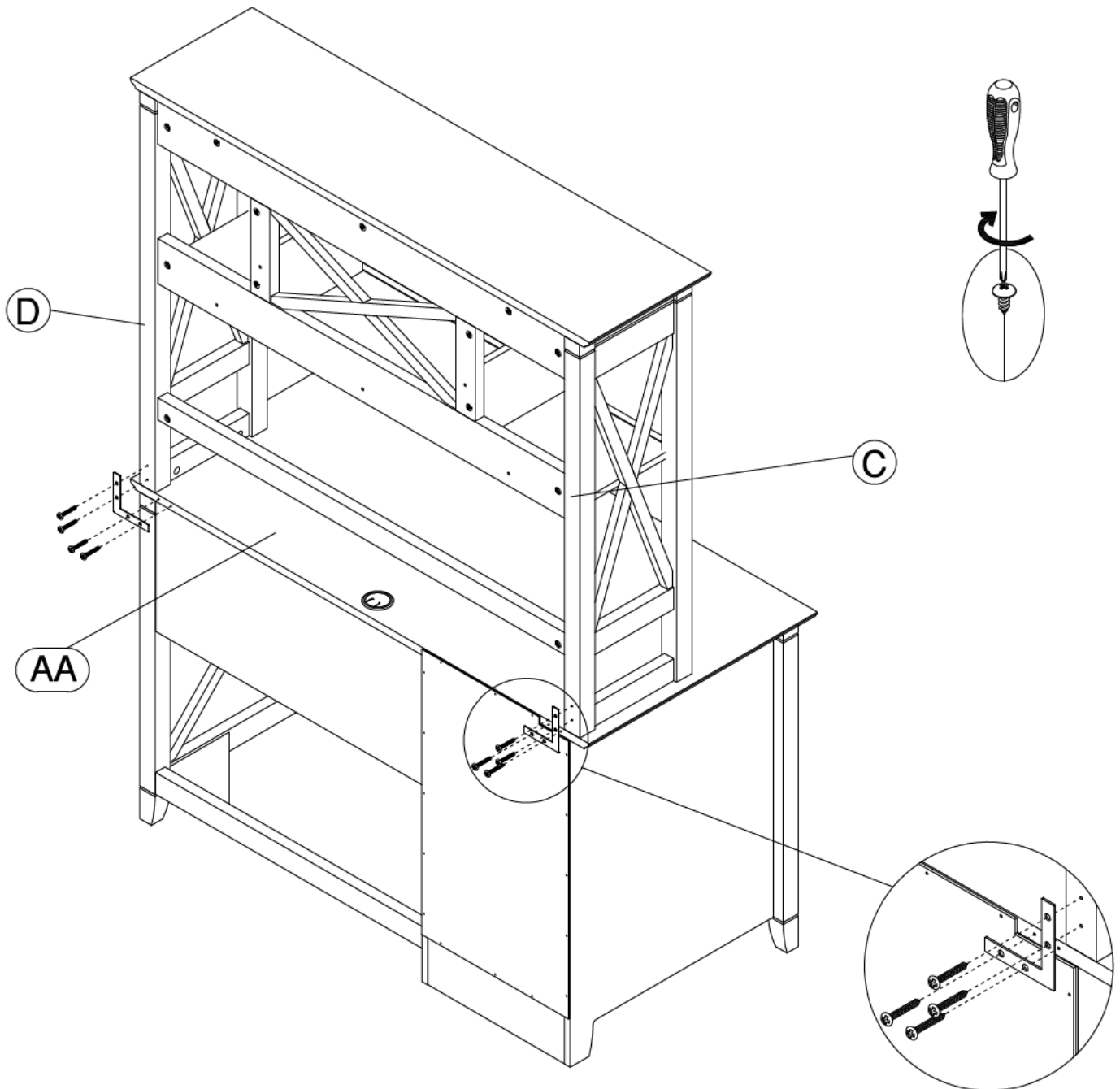
#10 x 1"

H85966



[2]

L Bracket



STEP 42

Maximum Loading and Cleaning

Gently clean surfaces with
a damp sponge eraser.

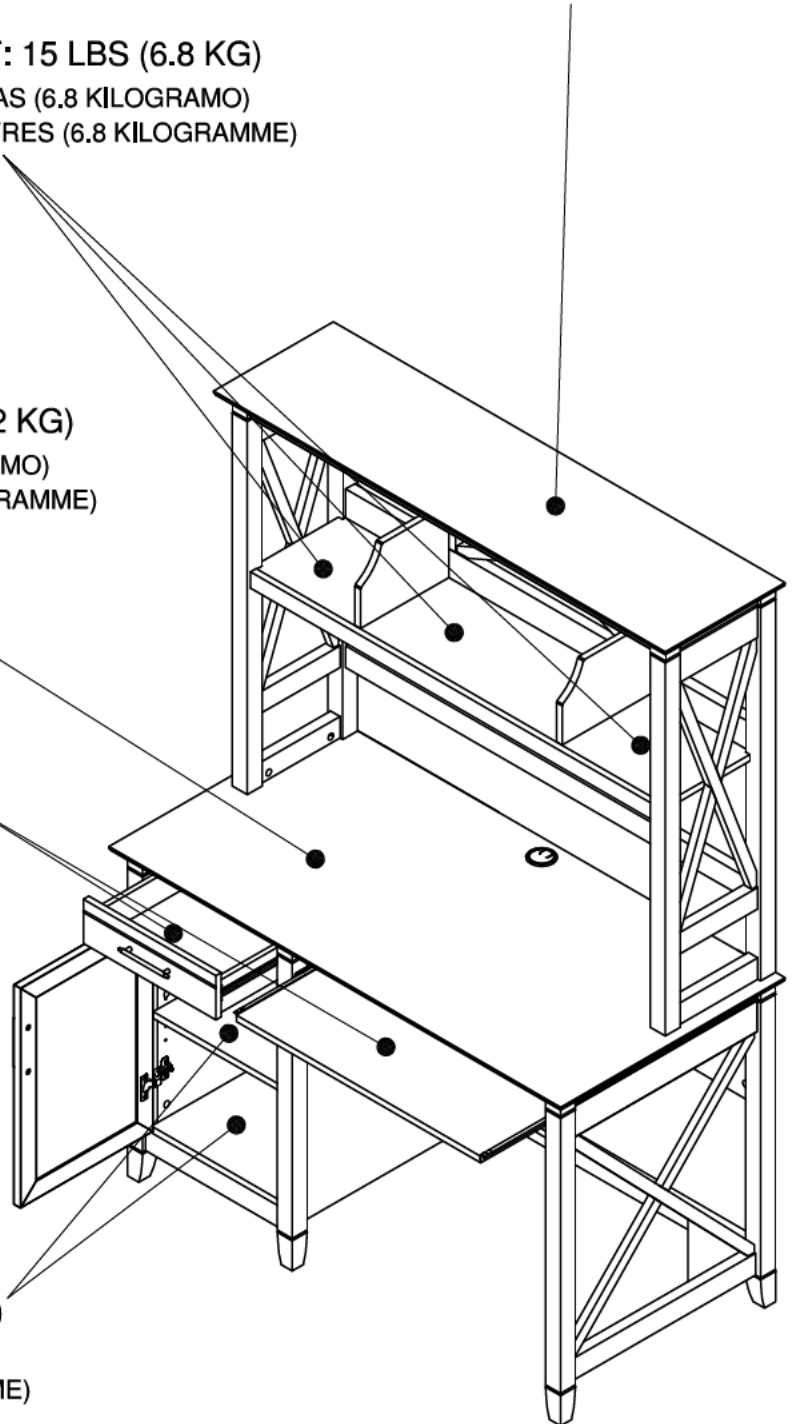
MAXIMUM WEIGHT: 0 LBS (0 KG)
PESO MÁXIMO: 0 LIBRAS (20 KILOGRAMO)
POIDS MAXIMUM: 0 LIVRES (0 KILOGRAMME)

MAXIMUM WEIGHT: 15 LBS (6.8 KG)
PESO MÁXIMO: 15 LIBRAS (6.8 KILOGRAMO)
POIDS MAXIMUM: 15 LIVRES (6.8 KILOGRAMME)

MAXIMUM WEIGHT: 200 LBS (90.72 KG)
PESO MÁXIMO: 200 LIBRAS (90.72 KILOGRAMO)
POIDS MAXIMUM: 200 LIVRES (90.72 KILOGRAMME)

MAXIMUM WEIGHT: 15 LBS (6.8 KG)
PESO MÁXIMO: 15 LIBRAS (6.8 KILOGRAMO)
POIDS MAXIMUM: 15 LIVRES (6.8 KILOGRAMME)

MAXIMUM WEIGHT: 30 LBS (13.61 KG)
PESO MÁXIMO: 30 LIBRAS (13.61 KILOGRAMO)
POIDS MAXIMUM: 30 LIVRES (13.61 KILOGRAMME)



**Congratulations! You are all done. If you
have any questions or concerns, please call.**

Have an assembly question or need a replacement part? Just call
1-800-950-4782, we are here to help.

PARTS LIST

KWD248WG

A [1] W202570	K [1] W202580	U [1] S202590
B [1] W202571	L [1] W202581	V [1] W202591
C [1] S202572	M [1] W202582	W [1] W202592
D [1] S202573	N [1] W202583	X [1] W202593
E [1] S202574	O [1] W202584	Y [1] W202594
F [2] W202575	P [1] W202585	Z [1] W202595
G [1] W202576	Q [1] W202586	AA [1] W202596
H [1] W202577	R [1] W202587	BB [1] W202597
I [1] W202578	S [1] W202588	CC [1] W202598
J [1] W202579	T [1] W202589	DD [1] W202599
		EE [1] W202600
		FF [1] S202601

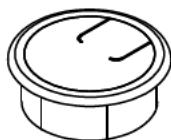
H180730



[23]

Cover Cap

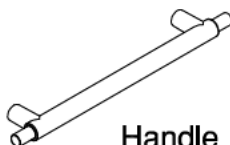
H202823



[1]

Grommet

H180971



[2]

Handle

PARTS LIST

KWD248BC

A [1] W202602	K [1] W202612	U [1] S202622
B [1] W202603	L [1] W202613	V [1] W202623
C [1] S202604	M [1] W202614	W [1] W202624
D [1] S202605	N [1] W202615	X [1] W202625
E [1] S202606	O [1] W202616	Y [1] W202626
F [2] W202607	P [1] W202617	Z [1] W202627
G [1] W202608	Q [1] W202618	AA [1] W202628
H [1] W202609	R [1] W202619	BB [1] W202629
I [1] W202610	S [1] W202620	CC [1] W202630
J [1] W202611	T [1] W202621	DD [1] W202631
		EE [1] W202632
		FF [1] S202633

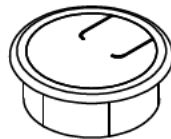
H159346



[23]

Cover Cap

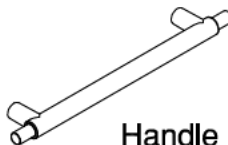
H118700



[1]

Grommet

H180971



[2]

Handle

PARTS LIST

KWD248WT

A [1] W202634	K [1] W202644	U [1] S202654
B [1] W202635	L [1] W202645	V [1] W202655
C [1] S202636	M [1] W202646	W [1] W202656
D [1] S202637	N [1] W202647	X [1] W202657
E [1] S202638	O [1] W202648	Y [1] W202658
F [2] W202639	P [1] W202649	Z [1] W202659
G [1] W202640	Q [1] W202650	AA [1] W202660
H [1] W202641	R [1] W202651	BB [1] W202661
I [1] W202642	S [1] W202652	CC [1] W202662
J [1] W202643	T [1] W202653	DD [1] W202663
		EE [1] W202664
		FF [1] S202665

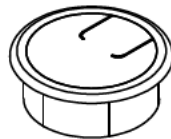
H192368



[23]

Cover Cap

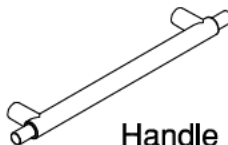
H195624



[1]

Grommet

H180971



[2]

Handle

PARTS LIST

KWD248CG

A [1] W202666	K [1] W202676	U [1] S202686
B [1] W202667	L [1] W202677	V [1] W202687
C [1] S202668	M [1] W202678	W [1] W202688
D [1] S202669	N [1] W202679	X [1] W202689
E [1] S202670	O [1] W202680	Y [1] W202690
F [2] W202671	P [1] W202681	Z [1] W202691
G [1] W202672	Q [1] W202682	AA [1] W202692
H [1] W202673	R [1] W202683	BB [1] W202693
I [1] W202674	S [1] W202684	CC [1] W202694
J [1] W202675	T [1] W202685	DD [1] W202695
		EE [1] W202696
		FF [1] S202697

H186180



[23]

Cover Cap

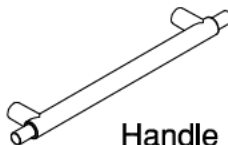
H202824



[1]

Grommet

H200219



[2]

Handle

THIS PAGE INTENTIONALLY LEFT BLANK

WARRANTY INFORMATION/INFORMATIONS POUR LA GARANTIE/INFORMACIÓN DE GARANTÍA

WRITTEN WARRANTY TO YOU

In order to provide you with timely assistance, please thoroughly inspect your furniture for missing or defective parts immediately after opening the carton. To receive replacement or missing parts under this warranty, call our Consumer Service Department

Please have the Model, Part, s found in the instruction manual available for your reference. You will also need your sales receipt or other proof of purchase. Replacement part(s) will be shipped to you at no charge with Bush Industries assuming all shipping and handling charges.

This Bush Furniture product is warranted to the original purchaser at the time of purchase and for a period of one year thereafter.

We warrant to you, the original purchaser, that our furniture and all its parts and components are free of defects in material or workmanship. "Defects," as used in this warranty, is defined as any imperfection which impairs the use of the furniture product.

Our warranty is expressly limited to the replacement of furniture parts and components. For one year after the date of purchase, Bush will replace any parts that are defective in material or workmanship.

This warranty applies under conditions of normal use. Our Bush Furniture products are not intended for outdoor use. This warranty does not cover: 1) defects caused by improper assembly or disassembly; 2) defects occurring after purchase due to product modification, intentional damage, accident, misuse, abuse, negligence or exposure to the elements; and 3) labor or assembly costs. Batteries not included in warranty

IMPLIED WARRANTIES, INCLUDING THE WARRANTY OF MERCHANTABILITY, SHALL NOT EXTEND BEYOND THE DURATION OF THE WRITTEN WARRANTY STATED ABOVE, AND IN NO EVENT SHALL BUSH BE LIABLE FOR INCIDENTAL OR CONSEQUENTIAL DAMAGES RESULTING FROM USE OF THE PRODUCT. Some states do not allow a limitation on how long an implied warranty lasts or the exclusion or limitation of incidental or consequential damages, so the above limitation and exclusion may not apply to you.

This warranty gives you specific legal rights. You may also have other rights that may vary from state to state.

VOTRE GARANTIE

Afin de vous assister rapidement, veuillez inspecter votre mobilier en détail immédiatement après l'ouverture du carton en cas de pièces manquantes ou défectueuses. Pour recevoir une pièce de rechange ou manquante couverte par cette garantie, appelez notre département de service clientèle

Veuillez tenir à disposition les numéros de modèle, de pièce et de lot qui se trouvent dans le manuel d'instruction pour votre référence. Vous aurez également besoin de votre reçu ou d'une autre preuve d'achat. La (les) pièce(s) de rechange vous sera (seront) envoyée(s) sans frais, Bush Industries se chargeant de tous les frais d'expédition.

Tout le produit Bush Furniture est garanti à l'acheteur original à partir de la date d'achat pour une période d'un an.

Nous vous garantissons, à vous l'acheteur original, que notre mobilier et toutes ses pièces et composants sont sans défaut de matériau ou de fabrication. Le terme "défauts" utilisé dans cette garantie, est défini comme étant toutes les imperfections qui compromettent l'utilisation du meuble.

Notre garantie est expressément limitée au remplacement des pièces et des composants du mobilier. Pendant un an après la date d'achat, Bush remplacera toute pièce défectueuse dans le matériau ou sa fabrication.

Cette garantie d'applique sous des conditions d'utilisation normale. Nos produits ne sont pas destinés à être utilisés en plein air. Cette garantie ne couvre pas: 1) les défauts causés par un mauvais assemblage ou démontage; 2) les défauts ayant lieu après l'achat et dus à la modification du produit, des dommages intentionnels, des accidents, une mauvaise utilisation, un mauvais traitement, la négligence ou l'exposition aux éléments, et 3) les frais de main d'œuvre ou d'assemblage. Piles non incluses dans la garantie.

LES GARANTIES TACITES, Y COMPRIS LA GARANTIE DE QUALITE MARCHANDE, NE S'ETENDRONT PAS AU-DELA DE LA DUREE ECRITE CITEE CI-DESSUS, ET BUSH NE SERA EN AUCUN CAS RESPONSABLE DES DOMMAGES ACCESSOIRES OU INDIRECTS RESULTANT DE L'UTILISATION DU PRODUIT. Certains états ne permettent pas d'appliquer une limite à la durée de la garantie tacite, ni une exclusion ou limitation des dommages accessoires ou indirects; dans ce cas les limitations ou exclusion ci-dessus peuvent ne pas s'appliquer à vous.

Cette garantie vous donne des droits légaux spécifiques. Il se peut que vous ayez également d'autres droits qui peuvent varier d'un état à l'autre.

GARANTIA ESCRITA DE PARA USTED

Para brindarle asistencia oportuna, por favor, verifique detalladamente que a su mueble no le falte o tenga piezas defectuosas inmediatamente después de abrir la caja. Para recibir un reemplazo o la parte faltante bajo esta garantía, llame a nuestro Departamento de Servicio al Consumidor

Sírvase traer los números de modelo, parte y lote que se encuentran en el manual de instrucciones disponible para su referencia. Además, necesitará el recibo de su compra u otra prueba de compra. La(s) pieza(s) de reemplazo le será(n) enviada(s) sin recargo por Bush Industries asumiendo los gastos de envío y manipuleo.

Todo mueble de Bush Furniture es garantizado al comprador original al momento de la compra y por un periodo de uno año en adelante.

Le garantizamos a usted, el comprador original, que nuestros muebles sus partes y componentes están libres de defectos en materiales o trabajo. "Defectos", según se usa en esta garantía, se define como una imperfección que perjudica el uso del producto mobiliario.

Nuestra garantía se limita expresamente al reemplazo de partes y componentes mobiliarios. Durante uno año después de la fecha de compra, Bush reemplazará cualquier parte defectuosa en material o trabajo.

Esta garantía se aplica bajo condiciones de uso normal. Nuestros productos de Bush Furniture no son para uso en exteriores. Esta garantía no cubre: 1) defectos causados por un ensamblaje o desensamblaje inadecuado; 2) defectos que ocurran después de la compra debido a modificación del producto, daño intencional, accidente, mal uso, abuso, negligencia o exposición a los elementos; y 3) costos de trabajo o ensamblaje. Baterías no incluidas en la garantía.

LAS GARANTÍAS IMPLICADAS, INCLUYENDO LA GARANTÍA DE COMERCIABILIDAD, NO SE EXTENDERÁN MÁS ALLÁ DE LA DURACIÓN DE LA GARANTÍA ESCRITA MENCIONADA, Y EN NINGÚN CASO BUSH SERÁ RESPONSABLE POR DAÑOS INCIDENTALES O CONSIGUIENTES COMO RESULTADO DEL USO DEL PRODUCTO. Algunos estados no permiten una limitación sobre el tiempo de duración de la garantía implicada o la exclusión o limitación de daños incidentales o consiguientes, de manera que la limitación y exclusión mencionadas pueden no aplicarse para usted.

Esta garantía le otorga derechos legales específicos. Puede también tener otros derechos que pueden variar según los estados.